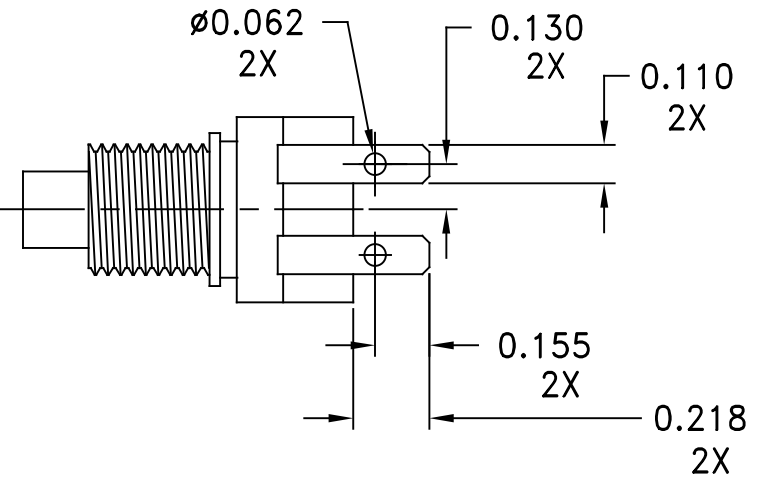
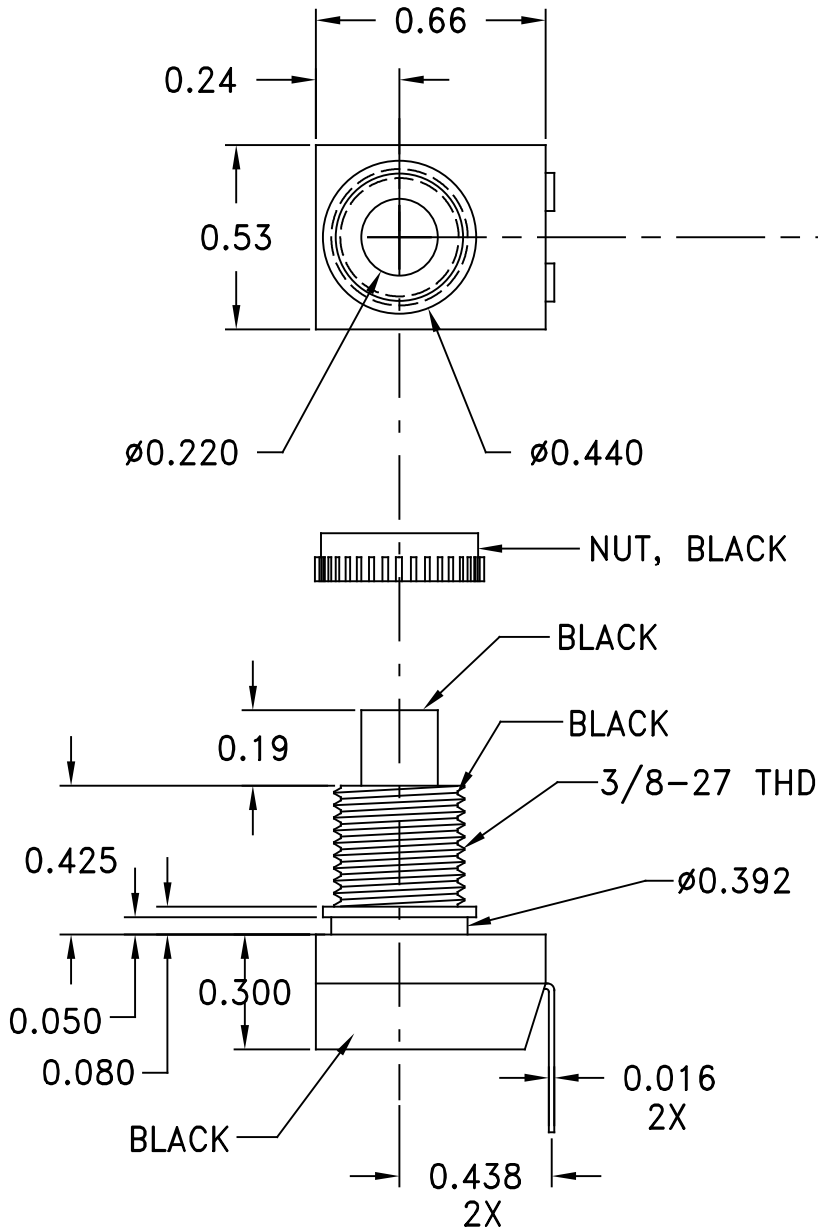


LTR	EN	DESCRIPTION	APPR	BY	DATE
A	-	INITIAL RELEASE	RB	DC	06-24-03
B	-	CORRECTED INVENTORY NUMBER AND UPDATED SWITCH DESCRIPTION	MT	DC	06-15-12

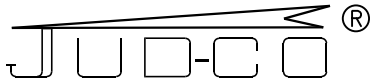


JUDCO INVENTORY NO. 40-3425-03  
 SWITCH TYPE: MOMENTARY, NORMALLY OPEN  
 NUT INCLUDED

CUSTOMER:

APPROVED BY: \_\_\_\_\_

DATE: \_\_\_\_\_

DIMENSIONS IN INCHES DIMENSIONS ARE REFERENCE	 HARBOR CITY CALIFORNIA	
	TITLE <b>OUTLINE</b> J-188A-2S 512 NON UL	
DRAWN: DC 06-24-03	DWG. NO. 1415-425	
APPR: KJ 06-24-03	SHEET	
ENG'G: IS 06-15-12	1 OF 1	
1415U425B.DWG		