

1. 製品名称／PRODUCT NAME : PICO-EZ MATE H=1.2mm 1.2 WB RECEPTACLE HSG

製品番号／PART NUMBER : 2026542**1

(**は極数を示す)

(** IS CIRCUITS SIZE)

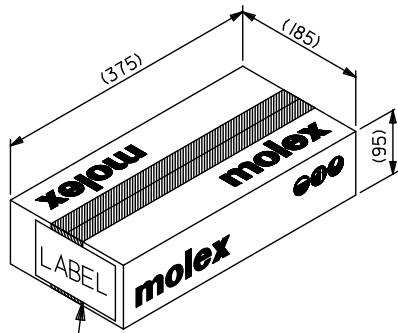
2. 標準梱包数／STANDARD PACKAGING QUANTITY

極数 CKT. SIZE	ポリ袋 POLY BAG	内装カートン PRIMARY CARTON		外装カートン SHIPPING CARTON
	1袋中の製品数 QUANTITY IN ONE BAG	ポリ袋の数 NUMBER OF POLY BAG	製品数 QUANTITY	製品数(内装カートン×2) QUANTITY (PRIMARY CARTON X2)
2	10,000	15	150,000	300,000

REV.	A				
SHEET	1~2				
REVISE ON PC ONLY		TITLE:			
A	RELEASED 115730 2017/04/14 Y.TOKUZONO		202654 梱包仕様書 SALES PACKAGING SPEC. FOR 202654		
	THIS DOCUMENT CONTAINS INFORMATION THAT IS PROPRIETARY TO MOLEX ELECTRONIC TECHNOLOGIES, LLC AND SHOULD NOT BE USED WITHOUT WRITTEN PERMISSION				
REV.	DESCRIPTION				
DESIGN CONTROL J		STATUS	WRITTEN BY: YTOKUZONO	CHECKED BY: K.TAKAHASHI	APPROVED BY: M.SASAO
					DATE: 2017/04/13

DOCUMENT NUMBER 2026549200	DOC. TYPE PS	DOC. PART 200	CUSTOMER GENERAL	SHEET 1 OF 2
-------------------------------	-----------------	------------------	---------------------	-----------------

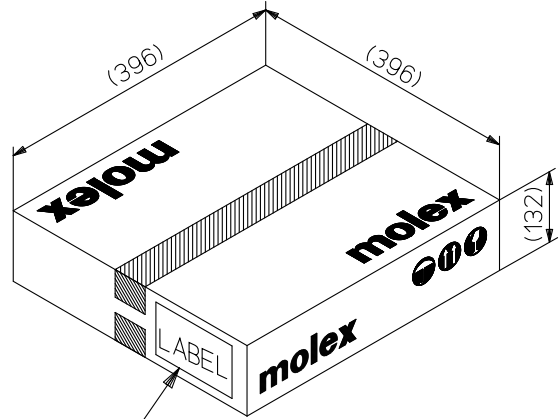
3. カートン外形参考寸法 / CARTON OUTER DIMENSIONS (REFERENCE PURPOSE ONLY) 単位 / UNIT: mm



カートンラベル
CARTON LABEL

(製品型番, 数量, ロットNO. 表示)
INDICATION OF PART No., QUANTITY, LOT No.

内装カートン
PRIMARY CARTON



カートンラベル
CARTON LABEL

(製品型番, 数量, ロットNO. 表示)
INDICATION OF PART No., QUANTITY, LOT No.

外装カートン
SHIPPING CARTON

REVISE ON PC ONLY		TITLE:			
A	SEE SHEET 1 OF 2	202654 梱包仕様書 SALES PACKAGING SPEC. FOR 202654			
	REV.	DESCRIPTION	THIS DOCUMENT CONTAINS INFORMATION THAT IS PROPRIETARY TO MOLEX ELECTRONIC TECHNOLOGIES, LLC AND SHOULD NOT BE USED WITHOUT WRITTEN PERMISSION		
DOCUMENT NUMBER 2026549200		DOC. TYPE PS	DOC. PART 200	CUSTOMER GENERAL	SHEET 2 OF 2