

# Precision Test Adapters

## 1.85 mm(F) to 2.92 mm(F) : Right Angle type

**Withwave's Precision Test Adapters** are designed based on precision microwave interconnection technologies. This 1.85 mm(F) to 2.92 mm(F) **Right Angle adapter** is manufactured to precise microwave specifications and constructed with female gender on side 1 and female gender on side 2. The precision microwave connector interfaces ensure an excellent microwave performance up to 40 GHz



### ■ Features

- Frequency range : DC to 40 GHz
- VSWR(Max) : 1.20 : 1
- Body : Stainless steel (passivated)

### ■ Specification

Scope	Specification	AD01F03FR1
Electrical	Impedance(Ohm)	50
	Operation Freq.(GHz)	DC to 40 GHz
	VSWR (Max)	1.20 : 1
Material	Dielectric	Special dielectric
	Center Contact	Brass with gold plated
	Body	Passivated Stainless Steel

\* RoHS Compliant

# Precision Test Adapters

1.85 mm(F) to 2.92 mm(F) : Right Angle type

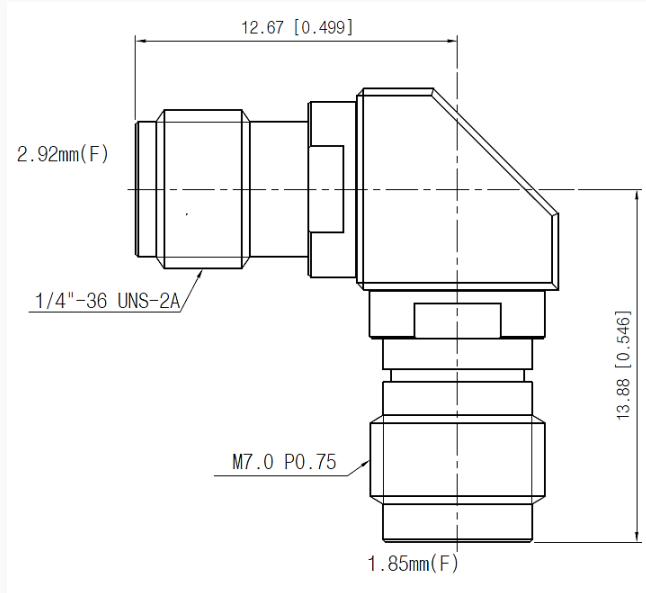
withwave

Versatile RF & MW Test Solutions

## ■ Drawing

Part No.: AD01F03FR1

Unit : mm[inch]



## ■ Test Result

▪ Frequency : 10 MHz to 40 GHz

