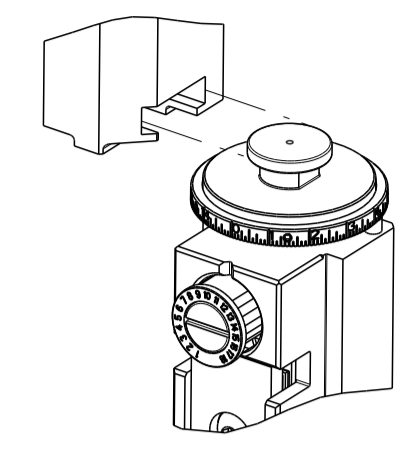


| PART NUMBER | REVISION | DESCRIPTION                      | FEED TYPE  |
|-------------|----------|----------------------------------|------------|
| 2151422-1   | C        | FINE CRIMP HEIGHT ADJUST         | MECHANICAL |
| 2151422-2   | C        | FINE CRIMP HEIGHT ADJUST         | PNEUMATIC  |
| 7-2151422-1 | C        | MECHANICAL AND CRIMP TOOLING KIT | MECHANICAL |
| 7-2151422-2 | C        | PNEUMATIC AND CRIMP TOOLING KIT  | PNEUMATIC  |
| 7-2151422-7 | A        | CRIMP TOOLING KIT                | -          |

ATLANTIC VERSION TERMINATOR INTERFACE ADAPTER



APPLICATOR DATA

| CRIMP | SIZE           | TYPE |
|-------|----------------|------|
| WIRE  | 1.35 mm [.053] | F    |
| INSUL | 1.55 mm [.061] | O    |

APPLICATOR INSTRUCTIONS  
408-35042

TERMINAL DATA: YAZAKI TERMINAL YAZAKI CRIMP SPECIFICATION

TERMINAL NAME: KAIZEN 0.64 TERMINAL MALE

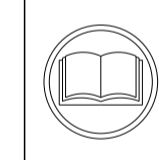
| WIRE STRIP LENGTH           | INSULATION DIAMETER RANGE    |
|-----------------------------|------------------------------|
| 4.50-5.00 mm [.177-.197 IN] | Ø1.50-1.85 mm [.059-.073 IN] |

TERMINAL APPLICATION SPECIFICATION YAZAKI Rev WA1791

TERMINALS APPLIED

| TE TERMINAL | YAZAKI TERMINAL | TE TERMINAL | YAZAKI TERMINAL |
|-------------|-----------------|-------------|-----------------|
| 1642948-1   | 7114-4618-02    | 1642772-1   | 7116-4618-02    |
| 1949674-1   | 7116-5231-08    | 3311490-1   | 7116-4618-08    |

| WIRE SIZE         | CRIMP HEIGHT mm [INCH]     | CRIMP HEIGHT REFERENCE SETTING |
|-------------------|----------------------------|--------------------------------|
| 20 AWG OR 0.50mm2 | 0.95+/-0.05 [.037+/-0.002] | 4.3                            |
| 22 AWG OR 0.35mm2 | 0.90+/-0.05 [.035+/-0.002] | 4.9                            |



- 1 RECOMMENDED SPARE PARTS
- 2 REFER TO SUPPLIED INSTRUCTION SHEET FOR CLEANING, LUBRICATION AND STORAGE OF APPLICATOR.
- 3 APPLY PART NUMBER 2-23419-6 LOCTITE TO THREADS OF ITEM 242.
- 4 CRIMP HEIGHT REFERENCE SETTING WAS THE SETTING USED WHEN THE APPLICATOR WAS QUALIFIED AT THE FACTORY. ADJUSTMENT MAY BE NECESSARY WHEN RUNNING APPLICATOR IN THE FIELD.
- 5. UNLESS SPECIFIED OTHERWISE TORQUE VALUES SHALL BE USED PER DOCUMENT, 101-35000.
- 6 TERMINAL LUBRICANT IS RECOMMENDED.

**\*WARNING**  
 ON INSTALLATION, SET WIRE DISC TO CRIMP HEIGHT REFERENCE SETTING FOR LARGEST WIRE SIZE. CRIMP HEIGHT REFERENCE SETTINGS GREATER THAN THE VALUE SHOWN MAY CAUSE DAMAGE TO THE CRIMP TOOLING, REFER TO THE INSTRUCTION SHEET FOR PROPER SETUP AND ADJUSTMENTS.

ATLANTIC VERSION  
 Shown on sheets 1 of 4 & 2 of 4  
 (Pacific version shown on sheets 3 of 4 & 4 of 4)

| LOC | DIST | REVISIONS |     |               |           |     |      |
|-----|------|-----------|-----|---------------|-----------|-----|------|
| A   | 66   | P         | LTN | DESCRIPTION   | DATE      | OWN | APVD |
|     |      | A         |     | RELEASED      | 22AUG2014 | KH  | SX   |
|     |      | B         |     | ECR-18-007829 | 22MAY2018 | MEH | JDG  |
|     |      | C         |     | ECR-19-002277 | 12FEB2019 | LG  | CT   |
|     |      | CI        |     | ECR-19-007375 | 08MAY2019 | RK  | TE   |

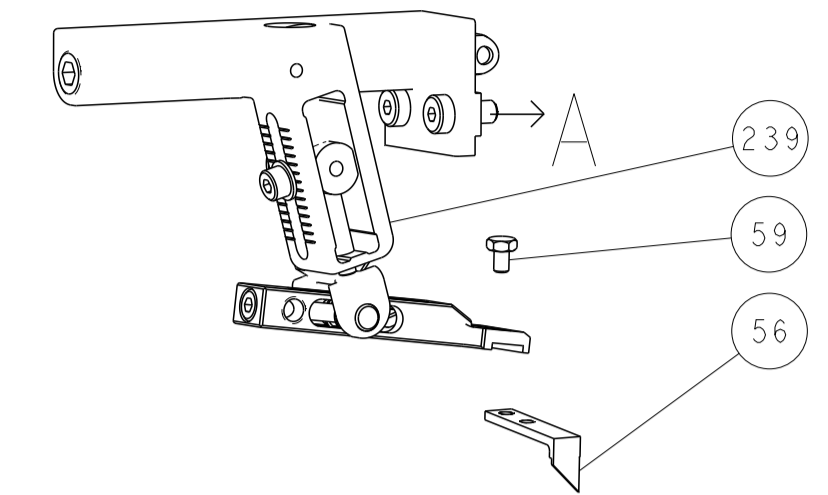
|   |     |     |     |     |             |                                     |                       |   |
|---|-----|-----|-----|-----|-------------|-------------------------------------|-----------------------|---|
| - | 1   | -   | 1   | -   | 2119640-1   | PUSH ROD, AIR FEED                  | 250                   |   |
| - | 1   | -   | 1   | -   | 2079988-1   | BUSHING, LCH5-12, MISUMI            | 249                   |   |
| - | 1   | -   | 1   | -   | 2119641-1   | FEED CAM, AIR FEED                  | 248                   |   |
| - | 1   | 1   | 1   | 1   | 2119082-4   | CAM, SNAIL, INSULATION ADJUSTMENT   | 244                   |   |
| - | 1   | 1   | 1   | 1   | 2079764-1   | WASHER, WAVE SPRING, CREST-TO-CREST | 243                   |   |
| - | 1   | 1   | 1   | 1   | 2119083-1   | RETAINER, INSULATION DIAL           | 242                   |   |
| - | 1   | 1   | 1   | 1   | 7-18023-7   | SCR, SKT HD CAP M3 X 4.0            | 241                   |   |
| - | -   | 1   | -   | 1   | 2119580-1   | MECHANICAL FEED ASSEMBLY            | 239                   |   |
| - | 1   | -   | 1   | -   | 2063440-1   | AIR FEED MODULE                     | 238                   |   |
| - | 2   | -   | 2   | -   | 21045-3     | RING, RETAIN, EXTERN, 3/16 CRESCENT | 172                   |   |
| - | REF | REF | REF | REF | 994970-2    | COUNTER, MAGNETIC                   | 164                   |   |
| - | 1   | -   | 1   | -   | 240638-1    | SPRING, FEED FINGER                 | 163                   |   |
| - | 1   | -   | 1   | -   | 3-23627-7   | PIN, RETAIN, GRVD, 3/16 X .854      | 137                   |   |
| - | 1   | -   | 1   | -   | 2119799-1   | HOLDER, FEED FINGER, AF             | 136                   |   |
| - | 1   | 1   | 1   | 1   | 2119955-1   | ASSY, LUBRICATOR, SIDE FEED         | 113                   |   |
| - | 1   | 1   | 1   | 1   | 2844908-1   | SCREW, LOCKING                      | 99                    |   |
| - | 1   | 1   | 1   | 1   | 2844907-1   | POST, LOCKING                       | 98                    |   |
| - | 1   | 1   | 1   | 1   | 455888-6    | SPACER, CRIMPER                     | 82                    |   |
| - | 1   | 1   | 1   | 1   | 1803607-1   | DOCUMENTATION PACKAGE               | 71                    |   |
| - | 1   | 1   | 1   | 1   | 2119791-9   | DEPRESSOR, WIRE                     | 70                    |   |
| - | 1   | 1   | 1   | 1   | 2119740-1   | TAG, IDENTIFICATION                 | 67                    |   |
| - | 2   | 2   | 2   | 2   | 2168078-1   | SCREW, DRIVE, RH, RoHS, 2 x .188    | 66                    |   |
| - | 1   | 1   | 1   | 1   | 2168083-2   | SCR, SKT HD CAP, RoHS, M4 X 8.0     | 60                    |   |
| - | 1   | 1   | 1   | 1   | 5-18022-5   | SCR, HEX HD CAP, M4 X 6.0           | 59                    |   |
| - | 1   | 1   | 1   | 1   | 1338685-1   | PAWL, FEED                          | 56                    |   |
| - | 4   | 4   | 4   | 4   | 2168083-3   | SCR, SKT HD CAP, RoHS, M4 X 12.0    | 54                    |   |
| - | 2   | 2   | 2   | 2   | 1-2168083-0 | SCR, SKT HD CAP, RoHS, M4 X 10      | 53                    |   |
| - | 1   | 1   | 1   | 1   | 1803382-6   | HOLD DOWN, SPRING LOADED            | 50                    |   |
| - | 1   | 2   | 1   | 2   | 18023-9     | SCR, SKT HD CAP M4 X 6.0            | 49                    |   |
| - | -   | 1   | -   | 1   | 2119652-1   | FEED CAM, PRE FEED                  | 48                    |   |
| - | -   | 1   | -   | 1   | 2119653-1   | FEED CAM, POST FEED                 | 47                    |   |
| - | 1   | 1   | 1   | 1   | 1803583-9   | APPLICATOR BASIC ASSEMBLY, SF       | 46                    |   |
| - | 1   | 1   | 1   | 1   | 1803515-1   | RAM ASSEMBLY, SF ATLANTIC           | 44                    |   |
| - | 1   | 1   | 1   | 1   | 1803602-1   | SCR, BHSC, RoHS (M8 X 25)           | 41                    |   |
| - | 1   | 1   | 1   | 1   | 1752356-3   | SUPPORT, TERMINAL                   | 34                    |   |
| - | 2   | 2   | 2   | 2   | 2079383-5   | SCR, BHSC, RoHS (M4 X 20)           | 33                    |   |
| - | 2   | 2   | 2   | 2   | 2-2844962-4 | SPACER, CYLINDRICAL, STRIP GUIDE    | 30                    |   |
| - | 1   | 1   | 1   | 1   | 2844992-2   | ASSEMBLY, STRIP GUIDE               | 29                    |   |
| - | 1   | 1   | 1   | 1   | 1320928-2   | STRIP GUIDE                         | 24                    |   |
| - | 1   | 1   | 1   | 1   | 2168083-2   | SCR, SKT HD CAP, RoHS, M4 X 8.0     | 21                    |   |
| - | 2   | 2   | 2   | 2   | 1-18028-2   | WASHER, FLAT, REG M4                | 20                    |   |
| - | 1   | 1   | 1   | 1   | 2119533-1   | STRIPPER, SIDE FEED                 | 19                    |   |
| - | 1   | 1   | 1   | 1   | 2119806-1   | INSERT, SHEAR                       | 13                    |   |
| - | 1   | 1   | 1   | 1   | 3-22280-3   | SPRING, COMPRESSION                 | 12                    |   |
| - | 1   | 1   | 1   | 1   | 1-356885-4  | STOP, SHEAR                         | 11                    |   |
| - | 1   | 1   | 1   | 1   | 2119805-1   | SHEAR HOLDER, FRONT                 | 10                    |   |
| - | 1   | 1   | 1   | 1   | 1803095-6   | FLOATING SHEAR, FRONT               | 9                     |   |
| - | 1   | 2   | 2   | 1   | 1           | 6-1633139-7                         | ANVIL, COMBINATION    | 8 |
| - | -   | -   | -   | -   | -           | -                                   | 7                     |   |
| - | -   | -   | -   | -   | -           | -                                   | 6                     |   |
| - | 1   | 1   | 1   | 1   | 2119757-3   | DEPRESSOR, SHEAR                    | 5                     |   |
| - | 1   | 1   | 1   | 1   | 1-238011-0  | BLOCK, CRIMPER SPACER               | 4                     |   |
| - | 1   | 2   | 2   | 1   | 1           | 1-1803019-5                         | CRIMPER, INSULATION O | 3 |
| - | 1   | 1   | 1   | 1   | 455888-3    | SPACER, CRIMPER                     | 2                     |   |
| - | 1   | 2   | 2   | 1   | 1           | 1333281-3                           | CRIMPER, WIRE PREMIUM | 1 |

| ITEM NO | PART NO | DESCRIPTION | ITEM NO |
|---------|---------|-------------|---------|
| -77     | -72     | -71         | -2      |
| -1      | -1      | -1          | -1      |

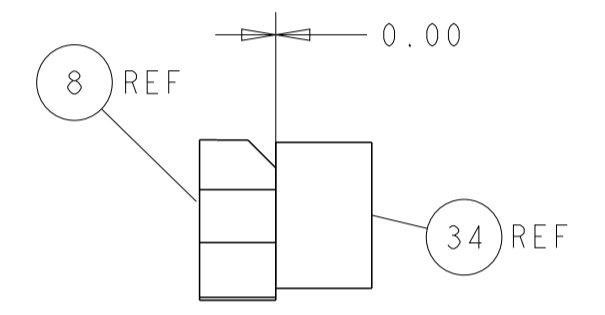
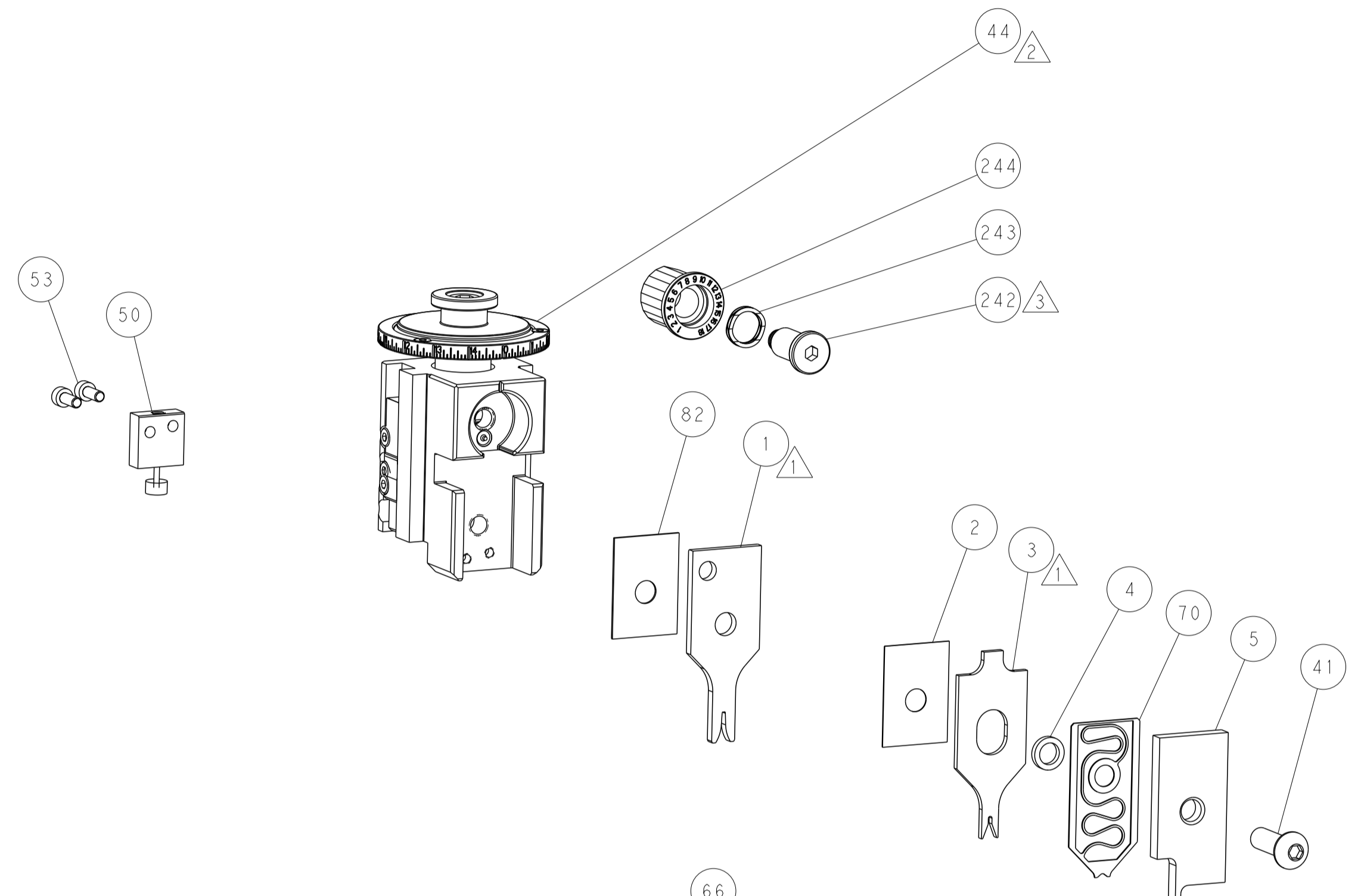
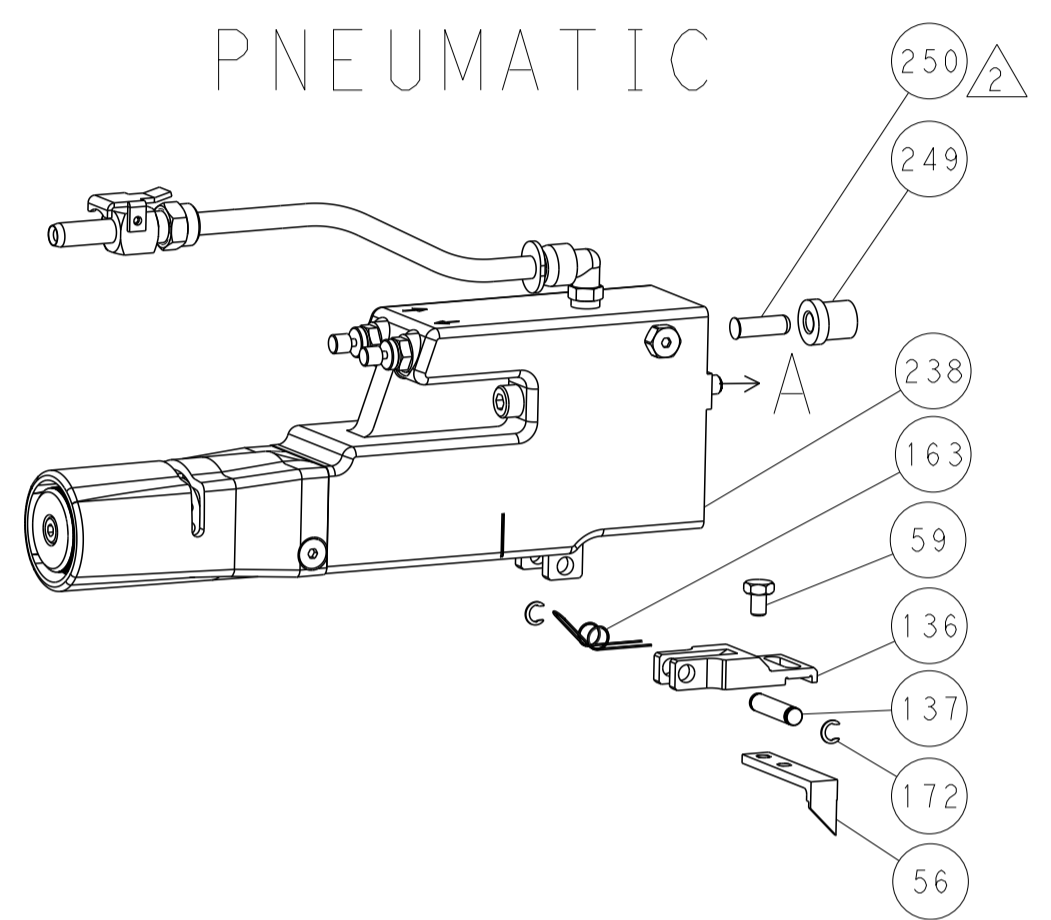
|                       |   |   |   |
|-----------------------|---|---|---|
| DIMENSIONS:<br>mm<br> | TOLERANCES UNLESS OTHERWISE SPECIFIED:<br>0 PLC ±<br>1 PLC ±<br>2 PLC ±<br>3 PLC ±<br>4 PLC ±<br>ANGLES ±<br>FINISH | DWN H. HUANG 18DEC2012<br>CHK S.XI 18DEC2012<br>APVD S.XI 18DEC2012<br>PRODUCT SPEC<br>APPLICATION SPEC<br>WEIGHT<br>MATERIAL | NAME Ocean Side Feed Applicator<br>SIZE CAGE CODE DRAWING NO RESTRICTED TO<br>A1 00779 C=2151422<br>SCALE 1:2 SHEET 1 OF 4 REV C1 |
|-----------------------|---|---|---|

| LOC |    | DIST |     | REVISIONS   |      |     |      |
|-----|----|------|-----|-------------|------|-----|------|
| A   | 66 | P    | LYN | DESCRIPTION | DATE | OWN | APVD |
|     |    | -    |     | SEE SHEET 1 | -    | -   | -    |
|     |    |      |     |             |      |     |      |
|     |    |      |     |             |      |     |      |

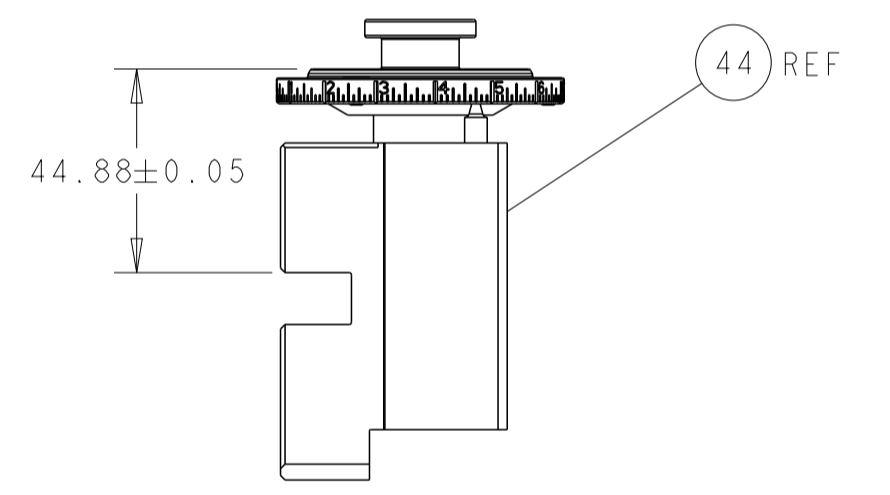
# FEED TYPE MECHANICAL



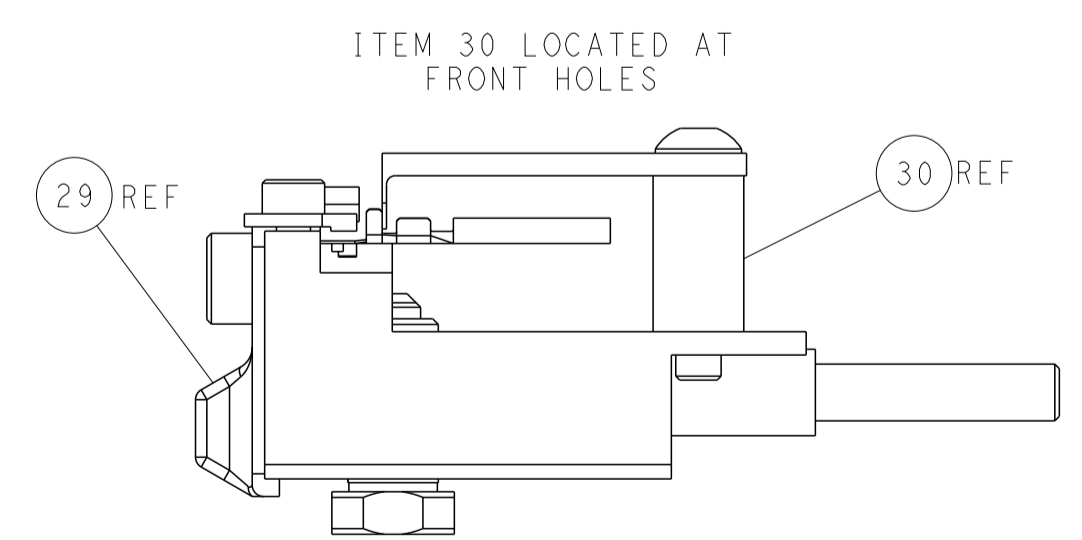
# PNEUMATIC



TERMINAL SUPPORT LOCATION

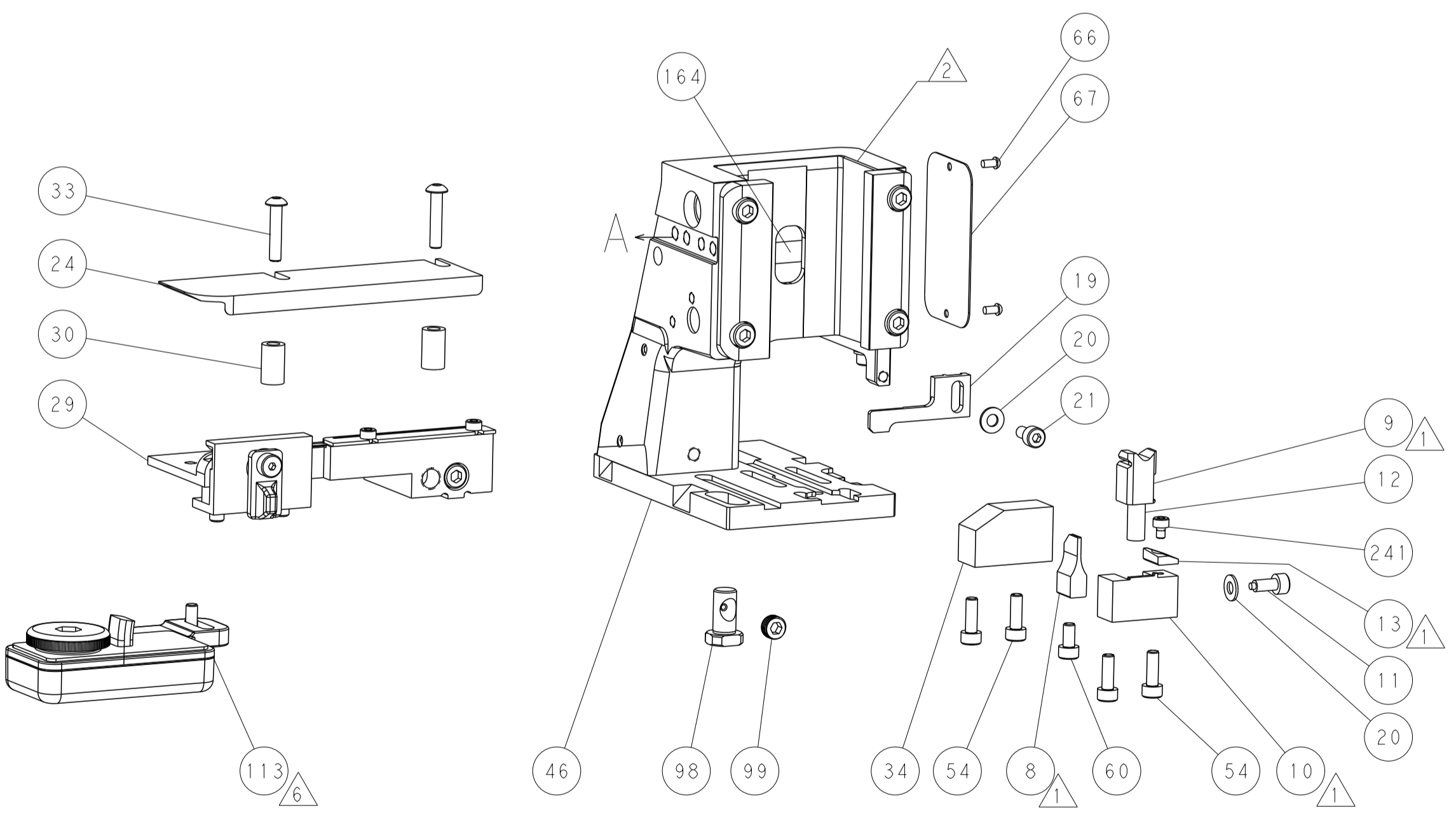
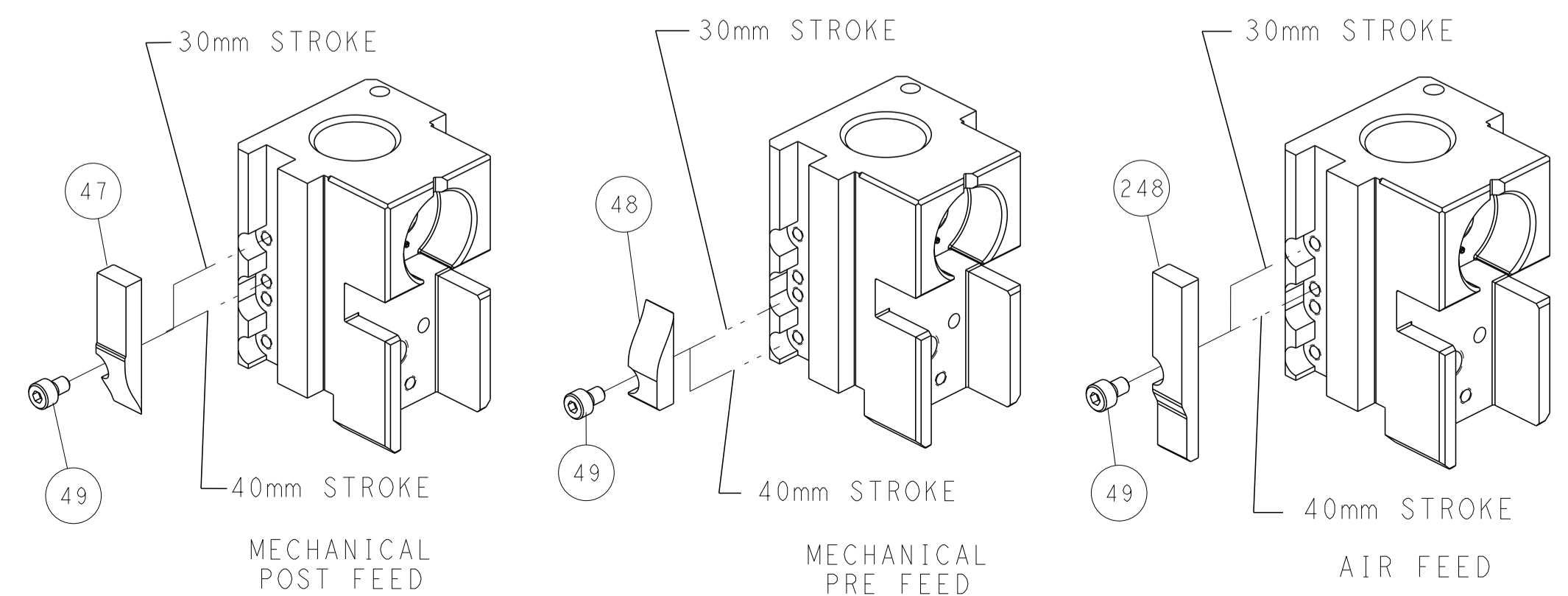


RAM SET-UP



FEED TRACK POSITION GUIDE BY INSULATION BARREL

# CAM POSITIONS

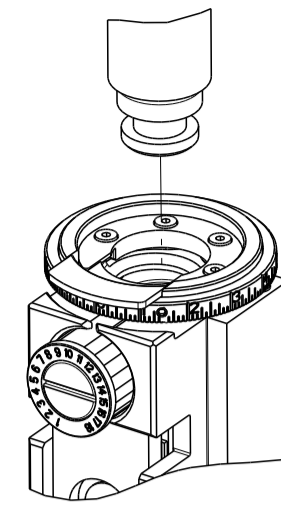


**ATLANTIC VERSION**  
 Shown on sheets 1 of 4 & 2 of 4  
 (Pacific version shown on sheets 3 of 4 & 4 of 4)

|   |  |   |  |
|---|--|---|--|
| <small>THIS DRAWING IS UNPUBLISHED. RELEASED FOR PUBLICATION BY TYCO ELECTRONICS CORPORATION. ALL RIGHTS RESERVED.</small>              |  | DWN: R. HUANG 18DEC2012<br>CHK: S. XI 18DEC2012<br>APVD: S. XI 18DEC2012                | TE Connectivity<br>Harrisburg, PA 17105-3608               |
| DIMENSIONS: mm<br>TOLERANCES UNLESS OTHERWISE SPECIFIED:<br>0 PLC ±<br>1 PLC ±<br>2 PLC ±<br>3 PLC ±<br>4 PLC ±<br>ANGLES ±<br>FINISH ± |  | NAME: Ocean Side Feed Applicator<br>SIZE: A1<br>CAGE CODE: 00779<br>DRAWING NO: 2151422 | RESTRICTED TO: -<br>SCALE: 1:2<br>SHEET: 2 of 4<br>REV: C1 |
| MATERIAL: -<br>FINISH: -  |  | WEIGHT: -<br>Customer Accessible Production Drawing                                     | SHEETS 3 & 4 ARE NOT REQUIRED FOR ATLANTIC VERSION         |

| 8  | 7        | 6                        | 5          | 4  | 3 | 2 | 1 |
|--|----------|--------------------------|------------|----|---|---|---|
| THIS DRAWING IS UNPUBLISHED.                                       |          | RELEASED FOR PUBLICATION |            | 20 |   |   |   |
| COPYRIGHT 20 BY TYCO ELECTRONICS CORPORATION. ALL RIGHTS RESERVED. |          |                          |            |    |   |   |   |
| PART NUMBER  | REVISION | DESCRIPTION              | FEED TYPE  |    |   |   |   |
| 2-2151422-1  | C        | FINE CRIMP HEIGHT ADJUST | MECHANICAL |    |   |   |   |
| 2-2151422-2  | C        | FINE CRIMP HEIGHT ADJUST | PNEUMATIC  |    |   |   |   |
| 7-2151422-7  | A        | CRIMP TOOLING KIT        | -          |    |   |   |   |

PACIFIC VERSION TERMINATOR  
INTERFACE ADAPTER



| APPLICATOR DATA                      |                |      |
|--------------------------------------|----------------|------|
| CRIMP                                | SIZE           | TYPE |
| WIRE                                 | 1.35 mm [.053] | F    |
| INSUL                                | 1.55 mm [.061] | O    |
| APPLICATOR INSTRUCTIONS<br>408-35042 |                |      |

|   |                 |                              |                 |
|---|-----------------|------------------------------|-----------------|
| TERMINAL DATA: YAZAKI TERMINAL YAZAKI CRIMP SPECIFICATION |                 |                              |                 |
| TERMINAL NAME: KAIZEN 0.64                                |                 | TERMINAL MALE                |                 |
| WIRE STRIP LENGTH   |                 | INSULATION DIAMETER RANGE    |                 |
| 4.50-5.00 mm [1.177-.197 IN]                              |                 | Ø1.50-1.85 mm [.059-.073 IN] |                 |
| TERMINAL APPLICATION SPECIFICATION                        |                 | YAZAKI Rev WA1791            | -               |
| TERMINALS APPLIED   |                 |                              |                 |
| TE TERMINAL   | YAZAKI TERMINAL | TE TERMINAL                  | YAZAKI TERMINAL |
| 1642948-1   | 7114-4618-02    | 1642772-1                    | 7116-4618-02    |
| 1949674-1   | 7116-5231-08    | 3311490-1                    | 7116-4618-08    |

| WIRE SIZE                     | CRIMP HEIGHT mm [INCH]        | CRIMP HEIGHT REFERENCE SETTING |
|-------------------------------|-------------------------------|--------------------------------|
| 20 AWG OR 0.50mm <sup>2</sup> | 0.95 +/- 0.05 [.037 +/- .002] | 4.3                            |
| 22 AWG OR 0.35mm <sup>2</sup> | 0.90 +/- 0.05 [.035 +/- .002] | 4.9                            |



- RECOMMENDED SPARE PARTS
- REFER TO SUPPLIED INSTRUCTION SHEET FOR CLEANING, LUBRICATION AND STORAGE OF APPLICATOR.
- APPLY PART NUMBER 2-23419-6 LOCTITE TO THREADS OF ITEM 242.
- CRIMP HEIGHT REFERENCE SETTING WAS THE SETTING USED WHEN THE APPLICATOR WAS QUALIFIED AT THE FACTORY. ADJUSTMENT MAY BE NECESSARY WHEN RUNNING APPLICATOR IN THE FIELD.
- 5. UNLESS SPECIFIED OTHERWISE TORQUE VALUES SHALL BE USED PER DOCUMENT, 101-35000.
- TERMINAL LUBRICANT IS RECOMMENDED.

**\*WARNING**  
ON INSTALLATION, SET WIRE DISC TO CRIMP HEIGHT REFERENCE SETTING FOR LARGEST WIRE SIZE. CRIMP HEIGHT REFERENCE SETTINGS GREATER THAN THE VALUE SHOWN MAY CAUSE DAMAGE TO THE CRIMP TOOLING, REFER TO THE INSTRUCTION SHEET FOR PROPER SETUP AND ADJUSTMENTS.

PACIFIC VERSION  
Shown on sheets 3 of 4 & 4 of 4  
(Atlantic version shown on sheets 1 of 4 & 2 of 4)

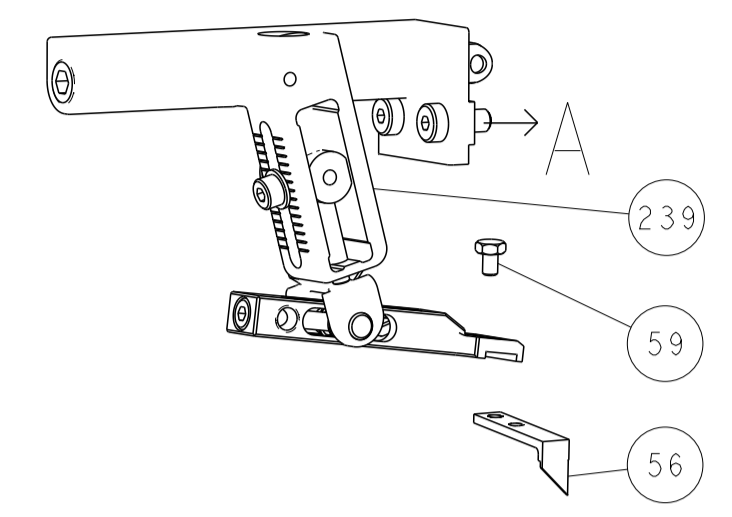
| LOC | DIST | REVISIONS |     |             |      |     |      |
|-----|------|-----------|-----|-------------|------|-----|------|
| A   | 66   | P         | LTN | DESCRIPTION | DATE | OWN | APVD |
|     |      | -         |     | SEE SHEET 1 | -    | -   | -    |

|   |     |     |             |                                     |     |
|---|-----|-----|-------------|-------------------------------------|-----|
| - | 1   | -   | 2119640-1   | PUSH ROD, AIR FEED                  | 250 |
| - | 1   | -   | 2079988-1   | BUSHING, LCH5-12, MISUMI            | 249 |
| - | 1   | 1   | 2119082-4   | CAM, SNAIL, INSULATION ADJUSTMENT   | 244 |
| - | 1   | 1   | 2079764-1   | WASHER, WAVE SPRING, CREST-TO-CREST | 243 |
| - | 1   | 1   | 2119083-1   | RETAINER, INSULATION DIAL           | 242 |
| - | 1   | 1   | 7-18023-7   | SCR, SKT HD CAP M3 X 4.0            | 241 |
| - | -   | 1   | 2119580-1   | MECHANICAL FEED ASSEMBLY            | 239 |
| - | 1   | -   | 2063440-1   | AIR FEED MODULE                     | 238 |
| - | 2   | -   | 21045-3     | RING, RETAIN, EXTERN, 3/16 CRESCENT | 172 |
| - | REF | REF | 994970-2    | COUNTER, MAGNETIC                   | 164 |
| - | 1   | -   | 240638-1    | SPRING, FEED FINGER                 | 163 |
| - | 1   | -   | 2119641-2   | FEED CAM, AIR FEED                  | 151 |
| - | 1   | 1   | 2168083-8   | SCR, SKT HD CAP, RoHS, M4 X 16      | 144 |
| - | 4   | 4   | 2168083-9   | SCR, SKT HD CAP, RoHS, M4 X 20      | 143 |
| - | -   | 1   | 2119653-2   | FEED CAM, POST FEED                 | 142 |
| - | 1   | 1   | 1-1803583-0 | APPLICATOR BASIC ASSEMBLY, SF       | 141 |
| - | 1   | 1   | 1803516-1   | RAM ASSEMBLY, SF PACIFIC            | 140 |
| - | 1   | -   | 3-23627-7   | PIN, RETAIN, GRVD, 3/16 X .854      | 137 |
| - | 1   | -   | 2119799-1   | HOLDER, FEED FINGER, AF             | 136 |
| - | 1   | 1   | 2119955-1   | ASSY, LUBRICATOR, SIDE FEED         | 113 |
| - | 1   | 1   | 2844908-1   | SCREW, LOCKING                      | 99  |
| - | 1   | 1   | 2844907-1   | POST, LOCKING                       | 98  |
| - | 1   | 1   | 455888-6    | SPACER, CRIMPER                     | 82  |
| - | 1   | 1   | 1803607-1   | DOCUMENTATION PACKAGE               | 71  |
| - | 1   | 1   | 2119791-9   | DEPRESSOR, WIRE                     | 70  |
| - | 1   | 1   | 2119740-1   | TAG, IDENTIFICATION                 | 67  |
| - | 2   | 2   | 2168078-1   | SCREW, DRIVE, RH, RoHS, 2 x .188    | 66  |
| - | 1   | 1   | 5-18022-5   | SCR, HEX HD CAP, M4 X 6.0           | 59  |
| - | 1   | 1   | 1338685-1   | PAWL, FEED                          | 56  |
| - | 2   | 2   | 1-2168083-0 | SCR, SKT HD CAP, RoHS, M4 X 10      | 53  |
| - | 1   | 1   | 1803382-6   | HOLD DOWN, SPRING LOADED            | 50  |
| - | 1   | 2   | 18023-9     | SCR, SKT HD CAP M4 X 6.0            | 49  |
| - | -   | 1   | 2119652-1   | FEED CAM, PRE FEED                  | 48  |
| - | 1   | 1   | 1803602-1   | SCR, BHSC, RoHS (M8 X 25)           | 41  |
| - | 1   | 1   | 1752356-3   | SUPPORT, TERMINAL                   | 34  |
| - | 2   | 2   | 2079383-5   | SCR, BHSC, RoHS (M4 X 20)           | 33  |
| - | 2   | 2   | 2-2844962-4 | SPACER, CYLINDRICAL, STRIP GUIDE    | 30  |
| - | 1   | 1   | 2844992-2   | ASSEMBLY, STRIP GUIDE               | 29  |
| - | 1   | 1   | 1320928-2   | STRIP GUIDE                         | 24  |
| - | 1   | 1   | 2168083-2   | SCR, SKT HD CAP, RoHS, M4 X 8.0     | 21  |
| - | 2   | 2   | 1-18028-2   | WASHER, FLAT, REG M4                | 20  |
| - | 1   | 1   | 2119533-1   | STRIPPER, SIDE FEED                 | 19  |
| - | 1   | 1   | 2119806-1   | INSERT, SHEAR                       | 13  |
| - | 1   | 1   | 3-22280-3   | SPRING, COMPRESSION                 | 12  |
| - | 1   | 1   | 1-356885-4  | STOP, SHEAR                         | 11  |
| - | 1   | 1   | 2119805-1   | SHEAR HOLDER, FRONT                 | 10  |
| - | 1   | 1   | 1803095-6   | FLOATING SHEAR, FRONT               | 9   |
| - | 1   | 1   | 1-1633139-7 | ANVIL, COMBINATION                  | 8   |
| - | -   | -   | -           | -                                   | 7   |
| - | -   | -   | -           | -                                   | 6   |
| - | 1   | 1   | 2119757-3   | DEPRESSOR, SHEAR                    | 5   |
| - | 1   | 1   | 1-238011-0  | BLOCK, CRIMPER SPACER               | 4   |
| - | 1   | 1   | 1-1803019-5 | CRIMPER, INSULATION O               | 3   |
| - | 1   | 1   | 455888-3    | SPACER, CRIMPER                     | 2   |
| - | 1   | 1   | 1333281-3   | CRIMPER, WIRE PREMIUM               | 1   |

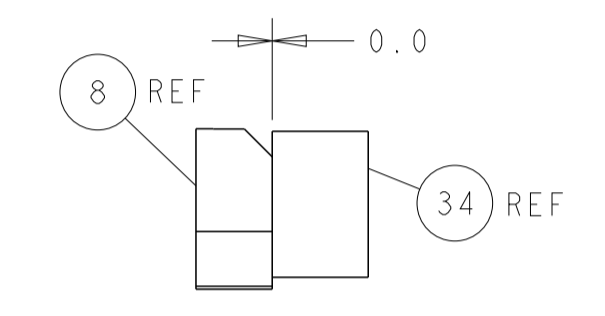
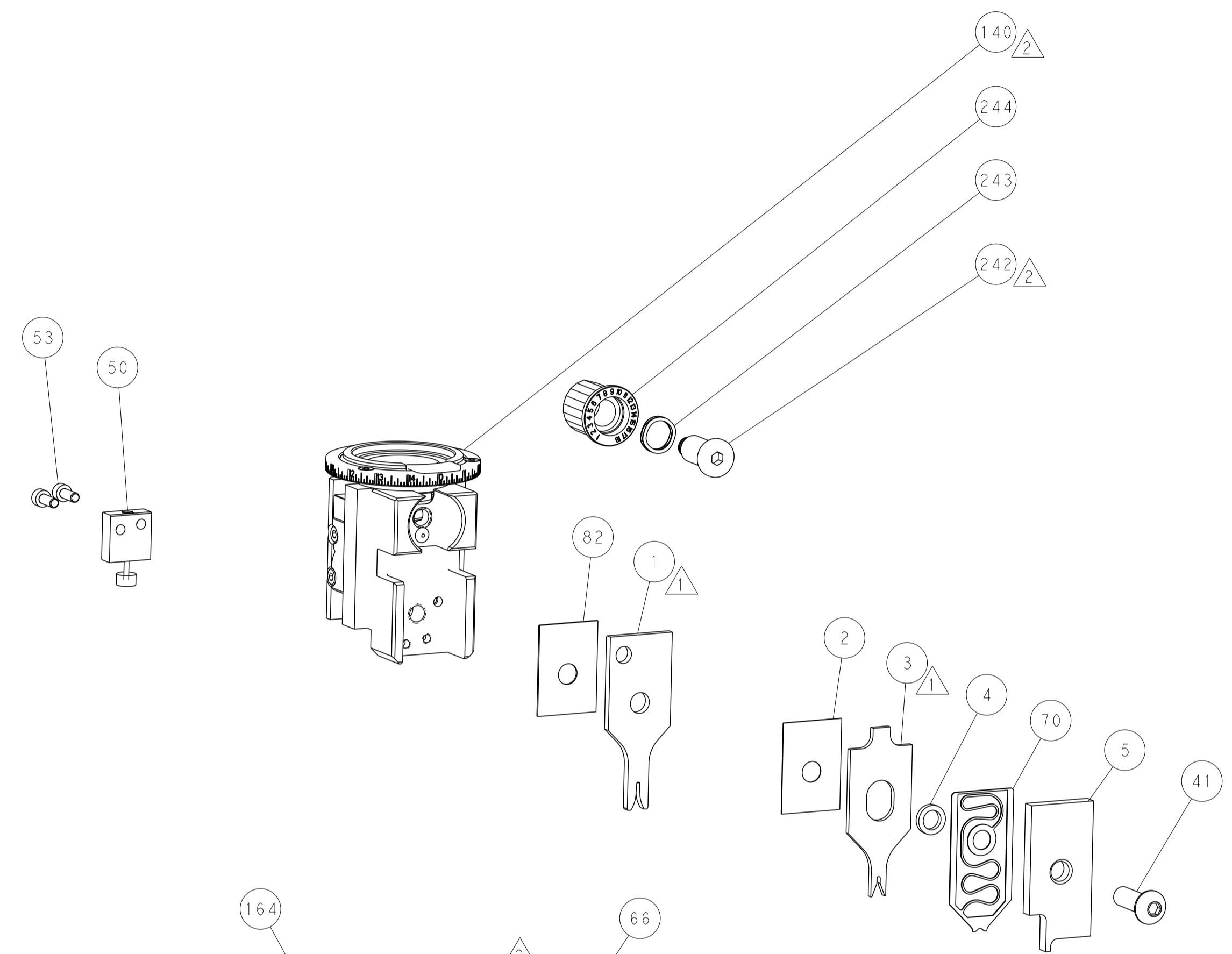
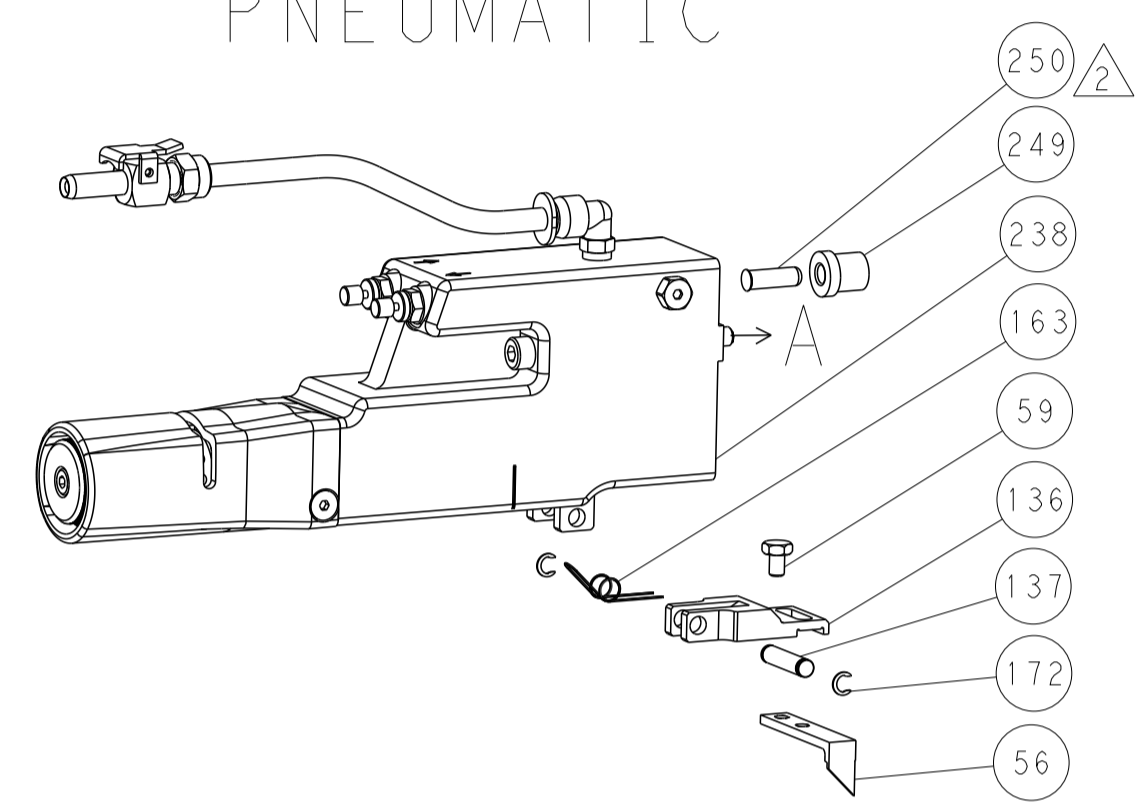
|             |         |  |         |              |         |
|-------------|---------|--|---------|--------------|---------|
| DIMENSIONS: |         | TOLERANCES UNLESS OTHERWISE SPECIFIED: |         | DRAWING NO   |         |
| mm          | 0 PLC ± | 1 PLC ±                                | 2 PLC ± | 3 PLC ±      | 4 PLC ± |
|             | ANGLES  | FINISH                                 |         | WEIGHT       |         |
| MATERIAL    |         |  |         | SCALE        |         |
|             |         |  |         | SHEET 3 OF 4 |         |

| LOC |    | DIST |     | REVISIONS   |      |     |      |
|-----|----|------|-----|-------------|------|-----|------|
| A   | 66 | P    | LTN | DESCRIPTION | DATE | OWN | APVD |
| -   | -  | -    | -   | SEE SHEET 1 | -    | -   | -    |

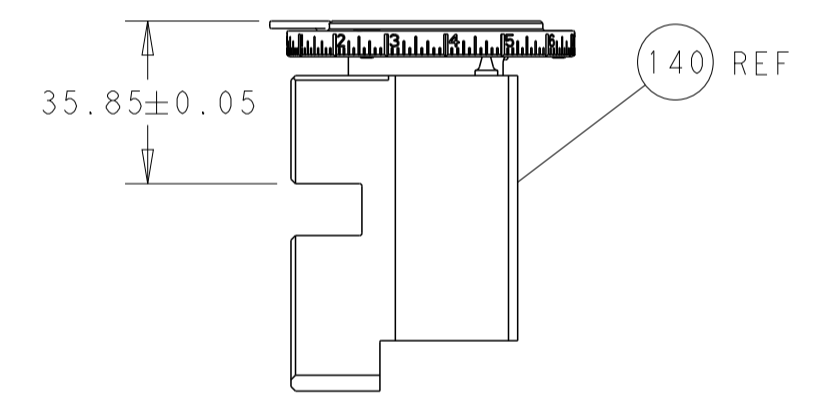
# FEED TYPE MECHANICAL



# PNEUMATIC

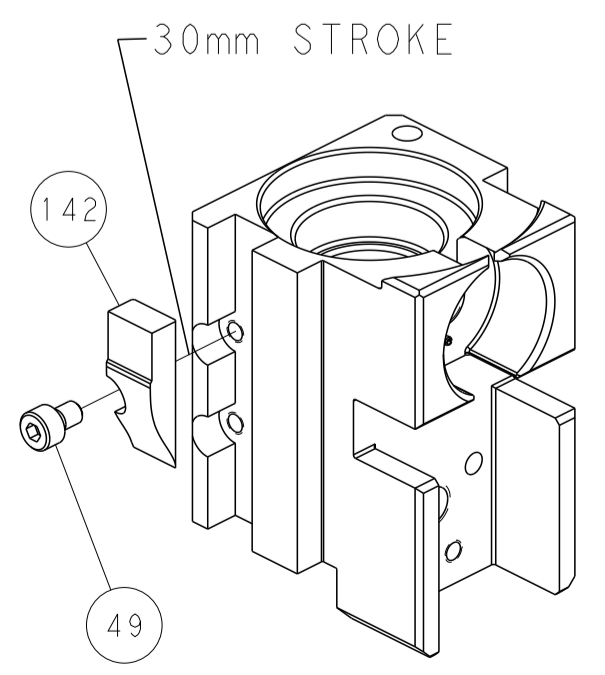


TERMINAL SUPPORT LOCATION

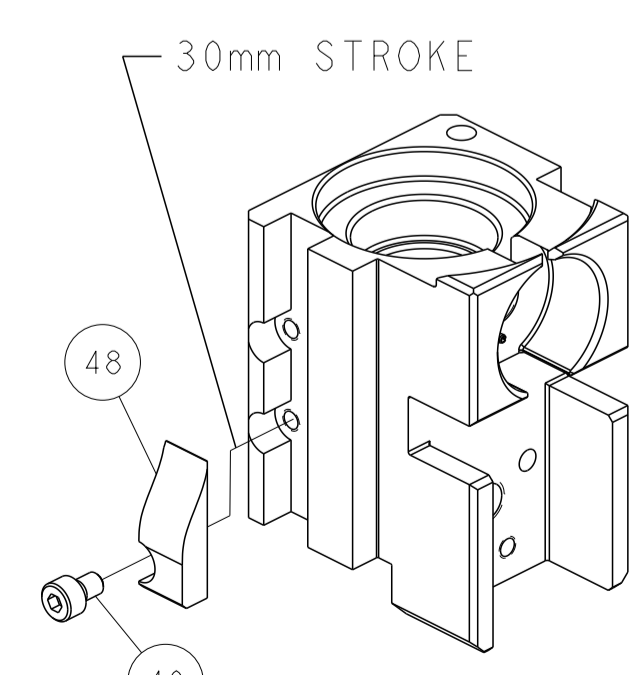


RAM SET-UP

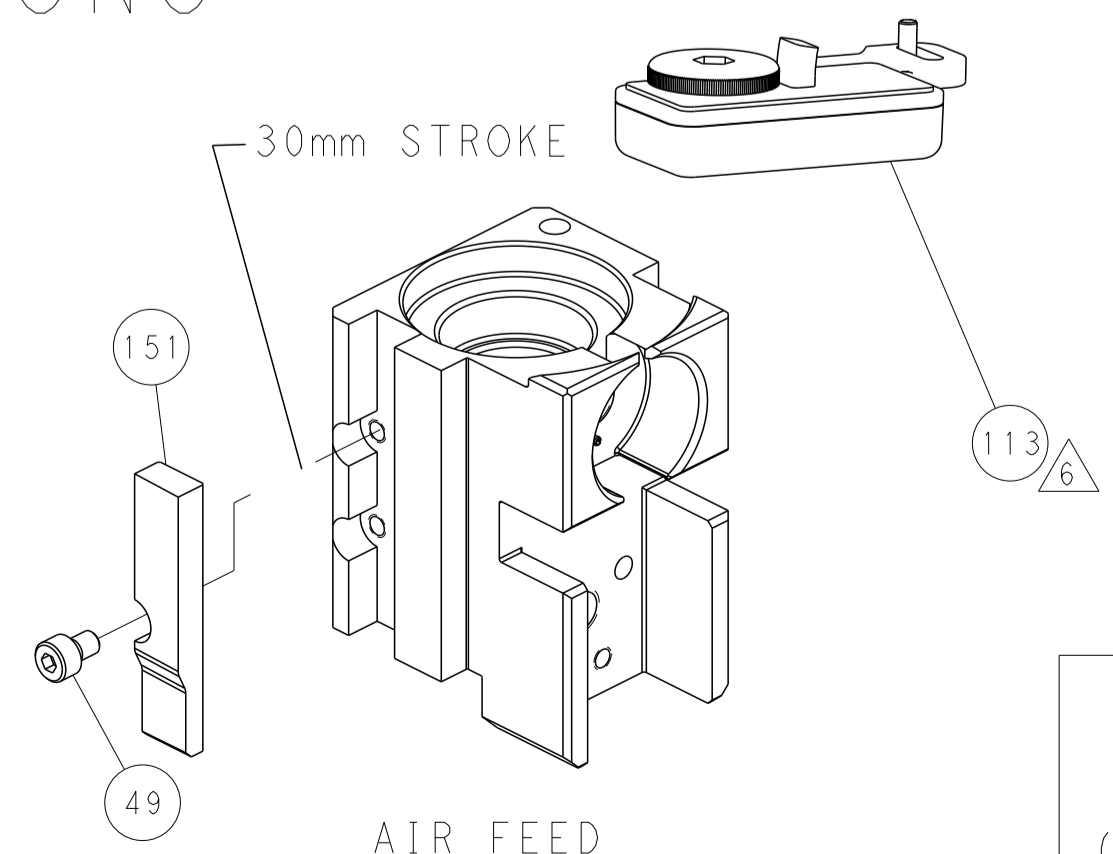
# CAM POSITIONS



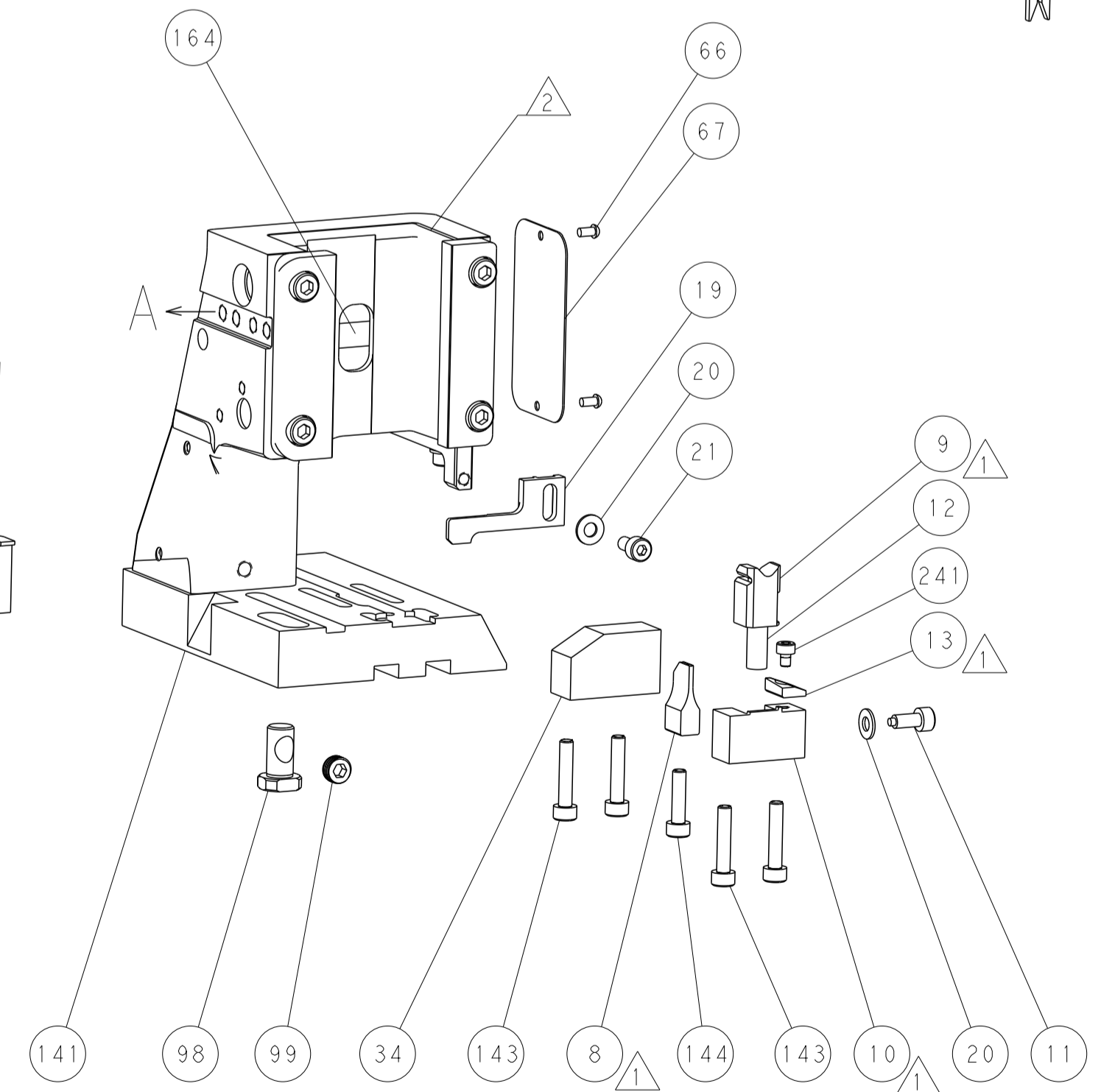
MECHANICAL POST FEED



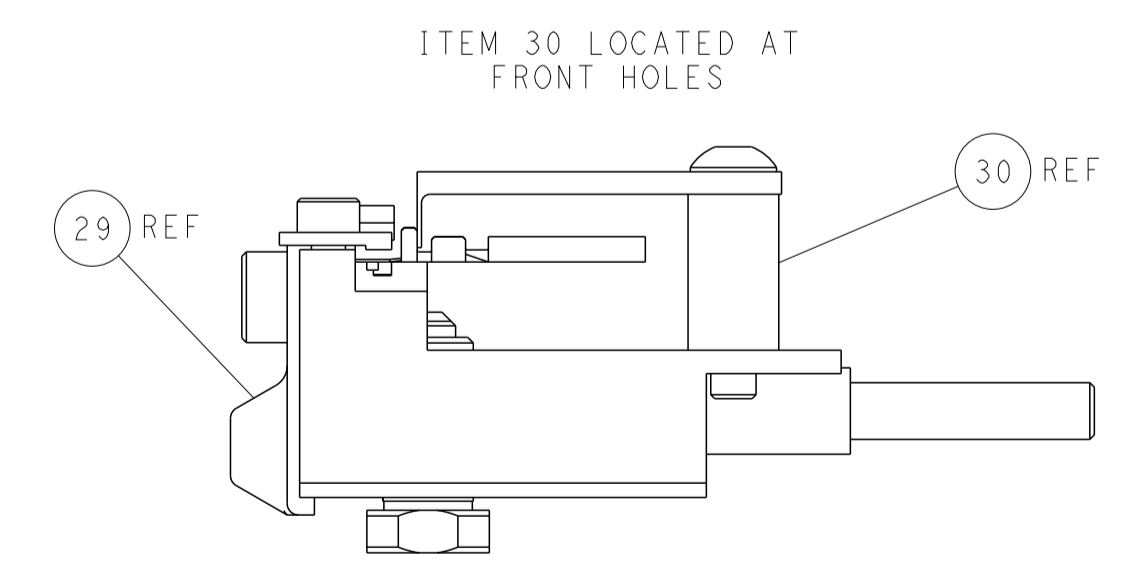
MECHANICAL PRE FEED



AIR FEED



**PACIFIC VERSION**  
 Shown on sheets 3 of 4 & 4 of 4  
 (Atlantic version shown on sheets 1 of 4 & 2 of 4)



FEED TRACK POSITION GUIDE BY INSULATION BARREL

|  |         |  |         |                        |         |   |                            |
|--|---------|--|---------|------------------------|---------|---|----------------------------|
| DIMENSIONS:                            |         | TOLERANCES UNLESS OTHERWISE SPECIFIED: |         | DWN H. HUANG 18DEC2012 |         | TE Connectivity Harrisburg, PA 17105-3608 |                            |
| mm                                     | 0 PLC ± | 1 PLC ±                                | 2 PLC ± | 3 PLC ±                | 4 PLC ± | APVD S. XI 18DEC2012                      | NAME                       |
|  | ANGLES  | FINISH                                 |         |                        |         |   | Ocean Side Feed Applicator |
| MATERIAL                               |         |  |         |                        |         | SIZE CAGE CODE DRAWING NO                 | RESTRICTED TO              |
|  |         |  |         |                        |         | A1 00779 C=2151422                        |                            |
| Customer Accessible Production Drawing |         |  |         | SCALE                  | 1:2     | SHEET                                     | 4 OF 4 REV C1              |