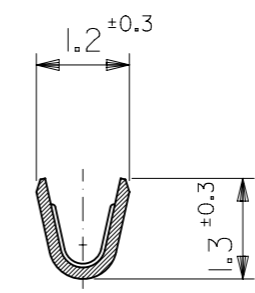
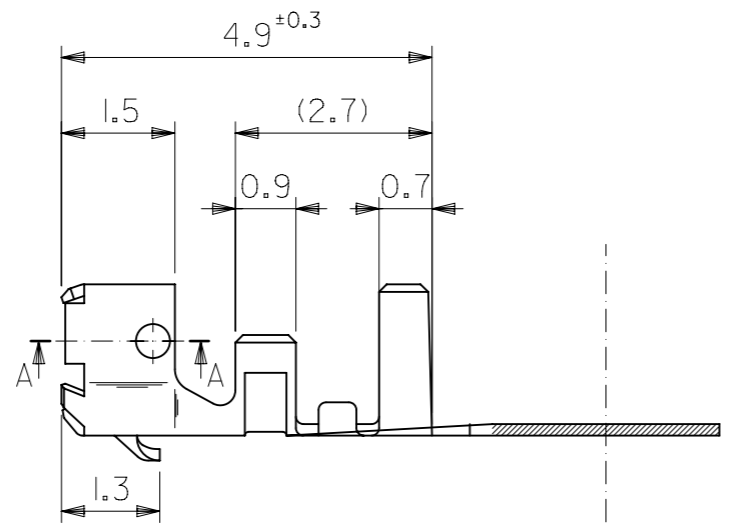
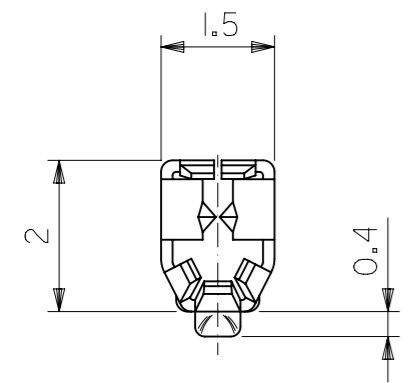
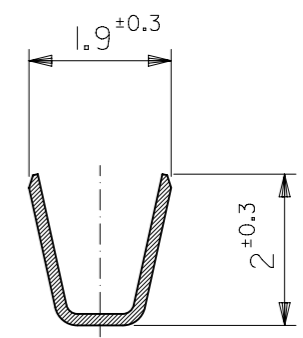


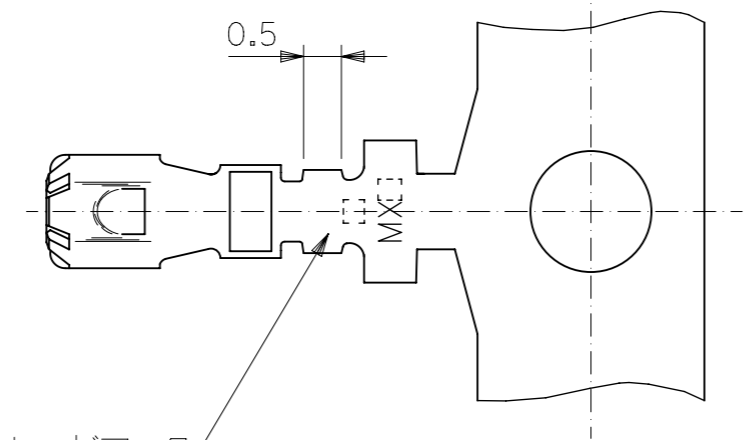
SECT.A-A
(SCALE 20:1)



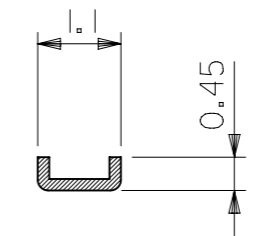
SECT.B-B



SECT.D-D



トレードマーク
TRADE MARK



SECT.C-C

注記
NOTE

1. 適用ハウジング : 51004, 51049 シリーズ
APPLICABLE HOUSING : 51004, 51049 SERIES

材料 MATERIAL	リン青銅 錫メッキ (t=0.15) PHOS.BRO. PRE-TINNED (t=0.15)
仕上げ FINISH	—#—
適用電線範囲 WIRE RANGE	AWG #24~#30
被覆外径 INS. RANGE	φ0.8~φ1.4

角度 ANGLE	±3°
30 以上 OVER	±0.3
10 以上 30 未満 UNDER	±0.25
10 未満 UNDER	±0.2
一般公差 GENERAL TOLERANCES	

THIS DRAWING CONTAINS INFORMATION THAT IS PROPRIETARY TO MOLEX ELECTRONIC TECHNOLOGIES, LLC AND SHOULD NOT BE USED WITHOUT WRITTEN PERMISSION		CURRENT REV DESC:		molex	
DIMENSION UNITS	SCALE	EC NO: 624461			
mm	10:1	DRWN: AKUMAR19 2019/01/29		2.0 LOW PROFILE CRIMP REC	
GENERAL TOLERANCES (UNLESS SPECIFIED)		CHK'D: GGA 2019/10/17			
		APPR: GGA 2019/10/17		PRODUCT CUSTOMER DRAWING	
		INITIAL REVISION:		DOCUMENT NUMBER	
		DRWN: T.YASUI 1995/08/21		SD-50011-8X00	
		APPR: M.FUKUSHIMA 1995/08/22		DOC TYPE DOC PART REVISION	
		DRAFT WHERE APPLICABLE MUST REMAIN WITHIN DIMENSIONS		PSD 001 J	
		THIRD ANGLE PROJECTION		MATERIAL NUMBER	
		DRAWING		CUSTOMER	
		SERIES		SHEET NUMBER	
		A3-SIZE 50011		SEE TABLE GENERAL MARKET 1 OF 1	