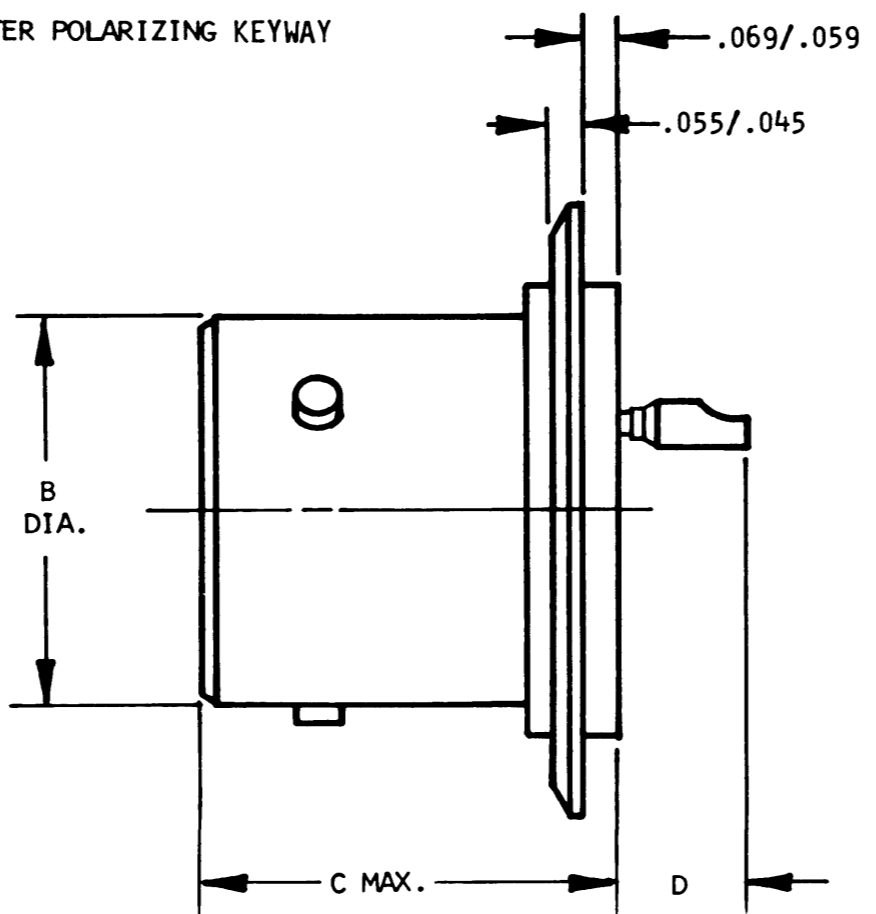
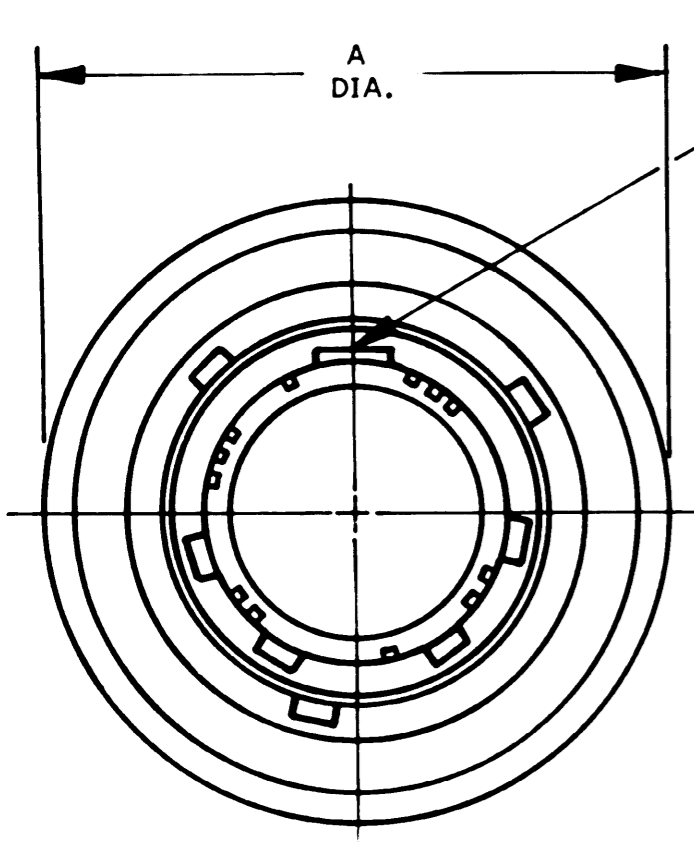


A	B81511D***p**	REVISIONS			
		SYM	DESCRIPTION	DATE	APPROVED
A			REVISED PER E.O. A1811	2-16-84	J. Jensen



PART NUMBER	A +.008 DIA -.007	B DIA. ±.003	C MAX.	D±.015 CONTACT EXTENSION			
				#23	#20	#16	#12
B81511D08***p**	.937	.550	.710	.225	.245	.305	.405
B81511D10***p**	1.062	.675	.710	.225	.245	.305	.405
B81511D14***p**	1.312	.925	.710	.225	.245	.305	.405
B81511D16***p**	1.438	1.051	.710	.225	.245	.305	.405
B81511D18***p**	1.562	1.175	.740	.195	.215	.275	.375

- 5. APPLICABLE DEUTSCH DRAWINGS:
51500 - INSERT ARRANGEMENTS & SHELL KEYING
- 4. MATERIAL: SHELL - COLD ROLL PER QQ-S-637
CONTACTS - PER MIL-C-81511
INSERTS - COMPRESSION GLASS & SILICONE
BASE ELASTOMER
- 3. FINISH: SHELL - TIN PER MIL-T-10727 OVER NICKEL
PER QQ-N-290.
CONTACTS - GOLD PER MIL-G-45204 TYPE II,
CLASS 2 OVER NICKEL PER QQ-N-290.


2. THIS CONNECTOR WILL INTERMATE WITH
MIL-C-81511 SERIES 2.

NOTE: 1. THIS CONNECTOR WILL MEET THE APPLICABLE
PERFORMANCE AND ENVIRONMENTAL REQUIREMENTS
OF MIL-C-81511 CLASS D.

SIGNATURE & DATE	
DR	<i>W. Poynter</i> 11-24-71
CHK	<i>[Signature]</i> 8-67
PE	<i>[Signature]</i>
APPD	<i>[Signature]</i>
SCALE	WT

RECEPTACLE HERMETIC
SOLDER MOUNT
BAYONET COUPLING CONNECTOR
SOLDER CUP TERMINATION
MIL-C-81511 INTERMATING
SHORT SHELL SERIES

ENVELOPE

CP	MATL CODE
The Deutsch Company ELECTRONIC COMPONENTS DIVISION  Municipal Airport Banning, California	
B	B81511D***p**
DWG SIZE	CODE 11139
SHEET 1 OF 1	