



Your Power Partner

# Series AM1LS-N(J)Z

1 Watt | DC-DC Converter



## FEATURES:

- SMD Package
- Single Output Models
- Low Ripple and Noise
- Industry Standard Pinout
- Input / Output Isolation 1500 & 3000 VDC
- Operating Temperature -40°C to +105°C
- RoHS Compliant
- Continuous Short Circuit Protection

## Models Single output



Model	Input Voltage (V)	Output Voltage (V)	Output Current Max / Min (mA)	Isolation (VDC)	Input Current Max   No Load (mA)	Max Capacitive Load (µF)	Efficiency (%) (Typ.)
AM1LS-0303S-NZ‡	2.97-3.63	3.3	303 / 30	1500	404   25	220	69
AM1LS-0305S-NZ‡#	2.97-3.63	5	200 / 20	1500	404   25	220	74
AM1LS-0309S-NZ‡	2.97-3.63	9	111 / 12	1500	404   25	220	80
AM1LS-0312S-NZ‡	2.97-3.63	12	84 / 9	1500	404   25	220	80
AM1LS-0315S-NZ‡	2.97-3.63	15	67 / 7	1500	404   25	220	80
AM1LS-0324S-NZ‡	2.97-3.63	24	42 / 4	1500	404   25	220	80
AM1LS-0503SJZ	4.5-5.5	3.3	303 / 30	1500	270   5	2400	74
AM1LS-0505SJZ**	4.5-5.5	5	200 / 20	1500	270   5	2400	82
AM1LS-0509SJZ	4.5-5.5	9	111 / 12	1500	241   12	1000	83
AM1LS-0512SJZ	4.5-5.5	12	84 / 9	1500	241   12	560	83
AM1LS-0515SJZ	4.5-5.5	15	67 / 7	1500	241   18	560	83
AM1LS-0524SJZ	4.5-5.5	24	42 / 4	1500	241   18	220	85
AM1LS-0503S-NZ***	4.5-5.5	3.3	303 / 30	1500	270   5	2400	74
AM1LS-0505S-NZ***	4.5-5.5	5	200 / 20	1500	270   5	2400	82
AM1LS-0509S-NZ***	4.5-5.5	9	111 / 12	1500	241   12	1000	83
AM1LS-0512S-NZ***	4.5-5.5	12	84 / 9	1500	241   12	560	83
AM1LS-0515S-NZ***	4.5-5.5	15	67 / 7	1500	241   18	560	83
AM1LS-0524S-NZ***	4.5-5.5	24	42 / 4	1500	241   18	220	85
AM1LS-1203S-NZ#	10.8-13.2	3.3	303 / 30	1500	104   15	220	72
AM1LS-1205S-NZ#	10.8-13.2	5	200 / 20	1500	104   15	220	75
AM1LS-1209S-NZ#	10.8-13.2	9	111 / 12	1500	104   15	220	80
AM1LS-1212S-NZ#	10.8-13.2	12	84 / 9	1500	104   15	220	80
AM1LS-1215S-NZ#	10.8-13.2	15	67 / 7	1500	104   15	220	80
AM1LS-1224S-NZ	10.8-13.2	24	42 / 4	1500	104   15	220	80
AM1LS-1505S-NZ	13.5-16.5	5	200 / 20	1500	82   10	220	80
AM1LS-1509S-NZ	13.5-16.5	9	111 / 12	1500	82   10	220	80
AM1LS-1515S-NZ	13.5-16.5	15	67 / 7	1500	82   10	220	80
AM1LS-2403S-NZ‡	21.6-26.4	3.3	303 / 30	1500	52   7	220	71
AM1LS-2405S-NZ‡#	21.6-26.4	5	200 / 20	1500	52   7	220	77
AM1LS-2409S-NZ‡#	21.6-26.4	9	111 / 12	1500	52   7	220	80
AM1LS-2412S-NZ‡	21.6-26.4	12	84 / 9	1500	52   7	220	80
AM1LS-2415S-NZ‡#	21.6-26.4	15	67 / 7	1500	52   7	220	76
AM1LS-2424S-NZ‡#	21.6-26.4	24	42 / 4	1500	52   7	220	80
AM1LS-0303SH30-NZ‡	2.97-3.63	3.3	303 / 30	3000	404   25	220	69
AM1LS-0305SH30-NZ‡#	2.97-3.63	5	200 / 20	3000	404   25	220	74
AM1LS-0503SH30-NZ***	4.5-5.5	3.3	303 / 30	3000	270   5	2400	74
AM1LS-0505SH30-NZ***	4.5-5.5	5	200 / 20	3000	270   5	2400	82
AM1LS-0509SH30-NZ***	4.5-5.5	9	111 / 12	3000	241   12	1000	83
AM1LS-0512SH30-NZ***	4.5-5.5	12	84 / 9	3000	241   12	560	83
AM1LS-0515SH30-NZ***	4.5-5.5	15	67 / 7	3000	241   18	560	83
AM1LS-0524SH30-NZ***	4.5-5.5	24	42 / 4	3000	241   18	220	85
AM1LS-1203SH30-NZ#	10.8-13.2	3.3	303 / 30	3000	104   15	220	72
AM1LS-1205SH30-NZ#	10.8-13.2	5	200 / 20	3000	104   15	220	75
AM1LS-1209SH30-NZ#	10.8-13.2	9	111 / 12	3000	104   15	220	80
AM1LS-1212SH30-NZ#	10.8-13.2	12	84 / 9	3000	104   15	220	80

AM1LS-1215SH30-NZ#	10.8-13.2	15	67 / 7	3000	104	15	220	80
AM1LS-1224SH30-NZ	10.8-13.2	24	42 / 4	3000	104	15	220	80
AM1LS-1515SH30-NZ	13.5-16.5	15	67 / 7	3000	82	10	220	80
AM1LS-2405SH30-NZ‡#	21.6-26.4	5	200 / 20	3000	52	7	220	77
AM1LS-2409SH30-NZ‡#	21.6-26.4	9	111 / 12	3000	52	7	220	80
AM1LS-2415SH30-NZ‡#	21.6-26.4	15	67 / 7	3000	52	7	220	76
AM1LS-2424SH30-NZ‡#	21.6-26.4	24	42 / 4	3000	52	7	220	80

**Models**

**Dual output**

Model	Input Voltage (V)	Output Voltage (V)	Output Current Max / Min (mA)	Isolation (VDC)	Input Current Max   No Load (mA)		Max Capacitive Load(μF)	Efficiency (%)
AM1LS-0305D-NZ‡	2.97-3.63	±5	±100 / ±10	1500	389	25	100	76
AM1LS-0312D-NZ‡	2.97-3.63	±12	±42 / ±5	1500	389	25	100	77
AM1LS-0315D-NZ‡	2.97-3.63	±15	±33 / ±3	1500	389	25	100	78
AM1LS-0505D-NZ***	4.5-5.5	±5	±100 / ±10	1500	244	5	1200	82
AM1LS-0509D-NZ***	4.5-5.5	±9	±56 / ±6	1500	241	12	470	82
AM1LS-0512D-NZ***	4.5-5.5	±12	±42 / ±5	1500	241	12	220	83
AM1LS-0515D-NZ***	4.5-5.5	±15	±33 / ±3	1500	241	18	220	83
AM1LS-0524D-NZ***	4.5-5.5	±24	±21 / ±3	1500	241	18	100	85
AM1LS-1205D-NZ#	10.8-13.2	±5	±100 / ±10	1500	104	15	100	80
AM1LS-1209D-NZ#	10.8-13.2	±9	±56 / ±6	1500	104	15	100	80
AM1LS-1212D-NZ#	10.8-13.2	±12	±42 / ±5	1500	104	15	100	77
AM1LS-1215D-NZ#	10.8-13.2	±15	±33 / ±3	1500	104	15	100	81
AM1LS-1224D-NZ#	10.8-13.2	±24	±21 / ±2	1500	104	15	100	81
AM1LS-1515D-NZ	13.5-16.5	±15	±33 / ±3	1500	103	15	100	81
AM1LS-2405D-NZ‡#	21.6-26.4	±5	±100 / ±10	1500	83	12	100	74
AM1LS-2409D-NZ‡#	21.6-26.4	±9	±56 / ±6	1500	52	10	100	80
AM1LS-2412D-NZ‡#	21.6-26.4	±12	±42 / ±5	1500	52	10	100	76
AM1LS-2415D-NZ‡#	21.6-26.4	±15	±33 / ±3	1500	52	10	100	75
AM1LS-2424D-NZ‡#	21.6-26.4	±24	±21 / ±2	1500	52	10	100	80
AM1LS-0305DH30-NZ‡	2.97-3.63	±5	±100 / ±10	3000	389	25	100	76
AM1LS-0312DH30-NZ‡	2.97-3.63	±12	±42 / ±5	3000	389	25	100	77
AM1LS-0505DH30-NZ***	4.5-5.5	±5	±100 / ±10	3000	244	5	1200	82
AM1LS-0509DH30-NZ***	4.5-5.5	±9	±56 / ±6	3000	241	12	470	83
AM1LS-0512DH30-NZ***	4.5-5.5	±12	±42 / ±5	3000	241	12	220	83
AM1LS-0515DH30-NZ***	4.5-5.5	±15	±34 / ±4	3000	241	18	220	83
AM1LS-0524DH30-NZ***	4.5-5.5	±24	±21 / ±3	3000	241	18	100	85
AM1LS-1205DH30-NZ#	10.8-13.2	±5	±100 / ±10	3000	104	15	100	80
AM1LS-1209DH30-NZ#	10.8-13.2	±9	±56 / ±6	3000	104	15	100	80
AM1LS-1212DH30-NZ#	10.8-13.2	±12	±42 / ±5	3000	104	15	100	77
AM1LS-1215DH30-NZ#	10.8-13.2	±15	±33 / ±3	3000	104	15	100	81
AM1LS-1224DH30-NZ#	10.8-13.2	±24	±21 / ±2	3000	104	15	100	81
AM1LS-1515DH30-NZ	13.5-16.5	±15	±33 / ±3	3000	83	12	100	81
AM1LS-2405DH30-NZ‡#	21.6-26.4	±5	±100 / ±10	3000	52	10	100	76
AM1LS-2409DH30-NZ‡#	21.6-26.4	±9	±56 / ±6	3000	52	10	100	80
AM1LS-2412DH30-NZ‡#	21.6-26.4	±12	±42 / ±5	3000	52	10	100	76
AM1LS-2415DH30-NZ‡#	21.6-26.4	±15	±33 / ±3	3000	52	10	100	75
AM1LS-2424DH30-NZ‡#	21.6-26.4	±24	±21 / ±2	3000	52	10	100	76

‡ With Momentary short circuit protection of 1 second

NOTE: Add suffix "TR" to a part number when ordering in tape and reel package

NOTE: All specifications in this datasheet are measured at an ambient temperature of 25°C, humidity<75%, nominal input voltage and at rated output load unless otherwise specified.

NOTE: Add suffix "-B" to a part number for individual packaging

**AM1LS-1215DH30-NZ, AM1LS-1215SH30-NZ, AM1LS-1224DH30-NZ, AM1LS-1224D-NZ, AM1LS-1224SH30-NZ will be discontinued (EOL) by December 30, 2021; for new designs, please refer to AM1LS-JZ series.**

### Input Specifications

Parameters	Nominal	Typical	Maximum	Units
Voltage Range	3	2.97-3.63		VDC
	5	4.5-5.5		
	12	10.8-13.2		
	15	13.5-16.5		
	24	21.6-26.4		
Absolute Max Input Voltage (1 sec max)	3 Vin		5	VDC
	5 Vin		9	
	12 Vin		18	
	15 Vin		21	
	24 Vin		30	
Filter	Capacitor			

### Isolation Specifications

Parameters	Conditions	Typical	Maximum	Units
Tested I/O Voltage	60 sec	1500 / 3000		VDC
Resistance	500VDC	>1000		MOhm
Capacitance		20		pF

### Output Specifications

Parameters	Conditions	Typical	Maximum	Units
Voltage Accuracy	100% load (see tolerance chart)	±5		%
Short Circuit Protection	Continuous, unless marked with ‡			
Short Circuit Restart	Auto-Recovery			
Line Voltage Regulation	For ±1% of Vin, 3.3V output models only		±1.5	% of Vin
	For ±1% of Vin, others		±1.2	% of Vin
Load Voltage Regulation (10% - 100% Load)	5Vin, 3.3Vout	18	20	%
	5Vin, 5Vout	10	15	%
	5Vin, 9Vout	8	10	%
	5Vin, 12Vout	7	10	%
	5Vin, 15Vout	6	10	%
	5Vin, 24Vout	5	10	%
	Other models, 3.3V single output	18		%
	Other models, 5V single output	12		%
	Other models, 9V single output	8		%
	Other models, 12V single output	7		%
	Other models, 15V single output	6		%
	Other models, 24V single output	5		%
	Other models, 5V dual output	12		%
	Other models, 9V dual output	9		%
	Other models, 12V dual output	8		%
Other models, 15V dual output	7		%	
Other models, 24V dual output	6		%	
Temperature Coefficient	100% load, 5V input models	±0.02		%/°C
	100% load, Others	±0.03		%/°C
Ripple & Noise	5V input, 24V output	50	100	mV p-p
	5V input, other models	30	75	mV p-p
	Others	60	150	mV p-p

### General Specifications

Parameters	Conditions	Typical	Maximum	Units
Switching frequency	100% load, 5V input models	270		KHz
	100% load, others	100		KHz
Operating temperature	With derating above +100	-40 to +105		°C
Storage temperature		-55 to +125		°C
Cooling	Free air convection			
Storage Humidity	Non-condensing		95	% RH
Moisture Sensitivity Level (MSL)	IPC/JEDEC J-STD-020D.1 (5Vin models only)		Level 1	
Case material	Flame retardant plastic (UL94-V0)			

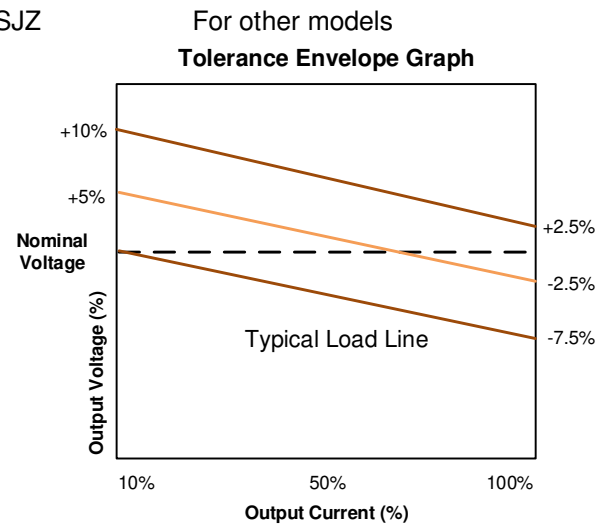
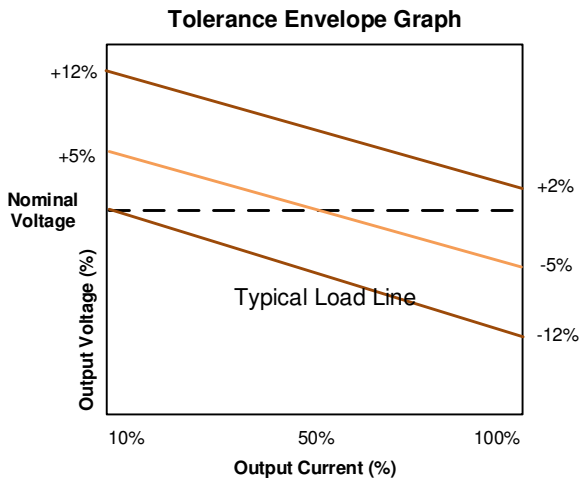
Weight	Single 1.6(5Vin models 1.4) Dual 2(5Vin models 1.4)	g	
Dimensions (L x W x H)	5V Input Single Output Models	0.52 x 0.45 x 0.28inches (13.20 x 11.40 x 7.25mm)	
	Other Single Output Models	0.50 x 0.44 x 0.28inches (12.70 x 11.20 x 7.25mm)	
	5V Input Dual Output Models	0.60 x 0.45 x 0.28inches (15.24 x 11.40 x 7.25mm)	
	Other Dual Output Models	0.60 x 0.44 x 0.28inches (15.24 x 11.20 x 7.25mm)	
MTBF	>3500Khrs (MIL-HDBK -217F, Ground Benign, t=+25°C)		
Maximum soldering temperature	Manual soldering 1.5mm from case for 10 sec	300	°C
	Reflow maximum duration ≤60s at over 217°C	245	°C
Maximum case temperature	130		°C

## Safety Specifications

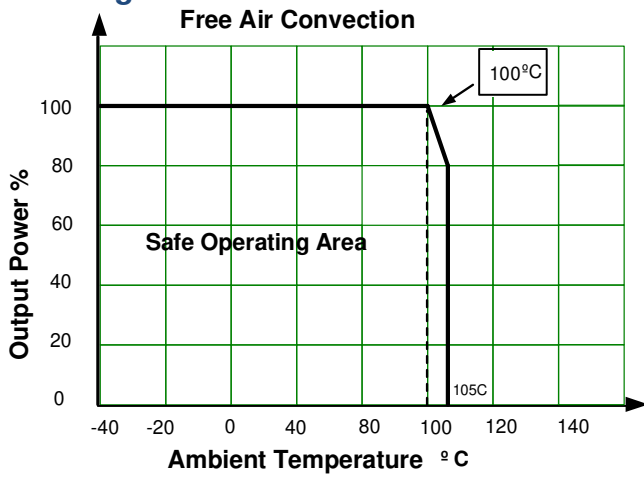
Parameters				
Agency approvals	cULus			
Standards	Information technology Equipment	UL 60950-1 (The models marked with # only) UL 62368 (The models marked with ** only)		
	EMI - Conducted and radiated emission	5V input	CISPR32/EN55032, class B (with the recommended EMC circuit for 5Vin models)	
		Others	EN55022, class B (with the recommended EMC circuit)	
	Electrostatic Discharge Immunity	5V input	IEC 61000-4-2, Contact ±4kV, Air ±8kV, Criteria B (3.3Vout models only) IEC 61000-4-2, Contact ±6kV, Air ±8kV, Criteria B	
		Other single input models	IEC 61000-4-2, Contact ±8kV, Criteria B	
Other dual input models		IEC 61000-4-2, Contact ±6kV, Criteria B		

## Load Accuracy Tolerance Graph

For AM1LS-0503S-NZ, AM1LS-0503SH30-NZ and AM1LS-0503SJZ



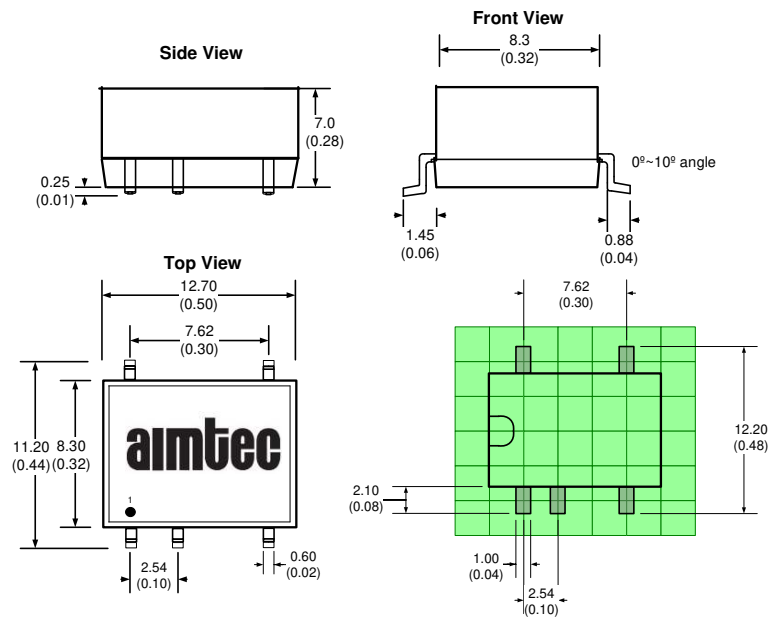
**Derating**



**Pin Out Specifications and Dimensions for 3.3V, 12V, 15V, 24V Input Models##**

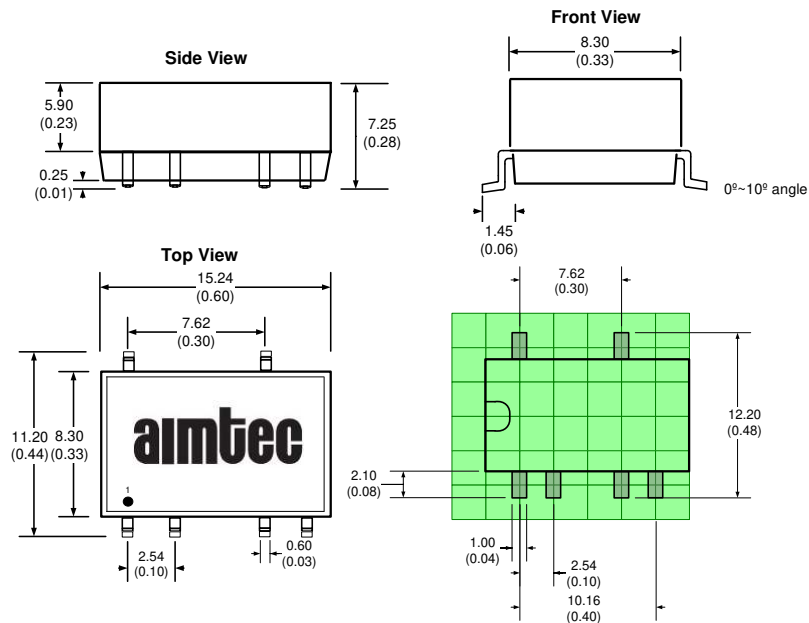
Pin	Single
1	- V Input
2	+ V Input
3	No Pin
4	-V Output
5	+V Output
6	No Pin
7	No Pin
8	N.C.

Single Output Models



Pin	Dual Output Models
1	-V Input
2	+V Input
3	No Pin
4	Common
5	-V Output
6	No Pin
7	+V Output
8	No Pin
9	No Pin
10	N.C.

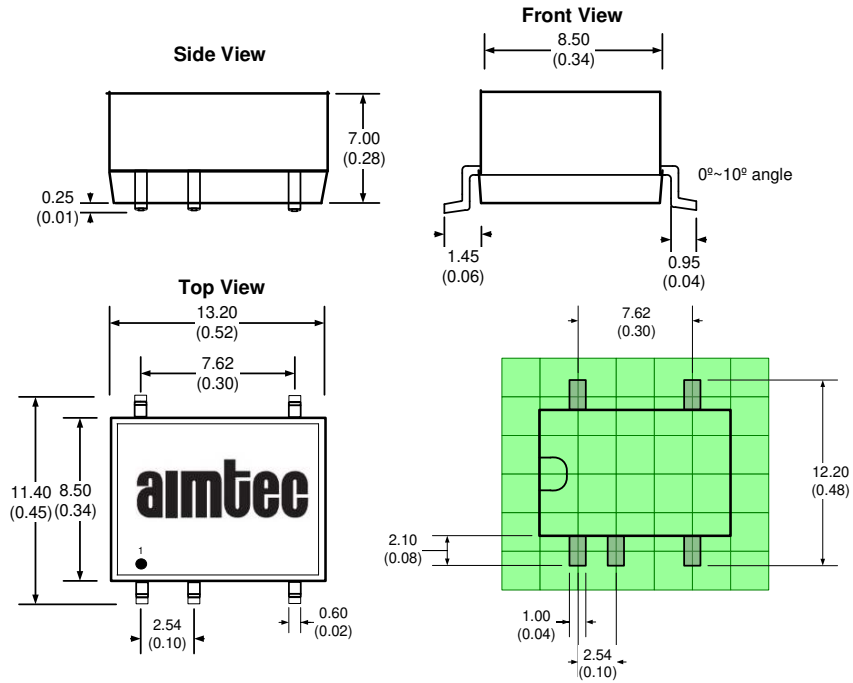
Dual Output Models



**Pin Out Specifications and Dimensions for 5V Input Models**

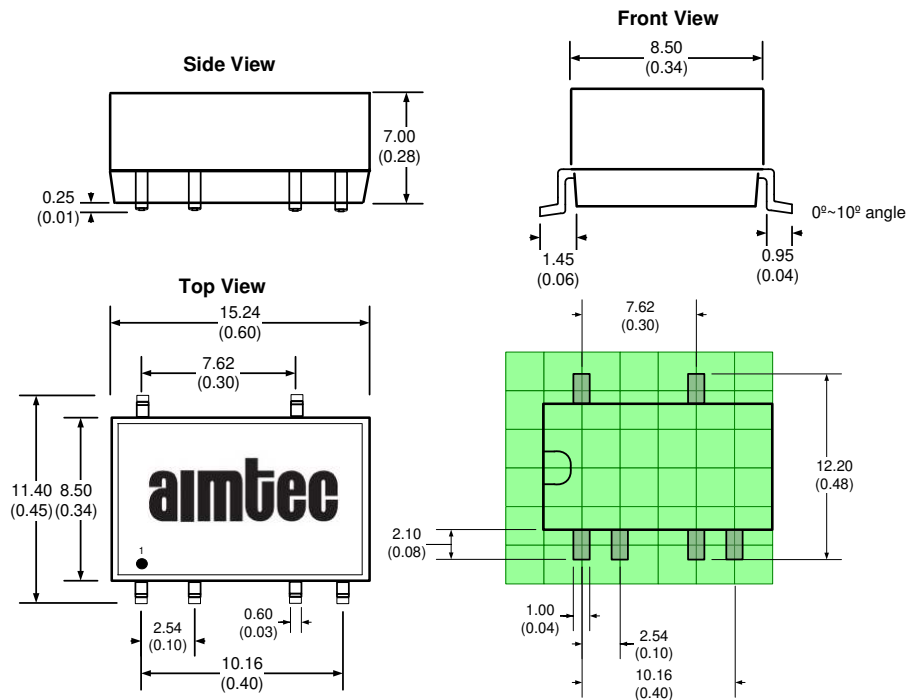
Pin	Single
1	- V Input
2	+ V Input
3	No Pin
4	-V Output
5	+V Output
6	No Pin
7	No Pin
8	N.C.

5V Input Single Output Models



Pin	Dual Output Models
1	-V Input
2	+V Input
3	No Pin
4	Common
5	-V Output
6	No Pin
7	+V Output
8	No Pin
9	No Pin
10	N.C.

5V Input Dual Output Models

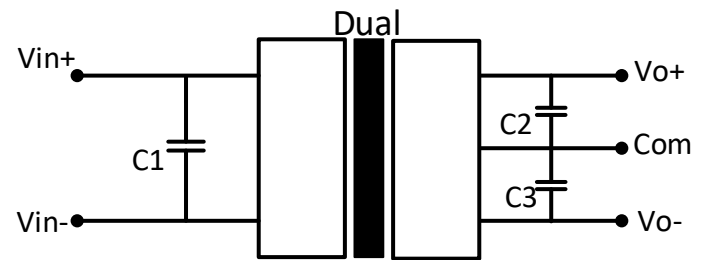
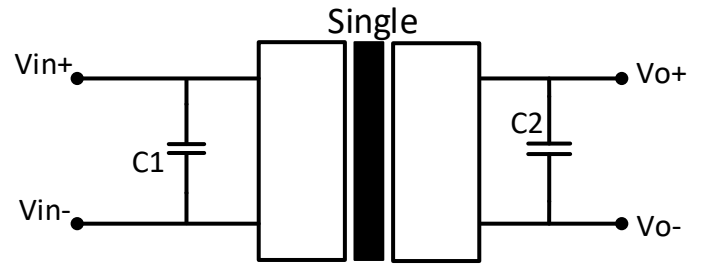


## Typical Application Circuits

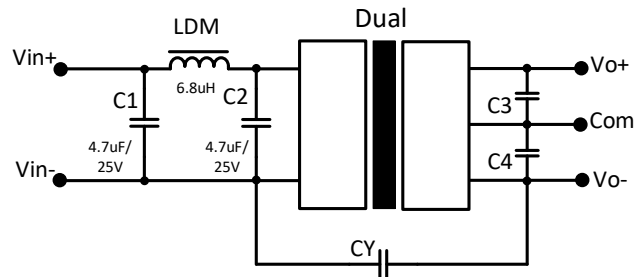
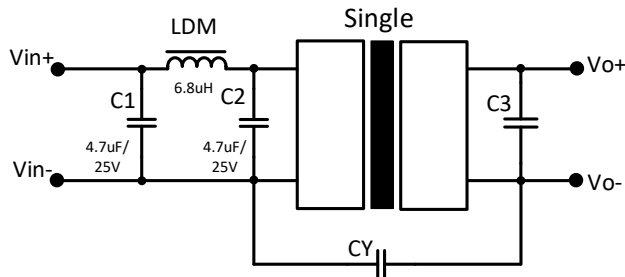
Capacitor selection Table

Vin	C1	Single VDC	C2	Dual VDC	C2/C3
3.3	4.7 $\mu$ F	3.3 V	10 $\mu$ F	$\pm$ 3.3	4.7 $\mu$ F
5	4.7 $\mu$ F	5V/6V	10 $\mu$ F	$\pm$ 5V	4.7 $\mu$ F
		9 V	4.7 $\mu$ F	$\pm$ 9V	2.2 $\mu$ F
12	2.2 $\mu$ F	12 V	2.2 $\mu$ F	$\pm$ 12 V	1 $\mu$ F
15	2.2 $\mu$ F	15 V	1 $\mu$ F	$\pm$ 15 V	1 $\mu$ F
24	1 $\mu$ F	24V	0.47 $\mu$ F	$\pm$ 24 V	1 $\mu$ F

- 1) Ensure output load of Min 10%, or specifications may not be met
- 2) Under normal operation, there is no protection for overload condition
- 3) Converter may exhibit start up delay if capacitive load exceeds recommended
- 4) Ceramic or electrolytic type capacitors are recommended, tantalum type may damage converter
- 5) Parallel connections, or hot swapping is not recommended



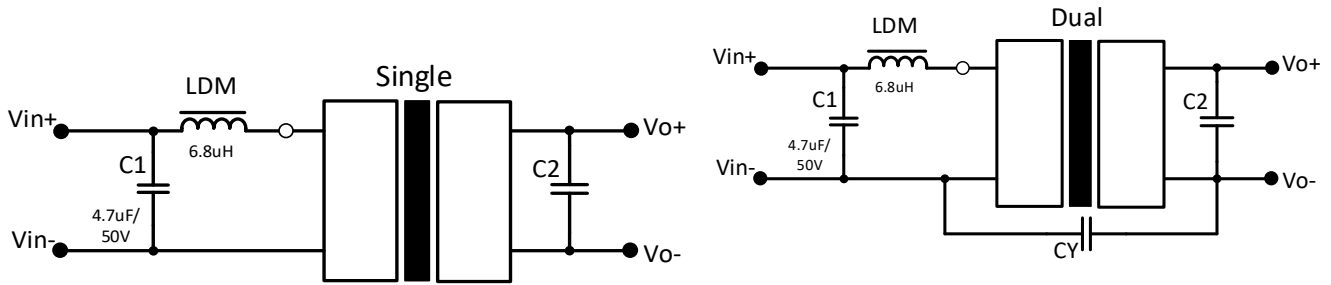
## EMI Recommended Circuit for 5V input models (Class B)



Vout	CY
3.3	-
5	47pF/2KVDC for 1.5KVDC isolation models
9	47p F/4KVDC for 3KVDC isolation models
12	1nF/2KVDC for 1.5KVDC isolation models
15	1nF/4KVDC for 3KVDC isolation models
24	

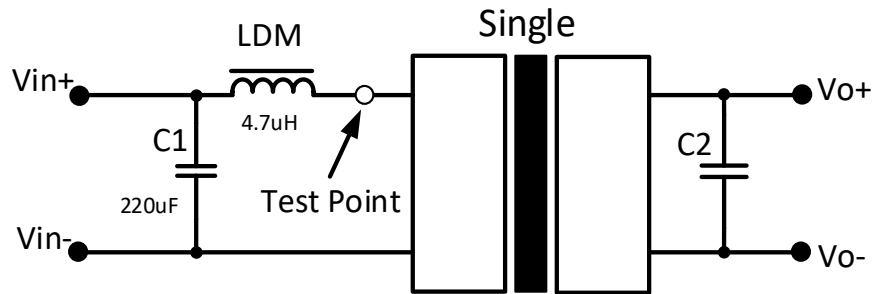


**EMI Recommended Circuit for other input models (Class B)**

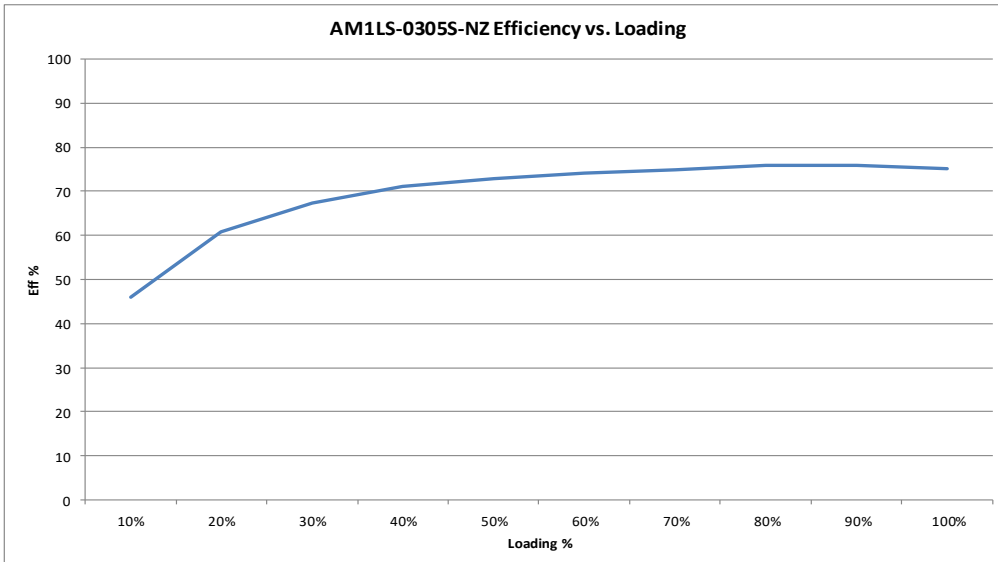


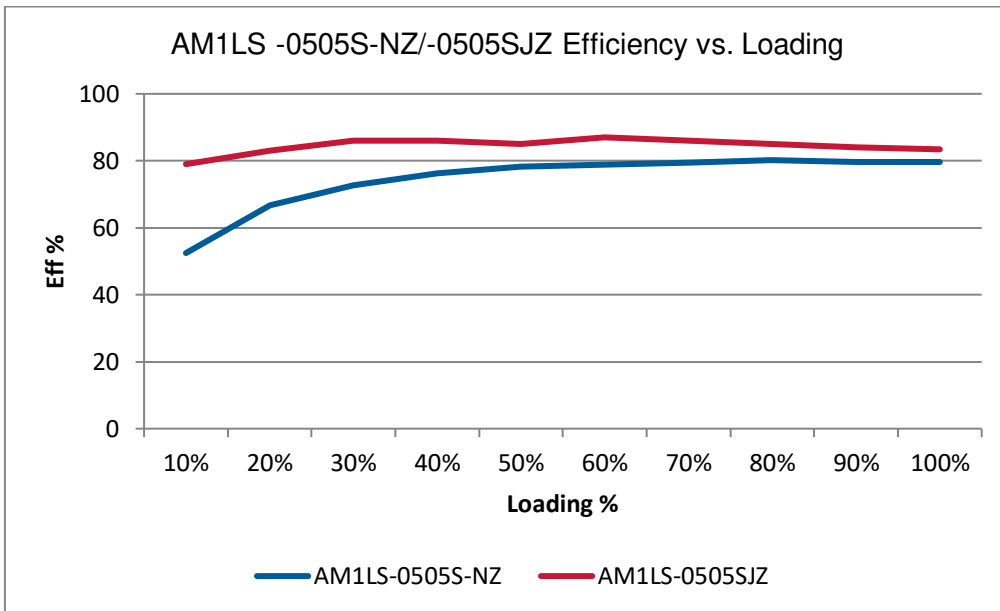
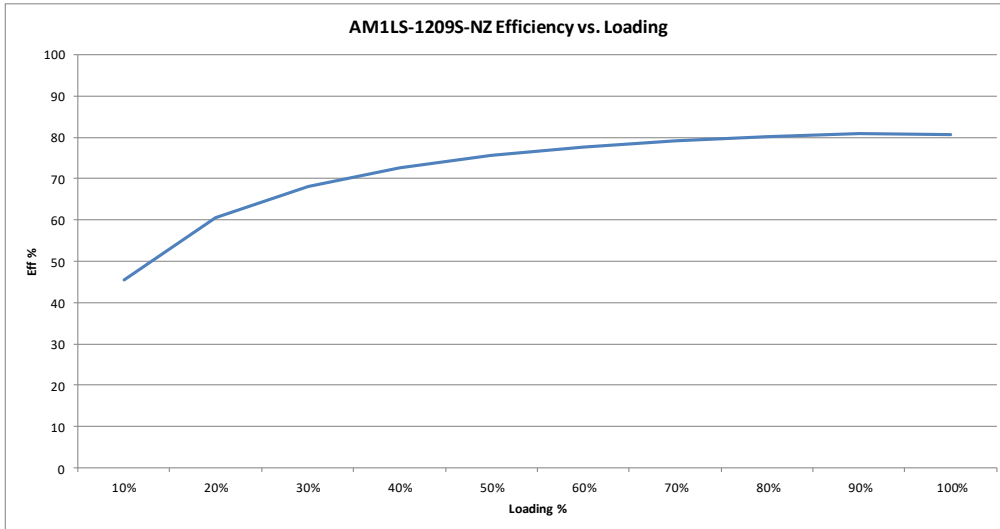
Vin	CY
3.3	-
12	-
15	1nF/2KVDC for 1.5KVDC isolation models
24	1nF/3KVDC for 3KVDC isolation models

**Input Reflected Ripple Current Test Circuit**



**Typical Efficiency vs. Loading**





**NOTE:** **1.** Datasheets are updated as needed and as such, specifications are subject to change without notice. Once printed or downloaded, datasheets are no longer controlled by Aimtec; refer to [www.aimtec.com](http://www.aimtec.com) for the most current product specifications. **2.** Product labels shown, including safety agency certifications on labels, may vary based on the date manufactured. **3.** Mechanical drawings and specifications are for reference only. **4.** All specifications are measured at an ambient temperature of 25°C, humidity < 75%, nominal input voltage and at rated output load unless otherwise specified. **5.** Aimtec may not have conducted destructive testing or chemical analysis on all internal components and chemicals at the time of publishing this document. CAS numbers and other limited information are considered proprietary and may not be available for release. **6.** This product is not designed for use in critical life support systems, equipment used in hazardous environments, nuclear control systems or other such applications which necessitate specific safety and regulatory standards other than the ones listed in this datasheet. **7.** Warranty is in accordance with Aimtec's standard Terms of Sale available at [www.aimtec.com](http://www.aimtec.com).