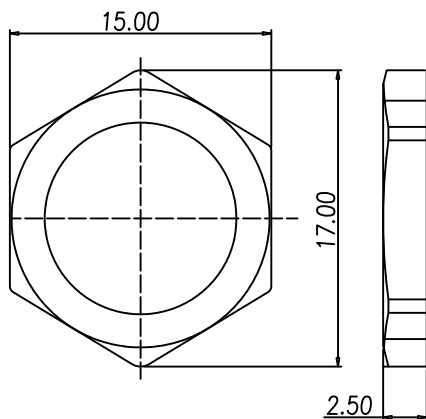


NOTE:

MATERIAL	
HOUSING:	PBT UL94V-0, BLACK
CONTACT:	BRASS
NUT:	BRASS
O-RING:	EPDM, BLACK
BACK HOUSING:	PBT, UL94V-0, BLACK
DOWN HOUSING:	PBT, UL94V-0, BLACK
FINISH	
CONTACT:	GOLD PLATED OVER 50µ" NICKEL SATIN NICKEL 80µ" TO 100µ" OVER
SHELL:	
ELECTRICAL	
RATED CURRENT:	4A
RATED VOLTAGE:	250V
INSULATION RESISTANCE:	100 MΩhms MIN.
CONTACT RESISTANCE:	10 mΩhms MAX.
WATER PROOF:	IP67
ENVIRONMENT	
OPERATION TEMPERATURE:	-40°C TO +85°C

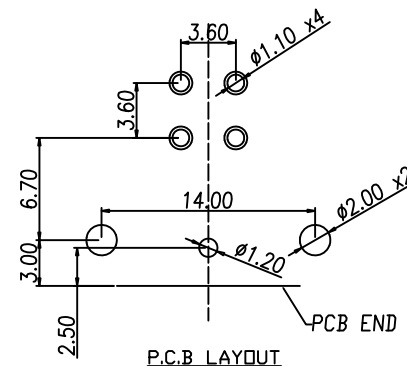
861-004-113R00Y

3 = BRASS/NICKEL SHELL & NUT
 S = STAINLESS STEEL SHELL & NUT
 1 = GOLD FLASH
 4 = 10µ" GOLD



NUT

PANEL CUT-OUT



P.C.B LAYOUT

RoHS COMPLIANT



THESE DRAWINGS AND SPECIFICATIONS ARE THE PROPERTY OF NorComp AND SHALL NOT BE REPRODUCED, COPIED OR USED AS THE BASIS FOR THE MANUFACTURE OR SALE OF APPARATUS WITHOUT WRITTEN PERMISSION.

DRAWN:
M. SIGMON

DATE:
03/07/2016

TOLERANCE

.x	±0.20
.xx	±0.10
.xxx	±0.05
.xxxx	±0.03
ANGULA	±1°

UNITS = mm

NorComp

DO NOT SCALE FROM DRAWING

SCALE: NTS	SHEET 1	OF 1	REV 3
---------------	------------	---------	----------

DWG NO. 861-004-113R00Y