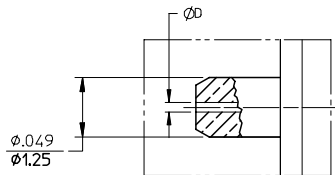
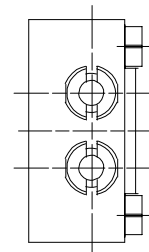
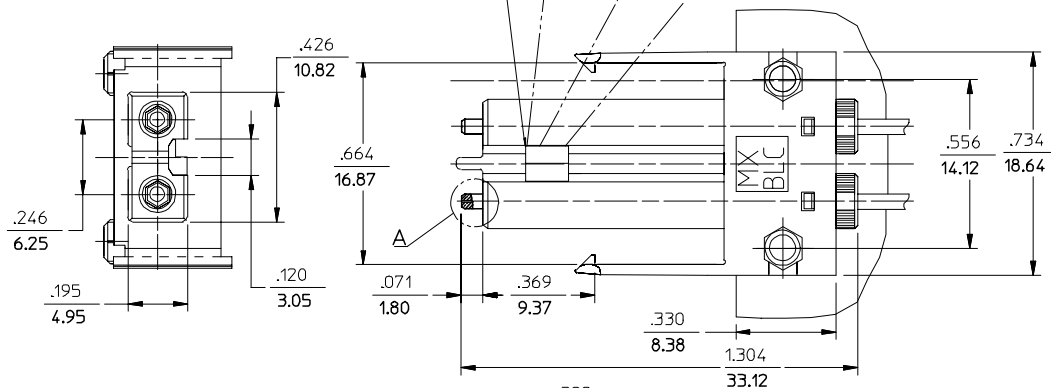
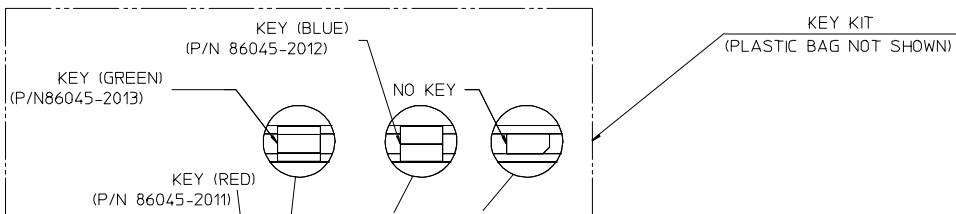
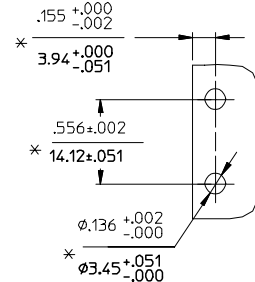
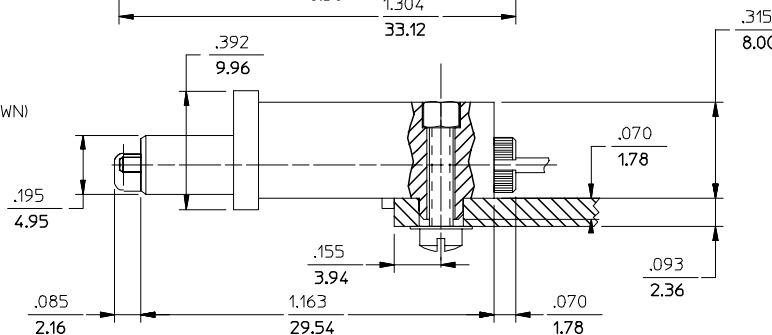


CONNECTOR P/N	ØD (Hm)	CABLE TYPE
106048-2200	125.50	SINGLE MODE
106048-4200	125.00	
106048-5000	126.00	
106048-6200	125.25	



DETAIL A  
SCALE: 10:1

(DUST CAP NOT SHOWN)



RECOMMENDED MOUNTING HOLES  
SCALE 2:1

NOTES:

1. ALL DIMENSIONS ARE FOR REFERENCE ONLY EXCEPT WHEN MARKED WITH \*.
2. KEYS ARE TO BE PACKAGED UNASSEMBLED WITH CONNECTOR IN POLY BAG.

ENTER DESCRIPTION EC NO: MF2006-0263 DRWN:PGIBLIN CHKD: APPR:IGUMIN	QUALITY SYMBOLS ▽=0 ▽=0	GENERAL TOLERANCES (UNLESS SPECIFIED)		DIMENSION STYLE IN/MM		SCALE 4:1	DESIGN UNITS INCH	THIRD ANGLE PROJECTION		
		mm	INCH	DRAWN BY PGIBLIN	DATE 2005/10/20	TITLE BLC/APC CONNECTOR (2 POSITION)				
		4 PLACES	± ---	± ---	CHECKED BY	DATE	APPROVED BY			
		3 PLACES	± ---	± ---	APPROVED BY		DATE	MATERIAL NO. SEE TABLE		
2 PLACES	± ---	± ---	ANGULAR ±1/2°		DOCUMENT NO. SD-106048-XX00		SHEET NO. 1 OF 01			
1 PLACE	± ---	± ---	DRAFT WHERE APPLICABLE MUST REMAIN WITHIN DIMENSIONS		THIS DRAWING CONTAINS INFORMATION THAT IS PROPRIETARY TO MOLEX INCORPORATED AND SHOULD NOT BE USED WITHOUT WRITTEN PERMISSION					