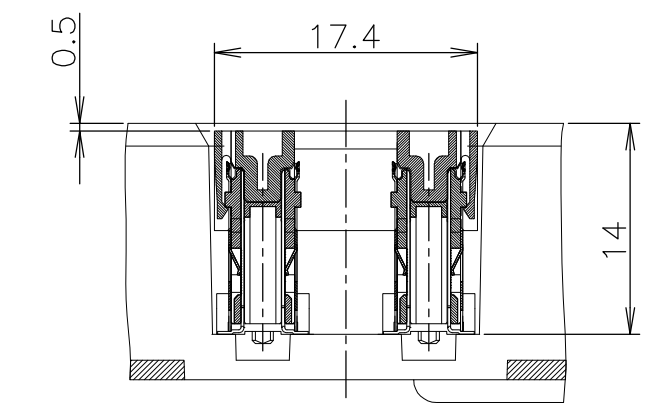
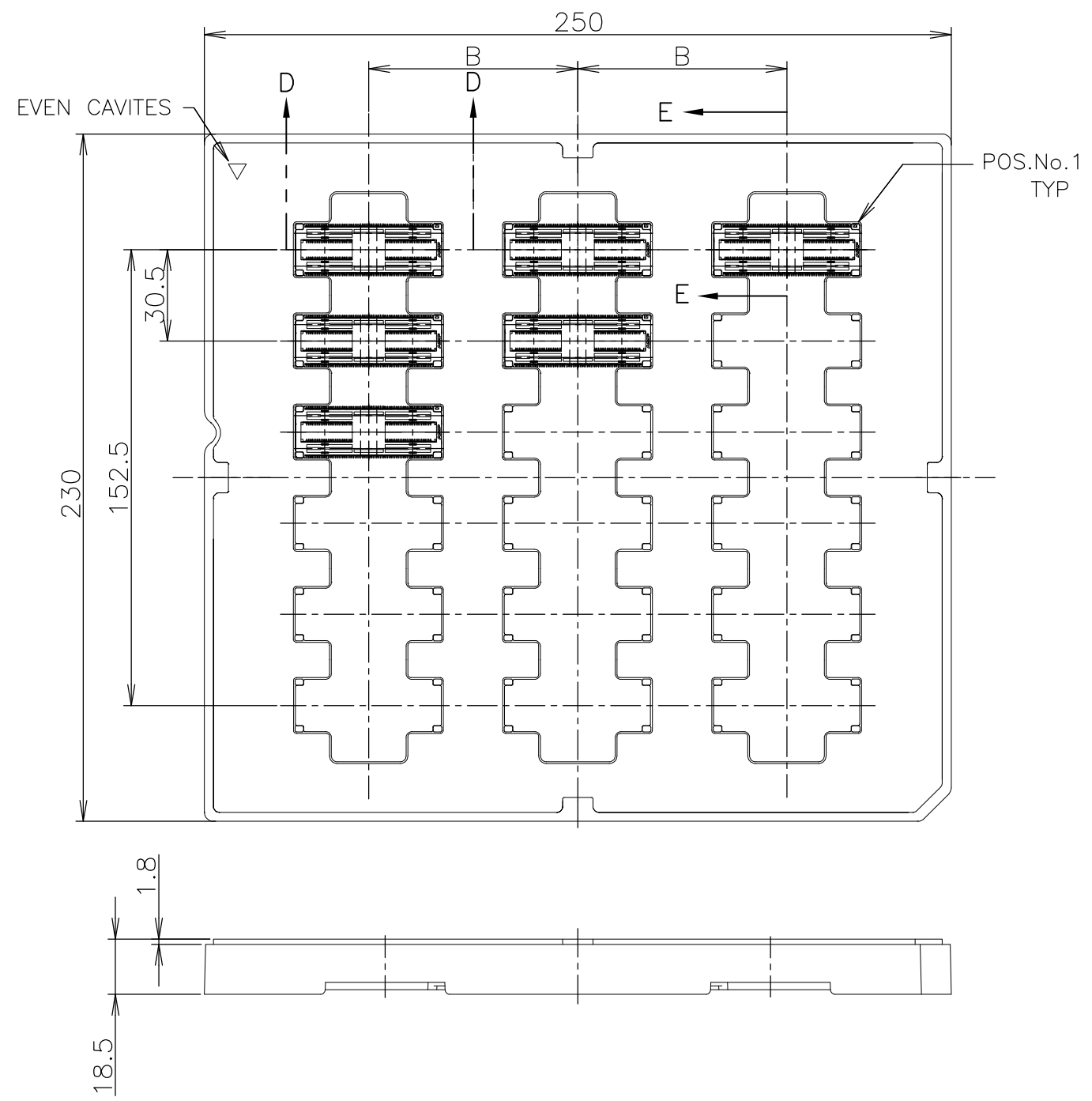
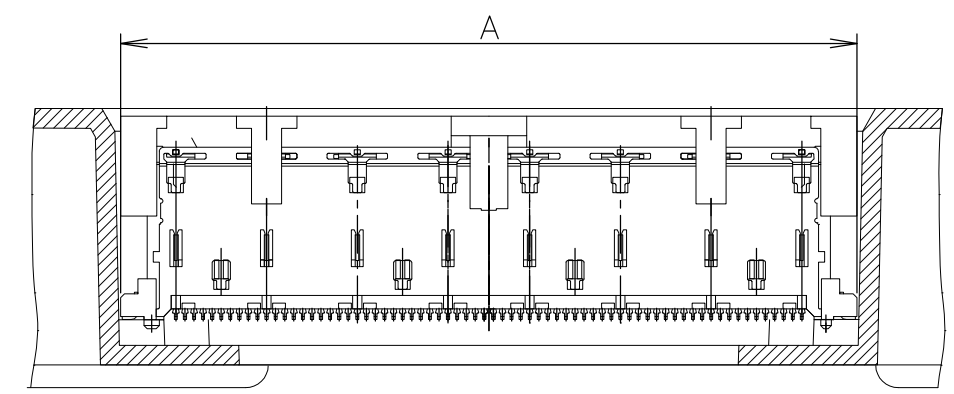


THIS DRAWING IS UNPUBLISHED. RELEASED FOR PUBLICATION JUL ,1997.
 © COPYRIGHT 1997 By - ALL RIGHTS RESERVED.

LOC	DIST	REVISIONS			DATE	DWN	APVD
J		P	LTR	DESCRIPTION			
		B		REVISED ECR-11-019335	20SEP2011	I.T	C.W



E-E
(SCALE 2:1)



D-D
(SCALE 2:1)

NON	AVAILABLE	△4	3	18	70	48.7	280	2-912071-1	2-6123098-0
NON	NOT AVAILABLE	△2	3	18	70	48.7	280	2-912071-1	1-6123098-0
SEALANT	TOOLING STATUS	FINISH	ROW	QTY	B	A	POS.	TRAY P/N	PART NO.

THIS DRAWING IS A CONTROLLED DOCUMENT.

DWN HAWKING HE 13DEC04	TE Connectivity HARD TRAY ASSY FH 0.6BTB CONNECTOR PLUG 12H W/G-PLATE 2ROW TYPE				
CHK STEVEN YAO 13DEC04					
APVD I.ENOMOTO 13DEC04					
NAME I.ENOMOTO					
PRODUCT SPEC 製品規格 108-60047	SIZE A3	CAGE CODE 00779	DRAWING NO 番号 G-6123098	RESTRICTED TO	
APPLICATION SPEC 取付適用規格 114-5255	CUSTOMER DRAWING		SCALE 尺度 1:2	SHEET 1 OF 2	REV B

GENERAL TOLERANCE
一般公差

10 ≥ ±0.2
30 ≥ >10: ±0.25
100 ≥ >30: ±0.3
ANGLES: ±3°

DIMENSIONS:
単位: 耗
mm

TOLERANCES UNLESS
OTHERWISE SPECIFIED:
一般公差

0 PLC ± -
1 PLC ± -
2 PLC ± -
3 PLC ± -
4 PLC ± -
ANGLES ± -

MATERIAL
材料

FINISH
仕上

