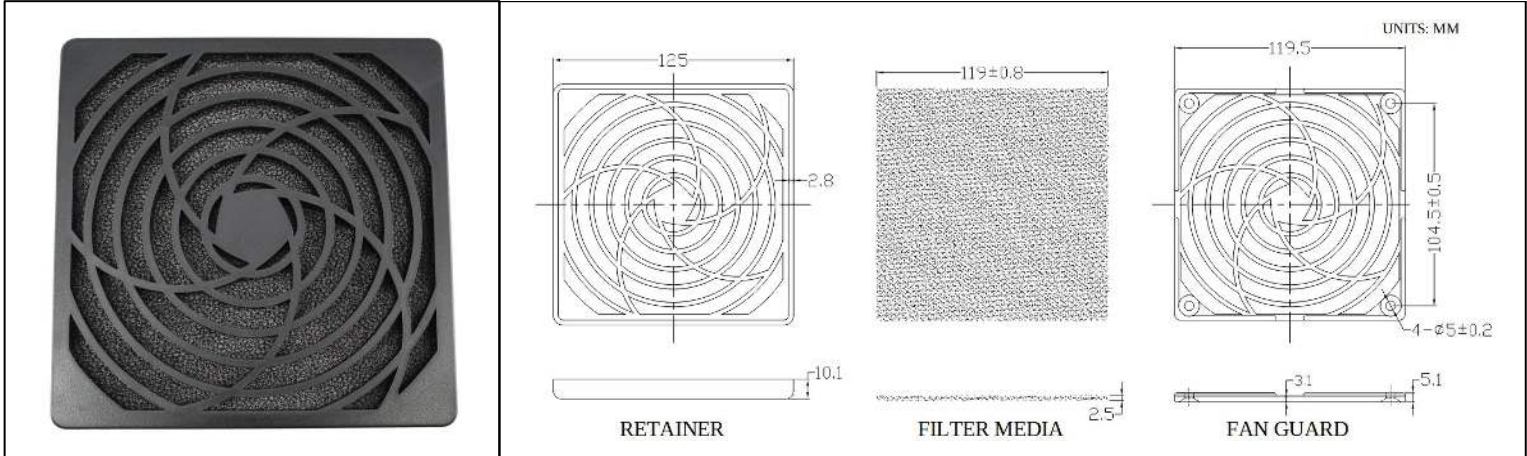


GRM120 Series



Plastic Filter Kit Fits 120mm Fans



Guard & Snap-in Retainer	Plastic - Reinforced ABS-757, UL Approved Materials, Rating UL94V-0	Snap-on Retainer makes cleaning or replacing media simple. No tools required.
Media	<p>Polyurethane Foam material meets UL94 HF-1 or higher.</p> <p>Porous mesh 30PPI, 45PPI, or optional 60PPI available. PPI = Pores Per Inch. 30 or 45 PPI recommended for most fan applications.</p> <p>Low air resistance, filtration of particulate matter, noise abatement.</p>	

Part Number	Description
GRM120-30	120mm Fan filter kit, includes G120P guard, R120P retainer, and M120-30 media
GRM120-45	120mm Fan filter kit, includes G120P guard, R120P retainer, and M120-45 media
GRM120-30/PK	10-Pack GRM120-30 filter kits, Boxed
GRM120-45/PK	10-Pack GRM120-45 filter kits, Boxed