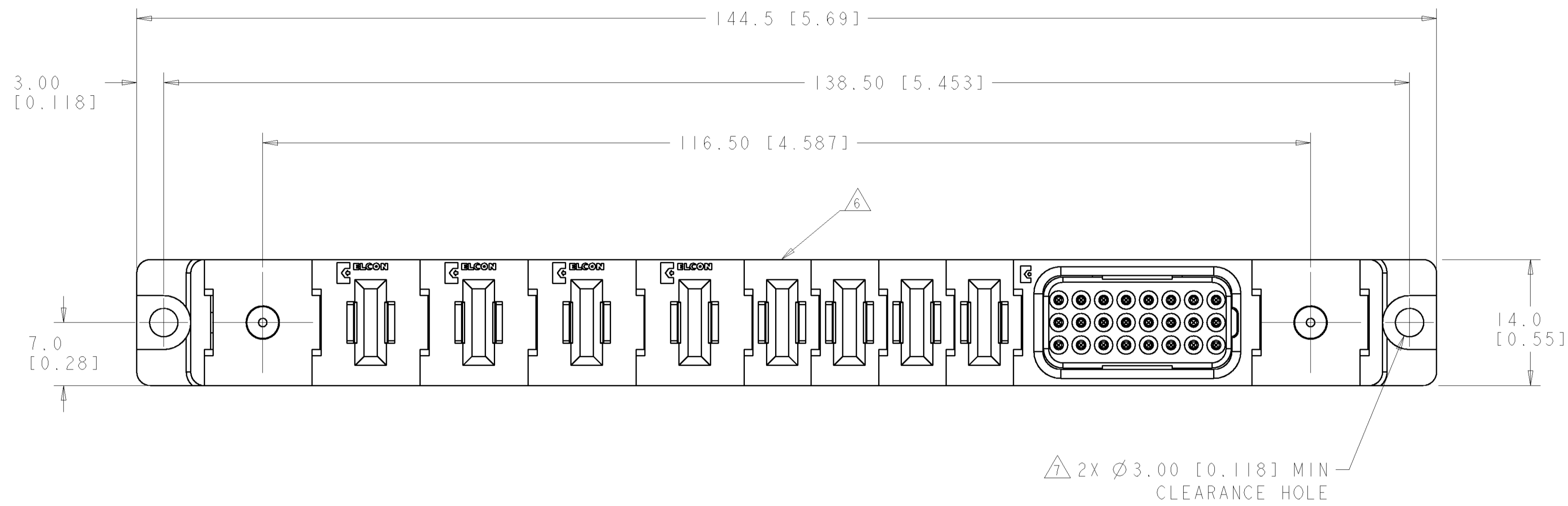
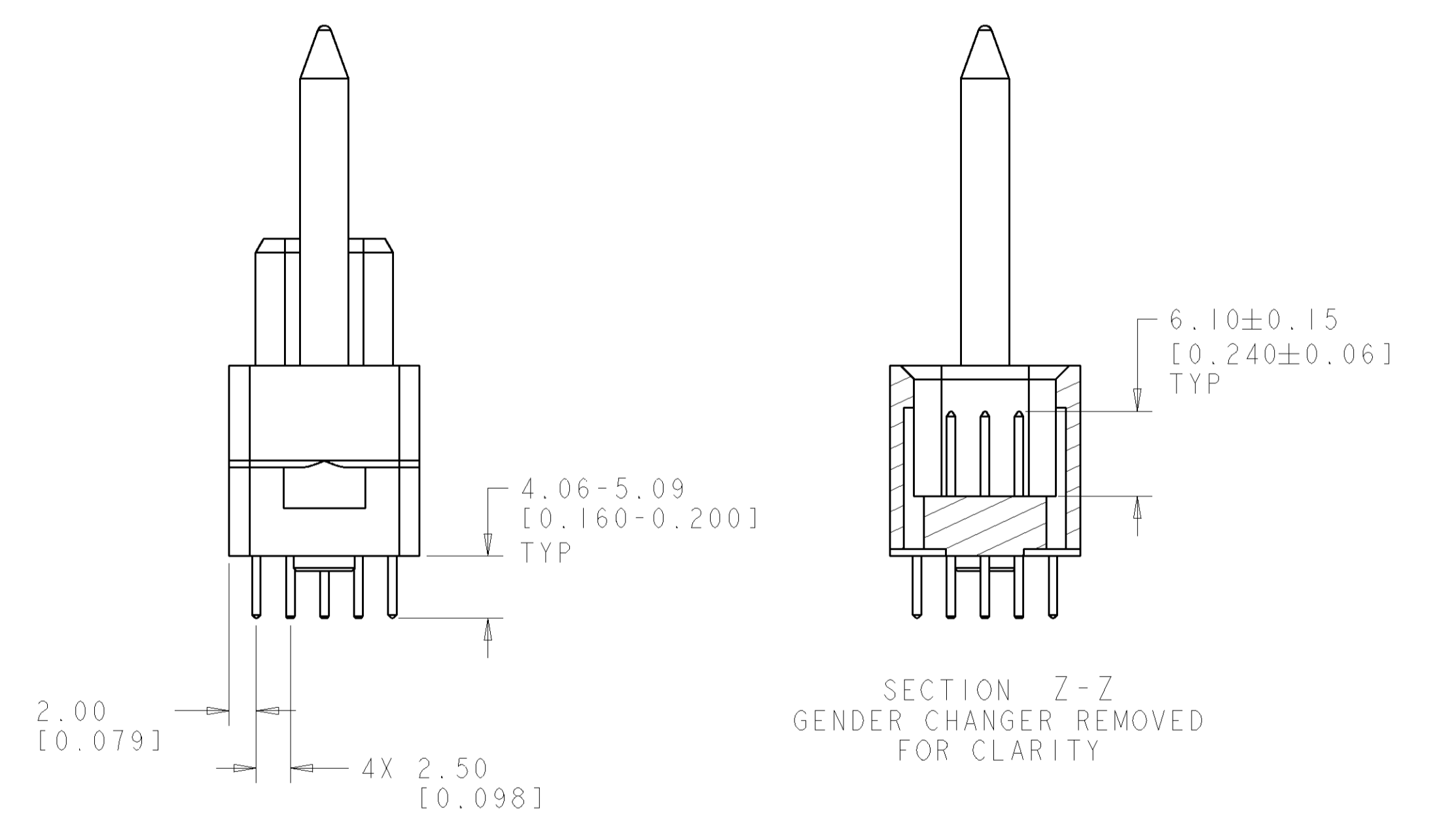
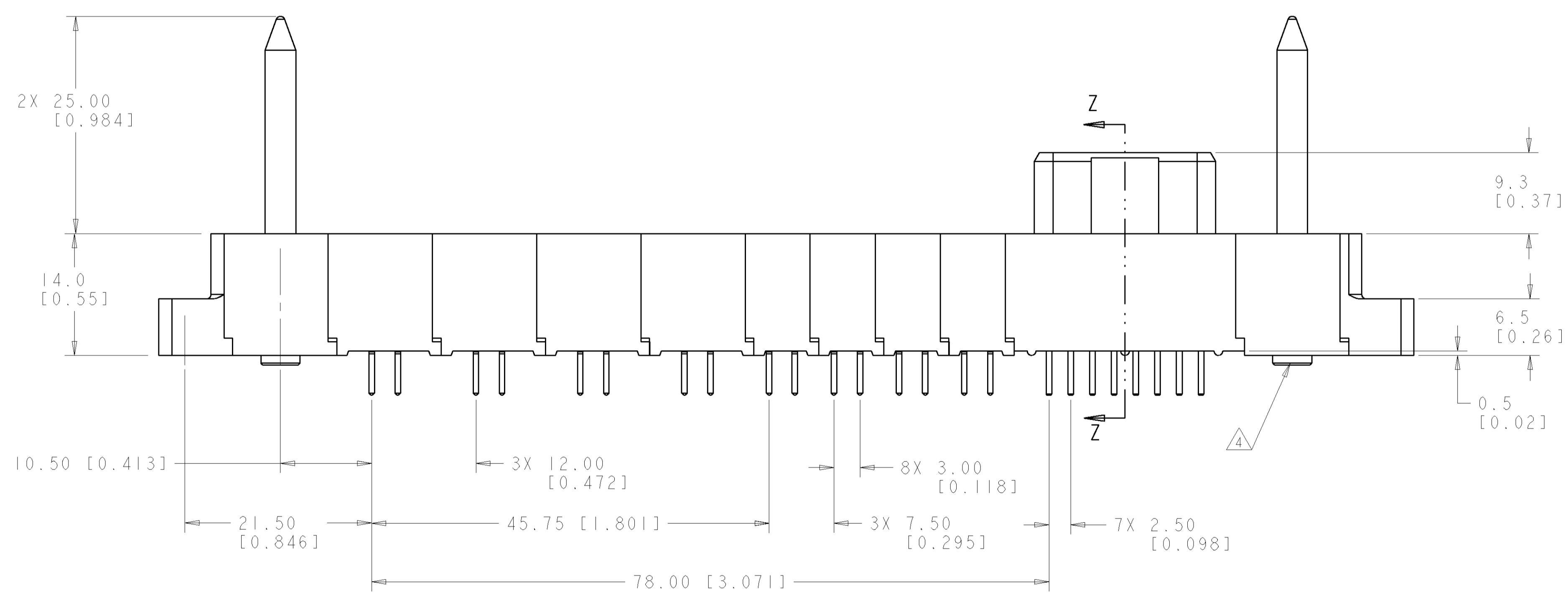


LOC	DIST	REVISIONS					
GP	00	P	LTR	DESCRIPTION	DATE	DRN	APVD
		A		RELEASED	15FEB2007	RG	PD



- PART NUMBER CHANGES AND OR DESIGN CHANGES AFFECTING ITEM INTERCHANGEABILITY REQUIRE PRIOR TYCO APPROVAL AND AUTHORIZATION BY REVISION TO THIS DRAWING.
- MATERIAL:
  - INSULATORS - THERMOPLASTIC, GLASS REINFORCED, COLOR: BLACK UL94V-0 FLAMMABILITY RATED.
  - POWER CONTACTS - PHOSPHOR BRONZE ALLOY, COPPER ALLOY
  - SIGNAL PINS-BRASS ALLOY
  - CROWN BAND-BERYLLIUM COPPER ALLOY
  - GUIDE PIN-COPPER ALLOY
- FINISH:
  - CONTACTS - GOLD PLATE .000030" MIN. THK., OVER NICKEL .000050" MIN. THK
  - TERMINALS- TIN .000120" MIN. THK, OVER NICKEL .000050 MIN THK.
  - GUIDE PIN - SILVER PLATE .000200" MIN THK. OVER NICKEL .00004" MIN THK.

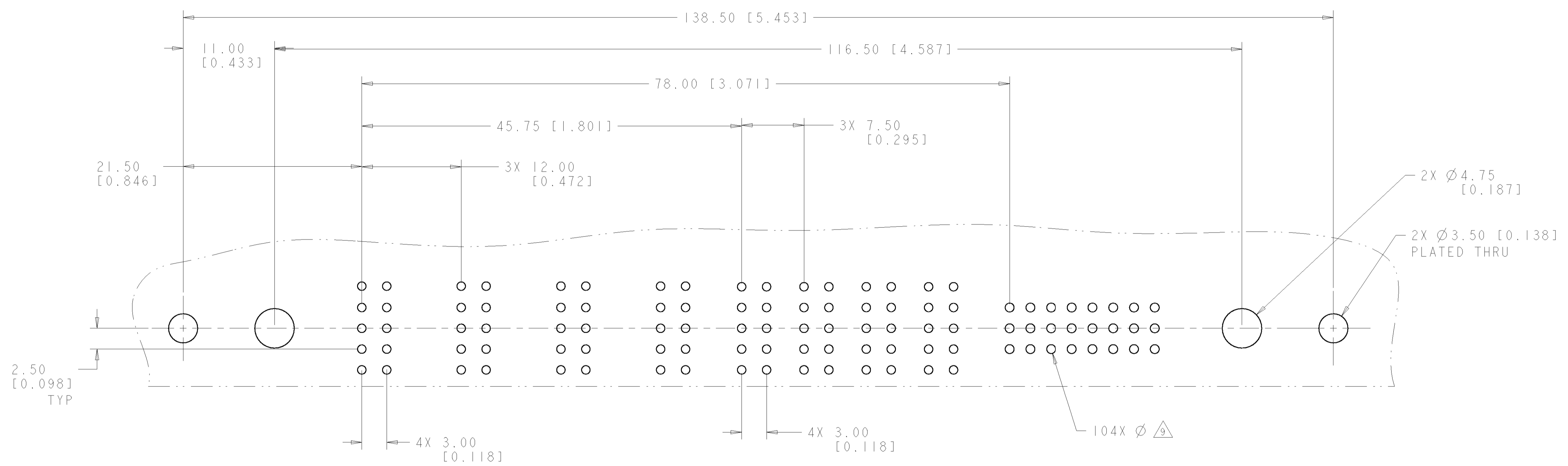
- $\Delta 4$  ACTIVE GUIDE PIN ACCEPT M3 SCREWS, (USER SUPPLIED)
  - THIS CONNECTOR MATES WITH SOCKET CONNECTOR PN 1926308-1
  - $\Delta 6$  ITEMS PROVIDED TO THIS SPECIFICATION TO BE PERMANENTLY IDENTIFIED PER THE FOLLOWING IDENTIFIER LABEL
- TYCO PART NO.      DATE CODE      YEAR      WEEK  
 XXXXXXXX-X      XXXX      (e.g. 0106)
- $\Delta 1$  MOUNTING FLANGES ACCEPT #6 SCREWS. (USER SUPPLIED)



ELCON FLATPAQ

AS SHOWN		1926309-1	
DESCRIPTION		PART NUMBER	
DIMENSIONS: mm [INCHES] TOLERANCES UNLESS OTHERWISE SPECIFIED: 0 PLC ± .5 [0.020] 1 PLC ± .5 [0.020] 2 PLC ± .5 [0.020] 3 PLC ± .5 [0.020] 4 PLC ± .5 [0.020] ANGLES ± .5		DWN: B. GRZYBOWSKI CHK: P. DAMATO APVD: S. FLICKINGER PRODUCT SPEC: APPLICATION SPEC: WEIGHT: CUSTOMER DRAWING	
MATERIAL: FINISH:		NAME: SOCKET CONNECTOR STRAIGHT, SOLDER TAILS FLATPAQ SIZE: A   00779   C=1926309 SCALE: 2:1 SHEET 1 OF 3 REV A	

LOC	DIST	REVISIONS					
GP	00	P.	LTR	DESCRIPTION	DATE	DRN	APVD
-	-	-	-	SEE SHEET 1	-	-	-



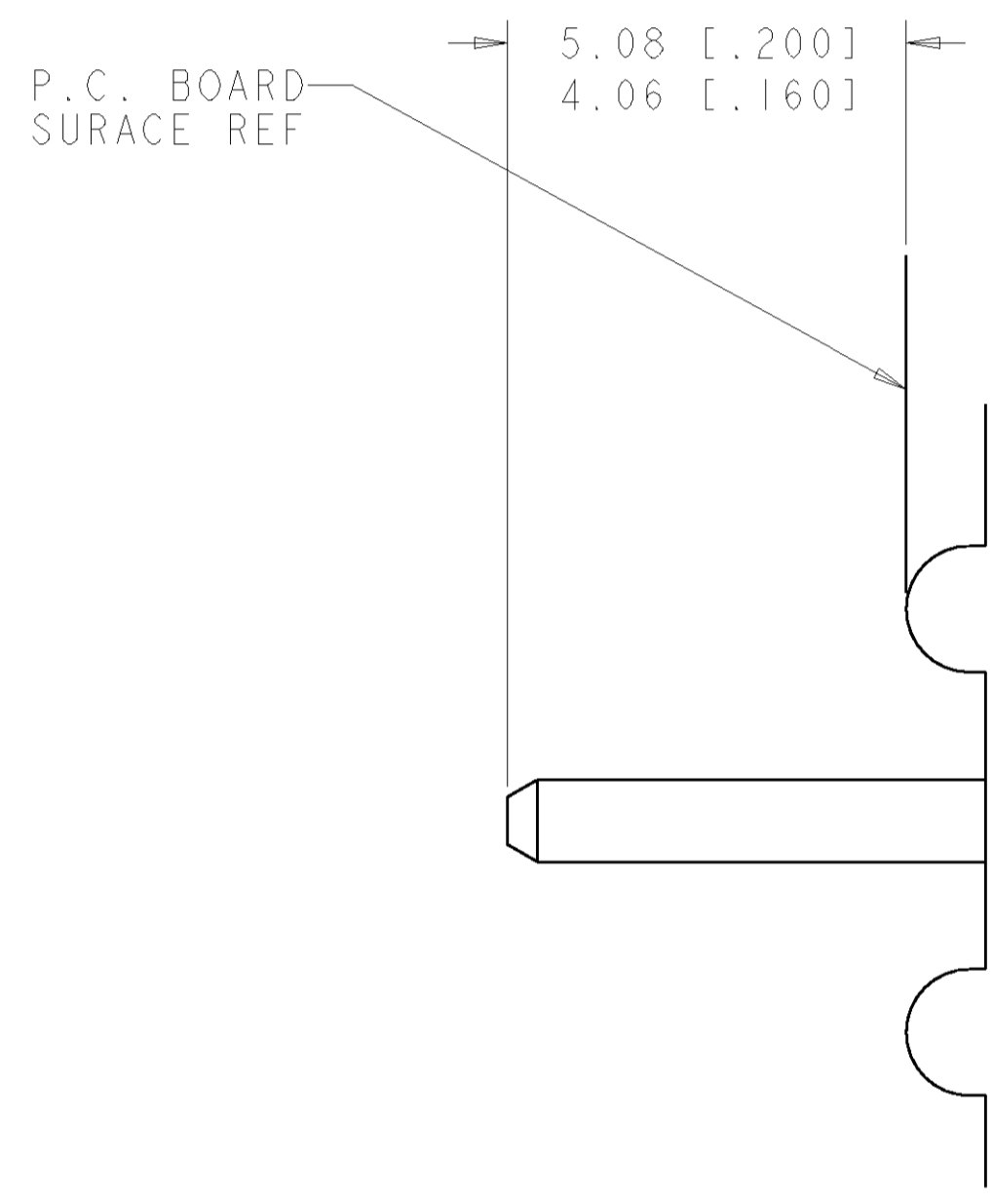
PRINTED CIRCUIT LAYOUT  
 COMPONENT SIDE

CONNECTOR	CATALOG MODULE #	QTY	SIZE NO.	CONTACT QTY	MATING PIN	MAX. CURRENT (PER CONTACT)	CONTACT SPACING	VOLTAGE RATING
SOCKET	FP100	4	8	4	1.25 X 7.00 [.049 X .276]	35 amps	7.50 [0.295]	250 VOLTS
	FP116	4	8	4	1.25 X 7.00 [.049 X .276]	35 amps	12.00 [.4724]	600 VOLTS
	FP301	1	22	24	.64 [.025] SQ.	3 amps	2.50 [.0984]	125 VOLTS
	FP515	2	ACTIVE STRAIGHT GUIDE PIN					
	FP500	1	MOUNTING FLANGE, LEFT					
	FP501	1	MOUNTING FLANGE, RIGHT					

ELCON FLATPAQ

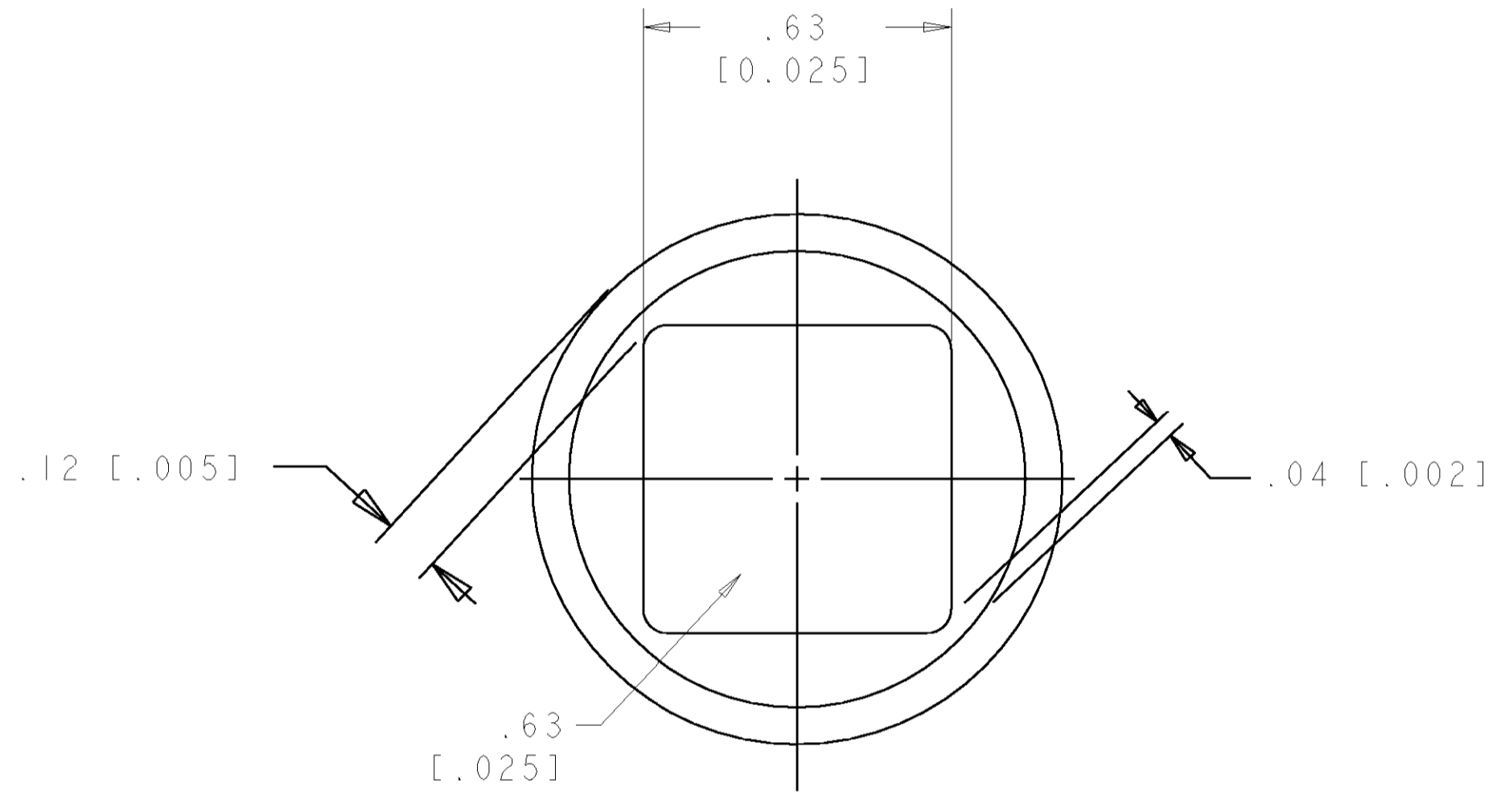
DIMENSIONS: mm [ INCHES ]		TOLERANCES UNLESS OTHERWISE SPECIFIED: 0 PLC ± .5 [ .020 ] 1 PLC ± .5 [ .020 ] 2 PLC ± .25 [ .010 ] 3 PLC ± .25 [ .010 ] 4 PLC ± .25 [ .010 ] ANGLES ± .5		DWN B. GRZYBOWSKI DTDEC06 CHK P. DAMATO DTDEC06 APVD S. FLICKINGER DTDEC06		<b>tyco</b> Tyco Electronics Harrisburg, PA 17105-3608	
MATERIAL - FINISH -		WEIGHT - CUSTOMER DRAWING		NAME SOCKET CONNECTOR STRAIGHT, SOLDER TAILS FLATPAQ		SIZE CAGE CODE DRAWING NO. RESTRICTED TO A 100779 C=1926309 -	
SCALE 2:1 SHEET 2 OF 3 REV A				DATE 11/07/06			

LOC	DIST	REVISIONS			
P	LTR	DESCRIPTION	DATE	DWN	APVD
-	-	SEE SHEET 1	-	-	-



8. SOLDER PIN DETAIL  
SCALE 10 : 1

DIM "A"



9. SOLDER TERMINATION AREA  
SCALE 40:1  
RECOMMENDED PRINTED CIRCUIT SOLDER HOLE  
FINISHED HOLE:  $\varnothing 1.02$  [.040]  $\pm .08$  [.003]  
DRILLED HOLE:  $\varnothing 1.15$  [.0453]  $\pm .013$  [.0005]  
COPPER PLATE: .025 [.0010] MIN  
TIN PLATE: .008 [.0003] MIN. (PER SURFACE)

ELCON FLATPAQ

<small>THIS DRAWING IS UNPUBLISHED. RELEASED FOR PUBLICATION. ALL RIGHTS RESERVED. THIS DRAWING IS THE PROPERTY OF TYCO ELECTRONICS CORPORATION. IT IS TO BE USED ONLY FOR THE PURPOSES AND ORGANIZATION SPECIFIED HEREIN. ANY REUSE OR REPRODUCTION WITHOUT THE WRITTEN PERMISSION OF TYCO ELECTRONICS CORPORATION IS STRICTLY PROHIBITED.</small>		DWN B. GRZYBOWSKI 01DEC06 CHK P. DAMATO 01DEC06 APVD S. FLICKINGER 01DEC06	<b>tyco</b> Harrisburg, PA 17105-3608 Electronics
DIMENSIONS: mm [INCHES]	TOLERANCES UNLESS OTHERWISE SPECIFIED: 0 PLC $\pm$ 1 PLC $\pm .5$ [.020] 2 PLC $\pm .25$ [.010] 3 PLC $\pm$ 4 PLC $\pm$ ANGLES $\pm 5$	NAME SOCKET CONNECTOR STRAIGHT, SOLDER TAILS FLATPAQ	SIZE CAGE CODE DRAWING NO A 100779 C=1926309
MATERIAL -	FINISH -	WEIGHT - CUSTOMER DRAWING	RESTRICTED TO - SCALE 2:1 SHEET 3 OF 3 REV A