

1

2

3

4

5

6

7

A

A

Material:CuZn39Pb3
Plating: Au over Ni

B

B

C

C

D

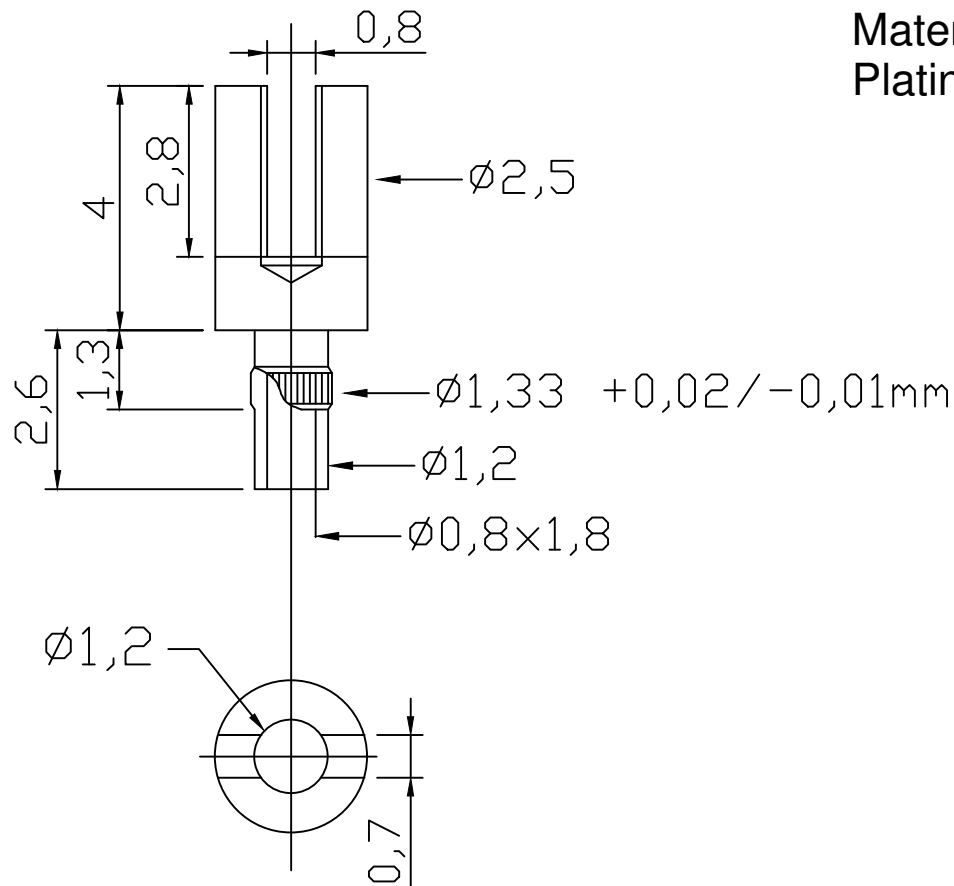
D

E

E

F


F



G

G

RoHS compliant

Scale	1:1					Date	Name	Customer-No.
TOLERANCE						Drawn	09.09.2009	Dean
X.	±X					Approved	09.09.2009	Hellwig
X.X	±X							
X.XX	±X							
DIM	TOL							
X.°	±X°							
X.X°	±X°	①	Drawn	09.09.2009	Dean			
Angle	TOL	Id.	Modification	Date	Name			

Customer-No.

ASSMANN WSW-No.

ALP 57

Drawing-No.

ASS 3707 CO

rev01

Replace

Sheet

H

H

1

2

3

4

5

6

7