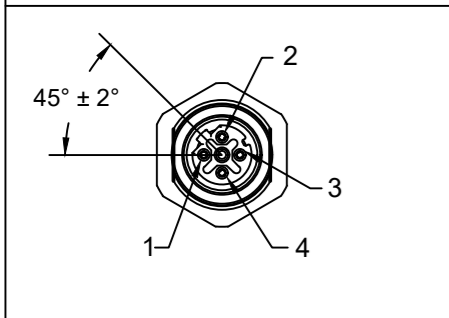


FRONT VIEW-FEMALE

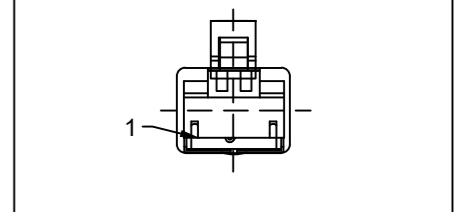


- 1-WHITE/ORANGE
- 2-WHITE/GREEN
- 3-ORANGE
- 4-GREEN

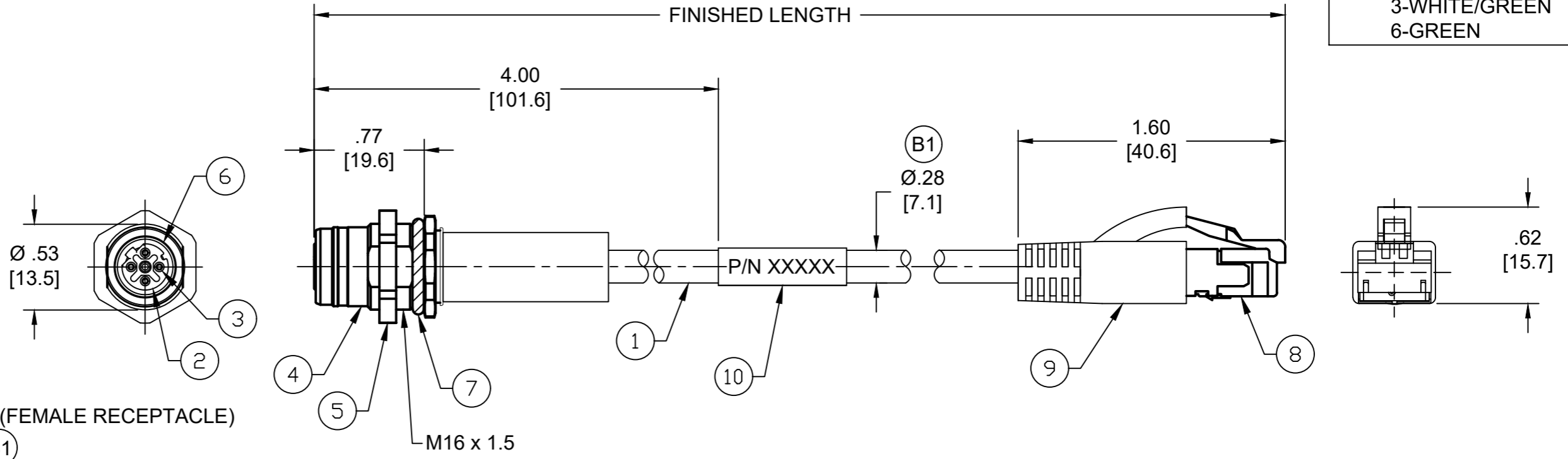
- NOTES:
1. MATERIAL: AS NOTED
  2. FINISH: AS NOTED
  3. ELECTRICAL:  
VOLTAGE: 125V AC/DC (B1)  
CURRENT: 1.5A
  4. TEMP RATING: -20°TO +75°C (B1)
  5. PROTECTION: IP67 WHEN MATED (FEMALE RECEPTACLE)
  6. UL RECOGNIZED FILE: E200650 (B1)
  7. ALL DIMENSIONS ARE FOR REFERENCE  
UNLESS TOLERANCED OR NOTED OTHERWISE

MATERIAL NUMBER	ENGINEERING NUMBER	FINISHED LENGTH
1201080348	ERWPAU7006M003	0.3M [1FT]
1201080313	ERWPAU7006M020	2M[6FT 7 IN]
1201080372	ERWPAU7006M050	5M[16FT 5 IN]

FRONT VIEW - MALE RJ45

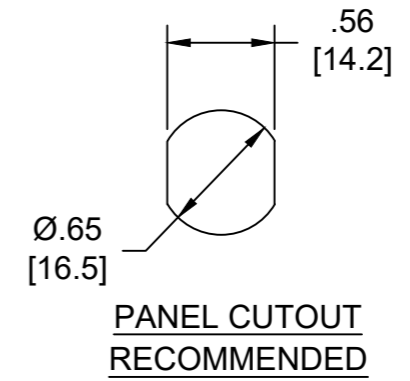


- 1-WHITE/ORANGE
- 2-ORANGE
- 3-WHITE/GREEN
- 6-GREEN



ITEM	DESCRIPTION	MATERIAL	FINISH
10	WRAP LABEL	VINYL	BLACK/WHITE
9	RJ45 BOOT, HOODED	PVC	BLACK
8	RJ45 PLUG	POLYCARBONATE	TRANSPARENT
7	GASKET	FPM	RED
6	O-RING	NITRILE	BLACK
5	PANEL NUT	BRASS	NICKEL PLATED
4	RECEPTACLE SHELL	BRASS	NICKEL PLATED
3	CONTACT SOCKET	COPPER ALLOY	GOLD/NICKEL PLATED
2	FEMALE INSERT	PUR	BLACK
1	CABLE, ETHERNET, 24 AWG	TPE JACKET	BLUE

**PART NUMBER LEGEND**  
**ERWPAU7006M003**  
 ↓  
 FINISHED LENGTH  
 M003 - 0.3 METER  
 M010 - 1 METER  
 M200 - 20 METER



(B1)

**CABLE LENGTH TOLERANCES**

- <.3M [1FT]: +19mm-0 [+ .75in-0]
- .3 - .9M [1 - 3FT]: +44.5mm-0 [+1.75in-0]
- .9 - 1.8M [3 - 6FT]: +55.6mm-0 [+2.19in-0]
- 1.8 - 3.7M [6 - 12FT]: +88.9mm-0 [+3.50in-0]
- 3.7 - 7.3M [12 - 24FT]: +165.1mm-0 [+6.50in-0]
- 7.3-14.6M [24 - 48FT]: +317.5mm-0 [+12.50in-0]
- 14.6 - 30.5M [48-100FT]: +622.3mm-0 [+24.50in-0]
- OVER 30M [100FT] +2% OF FINISHED LENGTH

FUNCTIONAL SYMBOLS F=0 E=0 P=0	THIS DRAWING CONTAINS INFORMATION THAT IS PROPRIETARY TO MOLEX ELECTRONIC TECHNOLOGIES, LLC AND SHOULD NOT BE USED WITHOUT WRITTEN PERMISSION		CURRENT REV DESC: ADDED BOM LIST, TEMP RATING, UL NUMBER, CABLE DIA, MATERIAL NUMBER & TOL CHART.			
	DIMENSION UNITS	SCALE				
	INCH/MM	NTS	4P FR M12 REC/RJ45 ST #24-2P BLUE TPE CAT5E			
	GENERAL TOLERANCES (UNLESS SPECIFIED)		PRODUCT CUSTOMER DRAWING			
4 PLACES ±--- ±---		DOCUMENT NUMBER				
3 PLACES ±--- ±---		SD-120108-055				
2 PLACES ±--- ±---		DOC TYPE/DOC PART/REVISION				
1 PLACE ±--- ±---		PSD 001 B1				
0 PLACES ±--- ±---		MATERIAL NUMBER				
ANGULAR TOL ± --- °		SEE CHART				
DRAFT WHERE APPLICABLE MUST REMAIN WITHIN DIMENSIONS		CUSTOMER				
THIRD ANGLE PROJECTION		GENERAL MARKET				
DRAWING		SHEET NUMBER				
B-SIZE		120108				
SERIES		1 OF 1				