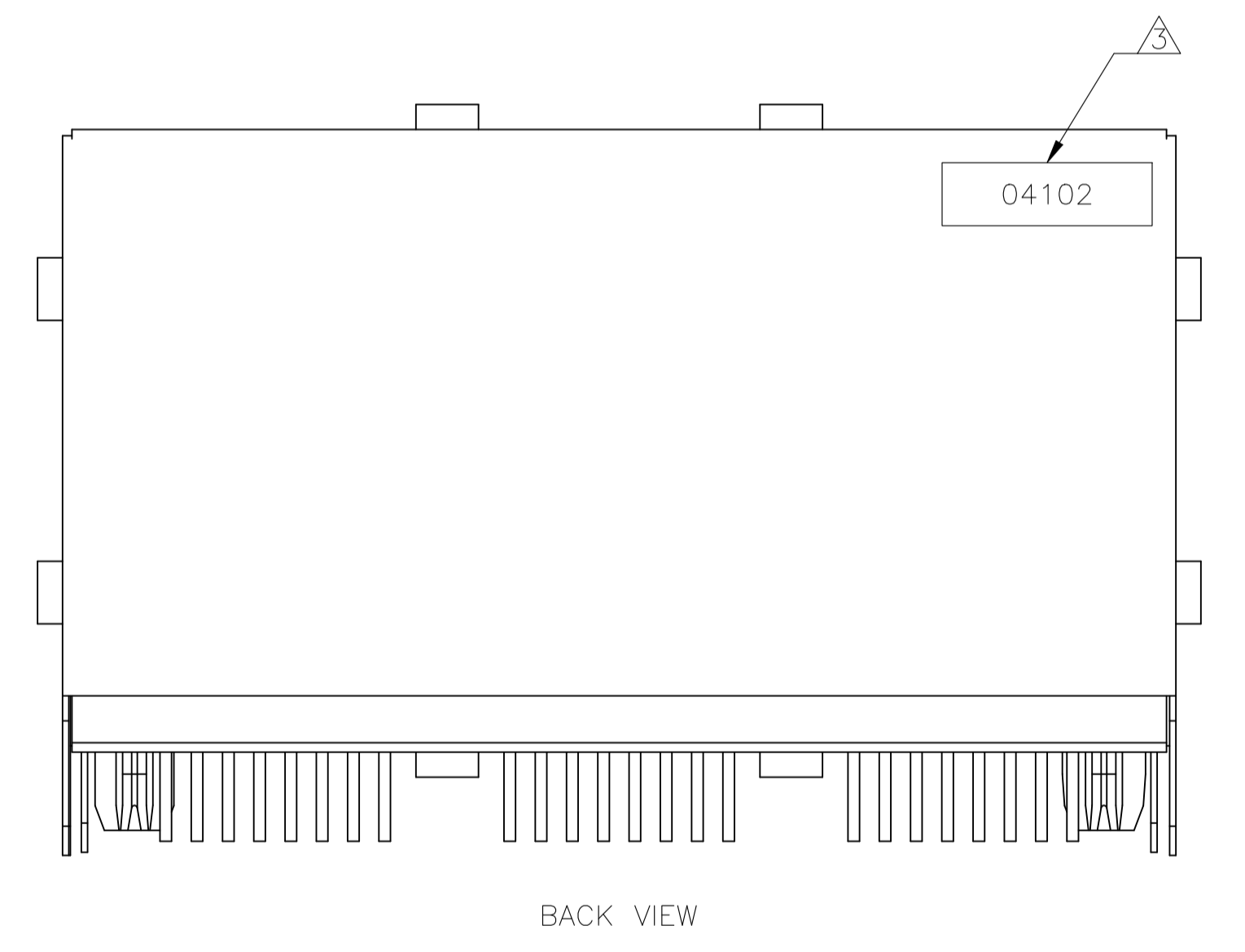
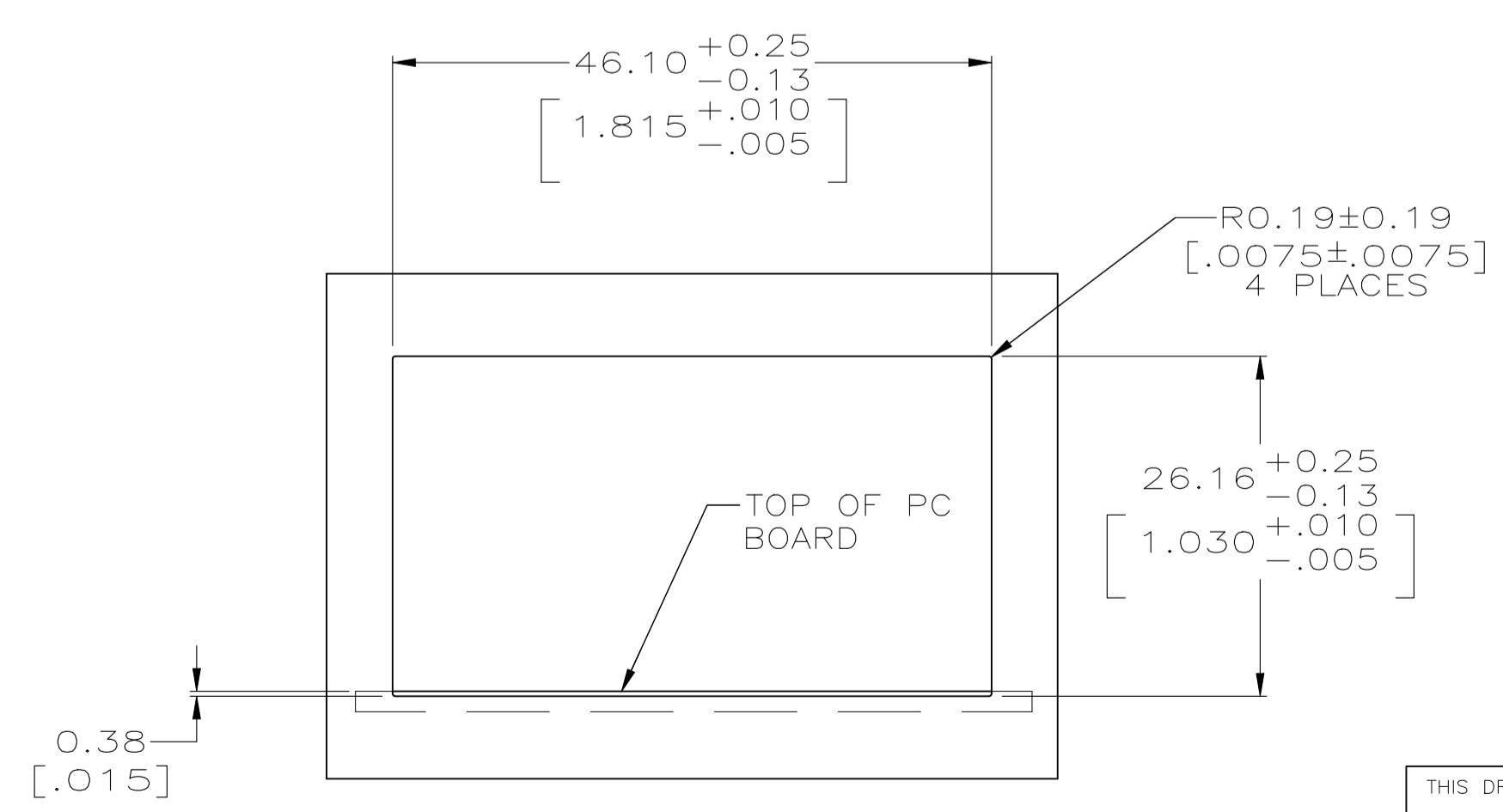


PC BOARD LAYOUT VIEWED FROM COMPONENT SIDE
SCALE 2:1



REVISIONS				
REV	DESCRIPTION	DATE	BY	APP'D
A2	REVISED AS PER ECR-23-169440	19APR2023	JK	WH

- MATERIAL:
HOUSING - PCT POLYESTER, BLACK, UL94V-0.
OVERMOLDED TERMINAL ARRAY - PBT, BROWN.
TERMINALS - 0.33 [.013] THICK PHOS BRONZE PLATED WITH 1.27um [.000050] MIN THICK HARD GOLD IN LOCALIZED AREA AND 3.81um [.000150] MIN THICK MATTE TIN IN SOLDER AREA OVER 1.27um [.000050] MIN THICK NICKEL UNDERPLATE.
OUTER SHIELD AND INNER SHIELD - 0.25 [.010] THICK COPPER ALLOY PLATED WITH 1.27 um [.000050] MINIMUM NICKEL AND 2.03 um [.000080] MINIMUM HOT TIN DIPON PCB GROUND TABS.
- JACK CAVITY CONFORMS TO FCC RULES AND REGULATIONS, PART 68 SUBPART F.
- DATE CODE LOCATED ON REAR OF PART APPROXIMATELY AS SHOWN:
FIRST 2 DIGITS ARE LAST 2 DIGITS OF YEAR,
SECOND 2 DIGITS ARE MANUFACTURING WORK WEEK,
LAST DIGIT IS DAY OF WEEK, WITH SUNDAY = 1.

THIS DRAWING IS A CONTROLLED DOCUMENT.		DWG NO. A. FERNANDEZ-DOCKS 15JUN2005	5569261-1 PART NUMBER	
DIMENSIONS: mm [INCHES]	TOLERANCES UNLESS OTHERWISE SPECIFIED:	CHK J. WESTMAN 15JUN2005	STE TE Connectivity	
0. PLC ± -	1. PLC ± -	APP'D S. FLICKINGER 15JUN2005	NAME STACKED MODULAR JACK ASSEMBLY, 2x3 PORT, 8 POSITION, SHIELDED, PANEL GROUND, CATEGORY 5	
2. PLC ± 0.25(.01)	3. PLC ± 0.13(.005)	PRODUCT SPEC 108-1163-2	APPLICATION SPEC 114-2048	
4. PLC ANGLES ± -		SIZE A1	CAGE CODE 00779	DRAWING NO. 5569261
MATERIAL	FINISH	WEIGHT 0.000000	SCALE 4:1	SHEET 1 of 1
		CUSTOMER DRAWING	REV A2	