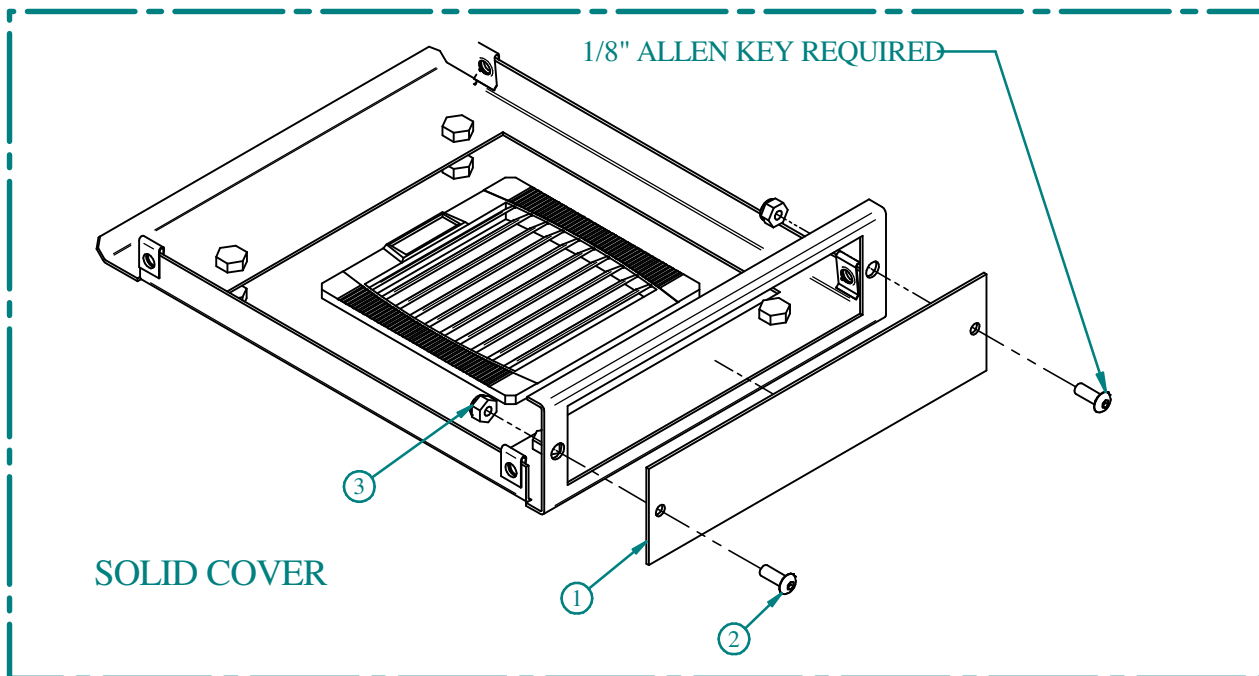
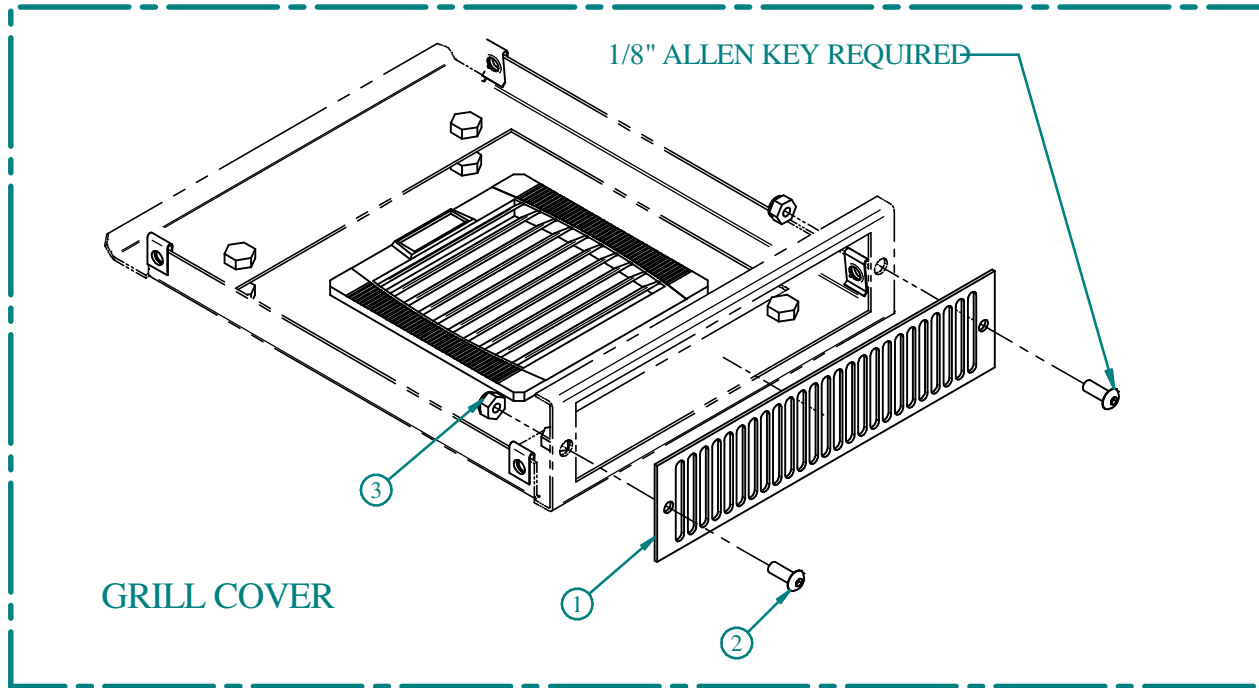


RHA - GRILL/SOLID COVER KIT

BUL86019

REV. B



A) Fasten Grill/Solid Cover to the bottom of the rainhood using hardware provided.

PART #	QTY.	DESCRIPTION
1	1	GRILL/SOLID COVER
2	2	SCREW 10-32 BUTTON HEAD, SS
3	2	NUT 10-32 NYLON INSERT, SS

