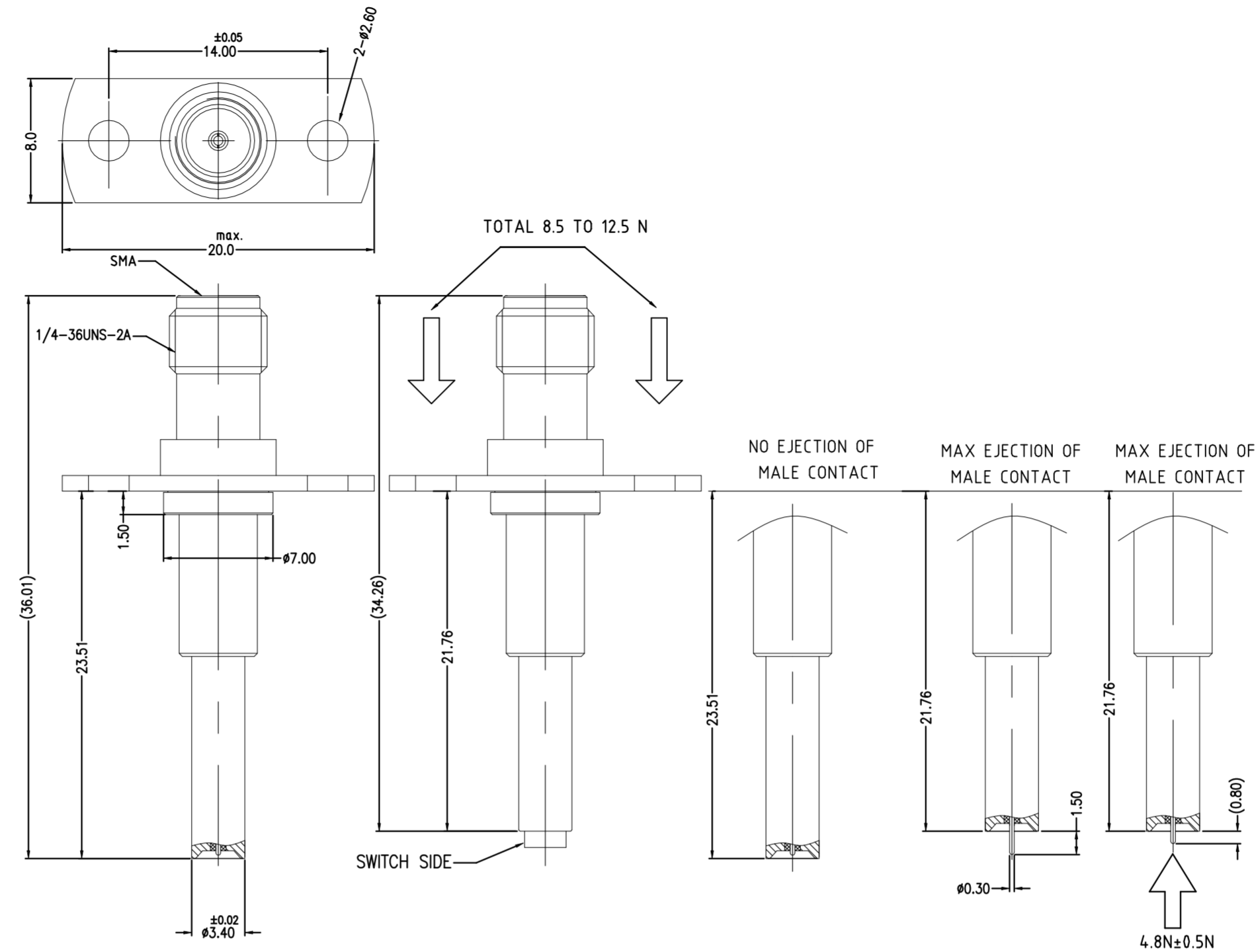


REVISIONS				
P	LTR	DESCRIPTION	DATE	APVD
A		ECN-22-152748	11MAY2022	PZ WKH



ELECTRICAL	MECHANICAL	ENVIRONMENTAL
Impedance (Ohm): <u>50</u> Frequency Range: <u>DC to 6GHz</u> Voltage Rating (Peak) @ Sea Level <u>170 V RMS</u> Insulation Resistance (MIN.) <u>500 M ohms</u> Contact Resistance (mohms MAX) Center Contact <u>50</u> Outer Contact <u>20</u> Dielectric Withstand Voltage: <u>500 V RMS Max</u> Insertion Loss :<0.6 dB @0-6GHz VSWR: <u>1.3 max @ DC ~6GHz</u>	Interface Dimension <u>SMA Female to SWITCH</u> Force to Engage and Disengage Engage: <u>N/A</u> Disengage: <u>N/A</u> CONDUCTOR ELASTICITY: OUTER CONDUCTOR ELASTICITY(PRESS 1.75±0.05mm) <u>300gf~500gf</u> INNER CONDUCTOR ELASTICITY(PRESS 0.7±0.05mm) <u>400gf~550gf</u> Cable Retention Axial (Lbs) <u>N/A</u> Mating cycles <u>10000</u> cycles (SWITCH SIDE) <u>500</u> cycles (SMA)	TEMPERATURE RANGE <u>-40 °C~+85 °C</u> ROHS <u>COMPLIANT</u>

2408014-1	SPRING	STAINLESS STEEL	PASSIVATION
	CONTACT PIN	BERYLLIUM COPPER	PL.GOLD50u*/NICKEL/COPPER
	INSULATOR	PTFE MIL-P-19468	N/A
	BODY	STAINLESS STEEL	PASSIVATION
	PART NUMBER	MATERIAL	PLATING

THIS DRAWING IS A CONTROLLED DOCUMENT.		DWN	18FEB2022	TE Connectivity NAME SMA FEMALE S/T TO SWITCH BLINDMATE ADAPTOR	RESTRICTED TO
		CHK	18FEB2022		
		APVD	18FEB2022		
		PRODUCT SPEC			
DIMENSIONS: mm 		TOLERANCES UNLESS OTHERWISE SPECIFIED: 0 PLC ± - 1 PLC ± 0.2 2 PLC ± 0.1 3 PLC ± 0.05 4 PLC ± - ANGLES ± 5°		APPLICATION SPEC - WEIGHT -	SIZE A2
MATERIAL		FINISH		CAGE CODE 00779	DRAWING NO C=2408014
CUSTOMER DRAWING				SCALE	1:1
				SHEET	1 OF 1
				REV	A