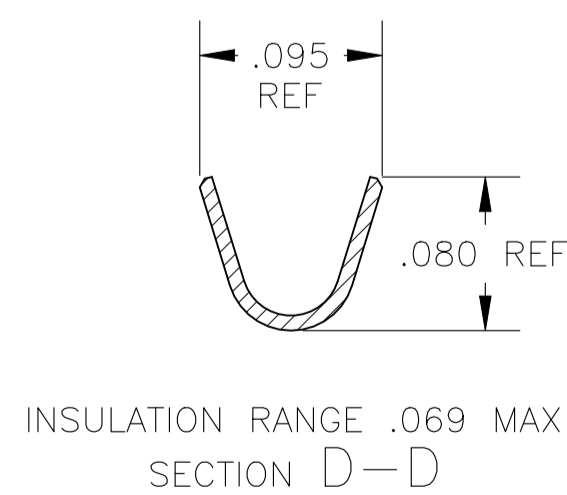
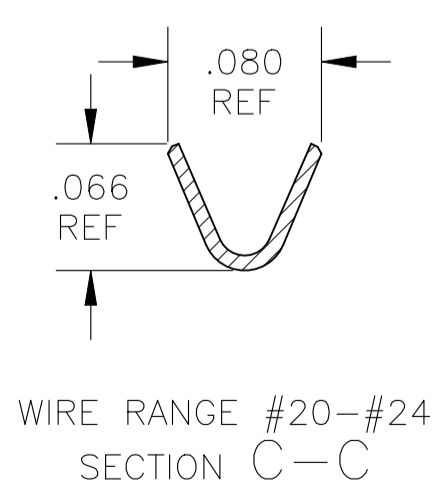
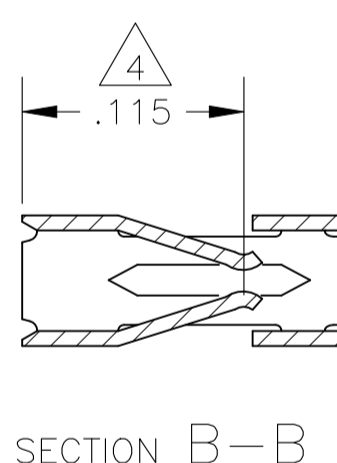
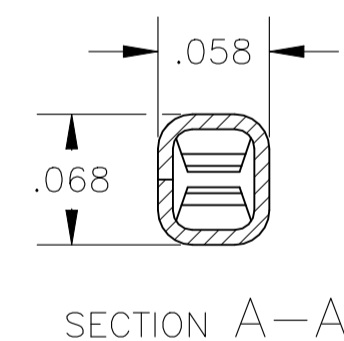
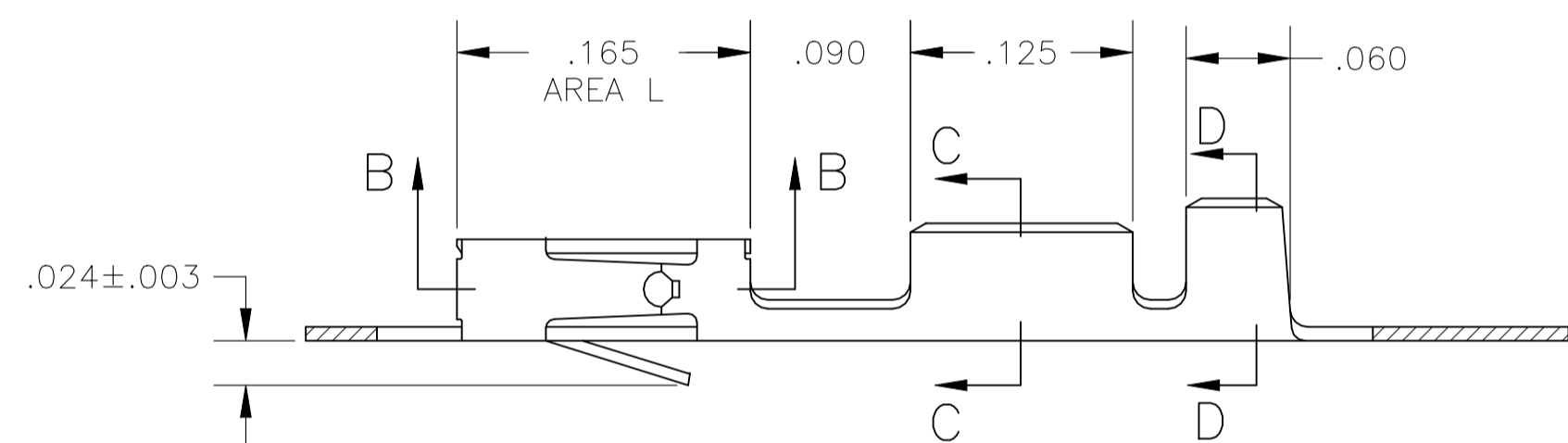
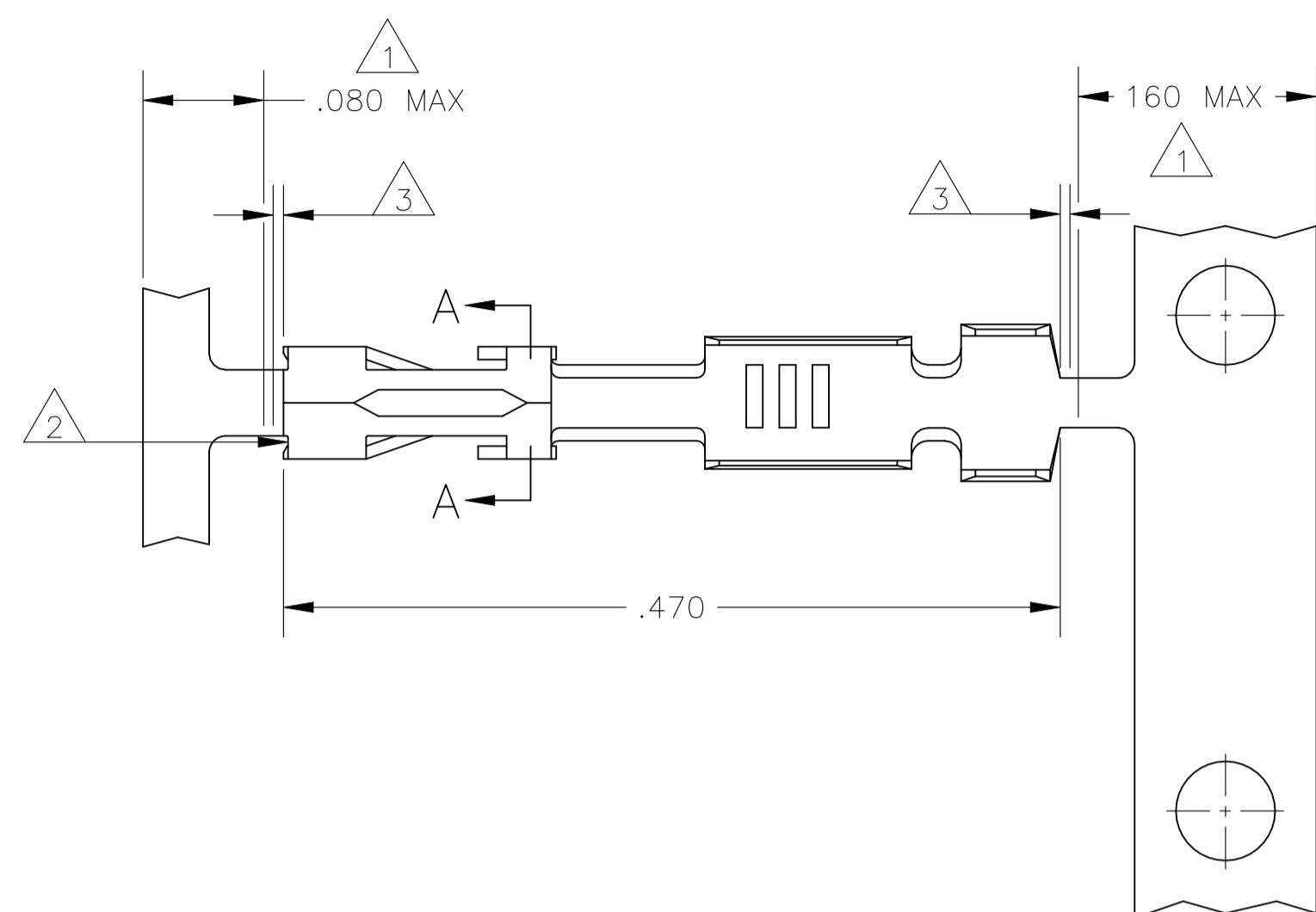


REVISIONS				
P	LTR	DESCRIPTION	DATE	APPRO
L1		REVISED PER ECN-22-171534	30AUG2022	RK JO

- 1 PLATING IS NOT REQUIRED IN THIS AREA.
- 2 CUT-OUTS ON BOX AT MANUFACTURER'S OPTION.
- 3 .006 MAX LOOSE PIECE CUT-OFF.
- 4 POINT OF MEASUREMENT FOR PLATING THICKNESS(INSIDE BEAMS).
- 5 .000015 GOLD IN CONTACT AREA, GOLD FLASH ON REMAINDER OF TERMINAL, ALL OVER .000050 NICKEL.
- 6 .000030 GOLD OVER .000050 NICKEL.
- 7 .000030 GOLD IN CONTACT AREA, GOLD FLASH ON REMAINDER OF TERMINAL, ALL OVER .000050 NICKEL.
- 8 PREPLATED: .000078-.000158 BRIGHT TIN.
- 9 .000030 GOLD IN CONTACT AREA, GOLD FLASH IN AREA L, ALL OVER .000050 NICKEL.
- 10 .000050 GOLD IN CONTACT AREA, GOLD FLASH ON REMAINDER OF TERMINAL, ALL OVER .000050 NICKEL.
- 11 SHEARED EDGES PERMITTED TO BE UNPLATED.
- 12 OBSOLETE PART NUMBER.
- 13 OBSOLETE PARTS: OBSOLETE CIS STREAMLINING PER D.RENAUD/D.SINISI.



OBSOLETE	12	-6	1-	12	-7	10	1=86492-8
OBSOLETE	12	-5	1-	12	-4	9	1=-3
		87046-4		12	-8	8	-9
				12	-5	7	-6
				12	-3		-4
		87046-1		12	-1	6	86492-2
		LOOSE PIECE PART NUMBER		STANDARD APPLICATOR PART NUMBER		FINISH	MINI APPLICATOR PART NUMBER

THIS DRAWING IS A CONTROLLED DOCUMENT.		DIN 20MAY85		TE Connectivity	
DIMENSIONS: INCHES		L A MAYER 07JUN85			
TOLERANCES UNLESS OTHERWISE SPECIFIED:		CHK R J DAVIS 14JUN85		NAME	
0 PLC ± -		C LINDGREN		CONTACT, MOD IV 1/2, RECEPTACLE, CRIMP SNAP-IN	
1 PLC ± -				APPLICATION SPEC	
2 PLC ± -				SIZE CAGE CODE DRAWING NO	
3 PLC ± .005				A1 00779 C=86492	
4 PLC ± -				RESTRICTED TO	
ANGLES ± -				WEIGHT	
MATERIAL CU-NI-SI		FINISH		CUSTOMER DRAWING	
				SCALE 10:1 SHEET 1 of 1 REV L1	