

# ZARB10WSP

Harmony eXLhoist, compact, Receiver, 10 relays outputs, pre-wired 1.5 m cable, 48...240 V AC



## Main

Range of Product	Harmony eXLhoist
Product or Component Type	Base station
Device short name	ZARB
Product Specific Application	Hoisting applications Material handling

## Complementary

Cable entry	Cable pre-wired
Material	ABS + PC
[Us] rated supply voltage	48...240 V AC
Provided Equipment	Internal antenna
Nominal output current	0.5 A 48 V AC IEC 60947-5-1
Number of relays	10
Relay type	Motion relay outputs 9 NO Auxiliary relay outputs 1 NO
Safety outputs	2 NC relay outputs
Maximum switching current	10 A
Maximum switching voltage	240 V AC +/- 20 %
Communication network type	Wireless Zigbee
Transmission frequency	2.4 GHz
Maximum sensing distance	328.08 ft (100 m) in free field
Fixing Mode	4 holes
Electrical durability	100000 cycles
Mechanical durability	10000000 cycles
Width	4.72 in (120 mm)
Height	4.61 in (117 mm)
Depth	2.01 in (51 mm)
Net Weight	1.94 lb(US) (0.88 kg)

## Environment

IP degree of protection	IP66
Radio agreement	FCC IC
Relative humidity	0...97 %
Ambient air temperature for operation	-4...131 °F (-20...55 °C)
Ambient Air Temperature for Storage	-40...158 °F (-40...70 °C)
Product Certifications	CE

The information provided in this documentation contains general descriptions and/or technical characteristics of the performance of the products contained herein. This documentation is not intended as a substitute for and is not to be used for determining suitability or reliability of these products for specific user applications. It is the duty of any such user or integrator to perform the appropriate and complete risk analysis, evaluation and testing of the products with respect to the relevant specific application or use thereof. Neither Schneider Electric Industries SAS nor any of its affiliates or subsidiaries shall be responsible or liable for misuse of the information contained herein.




## Ordering and shipping details

GTIN	3606481389121
Nbr. of units in pkg.	1
Package weight(Lbs)	2.23 lb(US) (1.012 kg)

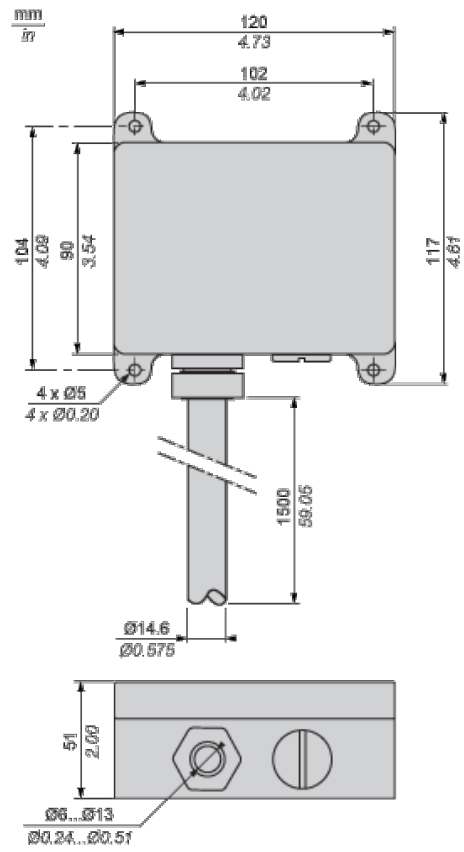
## Packing Units

Unit Type of Package 1	PCE
Package 1 Height	2.99 in (7.6 cm)
Package 1 width	8.74 in (22.2 cm)
Package 1 Length	7.40 in (18.8 cm)
Unit Type of Package 2	S03
Number of Units in Package 2	7
Package 2 Weight	16.76 lb(US) (7.601 kg)
Package 2 Height	11.81 in (30 cm)
Package 2 width	11.81 in (30 cm)
Package 2 Length	15.75 in (40 cm)
Package 3 Height	30.31 in (77 cm)

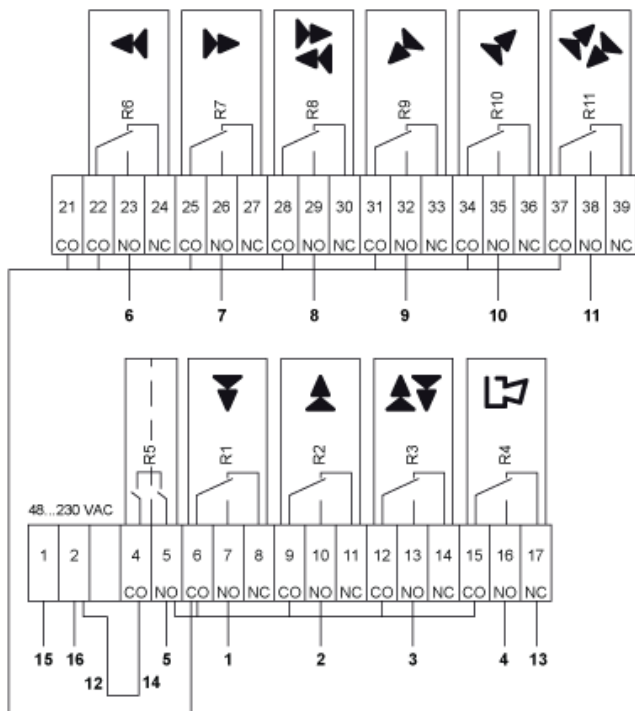
## Offer Sustainability

California proposition 65	WARNING: This product can expose you to chemicals including: Nickel compounds, which is known to the State of California to cause cancer, and Di-isodecyl phthalate (DIDP), which is known to the State of California to cause birth defects or other reproductive harm. For more information go to <a href="http://www.P65Warnings.ca.gov">www.P65Warnings.ca.gov</a>
EU RoHS Directive	Pro-active compliance (Product out of EU RoHS legal scope)  <a href="#">EU RoHS Declaration</a>
Mercury free	Yes
RoHS exemption information	 <a href="#">Yes</a>
China RoHS Regulation	 <a href="#">China RoHS Declaration</a>
WEEE	The product must be disposed on European Union markets following specific waste collection and never end up in rubbish bins.

Dimensions



Wiring Diagram



Signal		Pin number	Cable no.
Power supply / -		1	15
Power supply / +		2	16 & 12 <sup>(1)</sup>
Not connected		3	-
Stop relay R5	Common	4	14
Output (NO type)	5	5	
Relay R1	Common	6	-
Output (NO type)	7	1	
Output (NC type)	8	-	
Relay R2	Common	9	-
Output (NO type)	10	2	
Output (NC type)	11	-	
Relay R3	Common	12	-
Output (NO type)	13	3	
Output (NC type)	14	-	
Relay R4	Common	15	-
Output (NO type)	16	4	
Output (NC type)	17	13	
Common		21	-
Relay R6	Common	22	-
Output (NO type)	23	6	
Output (NC type)	24	-	

Signal		Pin number	Cable no.
Relay R7	Common	25	-
Output (NO type)	26	7	
Output (NC type)	27	-	
Relay R8	Common	28	-
Output (NO type)	29	8	
Output (NC type)	30	-	
Relay R9	Common	31	-
Output (NO type)	32	9	
Output (NC type)	33	-	
Relay R10	Common	34	-
Output (NO type)	35	10	
Output (NC type)	36	-	
Relay R11	Common	37	-
Output (NO type)	38	11	
Output (NC type)	39	-	

(1) : If power supply voltage EQUAL TO control voltage application: No changes needed.

If power supply voltage NOT EQUAL TO control voltage application: Remove jumper (between wires 12 and 14) , and use wire 14 to deliver control voltage application.