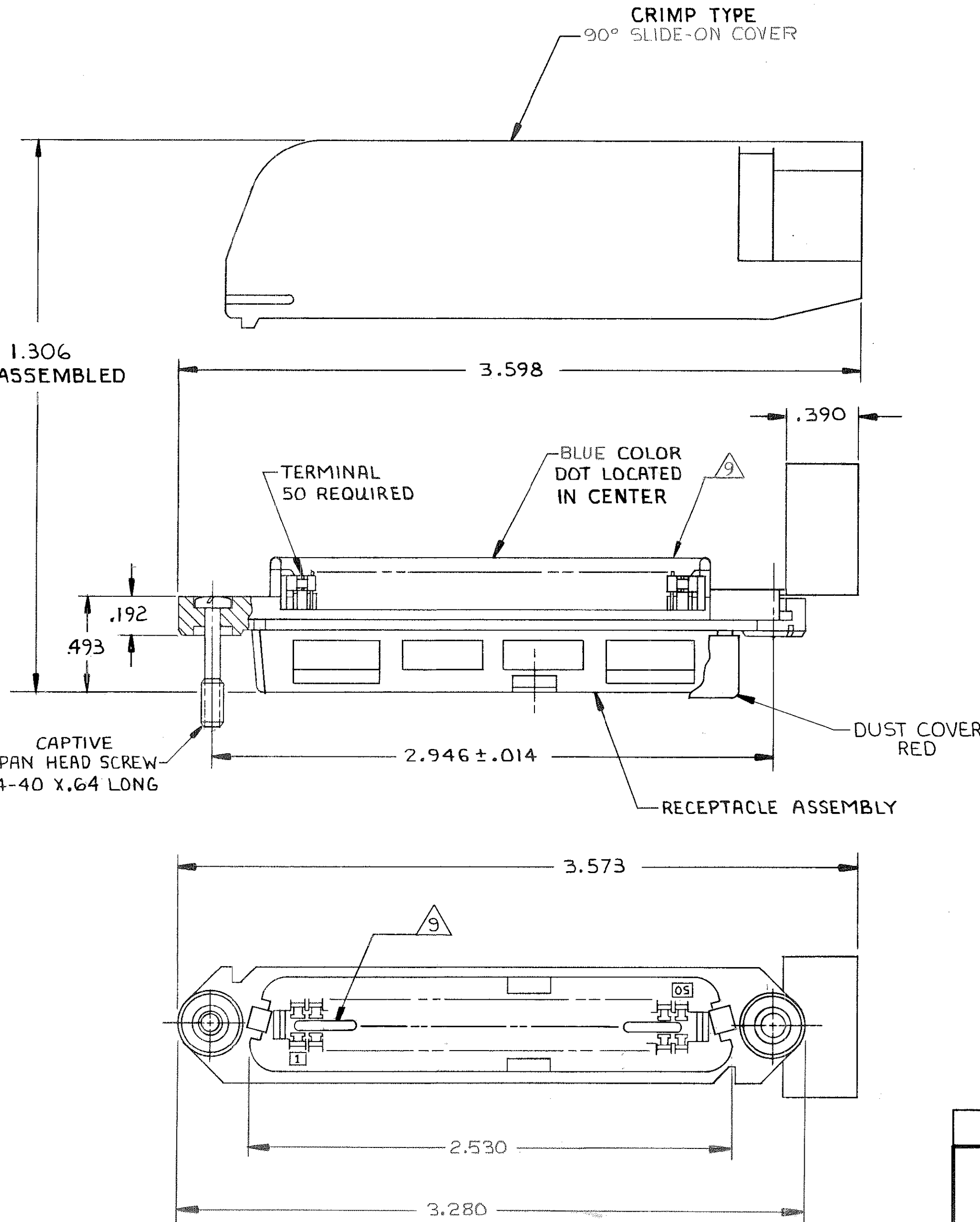


© COPYRIGHT 1980 BY AMP INCORPORATED, HARRISBURG, PA. ALL INTERNATIONAL RIGHTS RESERVED. AMP INCORPORATED PRODUCTS COVERED BY U. S. AND FOREIGN PATENTS AND/OR PATENTS PENDING.

REVISIONS						
P	F	ZONE	LTR	DESCRIPTION	DATE	APPROVED
J			J	OBsolete - 1; ECN AA-5942	11-3-89	TC
			K	REV; EC OUIE-0040-01	3-19-01	DD EB



1. THE CONTACT SURFACES OF THE TERMINALS ARE COATED WITH LUBRICANT.
 2. MATERIAL: HOUSING & SLIDE-ON COVER-POLYPHENYLENE. CABLE CLAMP & SCREW-ZINC PLATED STEEL. TERMINAL-GOLD OVER NICKEL PLATED HIGH STRENGTH COPPER ALLOY. DUST COVER-POLYETHYLENE.
 3. WIRE SIZE: 24&26 AWG SOLID OR 24 AWG 7 STRANDS OF COPPER CONDUCTORS. MAX INSULATION DIAMETER OF .045 IS ACCEPTABLE FOR MOST APPLICATIONS.
 4. CENTER-TO-CENTER SPACING OF TERMINALS IS .085 NOMINAL.
 5. CABLE CLAMP & SCREW ARE ASSEMBLED TO CONNECTOR BEFORE SHIPMENT.
 6. ALL DIMENSIONS ARE MAXIMUM UNLESS OTHERWISE SPECIFIED.
 7. COVER SHIPPED UNASSEMBLED WITH CABLE CLAMP UNCRIMPED.
 8. KIT SHIPPED BULK PACKAGED.
9. CORING MAY OR MAY NOT APPEAR AND IS AT THE DISCRETION OF AMP INCORPORATED.

YES	GRAY	553212-3
DUST COVER	COLOR	PART NO

UNLESS OTHERWISE SPECIFIED DIMENSIONS ARE IN INCHES. TOLERANCES ON: DECIMALS ± — ANGLES ± —	CONTRACT NO	AMP INCORPORATED Harrisburg, Pa.		
	DR <i>D. Bowman</i> 7-29-80	NAME RECEPTACLE KIT , 50 POSITION, B SLOT, CRIMP TYPE, SCREW & 90° COVER, CHAMP-LOK		
	CHK <i>MD Friel</i> 7-31-80	APPD <i>B.G. Ward</i> 7/31/80	APPD <i>Donnelly</i> 8-1-80	SIZE CODE IDENT NO DRAWING NO C 00779 553212
	MATERIAL	DSGN APPD	OTHER APPD <i>RE Rich</i> 8/11/80	SCALE 2:1 SHEET 1 OF 1
FINISH				

553212