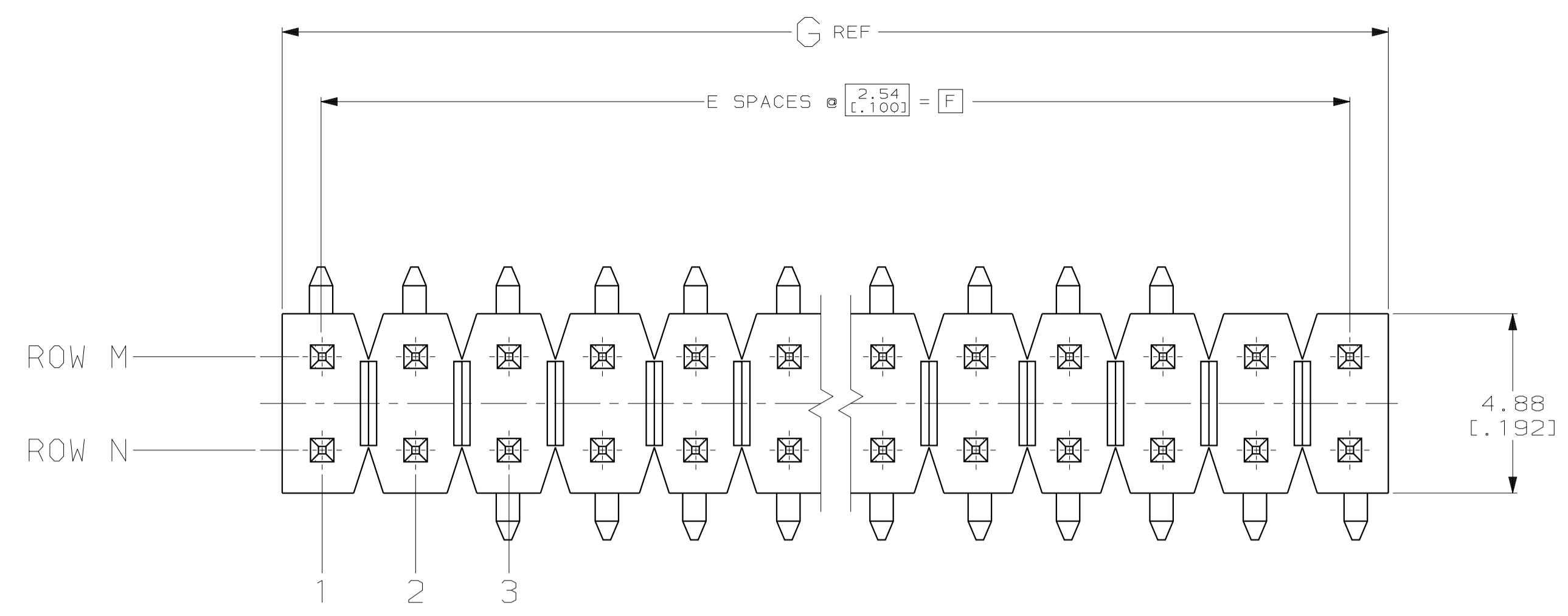
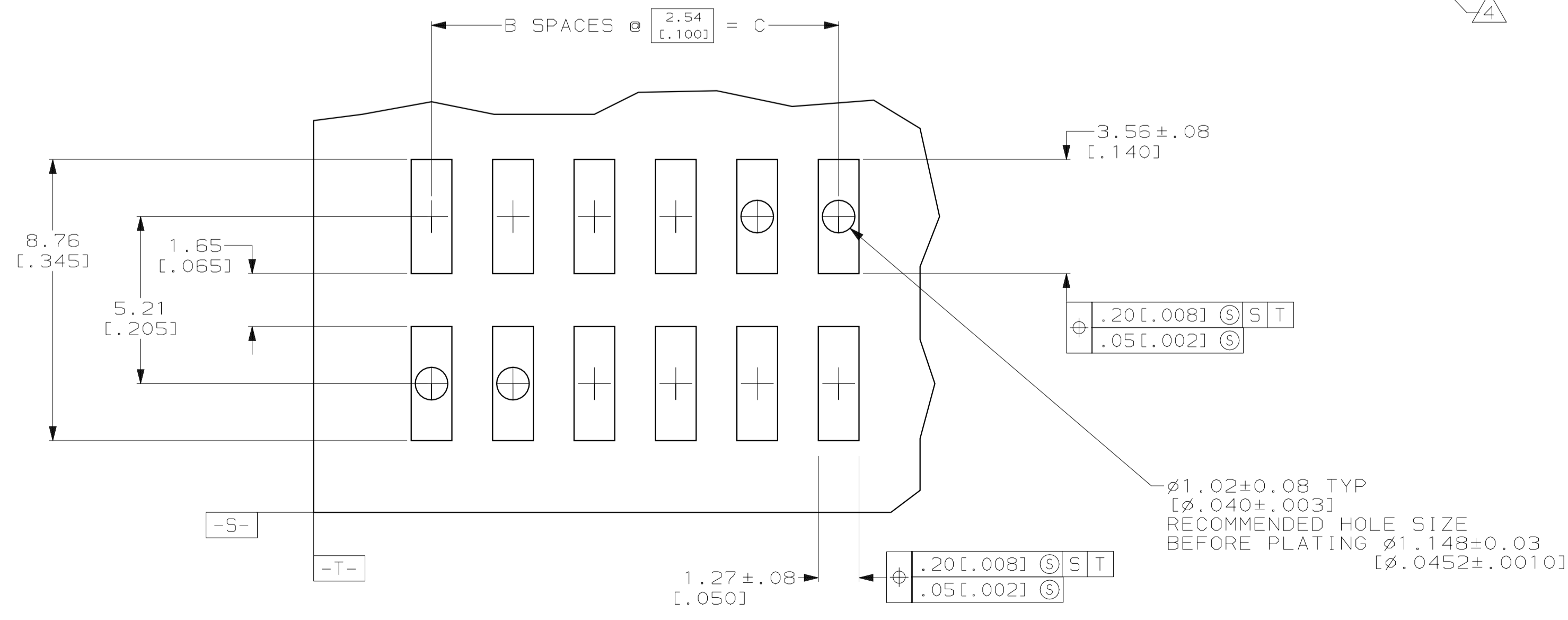
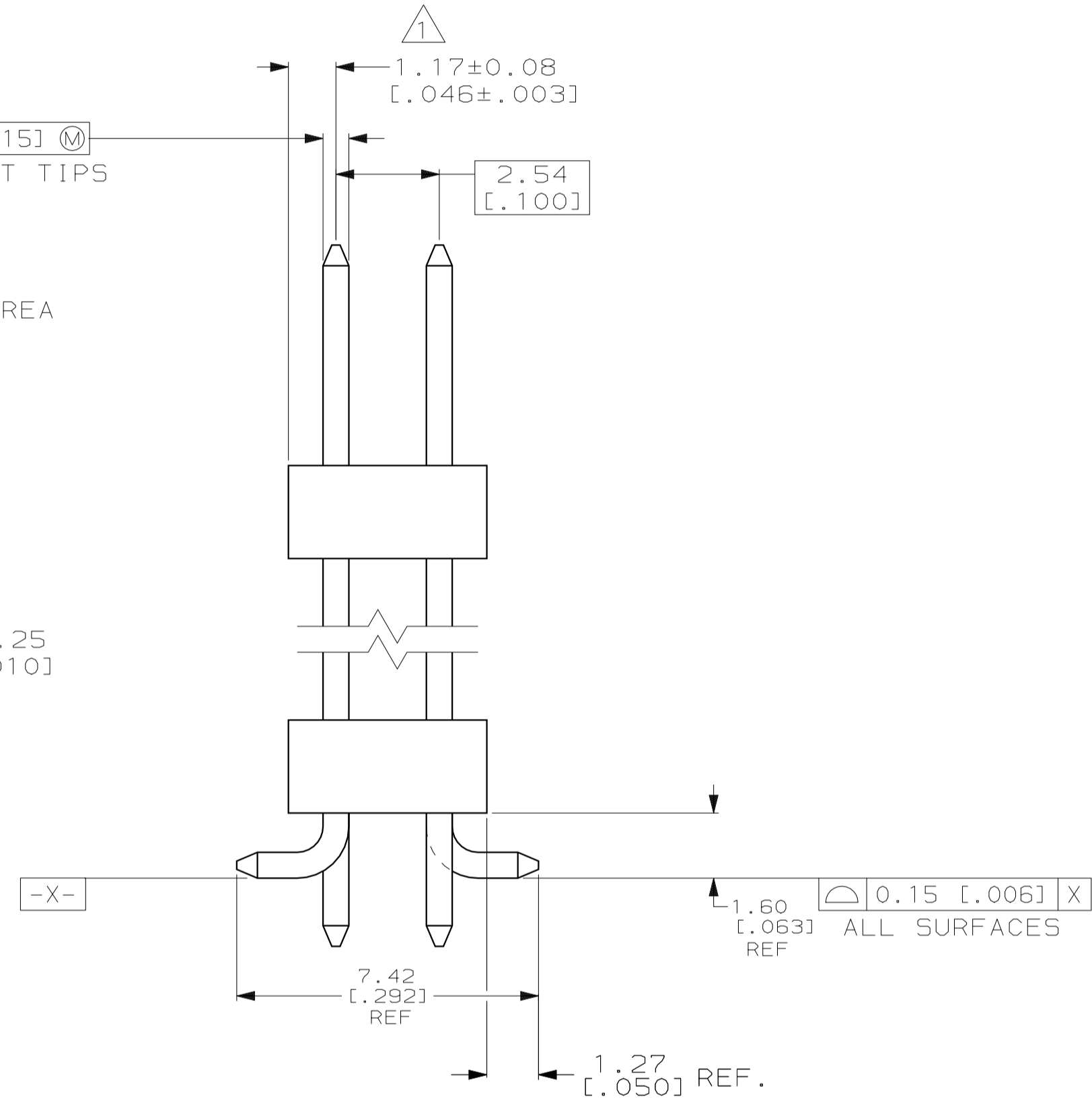
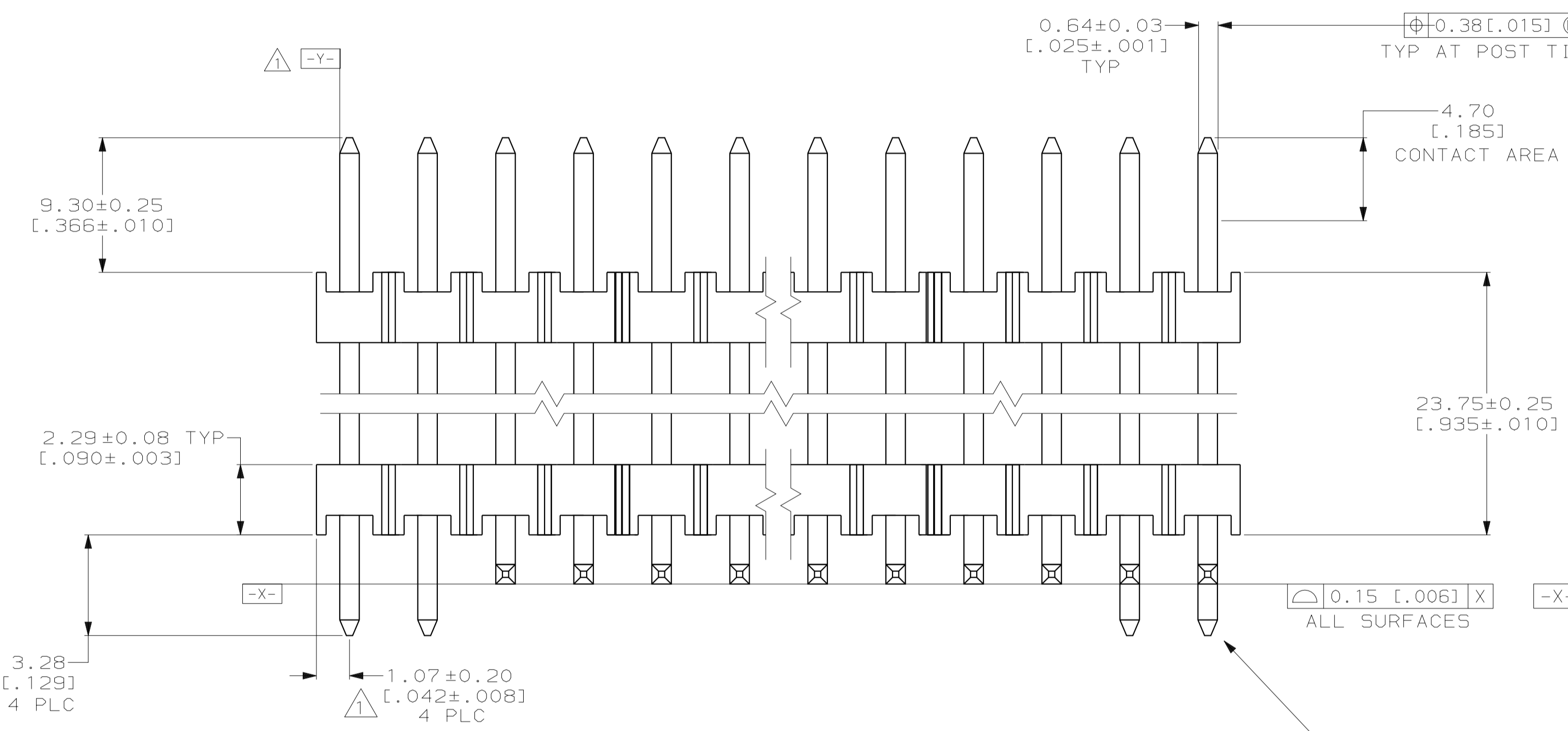


LOC		DIST		REVISIONS			
AD	39	SP	LTR	DESCRIPTION	DATE	DWN	APVD
				O DP 4633-96-52	6/27/96	TH	GD
				A REV PER 0430-0257-97	19AUG99	BH	JG
				B REV PER 0621-0071-98	25AUG99	BH	JG
				C REV PER 063C-0170-99	31JAN00	BH	JG



- 1 THE NOTED DIMENSIONS APPLY AT THE INTERSECTION OF THE POST AND HOUSING.
- 2 HOUSING: LCP, COLOR-BLACK.
- 3 PARTS PACKAGED IN TUBES.
- 4 POSTS SWAGED TO PROVIDE CONNECTOR RETENTION TO PC BOARD BEFORE SOLDERING.
- 5 0.00254-0.00508 [0.00100-.000200] MATTE TIN-LEAD OVER 0.00127 [0.00050] NICKEL ENTIRE POST.



RECOMMENDED PCB LAYOUT
FOR USE WITH .008 THICK STENCIL

24, 25	1, 2	63.09 [2.484]	69.96 [2.400]	24	50	146518-1
ROW M	ROW N	G	F	E	NO OF POSN	PART NUMBER
HOLD DOWN LOCATIONS						
DIMENSIONS:		TOLERANCES UNLESS OTHERWISE SPECIFIED:		DWN		AMP Incorporated
mm		mm		E. BRANDBERG		Harrisburg, PA 17105-3608
0 PLC		+/-		CHK		AMP
1 PLC		+/-		G. DUBNICZKI		SURFACE MOUNT HEADER ASSEMBLY,
2 PLC		+/-		G. DUBNICZKI		MOD II, BREAKAWAY, VERTICAL,
3 PLC		+/-		G. DUBNICZKI		DOUBLE ROW, .100 X.100, .025 SQ POST
4 PLC		+0.131, .0051		G. DUBNICZKI		SIZE
5 PLC		+/-		G. DUBNICZKI		CASE CODE
ANGLES		+/-		G. DUBNICZKI		DRAWING NO
MATERIAL		FINISH		WEIGHT		SCALE
-		S		-		8:1
CUSTOMER DRAWING		A1 00779		C=146518		SHEET
						1 of 1
						REV
						C