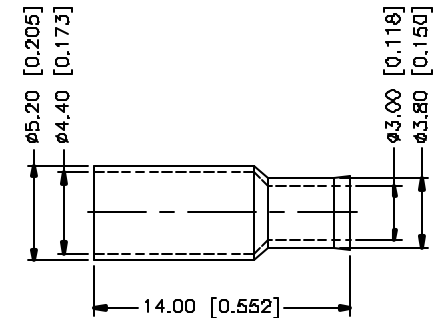
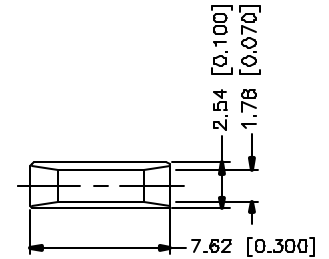
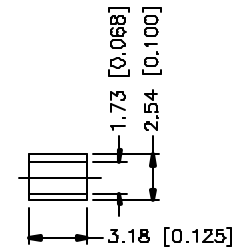
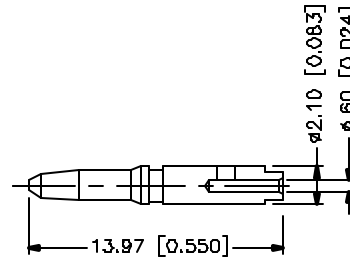
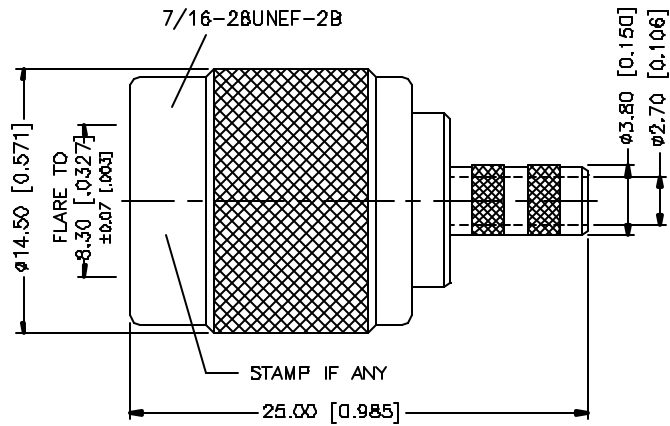
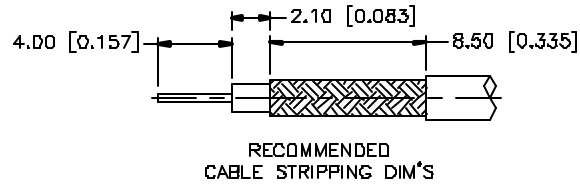


REV.	DATE	DESCRIPTION
A	02/06/00	UPDATE DIMENSIONS - ADD SLEEVE
B	11/25/03	UPDATE DIMENSIONS



CRIMP NOTES:

1. CRIMPED FERRULE
HEX SIZE .178"
2. CRIMPED CONTACT PIN
HEX CRIMP SIZE .068"
3. VSWR 1.6 MAX. UP TO 3 GHz

					UNLESS OTHERWISE SPECIFIED DIMENSIONS ARE IN MILLIMETERS. DIMENSIONS IN [] ARE IN INCHES AND FOR CUSTOMER REFERENCE ONLY.	APPROVALS	DATE	Amphenol Connex			
8						DRAWN	G.R.S.				11/25/03
7	FERRULE	BRASS	NICKEL	1	UNLESS OTHERWISE SPECIFIED TOLERANCES FOR MILLIMETERS ARE: 0.5 - 8mm ± 0.20mm 8 - 30mm ± 0.40mm 30 - 120mm ± 0.50mm	CHECKED			PART NO. 122116		
6	SPACER	BRASS	NICKEL	1	UNLESS OTHERWISE SPECIFIED TOLERANCES FOR INCHES ARE: .020 - .315 = ± 0.007" .315 - 1.180 = ± 0.015" 1.180 - 4.724 = ± 0.020"	ISSUED					
5	SLEEVE	TEFLON	NATURAL	1		BHEET	1 OF 1		CAD FILE C:/122/122116.DWG		
4	RETAINER RING	BRASS	NICKEL	1							
3	INSULATOR	TEFLON	NATURAL	1							
2	CONTACT PIN	BRASS	GOLD	1							
1	SHELL/BODY	BRASS	NICKEL	1							
	DESCRIPTION	MATERIAL	FINISH	QTY	DO NOT SCALE DRAWING						