

ADV601

FEATURES

Precise Compressed Bit Rate Control
Field Independent Compression
Flexible Video Interface Supports All Common Formats, Including CCIR-656
General Purpose 8-, 16- or 32-Bit Host Interface With 512 Deep 32-Bit FIFO

PERFORMANCE

Real-Time Compression Or Decompression of CCIR-601 And Square Pixel Video:
720 × 288 @ 50 Fields/Sec — PAL
768 × 288 @ 50 Fields/Sec — PAL
720 × 243 @ 60 Fields/Sec — NTSC
640 × 243 @ 60 Fields/Sec — NTSC
Compression Ratios from Visually Loss-Less To 350:1
Visually Loss-Less Compression At 4:1 on Natural Images (Typical)

APPLICATIONS

Nonlinear Video Editing
Video Capture Systems
Remote CCTV Surveillance
Digital Camcorders
Broadcast Quality Video Distribution Systems
Video Insertion Equipment
Image And Video Archival Systems
Digital Video Tape
High Quality Video Teleconferencing

GENERAL DESCRIPTION

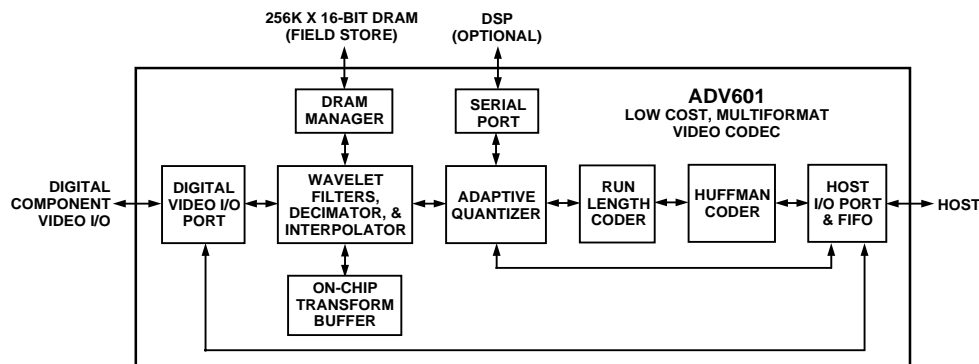
The ADV601 is a very low cost, single chip, dedicated function, all digital CMOS VLSI device capable of supporting visually loss-less to 350:1 real-time compression and decompression of CCIR-601 digital video at very high image quality levels. The chip integrates glueless video and host interfaces with on-chip SRAM to permit low part count, system level implementations suitable for a broad range of applications.

The ADV601 is a video encoder/decoder optimized for real-time compression and decompression of interlaced digital video. All features of the ADV601 are designed to yield high performance at a breakthrough systems-level cost. Additionally, the unique sub-band coding architecture of the ADV601 offers you many application-specific advantages. A review of the General Theory of Operation and Applying the ADV601 sections will help you get the most use out of the ADV601 in any given application.

The ADV601 accepts component digital video through the Video Interface and outputs a compressed bit stream through the Host Interface in Encode Mode. While in Decode Mode, the ADV601 accepts a compressed bit stream through the Host Interface and outputs component digital video through the Video Interface. The host accesses all of the ADV601's control and status registers using the Host Interface. An optional Digital Signal Processor (DSP) may be used for calculating quantization Bin Widths (BW) (instead of the host); the ADV601 sends current field statistics and receives Bin Width results as a packet I/O over the DSP serial port interface. A generic fixed-point DSP (for instance the ADSP-2105) is more than adequate for these calculations. Figure 1 summarizes the basic function of the part.

(continued on page 2)

FUNCTIONAL BLOCK DIAGRAM



REV. 0

Information furnished by Analog Devices is believed to be accurate and reliable. However, no responsibility is assumed by Analog Devices for its use, nor for any infringements of patents or other rights of third parties which may result from its use. No license is granted by implication or otherwise under any patent or patent rights of Analog Devices.

One Technology Way, P.O. Box 9106, Norwood, MA 02062-9106, U.S.A.
 Tel: 617/329-4700 World Wide Web Site: <http://www.analog.com>
 Fax: 617/326-8703 © Analog Devices, Inc., 1997

ADV601

TABLE OF CONTENTS

This data sheet gives an overview of the ADV601 functionality and provides details on designing the part into a system. The text of the data sheet is written for an audience with a general knowledge of designing digital video systems. Where appropriate, additional sources of reference material are noted throughout the data sheet.

GENERAL DESCRIPTION	1
INTERNAL ARCHITECTURE	3
GENERAL THEORY OF OPERATION	3
References	3
THE WAVELET KERNEL	4
THE PROGRAMMABLE QUANTIZER	7
THE RUN LENGTH CODER AND HUFFMAN CODER ..	8
Encoding vs. Decoding	8
PROGRAMMER'S MODEL	8
ADV601 REGISTER DESCRIPTIONS	10
PIN FUNCTION DESCRIPTIONS	16
Video Interface	21
Host Interface	25
DSP Interface	25
DRAM Manager	26
Compressed Data-Stream Definition	26
APPLYING THE ADV601	32
Using the ADV601 in Computer Applications	32
Using the ADV601 in Stand-Alone Applications	32
Connecting the ADV601 to Popular Video Decoders and Encoders	32
GETTING THE MOST OUT OF ADV601	35
ADV601 SPECIFICATIONS	36
TEST CONDITIONS	37
TIMING PARAMETERS	37
Clock Signal Timing	37
CCIR-656 Video Format Timing	38
Gray Scale/Philips Video Timing	40
Multiplexed Philips Video Timing	43
Host Interface (Indirect Address, Indirect Register Data, and Interrupt Mask/Status) Register Timing	45
Host Interface (Compressed Data) Register Timing	47
DSP Interface Timing	49

GENERAL DESCRIPTION (Continued from page 1)

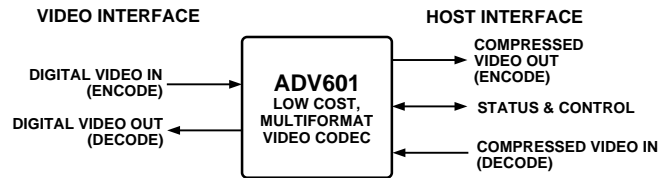


Figure 1. Functional Block Diagram

The ADV601 adheres to international standard CCIR-601 for studio quality digital video. The codec also supports a range of field sizes and rates providing high performance in computer, PAL, NTSC, or still image environments. The ADV601 is designed only for real-time interlaced video, full frames of video are formed and processed as two independent fields of data. The ADV601 supports the field rates and sizes in Table I. Note that the maximum active field size is 768 by 288. The maximum pixel rate is 14.75 MHz.

The ADV601 has a generic 8-/16-/32-bit host interface, which includes a 512 position, 32-bit wide FIFO for compressed video. With additional external hardware, the ADV601's host interface is suitable (when interfaced to other devices) for moving compressed video over PCI, ISA, SCSI, SONET, 10 Base T, ARCnet, HDSL, ADSL, and a broad range of digital interfaces. For a full description of the Host Interface, see the Host Interface section.

The compressed data rate is determined by the input data rate and the selected compression ratio. The ADV601 can achieve a near constant compressed bit rate by using the current field statistics in the off-chip bin width calculator on the external DSP or Host. The process of calculating bin widths on a DSP or Host can be "adaptive," optimizing the compressed bit rate in real time. This feature provides a near constant bit rate out of the host interface in spite of scene changes or other types of source material changes that would otherwise create bit rate burst conditions. For more information on the quantizer, see the Programmable Quantizer section.

The ADV601 typically yields visually loss-less compression on natural images at a 4:1 compression ratio. Desired image quality levels can vary widely in different applications, so it is advisable to evaluate image quality of known source material at different compression ratios to find the best compression range for the

Table I. ADV601 Field Rates and Sizes

Standard Name	Active Region Horizontal	Active Region Vertical ¹	Total Region Horizontal	Total Region Vertical	Field Rate (Hz)	Pixel Rate (MHz) ²
CCIR-601/525	720	243	858	262.5	59.94	13.50
CCIR-601/625	720	288	864	312.5	50.00	13.50
Sq. Pixel/525	640	243	780	262.5	59.94	12.27
Sq. Pixel/625	768	288	944	312.5	50.00	14.75

NOTES

¹The maximum active field size is 768 by 288.

²The maximum pixel rate is 14.75 MHz.

application. The sub-band coding architecture of the ADV601 provides a number of options to stretch compression performance. These options are outlined on in the Applying the ADV601 section.

The DSP serial port interface (SPORT) enables performance of Bin Width calculations on a DSP instead of the host. The ADV601 transfers current video field statistics to the DSP and receives Bin Width data from the DSP as packet I/O through the DSP Interface. A generic fixed-point DSP (i.e., the ADSP-2105 low cost, fixed-point DSP) is more than adequate for these calculations.

INTERNAL ARCHITECTURE

The ADV601 is composed of nine blocks. Four of these blocks are interface blocks and five are processing blocks. The interface blocks are the Digital Video I/O Port, the Host I/O Port, external DRAM manager, and the DSP serial I/O Port. The processing blocks are the Wavelet Kernel, the On-Chip Transform Buffer, the Programmable Quantizer, the Run Length Coder, and the Huffman Coder.

Digital Video I/O Port

Provides a real-time uncompressed video interface to support a broad range of component digital video formats, including "D1."

Host I/O Port and FIFO

Carries control, status, and compressed video to and from the host processor. A 512 position by 32-bit FIFO buffers the compressed video stream between the host and the Huffman Coder.

DRAM Manager

Performs all tasks related to writing, reading, and refreshing the external DRAM. The external host buffer DRAM is used for reordering and buffering quantizer input and output values.

Serial Port (to Optional DSP)

Supports, during encode only, communication of wavelet statistics between the Wavelet Kernel and the DSP and quantizer control information between the DSP and the Quantizer block. The user programmed compression ratio is also sent from the ADV601 host interface to the DSP automatically. Note that a host processor can be used to replace the DSP functionality in computer applications.

Wavelet Kernel (Filters, Decimator, and Interpolator)

Gathers statistics on a per field basis and includes a block of filters, interpolators, and decimators. The kernel calculates forward and backward bi-orthogonal, two-dimensional, separable wavelet transforms on horizontal scanned video data. This block uses the internal transform buffer when performing wavelet transforms calculated on an entire image's data and so eliminates any need for extremely fast external memories in an ADV601-based design.

On-Chip Transform Buffer

Provides an internal set of SRAM for use by the wavelet transform kernel. Its function is to provide enough delay line storage to support calculation of separable two dimensional wavelet transforms for horizontally scanned images.

Programmable Quantizer

Quantizes wavelet coefficients. Quantize controls are calculated by the external DSP or host processor during encode operations

and de-quantize controls are extracted from the compressed bit stream during decode. Each quantizer Bin Width is computed by the BW calculator software to maintain a constant compressed bit rate or constant quality bit rate. A Bin Width is a per block parameter the quantizer uses when determining the number of bits to allocate to each block (sub-band).

Run Length Coder

Performs run length coding on zero data and models nonzero data, encoding or decoding for more efficient Huffman coding. This data coding is optimized across the sub-bands and varies depending on the block being coded.

Huffman Coder

Performs Huffman coder and decoder functions on quantized run-length coded coefficient values. The Huffman coder/decoder uses three ROM-coded Huffman tables that provide excellent performance for wavelet transformed video.

GENERAL THEORY OF OPERATION

The ADV601 processor's compression algorithm is based on the bi-orthogonal (7, 9) wavelet transform, and implements field independent sub-band coding. Sub-band coders transform two-dimensional spatial video data into spatial frequency filtered sub-bands. The quantization and entropy encoding processes provide the ADV601's data compression.

The wavelet theory, on which the ADV601 is based, is a new mathematical apparatus first explicitly introduced by Morlet and Grossman in their works on geophysics during the mid 80s. This theory became very popular in theoretical physics and applied math. The late 80s and 90s have seen a dramatic growth in wavelet applications such as signal and image processing. For more on wavelet theory by Morlet and Grossman, see *Decomposition of Hardy Functions into Square Integrable Wavelets of Constant Shape* (journal citation listed in References section).

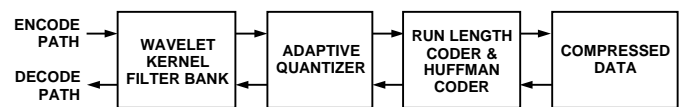


Figure 2. Encode and Decode Paths

References

For more information on the terms, techniques and underlying principles referred to in this data sheet, you may find the following reference texts useful. A reference text for general digital video principles is:

Jack, K., *Video Demystified: A Handbook for the Digital Engineer* (High Text Publications, 1993) ISBN 1-878707-09-4

Three reference texts for wavelet transform background information are:

Vetterli, M., Kovacevic, J., *Wavelets And Sub-band Coding* (Prentice Hall, 1995) ISBN 0-13-097080-8

Benedetto, J., Frazier, M., *Wavelets: Mathematics And Applications* (CRC Press, 1994) ISBN 0-8493-8271-8

Grossman, A., Morlet, J., *Decomposition of Hardy Functions into Square Integrable Wavelets of Constant Shape*, Siam. J. Math. Anal., Vol. 15, No. 4, pp 723-736, 1984

ADV601

THE WAVELET KERNEL

This block contains a set of filters and decimators that work on the image in both horizontal and vertical directions. Figure 6 illustrates the filter tree structure. The filters apply carefully chosen wavelet basis functions that better correlate to the broad-band nature of images than the sinusoidal waves used in Discrete Cosine Transform (DCT) compression schemes (JPEG, MPEG, and H261).

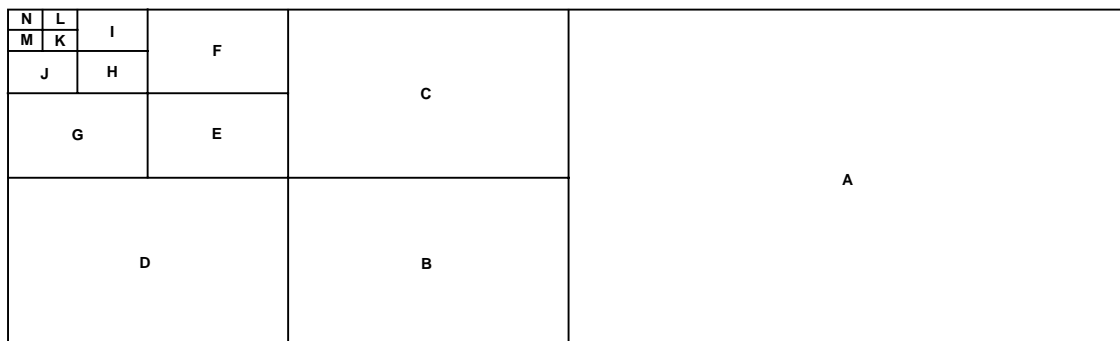
An advantage of wavelet-based compression is that the entire image can be filtered without being broken into sub-blocks as required in DCT compression schemes. This full image filtering eliminates the block artifacts seen in DCT compression and offers more graceful image degradation at high compression ratios. The availability of full image sub-band data also makes image processing, scaling, and a number of other system features possible with little or no computational overhead.

The resultant filtered image is made up of components of the original image as is shown in Figure 3 (a modified Mallat Tree). Note that Figure 3 shows how a component of video would be filtered, but in multiple component video luminance and color components are filtered separately. In Figure 4 and Figure 5 an actual image and the Mallat Tree (luminance only) equivalent is shown. It is important to note that while the image has been filtered or transformed into the frequency domain, no compression has occurred. With the image in its filtered state, it is now ready for processing in the second block, the quantizer.

Understanding the structure and function of the wavelet filters and resultant product is the key to obtaining the highest performance from the ADV601. Consider the following points:

- The data in all blocks (except N) for all components are high pass filtered. Therefore, the mean pixel value in those blocks is typically zero and a histogram of the pixel values in these blocks will contain a single “hump” (Laplacian distribution).
- The data in most blocks is more likely to contain zeros or strings of zeros than unfiltered image data.
- The human visual system is less sensitive to higher frequency blocks than low ones.
- Attenuation of the selected blocks in luminance or color components results in control over sharpness, brightness, contrast and saturation.
- High quality filtered/decimated images can be extracted/created without computational overhead.

Through leverage of these key points, the ADV601 not only compresses video, but offers a host of application features. Please see the Applying the ADV601 section for details on getting the most out of the ADV601’s sub-band coding architecture in different applications.



<p>BLOCK A IS HIGH PASS IN X AND DECIMATED BY TWO.</p> <p>BLOCK B IS HIGH PASS IN X, HIGH PASS IN Y, AND DECIMATED BY EIGHT.</p> <p>BLOCK C IS HIGH PASS IN X, LOW PASS IN Y, AND DECIMATED BY EIGHT.</p> <p>BLOCK D IS LOW PASS IN X, HIGH PASS IN Y, AND DECIMATED BY EIGHT.</p> <p>BLOCK E IS HIGH PASS IN X, HIGH PASS IN Y, AND DECIMATED BY 32.</p> <p>BLOCK F IS HIGH PASS IN X, LOW PASS IN Y, AND DECIMATED BY 32.</p> <p>BLOCK G IS LOW PASS IN X, HIGH PASS IN Y, AND DECIMATED BY 32.</p>	<p>BLOCK H IS HIGH PASS IN X, HIGH PASS IN Y, AND DECIMATED BY 128.</p> <p>BLOCK I IS HIGH PASS IN X, LOW PASS IN Y, AND DECIMATED BY 128.</p> <p>BLOCK J IS LOW PASS IN X, HIGH PASS IN Y, AND DECIMATED BY 128.</p> <p>BLOCK K IS HIGH PASS IN X, HIGH PASS IN Y, AND DECIMATED BY 512.</p> <p>BLOCK L IS HIGH PASS IN X, LOW PASS IN Y, AND DECIMATED BY 512.</p> <p>BLOCK M IS LOW PASS IN X, HIGH PASS IN Y, AND DECIMATED BY 512.</p> <p>BLOCK N IS LOW PASS IN X, LOW PASS IN Y, AND DECIMATED BY 512.</p>
--	--

Figure 3. Modified Mallat Diagram (Block Letters Correspond to Those in Filter Tree)



Figure 4. Unfiltered Original Image (Analog Devices Corporate Offices, Norwood, Massachusetts)

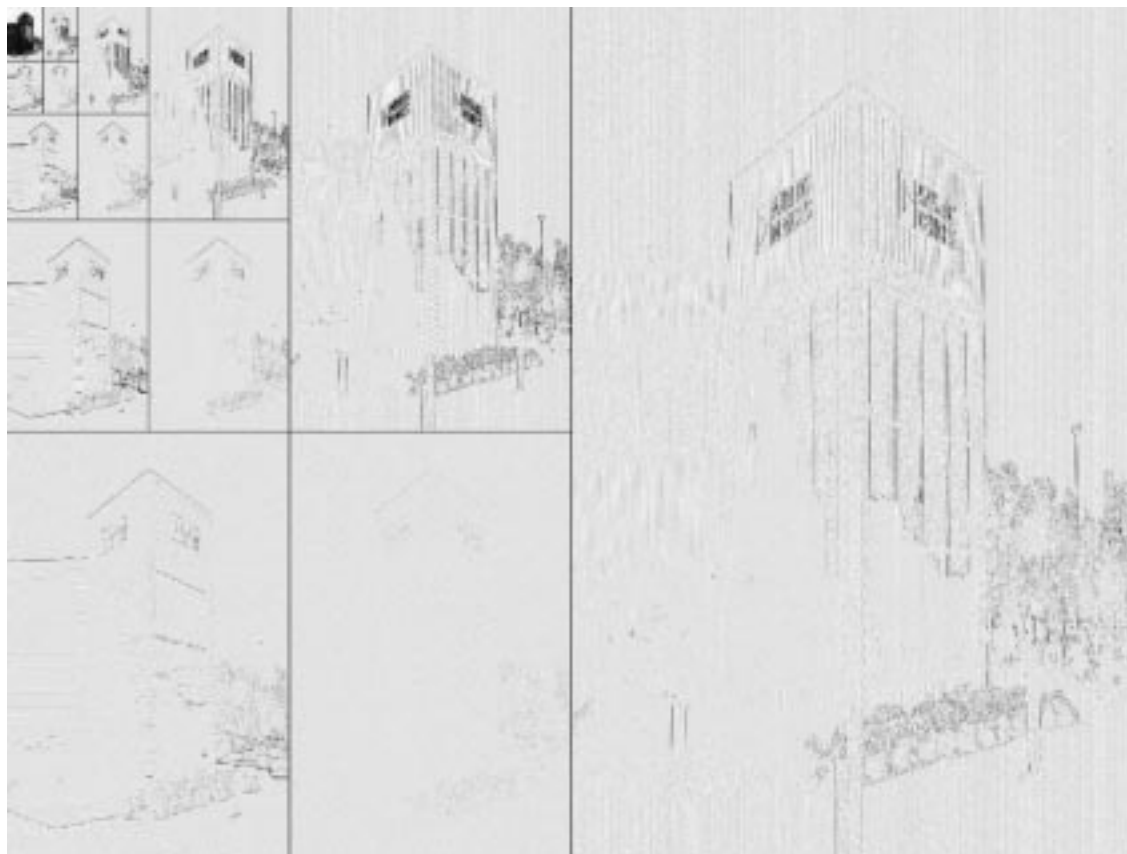


Figure 5. Modified Mallat Diagram of Image

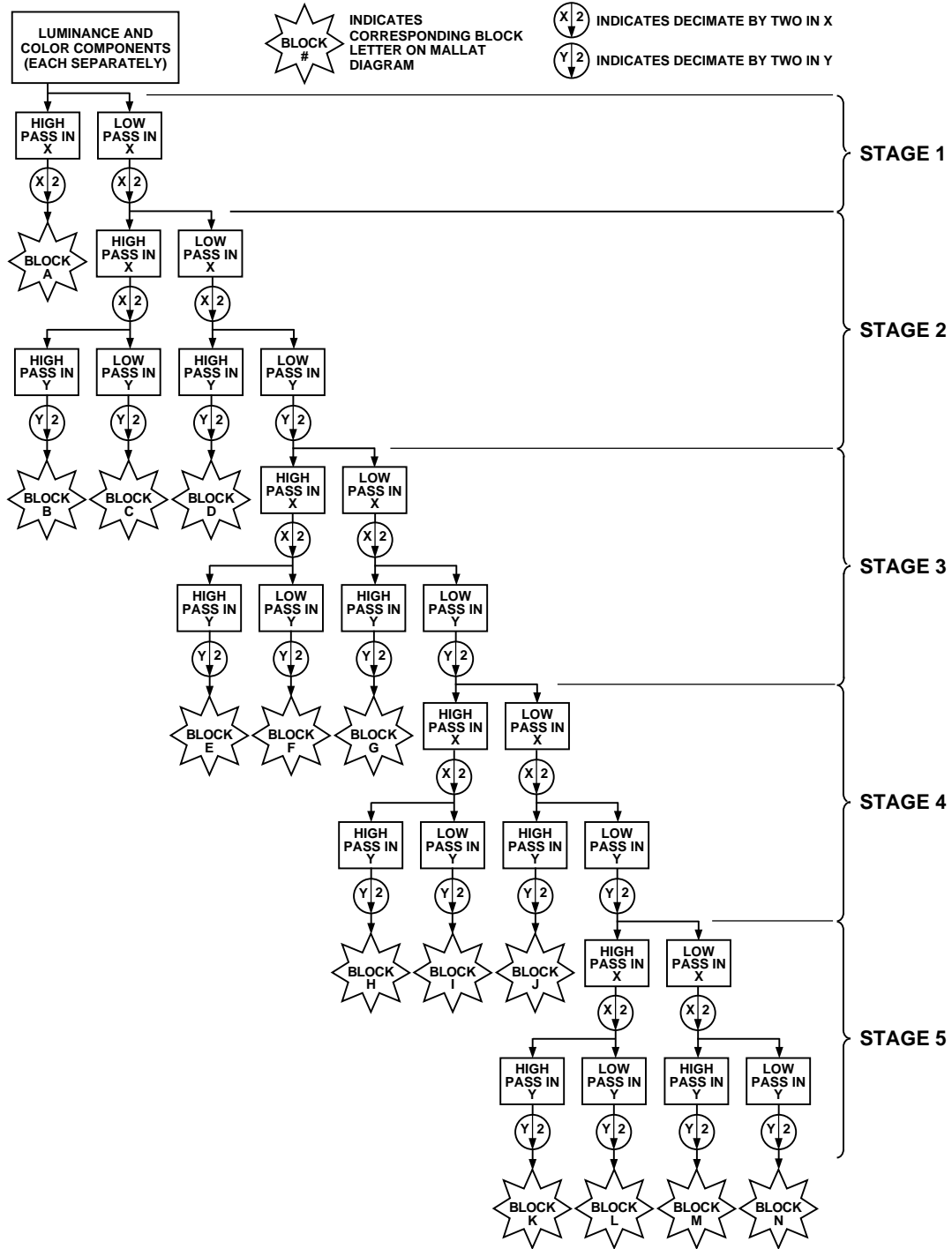


Figure 6. Wavelet Filter Tree Structure

THE PROGRAMMABLE QUANTIZER

This block quantizes the filtered image based on the response profile of the human visual system. In general, the human eye cannot resolve high frequencies in images to the same level of accuracy as lower frequencies. Through intelligent “quantization” of information contained within the filtered image, the ADV601 achieves compression without compromising the visual quality of the image. Figure 7 shows the encode and decode data formats used by the quantizer.

Figure 8 shows how a typical quantization pattern applies over Mallat block data. The high frequency blocks receive much larger quantization (appear darker) than the low frequency blocks (appear lighter). Looking at this figure, one sees some key point concerning quantization: (1) quantization relates directly to frequency in Mallat block data and (2) levels of quantization range widely from high to low frequency block. (Note that the fill is based on a log formula.) The relation between actual ADV601 bin width factors and the Mallat block fill pattern in Figure 8 appears in Table II.

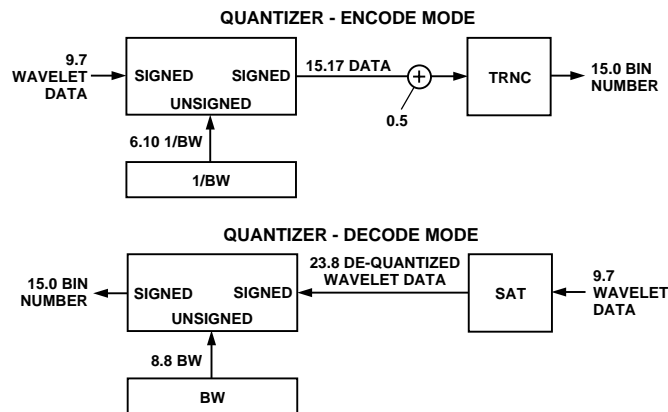


Figure 7. Programmable Quantizer Data Flow

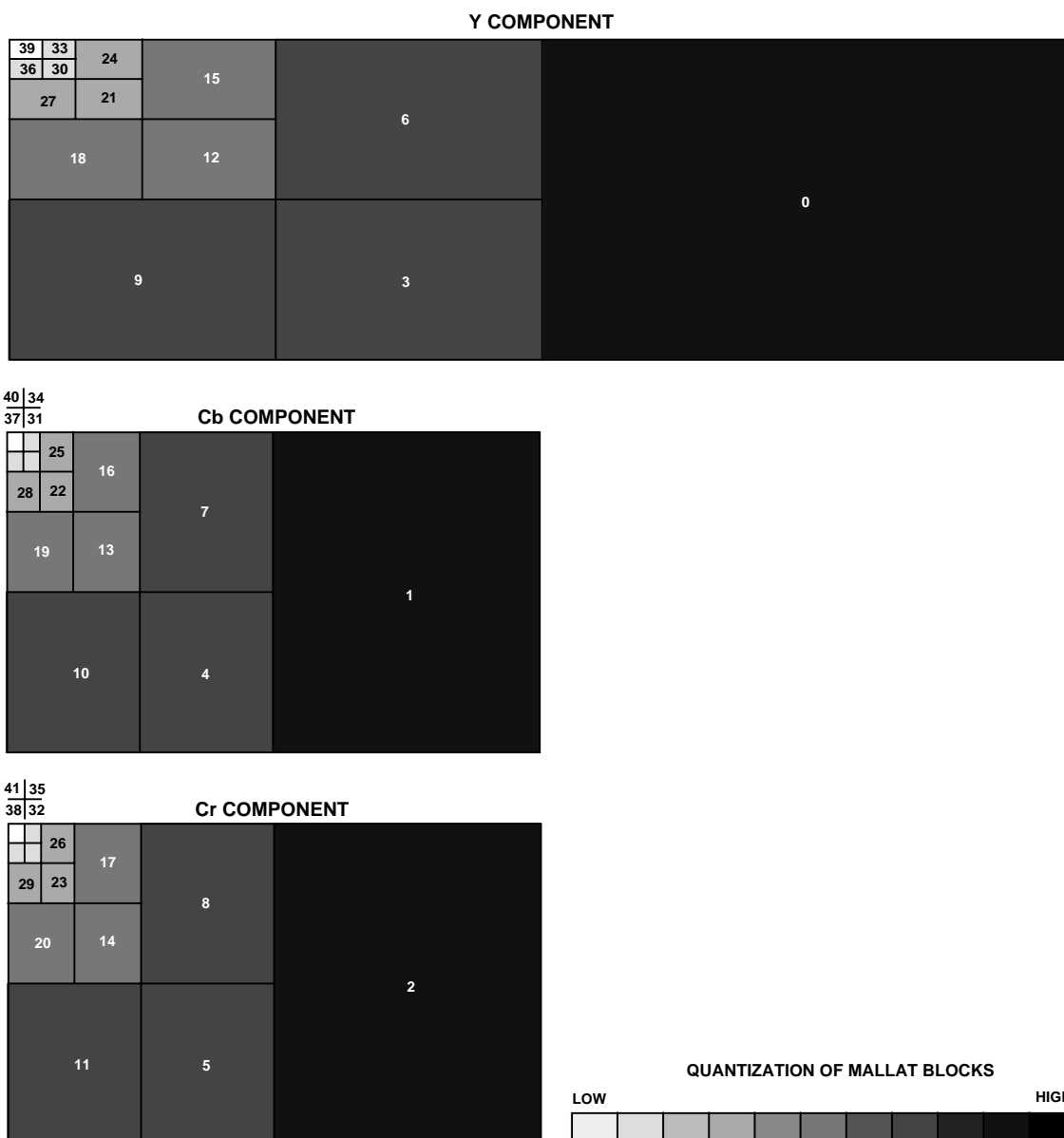


Figure 8. Typical Quantization of Mallat Data Blocks (Graphed)

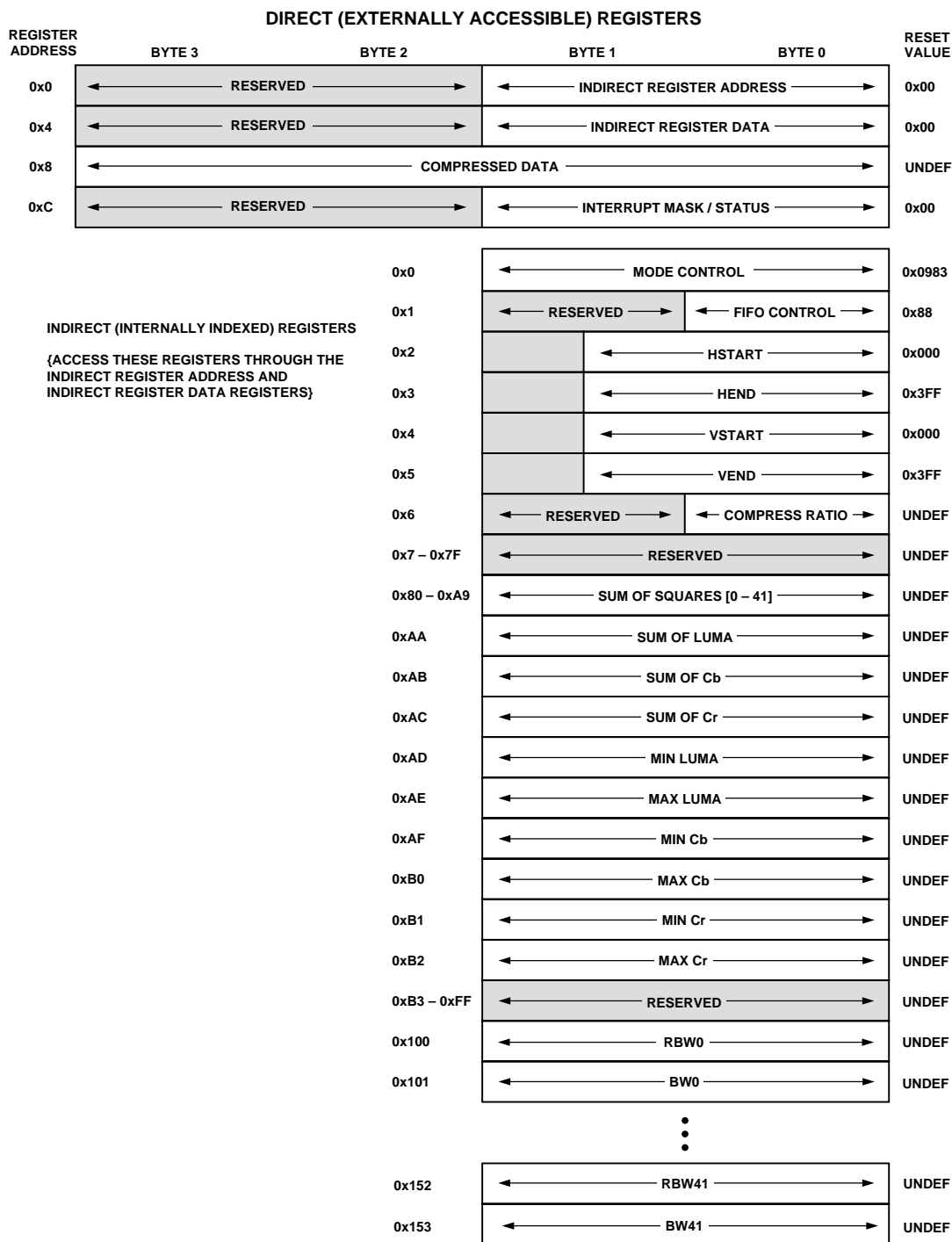


Figure 9. Map of ADV601 Direct and Indirect Registers

ADV601

ADV601 REGISTER DESCRIPTIONS

Indirect Address Register

Direct (Write) Register Byte Offset 0x00.

This register holds a 16-bit value (index) that selects the indirect register accessible to the host through the indirect data register. All indirect write registers are 16-bits wide. The address in this register is auto-incremented on each subsequent access of the indirect data register. This capability enhances I/O performance during modes of operation where the host is calculating Bin Width controls. In 8-bit mode, auto-increment occurs after writing to Byte 1 ($\overline{\text{BE1}}$ pin asserted) of the Indirect Data Register; always read or write Byte 0 then Byte 1 when in 8-bit mode.

[15:0] Indirect Address Register, **IAR[15:0]**. Holds a 16-bit value (index) that selects the indirect register to read or write through the indirect data register (undefined at reset)

[31:16] Reserved (undefined read/write zero)

Indirect Register Data

Direct (Read/Write) Register Byte Offset 0x04

This register holds a 16-bit value read or written from or to the indirect register indexed by the Indirect Address Register. In 8-bit mode, Byte 0 is read or written first followed by Byte 1. This ensures correct operation of auto-increment.

[15:0] Indirect Register Data, **IRD[15:0]**. A 16-bit value read or written to the indexed indirect register. Undefined at reset.

[31:16] Reserved (undefined read/write zero)

Compressed Data Register

Direct (Read/Write) Register Byte Offset 0x08

This register holds a 32-bit sequence from the compressed video bit stream. This register is buffered by a 512 position, 32-bit FIFO. Access bytes in the following order for correct auto-increment: Byte 0, Byte 1, Byte 2, then Byte 3. For Word (16-bit) accesses, access Word0 (Byte 0 and Byte 1) then Word1 (Byte 2 and Byte 3). For a description of the data sequence, see the Compressed Data Stream Definition section.

[31:0] Compressed Data Register, **CDR[31:0]**. 32-bit value containing compressed video stream data. At reset, contents undefined.

Interrupt Mask / Status Register

Direct (Read/Write) Register Byte Offset 0x0C

This 16-bit register contains interrupt mask and status bits that control the state of the ADV601's $\overline{\text{HIRQ}}$ pin. With the seven mask bits (IE_LCODE , IE_STATSR , IE_FIFOSTP , IE_FIFOSRQ , IE_FIFOERR , IE_CCIRER , IE_MERR); select the conditions that are ORed together to determine the output of the $\overline{\text{HIRQ}}$ pin.

Six of the status bits (LCODE , STATSR , FIFOSTP , MERR , FIFOERR , CCIRER) indicate active interrupt conditions and are sticky bits that stay set until read. Because sticky status bits are cleared when read, and these bits are set on the positive edge of the condition coming true, they cannot be read or tested for stable level true conditions multiple times.

The FIFOSRQ bit is not sticky. This bit can be polled to monitor for a FIFOSRQ true condition. Note: Enable this monitoring by using the FIFOSRQ bit and correctly programming DSL and ESL fields within the FIFO control registers.

[0] CCIR-656 Error in CCIR-656 data stream, **CCIRER**. This read only status bit indicates the following:

- 0 No CCIR-656 Error condition, *reset value*
- 1 Unrecoverable error in CCIR-656 data stream (missing sync codes)

[1] Statistics Ready, **STATSR**. This read only status bit indicates the following:

- 0 No Statistics Ready condition, *reset value* (STATS_R pin LO)
- 1 Statistics Ready for BW calculator (STATS_R pin HI)

[2] Last Code Read, **LCODE**. This read only status bit indicates the last compressed data word for field will be retrieved from the FIFO on the next read from the host bus.

- 0 No Last Code condition, *reset value* (LCODE pin LO)
- 1 Next read retrieves last word for field in FIFO (LCODE pin HI)

[3] FIFO Service Request, **FIFOSRQ**. This read only status bit indicates the following:

- 0 No FIFO Service Request condition, *reset value* (FIFO_SRQ pin LO)
- 1 FIFO is nearly full (encode) or nearly empty (decode) (FIFO_SRQ pin HI)

- [4] FIFO Error, **FIFOERR**. This condition indicates that the host has been unable to keep up with the ADV601's compressed data supply or demand requirements. If this condition occurs during encode, the data stream will not be corrupted until MERR indicates that the DRAM is also overflowed. If this condition occurs during decode, the video output will be corrupted. If the system overflows the FIFO (disregarding a FIFOSTP condition) with too many writes in decode mode, FIFOERR is asserted. This read only status bit indicates the following:
- 0 No FIFO Error condition, *reset value* (FIFO_ERR pin LO)
 - 1 FIFO overflow (encode) or underflow (decode) (FIFO_ERR pin HI)
- [5] FIFO Stop, **FIFOSTP**. This condition indicates that the FIFO is full in decode mode and empty in encode mode. In decode mode only, FIFOSTP status actually behaves more conservatively than this. In decode mode, even when FIFOSTP is indicated, there are still 32 empty Dwords available in the FIFO and 32 more Dword writes can safely be performed. This status bit indicates the following:
- 0 No FIFO Stop condition, *reset value* (FIFO_STP pin LO)
 - 1 FIFO empty (encode) or full (decode) (FIFO_STP pin HI)
- [6] Memory Error, **MERR**. This condition indicates that an error has occurred at the DRAM memory interface. This condition can be caused by a defective DRAM, the inability of the Host to keep up with the ADV601 compressed data stream, or bit errors in the data stream. Note that the ADV601 recovers from this condition without host intervention.
- 0 No memory error condition, *reset value*
 - 1 Memory error
- [7] Reserved (always read/write zero)
- [8] Interrupt Enable on CCIRER, **IE_CCIRER**. This mask bit selects the following:
- 0 Disable CCIR-656 data error interrupt, *reset value*
 - 1 Enable interrupt on error in CCIR-656 data
- [9] Interrupt Enable on STATR, **IE_STATR**. This mask bit selects the following:
- 0 Disable Statistics Ready interrupt, *reset value*
 - 1 Enable interrupt on Statistics Ready
- [10] Interrupt Enable on LCODE, **IE_LCODE**. This mask bit selects the following:
- 0 Disable Last Code Read interrupt, *reset value*
 - 1 Enable interrupt on Last Code Read from FIFO
- [11] Interrupt Enable on FIFOSRQ, **IE_FIFOSRQ**. This mask bit selects the following:
- 0 Disable FIFO Service Request interrupt, *reset value*
 - 1 Enable interrupt on FIFO Service Request
- [12] Interrupt Enable on FIFOERR, **IE_FIFOERR**. This mask bit selects the following:
- 0 Disable FIFO Stop interrupt, *reset value*
 - 1 Enable interrupt on FIFO Stop
- [13] Interrupt Enable on FIFOSTP, **IE_FIFOSTP**. This mask bit selects the following:
- 0 Disable FIFO Error interrupt, *reset value*
 - 1 Enable interrupt on FIFO Error
- [14] Interrupt Enable on MERR, **IE_MERR**. This mask bit selects the following:
- 0 Disable memory error interrupt, *reset value*
 - 1 Enable interrupt on memory error
- [15] Reserved (always read/write zero)

Mode Control Register

Indirect (Write Only) Register Index 0x00

This register holds configuration data for the ADV601's video interface format and controls several other video interface features. For more information on formats and modes, see the Video Interface section. Bits in this register have the following functions:

- [3:0] Video Interface Format, **VIF[3:0]**. These bits select the interface format. Valid settings include the following (all other values are reserved):
- 0x0 CCIR-656
 - 0x2 MLTPX (Philips)
 - 0x3 Philips, *reset value*
 - 0x8 Gray Scale
- [4] VCLK Output Divided by two, **VCLK2**. This bit controls the following:
- 0 Do not divide VCLK output (VCLKO = VCLK), *reset value*
 - 1 Divide VCLK output by two (VCLKO = VCLK/2)

ADV601

- [5] Video Interface Master/Slave Mode Select, **M/S**. This bit selects the following:
 - 0 Slave mode video interface (External control of video timing, HSYNC-VSYNC-FIELD are inputs), *reset value*
 - 1 Master mode video interface (ADV601 controls video timing, HSYNC-VSYNC are outputs)
 - [6] Video Interface 525/625 (NTSC/PAL) Mode Select, **P/N**. This bit selects the following:
 - 0 525 mode video interface, *reset value*
 - 1 625 mode video interface
 - [7] Video Interface Encode/Decode Mode Select, **E/D**. This bit selects the following:
 - 0 Decode mode video interface (compressed-to-raw)
 - 1 Encode mode video interface (raw-to-compressed), *reset value*
 - [8] Video Interface Square Pixel Mode Enable, **SPE**. This bit selects the following:
 - 0 Disable Square Pixel mode video interface
 - 1 Enable Square Pixel mode video interface, *reset value*
 - [9] Video Interface Bipolar/Unipolar Color Component Select, **BUC**. This bit selects the following:
 - 0 Bipolar color component mode video interface, *reset value*
 - 1 Unipolar color component mode video interface
 - [10] External DSP Select for bin width calculations, **DSP**. This bit selects the following:
 - 0 Host provides bin width calculation, *reset value*
 - 1 External DSP provides bin width calculation
 - [11] Video Interface Software Reset, **SWR**. This bit has the following effects on ADV601 operations:
 - 0 Normal operation
 - 1 Software Reset. This bit is set on hardware reset and must be cleared before the ADV601 can begin processing. (*reset value*)
When this bit is set during encode, the ADV601 completes processing the current field then suspends operation until the SWR bit is cleared. When this bit is set during decode, the ADV601 suspends operation immediately and does not resume operation until the SWR bit is cleared. Note that this bit must be set whenever any other bit in the Mode register is changed.
 - [12] HSYNC pin Polarity, **PHSYNC**. This bit has the following effects on ADV601 operations:
 - 0 HSYNC is HI during blanking, *reset value*
 - 1 HSYNC is LO during blanking (HI during active)
 - [13] $\overline{\text{HIRQ}}$ pin Polarity, **PHIRQ**. This bit has the following effects on ADV601 operations:
 - 0 $\overline{\text{HIRQ}}$ is active LO, *reset value*
 - 1 $\overline{\text{HIRQ}}$ is active HI
 - [15:14] Reserved (always write zero)
-

FIFO Control Register

Indirect (Read/Write) Register Index 0x01

This register holds the service-request settings for the ADV601's host interface FIFO, causing interrupts for the "nearly full" and "nearly empty" levels. Because each register is four bits in size, and the FIFO is 512 positions, the 4-bit value must be multiplied by 32 (decimal) to determine the exact value for encode service level (nearly full) and decode service level (nearly empty). The ADV601 uses these setting to determine when to generate a FIFO Service Request related host interrupt (FIFOSRQ bit and FIFO_SRQ pin).

- [3:0] Encode Service Level, **ESL[3:0]**. The value in this field determines when the FIFO is considered nearly full on encode; a condition that generates a FIFO service request condition in encode mode. Since this register is four bits (16 states), and the FIFO is 512 positions, the step size for each bit in this register is 32 positions. The following table summarizes sample states of the register and their meaning.
 - ESL Interrupt When . . .
 - 0000 Disables service requests (FIFO_SRQ never goes HI during encode)
 - 0001 FIFO has only 32 positions filled (FIFO_SRQ when \geq 32 positions are filled)
 - 1000 FIFO is 1/2 full, *reset value*
 - 1111 FIFO has only 32 positions empty (480 positions filled)
 - [7:4] Decode Service Level, **DSL[7:4]**. The value in this field determines when the FIFO is considered nearly empty in decode; a condition that generates a FIFO service request in decode mode. Because this register is four bits (16 states), and the FIFO is 512 positions, the step size for each bit in this register is 32 positions. The following table summarizes sample states of the register and their meaning.
 - DSL Interrupt When . . .
 - 0000 Disables service requests (FIFO_SRQ never goes HI)
 - 0001 FIFO has only 32 positions filled (480 positions empty)
 - 1000 FIFO is 1/2 empty, *reset value*
 - 1111 FIFO has only 32 positions empty (FIFO_SRQ when \geq 32 positions are empty)
 - [15:8] Reserved (always write zero)
-

VIDEO AREA REGISTERS

The area defined by the HSTART, HEND, VSTART and VEND registers is the active area that the wavelet kernel processes. Video data outside the active video area is set to minimum luminance and zero chrominance (black) by the ADV601. These registers allow cropping of the input video during compression (encode only), but do not change the image size. Figure 10 shows how the video area registers work together.

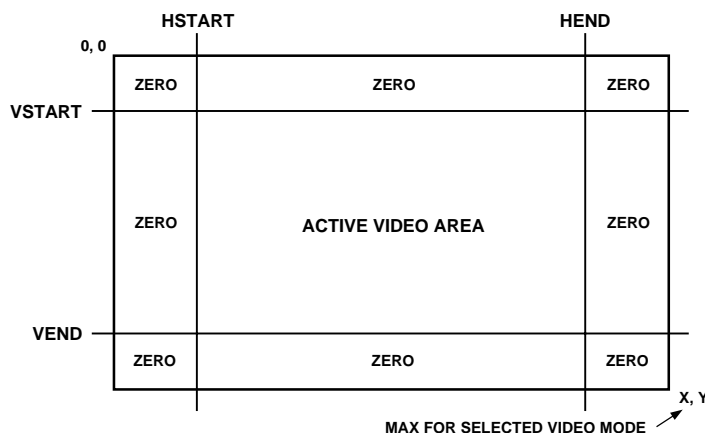


Figure 10. Video Area and Video Area Registers

HSTART Register

Indirect (Write Only) Register Index 0x02

This register holds the setting for the horizontal start of the ADV601's active video area. The value in this register is usually set to zero, but in cases where you wish to crop incoming video it is possible to do so by changing HST.

[9:0] Horizontal Start, **HST[9:0]**. 10-bit value defining the start of the active video region. (0 at reset)

[15:10] Reserved (always write zero)

HEND Register

Indirect (Write Only) Register Index 0x03

This register holds the setting for the horizontal end of the ADV601's active video area. If the value is larger than the max size of the selected video mode, the ADV601 uses the max size of the selected mode for HEND.

[9:0] Horizontal End, **HEN[9:0]**. 10-bit value defining the end of the active video region. (0x3FF at reset this value is larger than the max size of the largest video mode)

[15:10] Reserved (always write zero)

VSTART Register

Indirect (Write Only) Register Index 0x04

This register holds the setting for the vertical start of the ADV601's active video area. The value in this register is usually set to zero unless you want to crop the active video.

To vertically crop video while encoding, program the VSTART and VEND registers with actual video line numbers, which differ for each field. The VSTART and VEND contents must be updated on each field. Perform this updating as part of the field-by-field BW register update process. To perform this dynamic update correctly, the update software must keep track of which field is being processed next.

[9:0] Vertical Start, **VST[9:0]**. 10-bit value defining the starting line of the active video region, with line numbers from 1-to-625 in PAL and 1-to-525 in NTSC. (0 at reset)

[15:10] Reserved (always write zero)

VEND Register

Indirect (Write Only) Register Index 0x05

This register holds the setting for the vertical end of the ADV601's active video area. If the value is larger than the max size of the selected video mode, the ADV601 uses the max size of the selected mode for VEND.

To vertically crop video while encoding, program the VSTART and VEND registers with actual video line numbers, which differ for each field. The VSTART and VEND contents must be updated on each field. Perform this updating as part of the field-by-field BW register update process. To perform this dynamic update correctly, the update software must keep track of which field is being processed next.

[9:0] Vertical End, **VEN[9:0]**. 10-bit value defining the ending line of the active video region, with line numbers from 1-to-625 in PAL and 1-to-525 in NTSC. (0x3FF at reset—this value is larger than the max size of the largest video mode)

[15:10] Reserved (always write zero)

ADV601

Compression Ratio Register

Indirect (Write Only) Register Index 0x06

This register holds the value that is used by the DSP to control compression during encode mode. Note that this register should only be used when a DSP is calculating Bin Widths.

[7:0] Compression Ratio, **CRA[7:0]**. Value passed to the DSP during encode operation. The 8-bit value in this field is sent to the DSP through the serial interface during DSP-assisted encode operations. CRA values are zero-filled from the MSB and one each is sent to the DSP as part of the packet of data on which the ratio is applied. The DSP software uses the CRA value and other statistics to calculate BW controls for the ADV601's quantizer. Note that the relationship between CRA and the actual compression ratio is dependent on the BW control algorithm used in the DSP (undefined at reset).

[15:8] Reserved (always write zero)

Sum of Squares [0–41] Registers

Indirect (Read Only) Register Index 0x080 through 0x0A9

The Sum of Squares [0–41] registers hold values that correspond to the summation of values (squared) in corresponding Mallat blocks [0–41]. These registers let the Host or DSP read sum of squares statistics from the ADV601; using these values (with the Sum of Value, MIN Value, and MAX Value) the host or DSP can then calculate the BW and RBW values. The ADV601 indicates that the sum of squares statistics have been updated by setting (1) the STATR bit and asserting the STAT_R pin. Read the statistics at any time. The Host reads these values through the Host Interface or the DSP receives these values through the serial port.

[15:0] Sum of Squares, **STS[15:0]**. 16-bit values [0–41] for corresponding Mallat blocks [0–41] (undefined at reset). Sum of Square values are 16-bit codes that represent the Most Significant Bits of values ranging from 40 bits for small blocks to 48 bits for large blocks. The 16-bit codes have the following precision:

Blocks	Precision	Sum of Squares Precision	Description
0–2	48.–32	48.-bits wide, left shift code by 32-bits, and zero fill	
3–11	46.–30	46.-bits wide, left shift code by 30-bits, and zero fill	
12–20	44.–28	44.-bits wide, left shift code by 28-bits, and zero fill	
21–29	42.–26	42.-bits wide, left shift code by 26-bits, and zero fill	
30–41	40.–24	40.-bits wide, left shift code by 24-bits, and zero fill	

If the Sum of Squares code were 0x0025 for block 10, the actual value would be 0x000940000000; if using that same code, 0x0025, for block 30, the actual value would be 0x0025000000.

[31:0] Reserved (always read zero)

Sum of Luma Value Register

Indirect (Read Only) Register Index 0x0AA

The Sum of Luma Value register lets the host or DSP read the sum of pixel values for the Luma component in block 39. The Host reads these values through the Host Interface or the DSP receives these values through the serial port.

[15:0] Sum of Luma, **SL[15:0]**. 16-bit component pixel values (undefined at reset)

[31:0] Reserved (always read zero)

Sum of Cb Value Register

Indirect (Read Only) Register Index 0x0AB

The Sum of Cb Value register lets the host or DSP read the sum of pixel values for the Cb component in block 40. The Host reads these values through the Host Interface or the DSP receives these values through the serial port.

[15:0] Sum of Cb, **SCB[15:0]**. 16-bit component pixel values (undefined at reset)

[31:0] Reserved (always read zero)

Sum of Cr Value Register

Indirect (Read Only) Register Index 0x0AC

The Sum of Cr Value register lets the host or DSP read the sum of pixel values for the Cr component in block 41. The Host reads these values through the Host Interface or the DSP receives these values through the serial port.

[15:0] Sum of Cr, **SCR[15:0]**. 16-bit component pixel values (undefined at reset)

[31:0] Reserved (always read zero)

MIN Luma Value Register

Indirect (Read Only) Register Index 0x0AD

The MIN Luma Value register lets the host or DSP read the minimum pixel value for the Luma component in the unprocessed data. The Host reads these values through the Host Interface or the DSP receives these values through the serial port.

[15:0] Minimum Luma, **MNL[15:0]**. 16-bit component pixel value (undefined at reset)

[31:0] Reserved (always read zero)

MAX Luma Value Register

Indirect (Read Only) Register Index 0x0AE

The MAX Luma Value register lets the host or DSP read the maximum pixel value for the Luma component in the unprocessed data. The Host reads these values through the Host Interface or the DSP receives these values through the serial port.

[15:0] Maximum Luma, **MXL[15:0]**. 16-bit component pixel value (undefined at reset)

[31:0] Reserved (always read zero)

MIN Cb Value Register

Indirect (Read Only) Register Index 0x0AF

The MIN Cb Value register lets the host or DSP read the minimum pixel value for the Cb component in the unprocessed data. The Host reads these values through the Host Interface or the DSP receives these values through the serial port.

[15:0] Minimum Cb, **MNCB[15:0]**, 16-bit component pixel value (undefined at reset)

[31:0] Reserved (always read zero)

MAX Cb Value Register

Indirect (Read Only) Register Index 0x0B0

The MAX Cb Value register lets the host or DSP read the maximum pixel value for the Cb component in the unprocessed data. The Host reads these values through the Host Interface or the DSP receives these values through the serial port.

[15:0] Maximum Cb, **MXCB[15:0]**. 16-bit component pixel value (undefined at reset)

[31:0] Reserved (always read zero)

MIN Cr Value Register

Indirect (Read Only) Register Index 0x0B1

The MIN Cr Value register lets the host or DSP read the minimum pixel value for the Cr component in the unprocessed data. The Host reads these values through the Host Interface or the DSP receives these values through the serial port.

[15:0] Minimum Cr, **MNCR[15:0]**. 16-bit component pixel value (undefined at reset)

[31:0] Reserved (always read zero)

MAX Cr Value Register

Indirect (Read Only) Register Index 0x0B2

The MAX Cr Value register lets the host or DSP read the maximum pixel value for the Cr component in the unprocessed data. The Host reads these values through the Host Interface or the DSP receives these values through the serial port.

[15:0] Maximum Cr, **MXCR[15:0]**. 16-bit component pixel value (undefined at reset)

[31:0] Reserved (always read zero)

Bin Width and Reciprocal Bin Width Registers

Indirect (Read/Write) Register Index 0x0100-0x0153

The RBW and BW values are calculated by the host or DSP from data in the Sum of Squares [0-41], Sum of Value, MIN Value, and MAX Value registers; then are written to RBW and BW registers during encode mode to control the quantizer. The Host writes these values through the Host Interface or the DSP transmits these values through the serial port.

These registers contain a 16-bit interleaved table of alternating RBW/BW (RBW-even addresses and BW-odd addresses) values as indexed on writes by address register. Bin Widths are 8.8, unsigned, 16-bit, fixed-point values. Reciprocal Bin Widths are 6.10, unsigned, 16-bit, fixed-point values. Operation of this register is controlled by the host driver or the DSP (84 total entries) (undefined at reset).

[15:0] Bin Width Values, **BW[15:0]**[15:0] Reciprocal Bin Width Values, **RBW[15:0]**

ADV601

PIN FUNCTION DESCRIPTIONS

Clock Pins

Name	Pins	I/O	Description
VCLK/XTAL	2	I	A single clock (VCLK) or crystal input (across VCLK and XTAL). Acceptable 50% duty cycle clock signals are as follows: <ul style="list-style-type: none"> • 24.54 MHz (Square Pixel NTSC) • 27 MHz (CCIR601 NTSC/PAL) • 29.5 MHz (Square Pixel PAL) If using a clock crystal, use a parallel resonant, microprocessor grade clock crystal. If using a clock input, use a TTL level input, 50% duty cycle clock with 1 ns (or less) jitter (measured rising edge to rising edge). Slowly varying, low jitter clocks are acceptable; up to 5% frequency variation in 0.5 sec.
VCLKO	1	O	VCLK Output or VCLK Output divided by two. Select function using Mode Control register.

Video Interface Pins

Name	Pins	I/O	Description
VSYNC	1	I or O	Vertical Sync or Vertical Blank. This pin can be either an output (Master Mode) or an input (Slave Mode). The pin operates as follows: <ul style="list-style-type: none"> • Output (Master) HI during inactive lines of video and LO otherwise • Input (Slave) a HI on this input indicates inactive lines of video
HSYNC	1	I or O	Horizontal Sync or Horizontal Blank. This pin can be either an output (Master Mode) or an input (Slave Mode). The pin operates as follows: <ul style="list-style-type: none"> • Output (Master) HI during inactive portion of video line and LO otherwise • Input (Slave) a HI on this input indicates inactive portion of video line Note that the polarity of this signal is modified using the Mode Control register. For detailed timing information, see the Video Interface section.
FIELD	1	I or O	Field # or Frame Sync. This pin can be either an output (Master Mode) or an input (Slave Mode). The pin operates as follows: <ul style="list-style-type: none"> • Output (Master) HI during Field1 lines of video and LO otherwise • Input (Slave) a HI on this input indicates Field1 lines of video
ENC	1	O	Encode or Decode. This output pin indicates the coding mode of the ADV601 and operates as follows: <ul style="list-style-type: none"> • LO Decode Mode (Video Interface is output) • HI Encode Mode (Video Interface is input) Note that this pin can be used to control bus enable pins for devices connected to the ADV601 Video Interface.
VDATA[19:0]	20	I/O	4:2:2 Video Data (8-, 10-, or 12-bit digital component video data). These pins are inputs during encode mode and outputs during decode mode. When outputs (decode) these pins are compatible with 50 pF loads (rather than 30 pF as all other busses) to meet the high performance and large number of typical loads on this bus. The performance of these pins varies with the Video Interface Mode set in the Mode Control register, see the Video Interface section of this data sheet for pin assignments in each mode. Note that the Mode Control register also sets whether the color component is treated as either signed or unsigned.
CREF	1	I/O	Clock Reference pin for Philips Interface (VCLK qualifier)—This pin can be either an output (Master Mode) or an input (Slave Mode). The pin operates as follows: <ul style="list-style-type: none"> • Output (Master) HI to qualify VCLK during VCLK phases containing valid de-multiplexed digital video and LO otherwise • Input (Slave) a HI on this input qualifies VCLK during VCLK phases containing valid de-multiplexed digital video.

DRAM Interface Pins

Name	Pins	I/O	Description
DDAT[15:0]	16	I/O	DRAM Data Bus. The ADV601 uses these pins for 16-bit data read/write operations to the external 256K × 16-bit DRAM. (The operation of the DRAM interface is fully automatic and controlled by internal functionality of the ADV601.) These pins are compatible with 30 pF loads.
DADR[8:0]	9	O	DRAM Address Bus. The ADV601 uses these pins to form the multiplexed row/column address lines to the external DRAM. (The operation of the DRAM interface is fully automatic and controlled by internal functionality of the ADV601.) These pins are compatible with 30 pF loads.
$\overline{\text{RAS}}$	1	O	DRAM Row Address Strobe. This pin is compatible with 30 pF loads.
$\overline{\text{CAS}}$	1	O	DRAM Column Address Strobe. This pin is compatible with 30 pF loads.
$\overline{\text{WE}}$	1	O	DRAM Write Enable. This pin is compatible with 30 pF loads. Note that the ADV601 does not have a DRAM $\overline{\text{OE}}$ pin. Tie the DRAM's $\overline{\text{OE}}$ pin to ground.

Serial Port Pins and Timing

DSP Interface Pins

Name	Pins	I/O	Description								
TXD	1	O	Serial Transmit Data. Connect this pin to an optional, external DSP's serial interface RXData pin. If no DSP is present, this pin may be left unconnected. This pin is compatible with 30 pF loads. The TXD pin is for serial data output from the ADV601. Serial data consists of 16-bit words that are transferred most-significant-bit first. Note that the Mode Control register must be set to indicate whether or not the external DSP is present.								
RXD	1	I	Serial Receive Data. Connect this pin to an optional, external DSP's serial interface TXData pin. If no DSP is present, tie this pin to ground. This pin is compatible with 30 pF loads. The RXD pin is for serial data input to the ADV601. Serial data consists of 16-bit words that are transferred most-significant-bit first. Note that the Mode Control register must be set to indicate whether or not the external DSP is present.								
TCLK	1	O	Serial Data Clock (VCLK/4). Connect this pin to an optional, external DSP's serial interface SCLK pin. If no DSP is present, this pin may be left unconnected. This pin is compatible with 30 pF loads. The TCLK pin is the serial interface clock. Communication in and out of the ADV601 requires bits of data to be transmitted after a rising edge of TCLK, and sampled on a falling edge of TCLK. The DSP must be in external bit clock mode to use TCLK correctly. The codec drives the TCLK frequency at 1/4 VCLK. Some typical VCLK and TCLK frequencies are as follows: <table style="margin-left: 20px;"> <tr> <td>VCLK</td> <td>TCLK (= 1/4 VCLK)</td> </tr> <tr> <td>• 27 MHz</td> <td>6.75 MHz</td> </tr> <tr> <td>• 29.5 MHz</td> <td>7.375 MHz</td> </tr> <tr> <td>• 24.54 MHz</td> <td>6.135 MHz</td> </tr> </table> Note that the Mode Control register must be set to indicate whether or not the external DSP is present.	VCLK	TCLK (= 1/4 VCLK)	• 27 MHz	6.75 MHz	• 29.5 MHz	7.375 MHz	• 24.54 MHz	6.135 MHz
VCLK	TCLK (= 1/4 VCLK)										
• 27 MHz	6.75 MHz										
• 29.5 MHz	7.375 MHz										
• 24.54 MHz	6.135 MHz										

ADV601

DSP Interface Pins (Continued)

Name	Pins	I/O	Description
TF	1	O	<p>Serial Transmit Frame Sync. Connect this pin to an optional, external DSP's serial interface RF Sync pin. If no DSP is present, leave this pin unconnected. This pin is compatible with 30 pF loads.</p> <p>The TF pin is the transmit frame synch. When transmitting, the ADV601 marks new frames with a HI pulse driven out on TF one serial clock period before the frame begins. Whether transmitting or receiving, the synch signals may transition back from HI to LO at any time, provided the HI and LO times of TF or RF are at least one TCLK period in duration. Note that the DSP must be set for external framing on receive data. Frame size for ADV601 serial data transmission is 52 slots of 16 bits.</p> <p>Note that the Mode Control register must be set to indicate whether or not the external DSP is present.</p>
RF	1	I	<p>Receive Frame Sync. Connect this pin to an optional, external DSP's serial interface TF Sync pin. If no DSP is present, tie this pin to ground. This pin is compatible with 30 pF loads.</p> <p>The RF pin is the receive frame synch. When receiving, the ADV601 requires that the DSP marks new frames with a LO to HI transition driven in on RF one serial clock period before the frame begins. Whether transmitting or receiving, the synch signals may transition back from HI to LO at any time provided the HI and LO times of TF or RF are at least one TCLK period in duration. Note that the DSP must be set for internal framing on transmit data. When receiving, the frame size for ADV601 serial data is 84 slots of 16 bits.</p> <p>Note that the Mode Control register must be set to indicate whether or not the external DSP is present.</p>
$\overline{\text{DIRQ}}$	1	O	<p>DSP Interrupt. Connect this pin to an optional, external DSP's hardware interrupt pin (IRQ2). If no DSP is present, this pin may be left unconnected. This pin is compatible with 30 pF loads.</p> <p>The $\overline{\text{DIRQ}}$ pin on the ADV601 provides an optional method for signalling the DSP that a new packet of field statistics is being transmitted and can be used system-wide for signalling that a new video field has begun. Because the ADV601 asserts $\overline{\text{DIRQ}}$ throughout statistics transmission and bin width reception, the DSP's interrupts should be set for edge-sensitivity.</p> <p>Note that the Mode Control register must be set to indicate whether or not the external DSP is present.</p>

Host Interface Pins

Name	Pins	I/O	Description																				
DATA[31:0]	32	I/O	Host Data Bus. These pins make up a 32-bit wide host data bus. The host controls this asynchronous bus with the $\overline{\text{WR}}$, $\overline{\text{RD}}$, BE, and $\overline{\text{CS}}$ pins to communicate with the ADV601. These pins are compatible with 30 pF loads.																				
ADR[1:0]	2	I	<p>Host DWord Address Bus. These two address pins let you address the ADV601's four directly addressable host interface registers. For an illustration of how this addressing works, see the Control and Write Register Map figure and Status and Read Register Map figure. The ADR bits permit register addressing as follows:</p> <table border="1"> <thead> <tr> <th>ADR1</th> <th>ADR0</th> <th>DWord</th> <th>Address Byte Address</th> </tr> </thead> <tbody> <tr> <td>0</td> <td>0</td> <td>0</td> <td>0x00</td> </tr> <tr> <td>0</td> <td>1</td> <td>1</td> <td>0x04</td> </tr> <tr> <td>1</td> <td>0</td> <td>2</td> <td>0x08</td> </tr> <tr> <td>1</td> <td>1</td> <td>3</td> <td>0x0C</td> </tr> </tbody> </table>	ADR1	ADR0	DWord	Address Byte Address	0	0	0	0x00	0	1	1	0x04	1	0	2	0x08	1	1	3	0x0C
ADR1	ADR0	DWord	Address Byte Address																				
0	0	0	0x00																				
0	1	1	0x04																				
1	0	2	0x08																				
1	1	3	0x0C																				
$\overline{\text{BE0}}\text{--}\overline{\text{BE3}}$	4	I	Host Byte Enable pins. These four input pins allow selection of which bytes in ADV601 direct and indirect registers will be accessed through the Host Interface; $\overline{\text{BE0}}$ —least significant byte $\overline{\text{BE3}}$ —most significant byte. For a 32-bit interface only, tie these pins to ground, making all bytes available.																				

Host Interface Pins (Continued)

Name	Pins	I/O	Description
$\overline{\text{BE0}}\text{--}\overline{\text{BE3}}$ (Cont.)	4	I	Some important notes for 8- and 16-bit interfaces are as follows: <ul style="list-style-type: none"> When using these byte enable pins, the byte order is always the lowest byte to the higher bytes. The ADV601 advances to the next 32-bit compressed data FIFO location after the $\overline{\text{BE3}}$ pin is asserted then de-asserted (when accessing the Compressed Data register); so the FIFO location only advances when and if the host reads or writes the MSB of a FIFO location. The ADV601 advances to the next 16-bit indirect register after the $\overline{\text{BE1}}$ pin is asserted then de-asserted; so the register selection only advances when and if the host reads or writes the MSB of a 16-bit indirect register.
$\overline{\text{CS}}$	1	I	Host Chip Select. This pin operates as follows: <ul style="list-style-type: none"> LO Qualifies Host Interface control signals HI Three-states DATA[31:0] pins
$\overline{\text{WR}}$	1	I	Host Write. Host register writes occur on the rising edge of this signal.
$\overline{\text{RD}}$	1	I	Host Read. Host register reads occur on the low true level of this signal.
$\overline{\text{ACK}}$	1	O	Host Acknowledge. The ADV601 acknowledges completion of a Host Interface access by asserting this pin. Most Host Interface accesses (other than the compressed data register access) result in $\overline{\text{ACK}}$ being held high for at least one wait cycle, but some exceptions to that rule are as follows: <ul style="list-style-type: none"> A full FIFO during decode operations causes the ADV601 to de-assert (drive HI) the $\overline{\text{ACK}}$ pin, holding off further writes of compressed data until the FIFO has one available location. An empty FIFO during encode operations causes the ADV601 to de-assert (drive HI) the $\overline{\text{ACK}}$ pin, holding off further reads until one location is filled.
FIFO_ERR	1	O	FIFO Error. This condition indicates that the host has been unable to keep up with the ADV601's compressed data supply or demand requirements. If this condition occurs for a long time during encode, the data stream may be corrupted. If this condition occurs for a long time during decode, the video output may be corrupted. The state of this pin also appears in the Interrupt Mask/Status register. Use the interrupt mask to assert a Host interrupt ($\overline{\text{HIRQ}}$ pin) based on the state of the FIFO_ERR pin. This pin operates as follows: <ul style="list-style-type: none"> LO No FIFO Error condition (FIFOERR bit LO) HI FIFO overflow (encode) or underflow (decode) (FIFOERR bit HI)
FIFO_SRQ	1	O	FIFO Service Request. This pin is an active high signal indicating that the FIFO needs to be serviced by the host. (see FIFO Control register). The state of this pin also appears in the Interrupt Mask/Status register. Use the interrupt mask to assert a Host interrupt ($\overline{\text{HIRQ}}$ pin) based on the state of the FIFO_SRQ pin. This pin operates as follows: <ul style="list-style-type: none"> LO No FIFO Service Request condition (FIFOSRQ bit LO) HI FIFO needs service is nearly full (encode) or nearly empty (decode) During encode, FIFO_SRQ is LO when the SWR bit is cleared (0) and goes HI when the FIFO is nearly full (see FIFO Control register). During decode, FIFO_SRQ is HI when the SWR bit is cleared (0), because FIFO is empty, and goes LO when the FIFO is filled beyond the nearly empty condition (see FIFO Control register).

ADV601

Host Interface Pins (Continued)

Name	Pins	I/O	Description
FIFO_STP	1	O	FIFO Stop. This condition indicates that the host is far ahead of the ADV601's compressed data supply or demand requirements. The state of this pin also appears in the Interrupt Mask/Status register. Use the interrupt mask to assert a Host interrupt ($\overline{\text{HIRQ}}$ pin) based on the state of the FIFO_STP pin. This pin operates as follows: <ul style="list-style-type: none"> • LO No FIFO Stop condition (FIFOSTP bit LO) • HI FIFO empty (encode) or full (decode) (FIFOSTP bit HI)
STATS_R	1	O	Statistics Ready. This pin indicates the Wavelet Statistics (contents of Sum of Squares, Sum of Value, MIN Value, MAX Value registers) have been updated and are ready for the Bin Width calculator to read them from the host or DSP interface. The frequency of this interrupt will be equal to the field rate. The state of this pin also appears in the Interrupt Mask/Status register. Use the interrupt mask to assert a Host interrupt ($\overline{\text{HIRQ}}$ pin) based on the state of the STATS_R pin. This pin operates as follows: <ul style="list-style-type: none"> • LO No Statistics Ready condition (STATSR bit LO) • HI Statistics Ready for BW calculator (STATSR bit HI)
LCODE	1	O	Last Compressed Data (for field). This bit indicates the last compressed data word for field will be retrieved from the FIFO on the next read from the host bus. The frequency of this interrupt is similar to the field rate, but varies depending on compression and host response. The state of this pin also appears in the Interrupt Mask/Status register. Use the interrupt mask to assert a Host interrupt ($\overline{\text{HIRQ}}$ pin) based on the state of the LCODE pin. This pin operates as follows: <ul style="list-style-type: none"> • LO No Last Code condition (LCODE bit LO) • HI Last data word for field has been read from FIFO (LCODE bit HI)
$\overline{\text{HIRQ}}$	1	O	Host Interrupt Request. This pin indicates an interrupt request to the Host. The Interrupt Mask/Status register can select conditions for this interrupt based on any or all of the following: FIFOSTP, FIFOSRQ, FIFOERR, LCODE, STATR or CCIR656 unrecoverable error. Note that the polarity of the $\overline{\text{HIRQ}}$ pin can be modified using the Mode Control register.
$\overline{\text{RESET}}$	1	I	ADV601 Chip Reset. Asserting this pin returns all registers to reset state. Note that the ADV601 must be reset at least once after power-up with this active low signal input. For more information on reset, see the SWR bit description.

Power Supply Pins

Name	Pins	I/O	Description
GND	28	I	Ground
VDD	21	I	+5 V DC Digital Power

Video Interface

The ADV601 video interface supports a wide range of component digital video (D1) interfaces in both compression (input) and decompression (output) modes. These digital video interfaces include support for the following:

- Philips 4:2:2
- Multiplexed Philips 4:2:2
- CCIR-656/SMPTE125M - international standard
- Closed Captioning and VITC decode and encode

Video interface master and slave modes allow for the generation or receiving of synchronization and blanking signals. Definitions for the different formats can be found later in this section. For recommended connections to popular video decoders and encoders, see the Connecting The ADV601 To Popular Video Decoders and Encoders section. A complete list of supported video interfaces and sampling rates is included in Table V.

Table V. Component Digital Video Interfaces

Name	Bits/Component	Color Space	Sampling	Nominal Date Rate (MHz)	I/F Width
CCIR-656 Multiplex	8 or 10	YCrCb	4:2:2	27	8 or 10
Philips	8 or 10	YUV	4:2:2	<= 29.5	8 or 10
Philips	8 or 10	YUV	4:2:2	12.27-14.79	16 or 20
Gray Scale	8, 10, or 12	Luma	4:0:0	12.27-14.79	8, 10 or 12

Internally, the video interface translates all video formats to one consistent format to be passed to the wavelet kernel. This consistent internal video standard is 4:2:2 at 16 bits accuracy.

VITC and Closed Captioning Support

The video interface also supports the direct loss-less extraction of 90-bit VITC codes during encode and the insertion of VITC codes during decode. Closed Captioning data (found on active Video Line 21) is handled just as normal active video on an active scan line. As a result, no special dedicated support is necessary for Closed Captioning. The data rates for Closed Captioning data are low enough to ensure robust operation of this mechanism at compression ratios of 50:1 and higher. Note that you must include Video Line 21 in the ADV601's defined active video area for Closed Caption support.

27 MHz Nominal Sampling

There is one clock input (VCLK) to support all internal processing elements. This is a 50% duty cycle signal and must be synchronous to the video data. Internally this clock is doubled using a phase locked loop to provide for a 54 MHz internal processing clock. The clock interface is a two pin interface that allows a crystal oscillator to be tied across the pins or a clock oscillator to drive one pin. The nominal clock rate for the video interface is 27 MHz. Note that the ADV601 also supports pixel rates ranging from 12.27 MHz to 14.75 MHz (VCLK rates from 24.54 MHz to 29.5 MHz).

Video Interface and Modes

In all, there are seven programmable features that configure the video interface. These are:

- *Encode-Decode Control*
In addition to determining what functions the internal processing elements must perform, this control determines the direction of the video interface. In decode mode, the video interface outputs data. In encode mode, the interface receives data. The state of the control is reflected on the ENC pin. This pin can be used as an enable input by external line drivers. This control is maintained by the host processor.
- *Master-Slave Control*
This control determines whether the ADV601 generates or receives the VSYNC, HSYNC, CREF, and FIELD signals. In master mode, the ADV601 generates these signals for external hardware synchronization. In slave mode, the ADV601 receives these signals. Note that some video formats require the ADV601 to operate in slave mode only. This control is maintained by the host processor.
- *525-625 (NTSC-PAL) Control*
This control determines whether the ADV601 is operating on 525/NTSC video or 625/PAL video. This information is used when the ADV601 is in master and decode modes so that the ADV601 knows where and when to generate the HSYNC, VSYNC, and FIELD Pulses as well as when to insert the SAV and EAV time codes (for CCIR-656 only) in the data stream. This control is maintained by the host processor. Table VI shows how the 525-625 Control and Square Pixel Control in the Mode Control register work together.

Table VI. Square Pixel Control, 525-625 Control, and Video Formats

Square Pixel Control	525-625 Control	Max Horizontal Size	Max Field Size	NTSC-PAL
0	0	720	243	CCIR-601 NTSC
0	1	720	288	CCIR-601 PAL
1	0	640	243	Square Pixel NTSC
1	1	768	288	Square Pixel PAL

- *Square Pixel Control*
This control determines whether the ADV601 is operating on square pixel video. For square pixel NTSC, the 525-625 Control is set to 525 and the Square Pixel Control is asserted. For square pixel PAL, the 525-625 Control is set to 625 and the Square Pixel Control is asserted. Also note that the VCLK input differs for NTSC and PAL video.
- *Bipolar/Unipolar Color Component*
This mode determines whether offsets are used on color components. In Philips mode, this control is usually set to Bipolar, since the color components are normal twos-compliment signed values. In CCIR-656 mode, this control is set to Unipolar, since the color components are offset by 128. Note that it is likely the ADV601 will function if this control is in the wrong state, but compression performance will be degraded. It is important to set this bit correctly.

ADV601

- **Active Area Control**
Four registers HSTART (horizontal start), HEND (horizontal end), VSTART (vertical start) and VEND (vertical end) determine the active video area. The maximum active video area is 768 by 288 pixels for a single field.
- **Video Format**
This control determines the video format that is supported. In general, the goal of the various video formats is to support glueless interfaces to the wide variety of video formats peripheral components expect. This control is maintained by the host processor. Table VII shows a synopsis of the supported video formats. Definitions of each format can be found later in this section. For Video Interface pins descriptions, see the Pin Function Descriptions.

Clocks and Strobes

All video data, whether 1 or 2 “lanes” of video are used, are synchronous to the video clock (VCLK). The rising edge of VCLK is used to clock all data into the ADV601.

Synchronization and Blanking Pins

Three signals, which can be configured as inputs or outputs, are used for video frame and field horizontal synchronization and blanking. These signals are VSYNC, HSYNC, and FIELD.

VDATA Pins Functions With Differing Video Interface Formats

The functionality of the Video Interface pins depends on the current video format. Table VIII defines how Video data pins are used for the various formats.

Table VII. Component Digital Video Formats

Name	Bit/Component	Color Space	Sampling	Nominal Data Rate (MHz)	Master/Slave	I/F Width	Format Number
CCIR-656	8 or 10	YCrCb	4:2:2	27	Master	8 or 10	0x0
Multiplex Philips	8 or 10	YUV	4:2:2	<=29.5	Either	8 or 10	0x2
Philips	8 or 10	YUV	4:2:2	29.5	Either	8 or 10	0x3
Gray Scale	8, 10 or 12	Luma	4:0:0	13.5	Either	8, 10, or 12	0x8

Table VIII. VDATA[0:19] Pin Functions Under CCIR-656, Multiplex Philips, Philips, and Gray Scale Video Interfaces¹

VDATA[19:0] Pins	CCIR-656	Multiplex Philips	Philips	Gray Scale
19	N/C	N/C	Chrominance Data9	N/C
18	N/C	N/C	Chrominance Data8	N/C
17	N/C	N/C	Chrominance Data7	N/C
16	N/C	N/C	Chrominance Data6	N/C
15	N/C	N/C	Chrominance Data5	N/C
14	N/C	N/C	Chrominance Data4	N/C
13	N/C	N/C	Chrominance Data3	N/C
12	N/C	N/C	Chrominance Data2	N/C
11	N/C	N/C	<i>Chrominance Data1</i>	Data11
10	N/C	N/C	<i>Chrominance Data0</i>	Data10
9	Data9	Data9	Luminance Data9	Data9
8	Data8	Data8	Luminance Data8	Data8
7	Data7	Data7	Luminance Data7	Data7
6	Data6	Data6	Luminance Data6	Data6
5	Data5	Data5	Luminance Data5	Data5
4	Data4	Data4	Luminance Data4	Data4
3	Data3	Data3	Luminance Data3	<i>Data3</i>
2	Data2	Data2	Luminance Data2	<i>Data2</i>
1	<i>Data1</i>	<i>Data1</i>	<i>Luminance Data1</i>	<i>Data1</i>
0	<i>Data0</i>	<i>Data0</i>	<i>Luminance Data0</i>	<i>Data0</i>

NOTE

¹Italic font for an entry in this table indicates that the use of the pin is optional (i.e., bits per component greater than 8). Note that unused optional pins should be tied through a resistor to ground. Also, N/C for an entry in this table indicates that the pin is never used for a particular video format. This nomenclature is consistent with the Video Format Descriptions found later in this section. Note that Data0 is always the LSB for all formats.

Video Formats—CCIR-656

The ADV601 supports a glueless video interface to CCIR-656 devices when the Video Format is programmed to CCIR-656 mode. CCIR-656 requires that 4:2:2 data (8 or 10 bits per component) be multiplexed and transmitted over a single 8- or 10-bit physical interface. A 27 MHz clock is transmitted along with the data. This clock is synchronous with the data. The color space of CCIR-656 is YCrCb.

When in master mode, the CCIR-656 mode does not require any external synchronization or blanking signals to accompany digital video. Instead, CCIR-656 includes special time codes in the stream syntax that define horizontal blanking periods, vertical blanking periods, and field synchronization (horizontal and vertical synchronization information can be derived). These time codes are called End-of-Active-Video (EAV) and Start-of-Active-Video (SAV). Each line of video has one EAV and one SAV time code. EAV and SAV have three bits of embedded information to define HSYNC, VSYNC and Field information as well as error detection and correction bits.

VCLK is driven with a 27 MHz, 50% duty cycle clock which is synchronous with the video data. Video data is clocked on the rising edge of the VCLK signal. When decoding, the VCLK signal is typically transmitted along with video data in the CCIR-656 physical interface.

Electrically, CCIR-656 specifies differential ECL levels to be used for all interfaces. The ADV601, however, only supports unipolar, TTL logic thresholds. Systems designs that interface to strictly conforming CCIR-656 devices (especially when interfacing over long cable distances) must include ECL level shifters and line drivers.

The functionality of HSYNC, VSYNC and FIELD Pins is dependent on three programmable modes of the ADV601: Master-Slave Control, Encode-Decode Control and 525-625 Control. Table IX summarizes the functionality of these pins in various modes.

Table IX. CCIR-656 Master and Slave Modes HSYNC, VSYNC, and FIELD Functionality

HSYNC, VSYNC and FIELD Functionality for CCIR-656	Master Mode (HSYNC, VSYNC and FIELD Are Outputs)	Slave Mode (HSYNC, VSYNC and FIELD Are Inputs)
Encode Mode (video data is input to the chip)	Pins are driven to reflect the states of the received time codes: EAV and SAV. This functionality is independent of the state of the 525-625 mode control. An encoder is most likely to be in master mode.	Undefined—Use Master Mode
Decode Mode (video data is output from the chip)	Pins are output to the precise timing definitions for CCIR-656 interfaces. The state of the pins reflect the state of the EAV and SAV timing codes that are generated in the output video data. These definitions are different for 525 and 625 line systems. The ADV601 completely manages the generation and timing of these pins.	Undefined—Use Master Mode

Video Formats—Philips Video

Philips video format requires 4:2:2 data (8 bits per component) be transmitted over a two “lane” 16-bit physical interface. A 27 MHz clock is transmitted along with the data. This clock is synchronous with the data and is running at twice the transfer rate of the interface. The color space is YUV. VCLK is driven with a 27 MHz 50% duty cycle clock, which is synchronous with the video data. Philips video format requires external synchronization and blanking signals to accompany digital video. These

signals are VSYNC, HSYNC, CREF and FIELD. In general, when the ADV601 is configured as an encoder, these signals will all be inputs. When the ADV601 is configured as a decoder, these signals will be outputs. There are special cases for this described in Table X.

The functionality of HSYNC, VSYNC, and FIELD pins is dependent on three programmable modes of the ADV601: Master-Slave Control, Encode-Decode Control, and 525-625 Control. Table X summarizes the functionality of these pins in various modes.

Table X. Philips Video Master and Slave Modes HSYNC, VSYNC and FIELD Functionality

HSYNC, VSYNC and FIELD Functionality for Philips Video	Master Mode (HSYNC, VSYNC, CREF and FIELD Are Outputs)	Slave Mode (HSYNC, VSYNC, CREF and FIELD Are Inputs)
Encode Mode (video data is input to the chip)	The ADV601 completely manages the generation and timing of these pins. The device driving the ADV601 video interface must use these outputs to remain in sync with the ADV601. It is expected that this combination of modes would not be used frequently.	These pins are used to control the blanking of video and sequencing of the YSC, CSC, and LC counters.
Decode Mode (video data is output from the chip)	The ADV601 completely manages the generation and timing of these pins.	These pins are used to control the blanking of video and sequencing of the YSC, CSC, and LC counters.

ADV601

Video Formats — Multiplexed Philips Video

The ADV601 supports a hybrid mode of operation that is a cross between standard dual lane Philips and single lane CCIR-656. In this mode, video data is multiplexed in the same fashion in CCIR-656, but the values 0 and 255 are not reserved as signaling values. Instead, external HSYNC and VSYNC pins are used for signaling and video synchronization. VCLK may range up to 29.5 MHz.

VCLK is driven with up to a 29.5 MHz 50% duty cycle clock synchronous with the video data. Video data is clocked on the rising edge of the VCLK signal. The functionality of HSYNC, VSYNC, and FIELD pins is dependent on three programmable modes of the ADV601: Master-Slave Control, Encode-Decode Control, and 525-625 Control. Table XI summarizes the functionality of these pins in various modes.

Table XI. Philips Multiplexed Video Master and Slave Modes HSYNC, VSYNC, and FIELD Functionality

HSYNC, VSYNC and FIELD Functionality for Multiplexed Philips	Master Mode (HSYNC, VSYNC and FIELD Are Outputs)	Slave Mode (HSYNC, VSYNC and FIELD Are Inputs)
Encode Mode (video data is input to the chip)	The ADV601 completely manages the generation and timing of these pins. The device driving the ADV601 video interface must use these outputs to remain in sync with the ADV601. It is expected that this combination of modes would not be used frequently.	These pins are used to control the blanking of video and sequencing.
Decode Mode (video data is output from the chip)	The ADV601 completely manages the generation and timing of these pins.	These pins are used to control the blanking of video and sequencing.

Video Formats — Gray Scale Video

The Gray Scale video format requires 4:0:0 data (up to 12 bits) be transmitted over a one “lane” 8- to 12-bit physical interface. A video clock (typically 27 MHz) is transmitted along with the data. This clock is synchronous with the data and runs at twice the transfer rate of the interface. The color space is Gray Scale. Because the ADV601 internal processing is not dependent on color space, Gray Scale data is processed in the same manner as data in other color spaces.

VCLK is driven with a 24.54 MHz–29.5 MHz, 50% duty cycle clock which is synchronous with the video data. Video data is clocked on the second rising edge of the VCLK signal.

These video formats require external synchronization and blanking signals to accompany digital video. These signals are VSYNC, HSYNC, and FIELD. In general, when the ADV601 is configured as an encoder, these signals will all be inputs. When the ADV601 is configured as a decoder, these signals will be outputs. There are special cases for this format described in Table XII.

Video Formats—References

For more information on video interface standards, see the following reference texts.

- For the definition of CCIR-601:
1992 – *CCIR Recommendations RBT series Broadcasting Service (Television) Rec. 601-3 Encoding Parameters of digital television for studios*, page 35, September 15, 1992.
- For the definition of CCIR-656:
1992 – *CCIR Recommendations RBT series Broadcasting Service (Television) Rec. 656-1 Interfaces for digital component video signals in 525 and 626 line television systems operating at the 4:2:2 level of Rec. 601*, page 46, September 15, 1992.

Table XII. Gray Scale Video Master and Slave Modes HSYNC, VSYNC and FIELD Functionality

HSYNC, VSYNC, and FIELD Functionality for Gray Scale Format	Master Mode (HSYNC, VSYNC, CREF and FIELD Are Outputs)	Slave Mode (HSYNC, VSYNC, CREF and FIELD Are Inputs)
Encode Mode (video data is input to the chip)	The ADV601 completely manages the generation and timing of these pins. The device driving the ADV601 video interface must use these outputs to remain in sync with the ADV601. It is expected that this combination of modes would not be used frequently.	These pins are used to control the blanking of video and sequencing.
Decode Mode (video data is output from the chip)	The ADV601 completely manages the generation and timing of these pins.	These pins are used to control the blanking of video and sequencing.

Host Interface

The ADV601 host interface is a high performance interface that passes all command and real-time compressed video data between the host and codec. A 512 position by 32-bit wide, bidirectional FIFO buffer passes compressed video data to and from the host. The host interface is capable of burst transfer rates of up to 132 million bytes per second (4×33 MHz). For host interface pins descriptions, see the Pin Function Descriptions section. For host interface timing information, see the Host Interface Timing section.

DSP Interface

The DSP Interface is used to interface with an external DSP. During encode, the DSP provides the ADV601 with Bin Width calculation support (in applications where the host processor is not providing Bin Width support). When the host provides Bin Width calculation support, the DSP is not required. During decode, the DSP is not needed. This interface is capable of glueless connection with all of Analog Devices DSP serial ports. The DSP interface passes the following information (in encode only):

- Wavelet statistics calculated by the ADV601 output to the DSP
- Compression ratio output to the DSP
- Quantizer control information (i.e., Bin Width and Reciprocal Bin Width factors) input from the DSP

Figure 11 shows how to connect and ADV601 with a DSP. Other figures that describe ADV601-to-DSP connections include Figures 15 and 16.

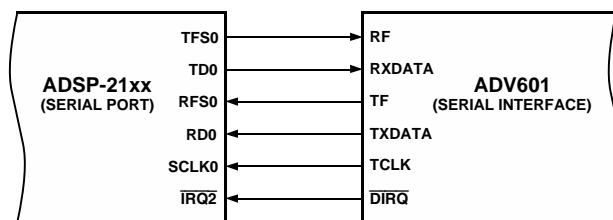


Figure 11. ADV601-to-ADSP-2105 (DSP) Serial Interface Connections

ADV601 Serial Transfer Overview

The video statistics that the ADV601 calculates and sends to the DSP for quantizer control calculations are as follows:

- Minimum pixel value per field per component
- Maximum pixel value per field per component
- Sum of pixel values per field per component
- Sum of squares of pixel values per Mallat block per component
- Compression Ratio (programmed by the host) per field

The ADV601 video codec can transmit video field statistics and receive bin width values through its serial port when connected to a DSP (an ADSP-21xx family DSP whose SPORT is set for continuous Rx/Tx normal framing mode). This DSP-compatible serial port has six pins: RXD, TXD, TCLK, TF, RF and DIRQ. For DSP Interface pins descriptions, see Pin Function Descriptions.

ADV601 Serial Transfer Process

On a field by field basis, the ADV601 transfers video statistics to the DSP and then receives bin widths from the DSP. The timing of the data flow appears in Figure 41. The steps for the data flow are as follows:

1. The ADV601 asserts $\overline{\text{DIRQ}}$ to alert the DSP that video statistics are ready for the first field.
2. The ADV601 transfers the statistics packet of fifty-two 16-bit words on the TXD pin using a pulse on TF to indicate the beginning, most-significant-bit first, of each word.

The video statistics transfer for the first field occurs during the first part of the next field. The address order of register transfer is as follows: 0x06 (Compression Ratio), 0x80-0xA9 (Sum of Squares [0-41]), 0xAA (Sum of Luma), 0xAB (Sum of Cb), 0xAC (Sum of Cr), 0xAD (Min Luma), 0xAE (Max Luma), 0xAF (Min Cb), 0xB0 (Max Cb), 0xB1 (Min Cr), and 0xB2 (Max Cr).

3. The DSP calculates bin width and reciprocal bin width values for each Mallat block, using the video statistics.
4. The DSP transfers the bin width and reciprocal bin width packet of eighty-four 16-bit words on the ADV601's RXD pin using a pulse on the ADV601's RF to indicate the beginning, most-significant-bit first, of each word.

The bin width and reciprocal bin width transfer for the first field occurs before the end of the next field. The address order of register transfer is as follows: 0x100 (Reciprocal Bin Width 0), 0x101 (Bin Width 0), . . . , 0x152 (Reciprocal Bin Width 41), 0x153 (Bin Width 41).

5. The ADV601 de-asserts $\overline{\text{DIRQ}}$ after receiving the DSP's bin width and reciprocal bin width packet and keeps $\overline{\text{DIRQ}}$ de-asserted until the video statistics packet for the next field is ready for transfer.

ADV601 Serial Transfer Implications

This serial I/O process between the ADV601 and the DSP continues for all fields of video. Some important implications that stem from this process are as follows:

- Because the ADV601 asserts $\overline{\text{DIRQ}}$ near the beginning of each video field, the signal can be useful for synchronizing system wide operations that need to key on the beginning of each video field.
- Because failures in serial I/O to the DSP are possible, the DSP software times out if the video statistics packet does not arrive within a specific time window and returns a default set of bin width values to the ADV601.
- Because failures in serial I/O from the DSP are possible, the ADV601 uses the bin width values from the previous field if the DSP does not return new bin with values within a specific time window.

ADV601

DRAM Manager

The DRAM Manager provides a sorting and reordering function on the sub-band coded data between the Wavelet Kernel and the Programmable Quantizer. The DRAM manager provides a pipeline delay stage to the ADV601. This pipeline lets the ADV601 extract current field image statistics (min/max pixel values, sum of pixel values, and sum of squares) used in the calculation of Bin Widths and re-order wavelet transform data. The use of current field statistics in the Bin Width calculation results in precise control over the compressed bit rate. The DRAM manager manages the entire operation and refresh of the DRAM.

The interface between the ADV601 DRAM manager and DRAM is designed to be transparent to the user. The ADV601 DRAM pins should be connected to the DRAM as called out in the Pin Function Descriptions section. The ADV601 requires one 256K word by 16-bit, 60 ns DRAM. The following is a selected list of manufacturers and part numbers. All parts can be used with the ADV601 at all VCLK rates except where noted. Any DRAM used with the ADV601 must meet the minimum specifications outlined for the Hyper Mode DRAMs listed in Table XIII. For DRAM Interface pins descriptions, see the Pin Function Descriptions.

Table XIII. ADV601 Compatible DRAMs

Manufacturer	Part Number	Notes
Toshiba	TC514265DJ/DZ/DFT-60	None
NEC	μ PD424210ALE-60	None
NEC	μ PD42S4210ALE-60	CBR Self Refresh feature of this product is not needed by the ADV601.
Hitachi	HM514265CJ-60	None

Compressed Data-Stream Definition

Through its Host Interface the ADV601 outputs (during encode) and receives (during decode) compressed digital video data. This stream of data passing between the ADV601 and the host is hierarchically structured and broken up into blocks of data as shown in Figure 12. Table IV shows pseudo code for a video data transfer that matches the transfer order shown in Figure 12 and uses the code names shown in Table XVI. The blocks of data listed in Figure 12 correspond to wavelet compressed sections of each field illustrated in Figure 13 as a modified Mallat diagram.

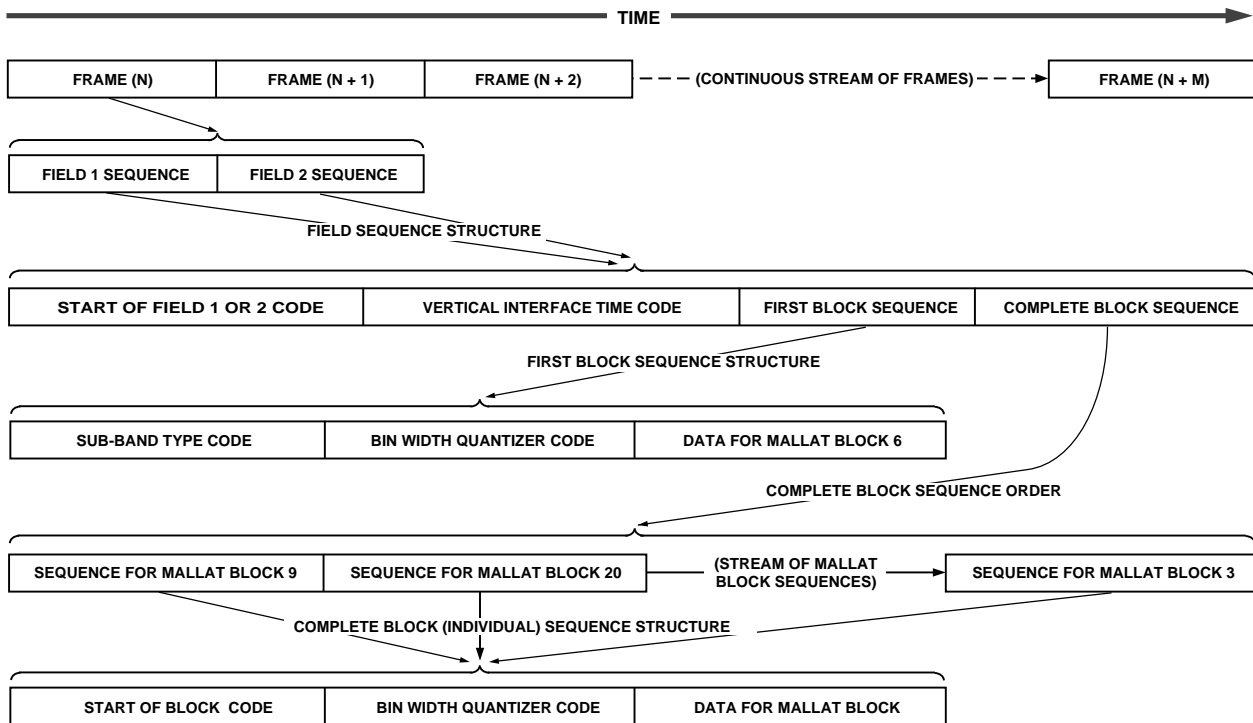


Figure 12. Hierarchical Structure of Wavelet Compressed Frame Data (Data Block Order)

Table XIV. Pseudo-Code Describing a Sequence of Video Fields

Complete Sequence:	
<Field 1 Sequence>	“Frame N; Field 1”
<Field 2 Sequence>	“Frame N; Field 2”
<Field 1 Sequence>	“Frame N+1; Field 1”
<Field 2 Sequence>	“Frame N+1; Field 2”
(Field Sequences)	
<Field 1 Sequence>	“Frame N+M; Field 1”
<Field 2 Sequence>	“Frame N+M; Field 2”
#EOS	“Required in decode to let the ADV601 know the sequence of fields is complete.”
Field 1 Sequence:	
#SOF1	
<VITC>	
<First Block Sequence>	
<Complete Block Sequence>	
Field 2 Sequence:	
#SOF2	
<VITC>	
<First Block Sequence>	
<Complete Block Sequence>	
First Block Sequence:	
<TYPE3>	
<BW>	
<Huff_Data>	
Complete Block Sequence:	
<Block Sequence>	
...	
(Block Sequences)	
...	
<Block Sequence>	
Block Sequence:	
#SOB1, #SOB2, #SOB3, #SOB4 or #SOB5	
<BW>	
<Huff_Data>	

ADV601

In general, a Frame of data is made up of odd and even Fields as shown in Figure 12. Each Field Sequence is made up of a First Block Sequence and a Complete Block Sequence. The First Block Sequence is separate from the Complete Block Sequence. The Complete Block Sequence contains the remaining 41 Block Sequences (see block numbering in Figure 13). Each Block

Sequence contains a start of block delimiter, Bin Width for the block and actual encoder data for the block. A pseudo code bit stream example for one complete field of video is shown in Table XV. A pseudo code bit stream example for one sequence of fields is shown in Table XVI. An example listing of a field of video in ADV601 bitstream format appears in Table XVIII.

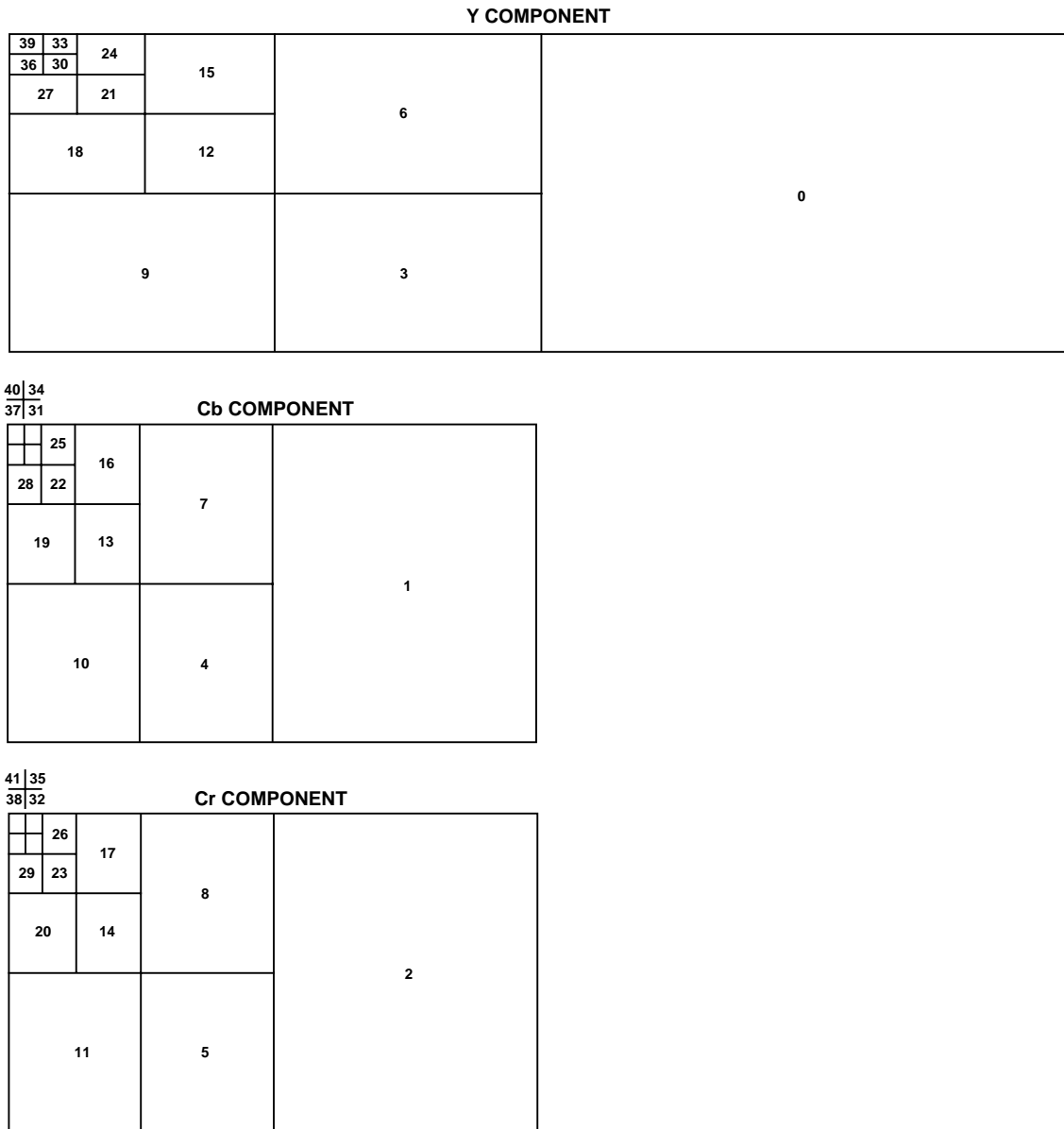


Figure 13. Block Order of Wavelet Compressed Field Data (Modified Mallat Diagram)

Table XV. Pseudo-Code of Compressed Video Data Bitstream for One Field of Video

Block Sequence Data	For Mallat Block Number . . .
#SOFn<VITC><TYPE3><BW><Huff_Data>	n indicates field 1 or 2 Huff_Data indicates Mallat block 6 data A typical Bin Width (BW) factor for this block is 0x1DDC
#SOB4<BW><Huff_Data>	Mallat block 9 data—Typical BW = 0x1DDC
#SOB3<BW><Huff_Data>	Mallat block 20 data—Typical BW = 0x0C2E
#SOB3<BW><Huff_Data>	Mallat block 22 data—Typical BW = 0x03A1
#SOB3<BW><Huff_Data>	Mallat block 19 data—Typical BW = 0x0C2E
#SOB3<BW><Huff_Data>	Mallat block 23 data—Typical BW = 0x03A1
#SOB3<BW><Huff_Data>	Mallat block 17 data—Typical BW = 0x0C2E
#SOB3<BW><Huff_Data>	Mallat block 25 data—Typical BW = 0x0306
#SOB3<BW><Huff_Data>	Mallat block 16 data—Typical BW = 0x0C2E
#SOB3<BW><Huff_Data>	Mallat block 26 data—Typical BW = 0x0306
#SOB3<BW><Huff_Data>	Mallat block 14 data—Typical BW = 0x0E9D
#SOB3<BW><Huff_Data>	Mallat block 28 data—Typical BW = 0x0306
#SOB3<BW><Huff_Data>	Mallat block 13 data—Typical BW = 0x0E9D
#SOB3<BW><Huff_Data>	Mallat block 29 data—Typical BW = 0x0306
#SOB1<BW><Huff_Data>	Mallat block 11 data—Typical BW = 0x2410
#SOB1<BW><Huff_Data>	Mallat block 31 data—Typical BW = 0x0114
#SOB3<BW><Huff_Data>	Mallat block 10 data—Typical BW = 0x2410
#SOB1<BW><Huff_Data>	Mallat block 32 data—Typical BW = 0x0114
#SOB3<BW><Huff_Data>	Mallat block 8 data—Typical BW = 0x2410
#SOB1<BW><Huff_Data>	Mallat block 34 data—Typical BW = 0x00E5
#SOB3<BW><Huff_Data>	Mallat block 7 data—Typical BW = 0x2410
#SOB1<BW><Huff_Data>	Mallat block 35 data—Typical BW = 0x00E6
#SOB3<BW><Huff_Data>	Mallat block 5 data—Typical BW = 0x2B46
#SOB1<BW><Huff_Data>	Mallat block 37 data—Typical BW = 0x00E6
#SOB3<BW><Huff_Data>	Mallat block 4 data—Typical BW = 0x2B46
#SOB1<BW><Huff_Data>	Mallat block 38 data—Typical BW = 0x00E6
#SOB3<BW><Huff_Data>	Mallat block 2 data—Typical BW = 0xC62B
#SOB1<BW><Huff_Data>	Mallat block 40 data—Typical BW = 0x009A
#SOB3<BW><Huff_Data>	Mallat block 1 data—Typical BW = 0xC62B
#SOB1<BW><Huff_Data>	Mallat block 41 data—Typical BW = 0x009A
#SOB4<BW><Huff_Data>	Mallat block 0 data—Typical BW = 0xA417
#SOB2<BW><Huff_Data>	Mallat block 39 data—Typical BW = 0x007F
#SOB4<BW><Huff_Data>	Mallat block 12 data—Typical BW = 0x0C1A
#SOB2<BW><Huff_Data>	Mallat block 36 data—Typical BW = 0x00BE
#SOB4<BW><Huff_Data>	Mallat block 15 data—Typical BW = 0x0A16
#SOB2<BW><Huff_Data>	Mallat block 33 data—Typical BW = 0x00BE
#SOB4<BW><Huff_Data>	Mallat block 18 data—Typical BW = 0x0A16
#SOB2<BW><Huff_Data>	Mallat block 30 data—Typical BW = 0x00E4
#SOB4<BW><Huff_Data>	Mallat block 21 data—Typical BW = 0x0301
#SOB2<BW><Huff_Data>	Mallat block 27 data—Typical BW = 0x0281
#SOB4<BW><Huff_Data>	Mallat block 24 data—Typical BW = 0x0281
#SOB2<BW><Huff_Data>	Mallat block 3 data—Typical BW = 0x23D5

Table XVI specifies the Mallat block transfer order and associated Start of Block (SOB) codes. Any of these SOB codes can be replaced with an SOB#5 code for a zero data block.

Table XVI. Pseudo-Code of Compressed Video Data Bitstream for One Sequence of Video Fields

Block Sequence Data	For Mallat Block Number
#SOF1<VITC><TYPE3><BW><Huff_Data> ... (41 #SOBn blocks)	/* Mallat block 6 data */
#SOF2<VITC><TYPE3><BW><Huff_Data> ... (41 #SOBn blocks) . (any number of Fields in sequence)	/* Mallat block 6 data */
#EOS	/* Required in decode to end field sequence*/

Table XVII. ADV601 Field and Block Delimiters (Codes)

Code Name	Code	Description (Align all #Delimiter Codes to 32-Bit Boundaries)
#SOF1	0xffffffff40000000	Start of Field delimiter identifies Field1 data. #SOF1 resets the Huffman decoder and is sufficient on its own to reset the processing of the chip during decode. Please note that this code or #SOF2 are the only delimiters necessary between adjacent fields. #SOF1 operates identically to #SOF2 except that during decode it can be used to differentiate between Field1 and Field2 in the generation of the Field signal (master mode) and/or SAV/EAV codes for CCIR-656 modes.
#SOF2	0xffffffff41000000	Start of Field delimiter identifies Field2 data. #SOF resets the Huffman decoder and is sufficient on its own to reset the processing of the chip during decode. Please note that this code or #SOF1 are the only delimiters necessary between adjacent fields. #SOF2 operates identically to #SOF1 except that during decode it can be used to differentiate between Field2 and Field1 in the generation of the Field signal (master mode) and/or SAV/EAV codes for CCIR-656 modes.
<VITC>	(96 bits)	This is a 12-byte string of data extracted by the video interface during encode operations and inserted by the video interface into the video data during decode operations. The data content is 90 bits in length. For a complete description of VITC format, see pages 175-178 of Video Demystified: A Handbook For The Digital Engineer (listed in References section).
<TYPE1>	0x81	This is an 8-bit delimiter-less type code for the first sub-band block of wavelet data. (Model 1 Chroma)
<TYPE2>	0x82	This is an 8-bit delimiter-less type code for the first sub-band block of wavelet data. (Model 1 Luma)
<TYPE3>	0x83	This is an 8-bit delimiter-less type code for the first sub-band block of wavelet data. (Model 2 Chroma)
<TYPE4>	0x84	This is an 8-bit delimiter-less type code for the first sub-band block of wavelet data. (Model 2 Luma)
#SOB1	0xffffffff81	Start of Block delimiter identifies the start of Huffman coded sub-band data. This delimiter will reset the Huffman decoder if a system ever experiences bit errors or gets out of sync. The order of blocks in the frame is fixed and therefore implied in the bit stream and no unique #SOB delimiters are needed per block. There are 41 #SOB delimiters and associated BW and Huffman data within a field. #SOB1 is differentiated from #SOB2, #SOB3 and #SOB4 in that they indicate which model and Huffman table was used in the Run Length Coder for the particular block: #SOB1 Model 1 Chroma #SOB2 Model 1 Luma #SOB3 Model 2 Chroma #SOB4 Model 2 Luma #SOB5 Zero data block. All data after this delimiter and before the next start of block delimiter is ignored (if present at all) and assumed zero including the BW value.
#SOB2	0xffffffff82	
#SOB3	0xffffffff83	
#SOB4	0xffffffff84	
#SOB5	0xffffffff8f	

Table XVIII. ADV601 Field and Block Delimiters (Codes)

Code Name	Code	Description (Align all #Delimiter Codes to 32-Bit Boundaries) (Continued)
<BW>	(16 bits, 8.8)	This data code is not entropy coded, is always 16 bits in length and defines the Bin Width Quantizer control used on all data in the block sub-band. During decode, this value is used by the Quantizer. If this value is set to zero during decode, all Huffman data is presumed to be zero and is ignored, but must be included. During encode, this value is calculated by the external DSP and is inserted into the bit stream by the ADV601 (this value is not used by the quantizer). Another value calculated by the DSP, 1/BW is actually used by the Quantizer during encode.
<HUFF_DATA>	(Modulo 32)	This data is the quantized and entropy coded block sub-band data. The data's length is dependent on block size and entropy coding so it is therefore variable in length. This field is filled with 1s making it Modulo 32 bits in length. Any Huffman decode process can be interrupted and reset by any unexpectedly received # delimiter following a bit error or synchronization problem.
#EOS	0xffffffffc0ffffff	The host sends the #EOS (End of Sequence) to the ADV601 during decode after the last field in a sequence to indicate that the field sequence is complete. The ADV601 does not append this code to the end of encoded field sequences; it must be added by the host.

Table XIX. Video Data Bitstream for One Field In a Video Sequence¹

ffff	ffff	4000	0000	0000	0000	0000	0000	0000	0000	8400	00ff	df0d	8eff	ffff	ffff
8400	00ff	df0c	daff	ffff	ffff	8300	00ff	609f	ffff	ffff	ffff	8300	00fe	c5af	ffff
ffff	ffff	8300	00ff	609f	ffff	ffff	ffff	8300	00fe	c5af	ffff	ffff	ffff	8300	00ff
609f	ffff	ffff	ffff	8300	00fe	c70f	ffff	ffff	ffff	8300	00ff	609f	ffff	ffff	ffff
8300	00fe	c70f	ffff	ffff	ffff	8300	00ff	609f	ffff	ffff	ffff	8300	00fe	c78f	ffff
ffff	ffff	8300	00ff	609f	ffff	ffff	ffff	8300	00fe	c78f	ffff	ffff	ffff	8300	00ff
6894	3fff	ffff	ffff	811d	40f0	90ff	ffff	ffff	ffff	8300	00ff	6894	3fff	ffff	ffff
811d	40f0	90ff	ffff	ffff	ffff	8300	00ff	68aa	bfff	ffff	ffff	8116	80f0	9bff	ffff
ffff	ffff	8300	00ff	68aa	bfff	ffff	ffff	8116	80f0	9bff	ffff	ffff	ffff	8300	00ff
6894	3fff	ffff	ffff	8116	80f0	9fff	ffff	ffff	ffff	8300	00ff	6894	3fff	ffff	ffff
8116	80f0	9fff	ffff	ffff	ffff	8300	00ff	fe62	a2ff	ffff	ffff	8103	e6e9	d74d	75d7
5d75	d75a	f8f9	74eb	d7af	5ebd	7af5	ebf0	f8f8	f979	7979	7979	7979	79fd	5f5f	c7e3
f1f8	fc7e	3f1f	8fc7	e5fa	ff6f	d5f6	7d9f	67d9	f67d	9f67	d9f6	7edf	abec	f87c	3e1f
0f87	c3e1	f0f8	fd9f	1f1f	2f2f	2f2f	2f2f	2f2f	2f1f	2ebd	7af5	ebd7	ae9d	74e9	a56d
6b5a	d6b5	a2b0	d249	24a5	ce36	db6d	b6db	6db7	c6fd	fd3d	3d3d	3d3d	3d3d	3d3b	7a7b
fbfb	fbfb	fbfb	fbfb	fcfd	bdfe	dfb7	edfb	7eef	bbee	fbbe	dfbb	db67	f6fd	ff7f	dff7
fdff	7dfd	f7fd	feff	3fbb	effb	feff	bfef	fbfe	ffbf	efff	ffff	ffff	ffff	8300	00ff
fe62	a2ff	ffff	ffff	8103	e6fd	bfab	f9bf	57d5	f2eb	18f4	f9fd	ffb7	f5ff	3feb	fafc
7431	e9f4	fbff	77eb	fd3f	b3ec	f2d5	efeb	f6fe	1fbb	f67e	afdb	f0f3	aaed	edf7	fe3f
57ed	fd7f	bbe3	d2d3	dfe7	f87e	5f57	eefd	9fbb	e5d6	2fdf	e7f8	7eff	abf7	7ecf	ddf2
eb17	eff3	fc3f	7fd5	fbfb	67ee	f975	8bf7	f9fe	1fbf	ea fd	dfb3	f77c	bac5	fbfc	ff0f
dff5	7eef	d9fb	be5d	62fd	fe7f	87ef	fabf	77ec	fddf	2eb1	7eff	3fc3	f7fd	5fbb	f67e
ef97	58bf	7f9f	e1fb	feaf	ddf b	3f77	cbac	5fbf	cff0	fdff	57ee	fd9f	bbe5	d62f	dfe7
f87e	ffaf	f77e	cfab	e5d6	2fe9	f3fc	7f7f	d9f5	7edf	abc7	431e	9f4f	c7f8	7fff	ffff
ffff	ffff	8400	00ff	dfb7	c5ff	df0d	7fff	ffff	ffff	8202	9afc	3eff	b7e9	ede9	e9e9
e9e9	e9e9	e9e9	e9e9	e9e9	e9e9	e9e9	dbef	fbbe	9efe	9dbb	76ed	dbb7	6edd	bb76	eddb
b76e	ddb7	fbbe	df9f	af6d	b6db	6db6	db6d	b6db	6db6	db6d	aff6	fd3d	bbed	7bde	f7bd
ef7b	def7	bdef	75f4	f7f4	dee9	2492	4924	924c	fa7b	77da	6991	f4f7	efb4	d323	e9ed
df69	a647	d3db	bed3	4c8f	a7b7	7da6	991f	4f7e	fb4d	323e	9edd	f69a	647d	3dbb	ed34
c8fa	7b77	da69	647c	fd7b	6100	0000	0045	bdfd	37bb	8888	8888	8888	8888	8aff	ffff
ffff	ffff	8400	00ff	c9a7	1fff	ffff	ffff	820f	00ff	7704	4fff	ffff	ffff	8400	00ff
c9a7	1fff	ffff	ffff	820f	00ff	7704	bfff	ffff	ffff	8400	00ff	c9a7	1fff	ffff	ffff
8213	80ff	7703	5fff	ffff	ffff	8200	00ff	7743	1fff	ffff	ffff	8200	00ff	7743	1fff
ffff	ffff	8200	00ff	7745	efff	ffff	ffff	8400	00ff	df0c	daff				

NOTE

¹This table shows ADV601 compressed data for one field in a color ramp video sequence. The SOF# and SOB# codes in the data are in bold text.

Bit Error Tolerance

Bit error tolerance is ensured because a bit error within a Huffman coded stream does not cause #delimiter symbols to be misread by the ADV601 in decode mode. The worst error that

can occur is loss of a complete block of Huffman data. With the ADV601, this type of error results only in some blurring of the decoded image, not complete loss of the image.

ADV601

APPLYING THE ADV601

This section includes the following topics:

- Using the ADV601 in computer applications
- Using the ADV601 in standalone applications
- Configuring the host interface for 8-, 16- or 32-bit data paths
- Connecting the video interface to popular video encoders and decoders
- Getting the most out of the ADV601

The following Analog Devices products should be considered in ADV601 designs:

- ADV7175/ADV7176—Digital YUV to analog composite video encoder
- AD722—Analog RGB to analog composite video encoder
- AD1843—Audio codec with embedded video synchronization
- ADSP-21xx—Family of fixed-point digital signal processors
- AD8xxx—Family of video operational amplifiers

Using the ADV601 in Computer Applications

Many key features of the ADV601 were driven by the demanding cost and performance requirements of computer applications. The following ADV601 features provide key advantages in computer applications:

- *Host Interface*
The 512 double word FIFO provides necessary buffering of compressed digital video to deal with PCI bus latency.
- *Low Cost External DRAM*
Unlike many other real-time compression solutions, the ADV601 does not require expensive external SRAM transform buffers or VRAM frame stores.

Using the ADV601 In Standalone Applications

Figure 15 shows how to connect the ADV601 in noncomputer based applications. In this case, an ADSP-2105 (low cost DSP) performs BW calculations and an ASIC controls the ADV601 through the host interface. Because the ADSP-2105 calculates BW during the vertical retrace period each field, most of the DSP's computational bandwidth is available for other functions such as audio compression or communication. BW software for the entire family of Analog Devices' 16-bit DSPs (including the ADSP-2105) will be available at no cost from Analog Devices.

Figure 16 shows the ADV601 in another noncomputer based applications. Here, an ADSP-21csp01 provides Host control and BW calculation services. Note that all control and BW operations occur over the host interface in this design.

Connecting the ADV601 to Popular Video Decoders and Encoders

The following circuits are recommendations only. Analog Devices has not actually built or tested these circuits.

Using the Brooktree Bt819A Video Decoder

Brooktree has three video decoder parts, the 819A, 817A and 815A. Only the 819A has an output FIFO. Because Brooktree parts must sample at 8xFsc, this FIFO is needed to resynchronize output data to the ADV601 data rates.

According to the Brooktree data sheet, the Mode B Asynchronous Pixel Interface (API) must be used to give a continuous stream of active and blanked data as required by the ADV601. An external circuit is used to generate RDEN (read enable) pin input for the Bt819A, and the ADV601 VCLKO signal must be divided by two; either with an external circuit (as shown) or by setting the VCLK2 bit in the Mode Control register.

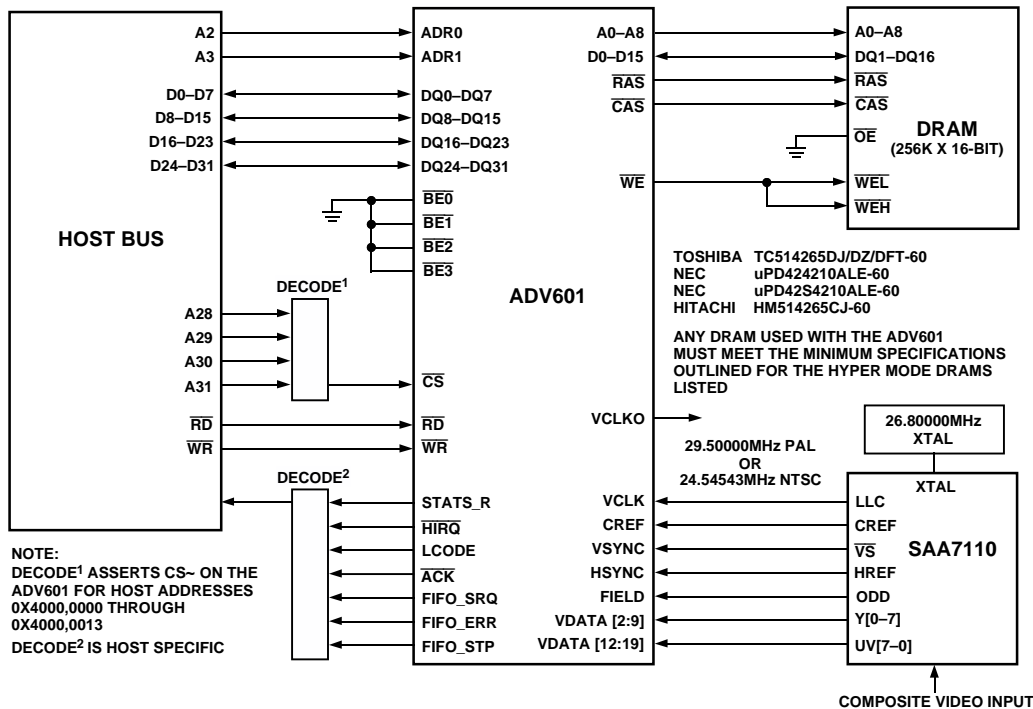


Figure 14. A Suggested PC Application Design

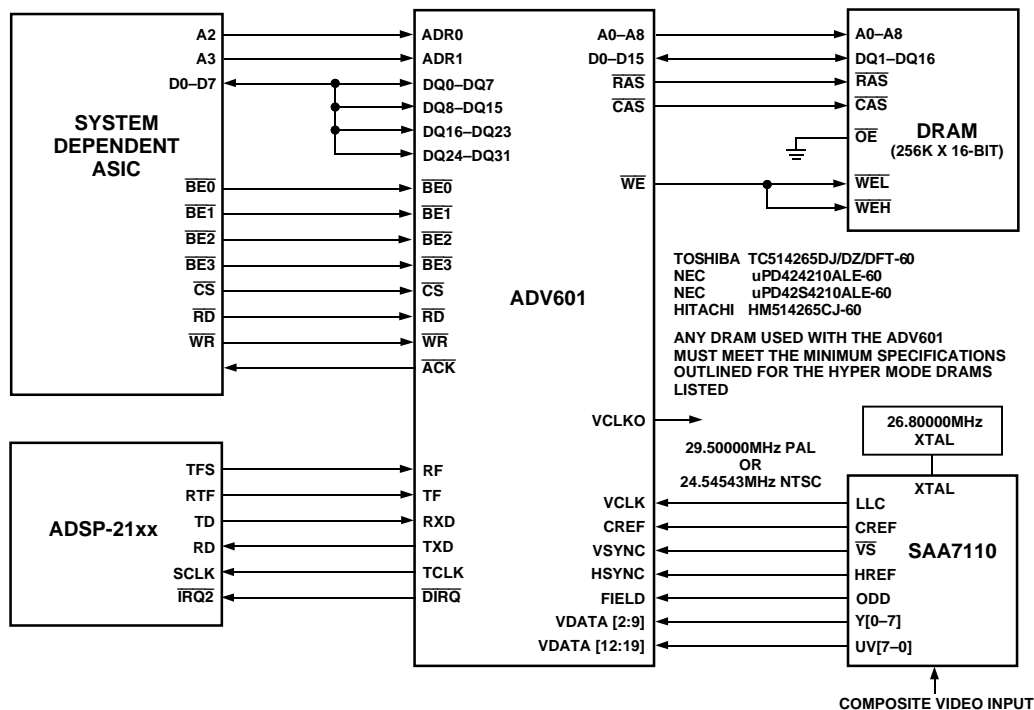


Figure 15. Suggested Standalone Application Design

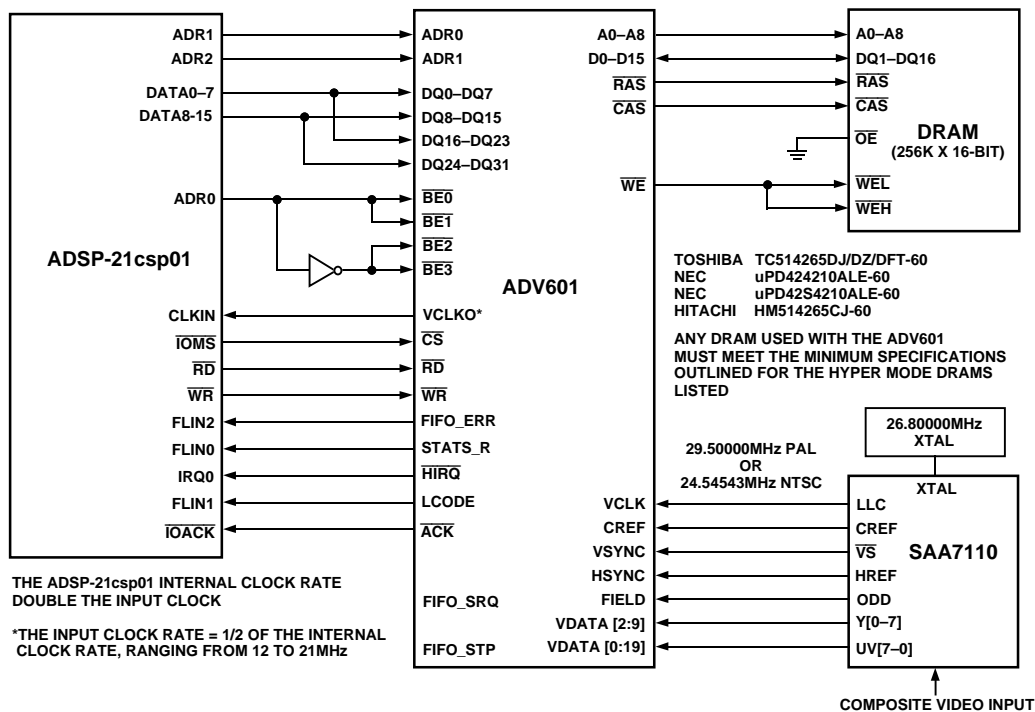


Figure 16. Alternate Standalone Application Design

ADV601

The Bt819A has a horizontal scaling function that is used to implement the decimation from the 8xFsc rate to the required number of pixels per scan line (Pdesired). The value that must be programmed is HSCALE.

- HSCALE = $((910/P_{desired}) - 1) \times 4096$ {for NTSC}
- HSCALE = $((1135/P_{desired}) - 1) \times 4096$ {for PAL}

Note that the circuit in Figure 17 has not been built or tested.

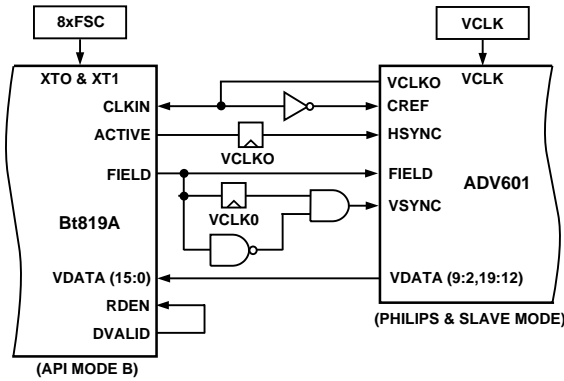


Figure 17. ADV601 and Bt819A Example Interfacing Block Diagram

Using the Philips SAA7110 or SAA 7111 Video Decoder

The SAA7110 can only be used with Square Pixel sample rates.

Note that the circuit in Figure 18 has not been built or tested.

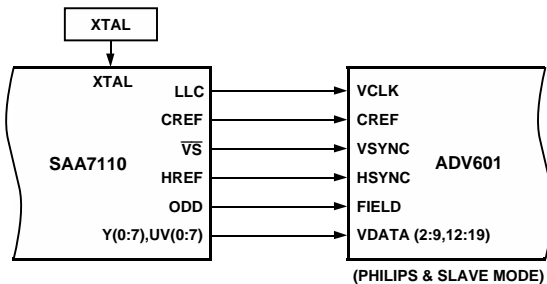


Figure 18. ADV601 and SAA7110 Example Interfacing Block Diagram

The SAA7111 example circuit, which appears in Figure 19, is used in this configuration on the ADV601 Video Lab demonstration board.

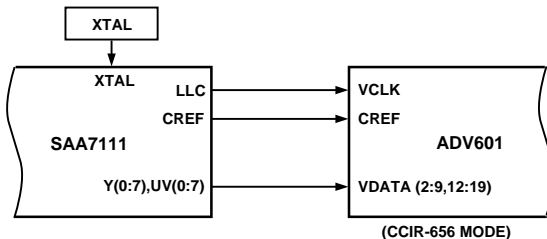


Figure 19. ADV601 and SAA7111 Example Interfacing Block Diagram

Using the Analog Devices ADV7175 Video Encoder

Because the ADV7175 has a CCIR-656 interface, it connects directly with the ADV601 without “glue” logic. Note that the ADV7175 can only be used at CCIR-601 sampling rates.

The ADV7175 example circuit, which appears in Figure 20, is used in this configuration on the ADV601 Video Lab demonstration board.

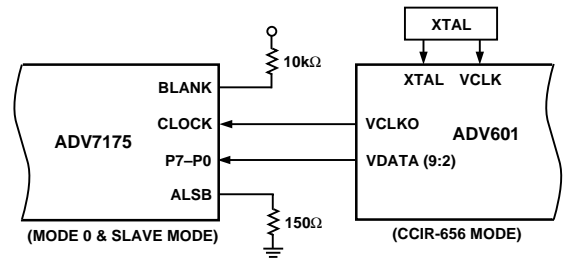


Figure 20. ADV601 and ADV7175 Example Interfacing Block Diagram

Using the Raytheon TMC22173 Video Decoder

Raytheon has a whole family of video parts. Any member of the family can be used. The user must select the part needed based on the requirements of the application. Because the Raytheon part does not include the A/Ds, an external A/D is necessary in this design (or a pair of A/Ds for S video).

The part can be used in CCIR-656 (D1) mode for a zero control signal interface or can be used with the more traditional HSYNC, VSYNC and FIELD signals used for a Philips style interface. Special attention must be paid to the video output modes in order to get the right data to the right pins (see the following two diagrams).

Note that the circuits in Figure 21 and Figure 22 have not been built or tested.

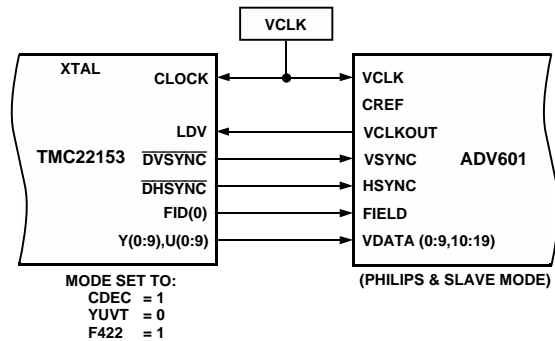


Figure 21. ADV601 and TMC22153 Example Philips-Like Mode Interface

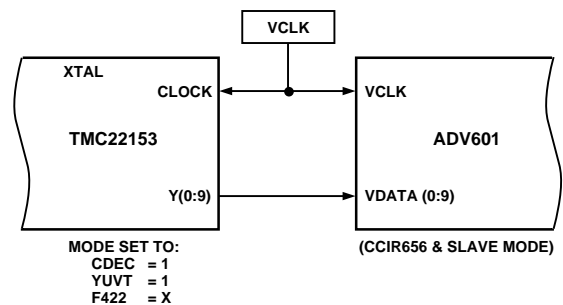


Figure 22. ADV601 and TMC22153 Example CCIR-656 Mode Interface

GETTING THE MOST OUT OF ADV601

The unique sub-band block structure of luminance and color components in the ADV601 offers many unique application benefits. Analog Devices will offer a Feature Software Library as well as separate feature application documentation to help users exploit these features. The following section provides an overview of only some of the features and how they are achieved with the ADV601. Please refer to Figures 2 and 3 as necessary.

Higher Compression With Interfield Techniques

The ADV601 normally operates as a field-independent codec. However, through use of the sub-bands it is possible to use the ADV601 with interfield techniques to achieve even higher levels of compression. In such applications, each field is not compressed separately, thus accessing the compressed bit stream can only be done at specific points in time. There are two general ways this can be accomplished:

- *Subsampling high frequency blocks*
The human visual system is more sensitive to interframe motion of low frequency block than to motion in high frequency blocks. The host software driver of the ADV601 allows exploitation of this option to achieve higher compression. Note that the compressed bit stream can only be accessed at points where the high frequency blocks have just been updated.
- *Updating the image with motion detection*
In applications where the video is likely to have no motion for extended periods of time (video surveillance in a vacant building, for instance), it is only necessary to update the image either periodically or when motion occurs. By using the wavelet sub-bands to detect motion (see later in this section), it is possible to achieve very high levels of compression when motion is infrequent.

Scalable Compression Technology

The ADV601 offers many different options for scaling the image, the compressed bit stream bandwidth and the processing horsepower for encode or decode. Because the ADV601 employs decimators, interpolators and filters in the filter bank, the scaling function creates much higher quality images than achieved through pixel dropping. Mixing and matching the many scaling options is useful in network applications where transmission pipes may vary in available bit rate, and decode/encode capabilities may be a mix of software and hardware. These are the key options:

- *Extract scaled images by factors of 2 from the compressed bit stream*
This is useful in video editing applications where thumbnail sketches of fields need to be displayed. In this case, editing software can quickly extract and decode the desired image. This technique eliminates the burden of decoding an entire image and then scaling to the desired size.
- *Use software to decode bit stream*
Decoding an entire CCIR-601 resolution image in real time at 50/60 fields per second does require the ADV601 hardware. Analog Devices provides a bit-exact ADV601 simulator that can decode a scaled image in real time or a full-size image off-line. Image size and frame rates depend on the performance of the host processor.

- *Scale bit stream*
The compressed video bit stream was created with simple parsing in mind. This type of parsing means that a lower resolution/lower bandwidth bit stream can be extracted with little computational burden. Generally, this effect is accomplished by selecting a subset of lower frequency blocks. This technique is useful in applications where the same video source material must be sent over a range of different communication pipes {i.e., ISDN p(128 Kbps), T1 (1.5 Mbps) or T3 (45 Mbps)}.
- *Use software to encode*
In this case, a host CPU could encode a smaller image size and fill in high frequency blocks with zeros. Again, image quality would depend on the performance of the host. The Bin Width may be set to zero, zeroing out the data in any particular Mallat block.

Parametric Image Filtering

The ADV601 offers a unique set of image filtering capabilities not found in other compression technologies. The ADV601 quantizer is capable of attenuating any or all of the luminance or chrominance blocks during encode or decode. Here are some of the possible applications:

- *Parametric softening of color saturation and contrast during encode or decode*
Trade off image softness for higher compression. Attenuation of the higher frequency blocks during encode leads to softer images, but it can lead to much higher compression performance.
- *Color saturation control*
This effect is achieved by controlling gain of low pass chrominance blocks during encode or decode.
- *Contrast control*
This effect is achieved by controlling the gain of the low frequency luminance blocks during encode or decode.
- *Fade to black*
This effect achieved by attenuation of luminance blocks.

Mixing of Two or More Images

Blocks from different images can be mixed into the bit stream and then sent to the ADV601 during decode. The result is high quality mixing of different images. This also provides the capability to fade from one image to the next.

Edge or Motion Detection

In certain remote video surveillance and machine vision applications, it is desirable to detect edges or motion. Edges can be quickly found through evaluation of the high frequency blocks. Motion searches can be achieved in two ways:

- *Evaluation of the smallest luminance block.* Because the size of the smallest block is from 20×15 pixels (for square pixel NTSC) to 24×18 pixels (square pixel PAL), the computational burden is significantly less than doing an evaluation over the entire image.
- *Polling the Sum of Squares registers.* Because large changes in the video data create patterns, it is possible to detect motion in the video by polling the Sum of Squares registers, looking for patterns and changes.

ADV601—SPECIFICATIONS

The ADV601 video codec uses a Bi-Orthogonal (7, 9) Wavelet Transform.

RECOMMENDED OPERATING CONDITIONS

Parameter	Description	Min	Max	Unit
V _{DD}	Supply Voltage	4.50	5.50	V
T _{AMB}	Ambient Operating Temperature	0	+70	°C

ELECTRICAL CHARACTERISTICS

Parameter	Description	Test Conditions	Min	Max	Unit
V _{IH}	Hi-Level Input Voltage	@ V _{DD} = max	2.0	N/A	V
V _{IL}	Lo-Level Input Voltage	@ V _{DD} = min	N/A	0.8	V
V _{OH}	Hi-Level Output Voltage	@ V _{DD} = min, I _{OH} = -0.5 mA	2.4	N/A	V
V _{OL}	Lo-Level Output Voltage	@ V _{DD} = min, I _{OL} = 2 mA	N/A	0.4	V
I _{IH}	Hi-Level Input Current	@ V _{DD} = max, V _{IN} = V _{DD} max	N/A	10	μA
I _{IL}	Lo-Level Input Current	@ V _{DD} = max, V _{IN} = 0 V	N/A	10	μA
I _{OZH}	Three-State Leakage Current	@ V _{DD} = max, V _{IN} = V _{DD} max	N/A	10	μA
I _{OZL}	Three-State Leakage Current	@ V _{DD} = max, V _{IN} = 0 V	N/A	10	μA
C _I	Input Pin Capacitance	@ V _{IN} = 2.5 V, f _{IN} = 1.0 MHz, T _{AMB} = 25°C	N/A	8*	pF
C _O	Output Pin Capacitance	@ V _{IN} = 2.5 V, f _{IN} = 1.0 MHz, T _{AMB} = 25°C	N/A	8*	pF

*Guaranteed but not tested.

ABSOLUTE MAXIMUM RATINGS*

Parameter	Description	Min	Max	Unit
V _{DD}	Supply Voltage	-0.3	+7	V
V _{IN}	Input Voltage	N/A	V _{DD} ± 0.3	V
V _{OUT}	Output Voltage	N/A	V _{DD} ± 0.3	V
T _{AMB}	Ambient Operating Temperature	0	+70	°C
T _S	Storage Temperature	-65	+150	°C
T _L	Lead Temperature (5 sec) PQFP	N/A	+280	°C

*Stresses greater than those listed above under Absolute Maximum Ratings may cause permanent damage to the device. This is a stress rating only; functional operation of the device at these or any other conditions above those indicated in the Pin Definitions section of this specification is not implied. Exposure to maximum rating conditions for extended periods may affect device reliability.

SUPPLY CURRENT AND POWER

Parameter	Description	Test Conditions	Min	Max	Unit
I _{DD}	Supply Current (Dynamic)	@ V _{DD} = max, t _{VCLK-CYC} = 37 ns (at 27 MHz VCLK)	0.11	0.27	A
I _{DD}	Supply Current (Soft Reset)	@ V _{DD} = max, t _{VCLK-CYC} = 37 ns (at 27 MHz VCLK)	0.08	0.17	A
I _{DD}	Supply Current (Idle)	@ V _{DD} = max, t _{VCLK-CYC} = None	0.01	0.02	A

ENVIRONMENTAL CONDITIONS

Parameter	Description	Max	Unit
θ _{CA}	Case-to-Ambient Thermal Resistance	42	°C/W
θ _{JA}	Junction-to-Ambient Thermal Resistance	60	°C/W
θ _{JC}	Junction-to-Case Thermal Resistance	18	°C/W

CAUTION

The ADV601 is an ESD (electrostatic discharge) sensitive device. Electrostatic charges readily accumulate on the human body and equipment and can discharge without detection. Permanent damage may occur to devices subjected to high energy electrostatic discharges. Proper ESD precautions are strongly recommended to avoid functional damage or performance degradation. The ADV601 latchup immunity has been demonstrated at ≥100 mA/-80 mA on all pins when tested to industry standard/JEDEC methods.



TEST CONDITIONS

Figure 23 shows test condition voltage reference and device loading information. These test conditions consider an output as *disabled* when the output stops driving and goes from the measured high or low voltage to a high impedance state. Tests measure output disable time (t_{DISABLE}) as the time between the reference input signal crossing +1.5 V and the time that the

output reaches the high impedance state (also +1.5 V). Similarly, these tests conditions consider an output as *enabled* when the output leaves the high impedance state and begins driving a measured high or low voltage. Tests measure output enable time (t_{ENABLE}) as the time between the reference input signal crossing +1.5 V and the time that the output reaches the measured high or low voltage.

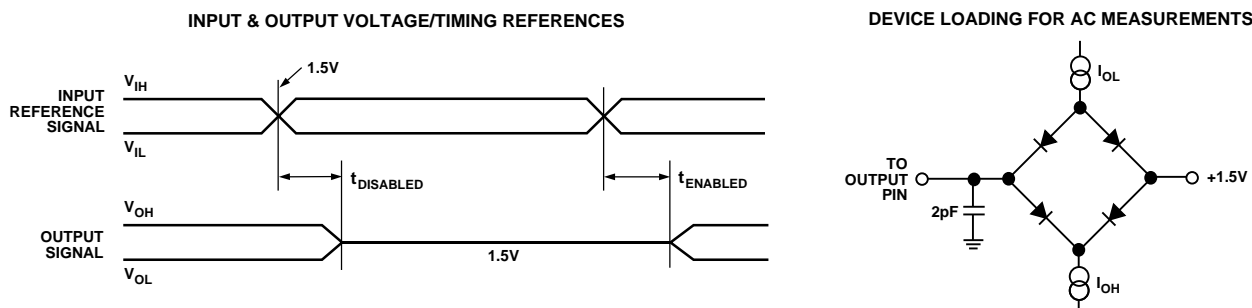


Figure 23. Test Condition Voltage Reference and Device Loading

TIMING PARAMETERS

This section contains signal timing information for the ADV601. Timing descriptions for the following items appear in this section:

- Clock signal timing
- Video data transfer timing (CCIR-656, Gray Scale/Philips, and Multiplexed Philips formats)
- Host data transfer timing (direct register read/write access)
- DSP data transfer (serial data transfer)

Clock Signal Timing

The diagram in this section shows timing for VCLK input and VCLKO output. All output values assume a maximum pin loading of 50 pF.

Table XX. Video Clock Period, Frequency, Drift and Jitter

Video Format	Min VCLK_CYC Period	Nominal VCLK_CYC Period (Frequency)	Max VCLK_CYC Period ^{1, 2}
CCIR-601 PAL	35.2 ns	37 ns (27 MHz)	38.9 ns
Square Pixel PAL	32.2 ns	33.89 ns (29.5 MHz)	35.5 ns
CCIR-601 NTSC	35.2 ns	37 ns (27 MHz)	38.9 ns
Square Pixel NTSC	38.7 ns	40.75 ns (24.54 MHz)	42.7 ns

NOTES

¹VCLK Period Drift = ± 0.1 (VCLK_CYC/field).

²VCLK edge-to-edge jitter = 1 ns.

Table XXI. Video Clock Duty Cycle

	Min	Nominal	Max
VCLK Duty Cycle ¹	(40%)	(50%)	(60%)

NOTE

¹VCLK Duty Cyle = $t_{\text{VCLK_HI}} / (t_{\text{VCLK_LO}}) \times 100$.

Table XXII. Video Clock Timing Parameters

Parameter	Description	Min	Max	Unit
$t_{\text{VCLK_CYC}}$	VCLK Signal, Cycle Time (1/Frequency) at 27 MHz	(See Video Clock Period Table)		
$t_{\text{VCLKO_D0}}$	VCLKO Signal, Delay (when VCLK2 = 0) at 27 MHz	10	29	ns
$t_{\text{VCLKO_D1}}$	VCLKO Signal, Delay (when VCLK2 = 1) at 27 MHz	10	29	ns

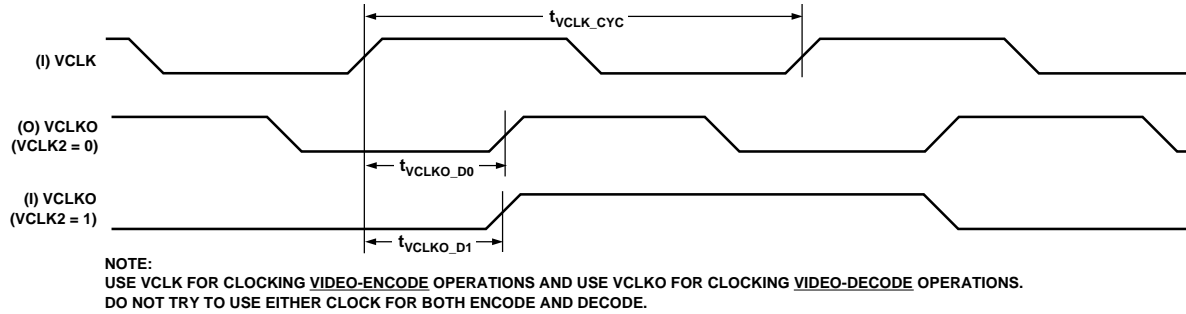


Figure 24. Video Clock Timing

CCIR-656 Video Format Timing

The diagrams in this section show transfer timing for pixel (YCrCb), line (horizontal), and frame (vertical) data in CCIR-656 video mode. All output values assume a maximum pin loading of 50 pF. Note that in timing diagrams for CCIR-656 video, the label *CTRL* indicates the VSYNC, HSYNC, and FIELD pins. Also note that for CCIR-656 video mode, the CREF pin is unused.

Table XXIII. CCIR-656 Video—Decode Pixel (YCrCb) Timing Parameters

Parameter	Description	Min	Max	Units
$t_{VDATA_DC_D}$	VDATA Signals, Decode CCIR656 Mode, Delay	N/A	14	ns
$t_{VDATA_DC_OH}$	VDATA Signals, Decode CCIR656 Mode, Output Hold	2	N/A	ns
$t_{CTRL_DC_D}$	CTRL Signals, Decode CCIR656 Mode, Delay	N/A	11	ns
$t_{CTRL_DC_OH}$	CTRL Signals, Decode CCIR656 Mode, Output Hold	3	N/A	ns

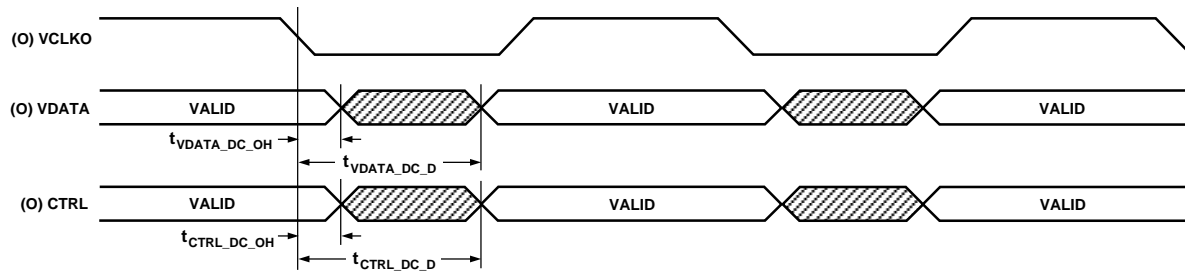


Figure 25. CCIR-656 Video—Decode Pixel (YCrCb) Transfer Timing

Table XXIV. CCIR-656 Video—Encode Pixel (YCrCb) Timing Parameters

Parameter	Description	Min	Max	Units
$t_{VDATA_EC_S}$	VDATA Bus, Encode CCIR656 Mode, Setup	2	N/A	ns
$t_{VDATA_EC_H}$	VDATA Bus, Encode CCIR656 Mode, Hold	5	N/A	ns
$t_{CTRL_EC_D}$	CTRL Signals, Encode CCIR656 Mode, Delay	N/A	33	ns
$t_{CTRL_EC_OH}$	CTRL Signals, Encode CCIR656 Mode, Output Hold	20	N/A	ns

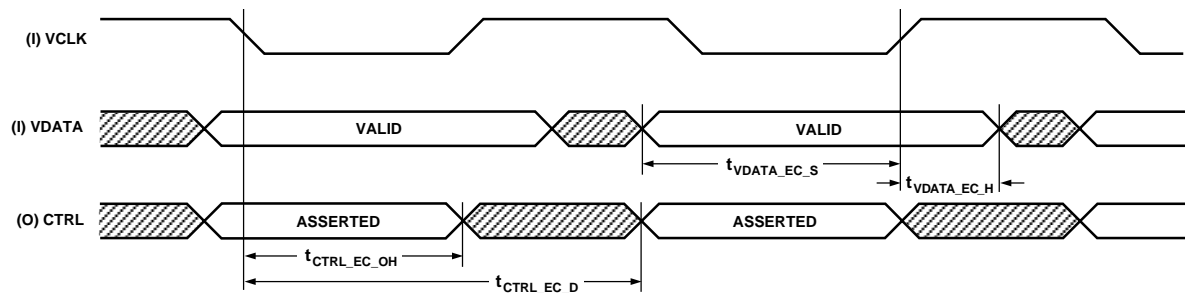


Figure 26. CCIR-656 Video—Encode Pixel (YCrCb) Transfer Timing

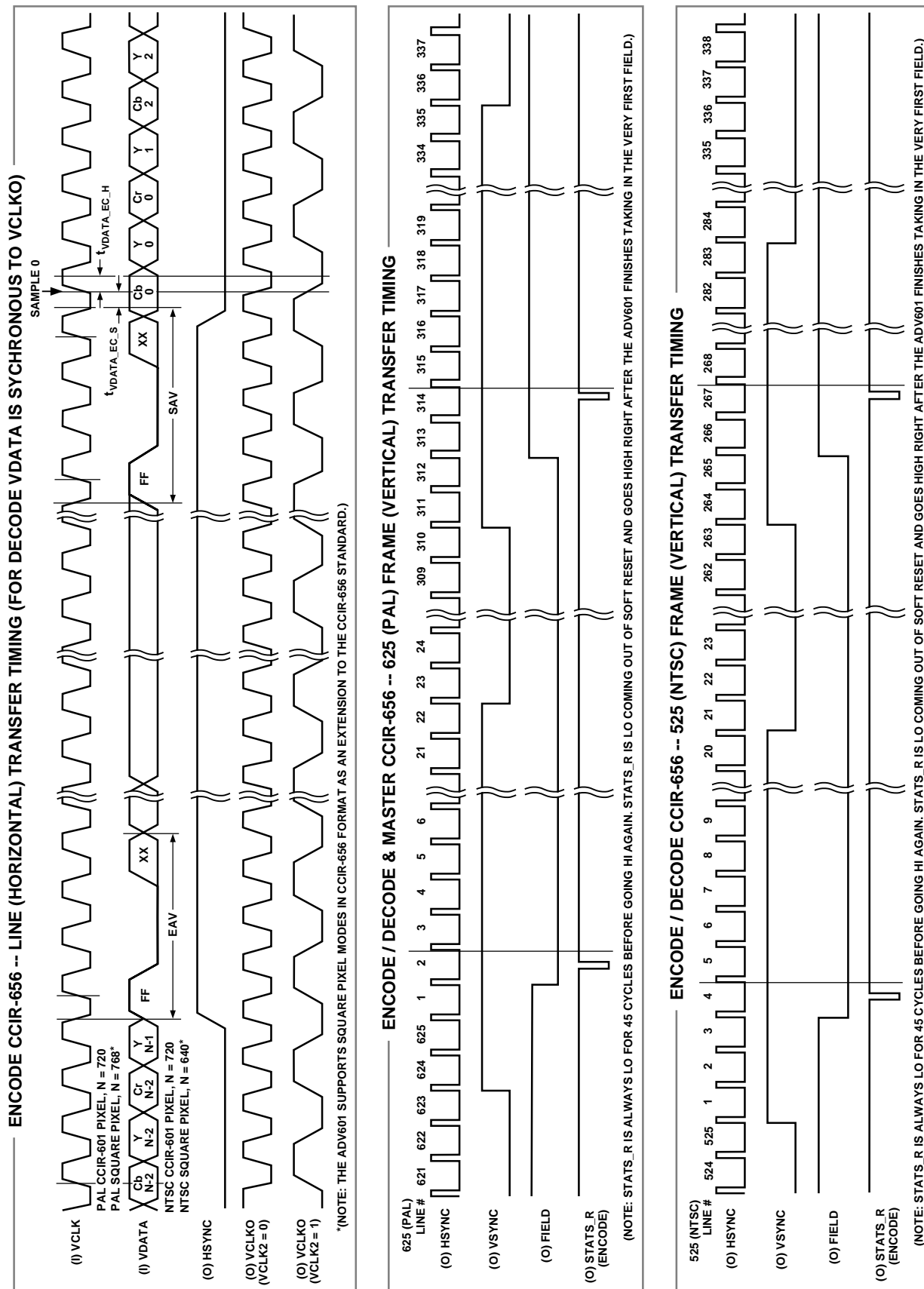


Figure 27. CCIR-656 Video—Line (Horizontal) and Frame (Vertical) Transfer Timing

Note that for CCIR-656 Video—Decode and Master Line (Horizontal) timing, VDATA is synchronous with VCLK0.

ADV601

Gray Scale/Philips Video Timing

The diagrams in this section show transfer timing for pixel (YCrCb), line (horizontal) and frame (vertical) data in Gray Scale or Philips video modes. All output values assume a maximum pin loading of 50 pF. Note that in timing diagrams for Gray Scale/Philips video, the label CTRL indicates the VSYNC, HSYNC and FIELD pins.

Table XXV. Gray Scale/Philips Video—Decode and Master Pixel (YCrCb) Timing Parameters

Parameter	Description	Min	Max	Unit
$t_{VDATA_DMGP_D}$	VDATA Bus, Decode Master Gray Scale/Philips, Delay	N/A	14	ns
$t_{VDATA_DMGP_OH}$	VDATA Bus, Decode Master Gray Scale/Philips, Output Hold	2	N/A	ns
$t_{CTRL_DMGP_D}$	CTRL Signals, Decode Master Gray Scale/Philips, Delay	N/A	11	ns
$t_{CTRL_DMGP_OH}$	CTRL Signals, Decode Master Gray Scale/Philips, Output Hold	3	N/A	ns
$t_{CREF_DMGP_D}$	CREF Signal, Decode Master Gray Scale/Philips, Delay	N/A	12	ns
$t_{CREF_DMGP_OH}$	CREF Signal, Decode Master Gray Scale/Philips, Output Hold	4	N/A	ns

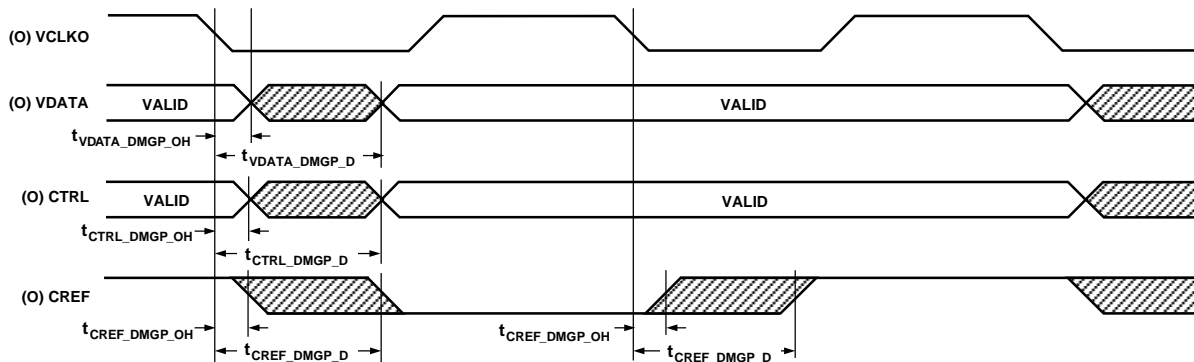


Figure 28. Gray Scale/Philips Video—Decode and Master Pixel (YCrCb) Transfer Timing

Table XXVI. Gray Scale/Philips Video—Decode and Slave Pixel (YCrCb) Timing Parameters

Parameter	Description	Min	Max	Unit
$t_{VDATA_DSGP_D}$	VDATA Bus, Decode Slave Gray Scale/Philips, Delay	N/A	14	ns
$t_{VDATA_DSGP_OH}$	VDATA Bus, Decode Slave Gray Scale/Philips, Output Hold	2	N/A	ns
$t_{CTRL_DSGP_S}$	CTRL Signals, Decode Slave Gray Scale/Philips, Setup	2	N/A	ns
$t_{CTRL_DSGP_H}$	CTRL Signals, Decode Slave Gray Scale/Philips, Hold	42	N/A	ns
$t_{CREF_DSGP_S}$	CREF Signal, Decode Slave Gray Scale/Philips, Setup	3	N/A	ns
$t_{CREF_DSGP_H}$	CREF Signal, Decode Slave Gray Scale/Philips, Hold	3	N/A	ns

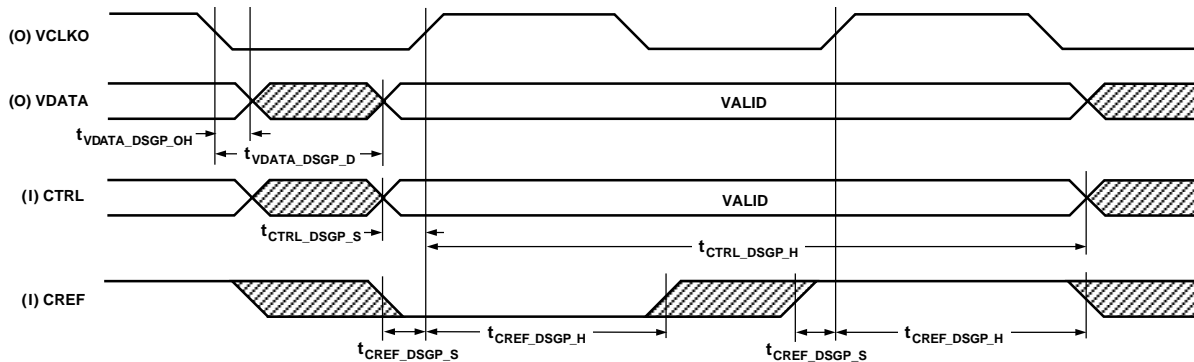


Figure 29. Gray Scale/Philips Video—Decode and Slave Pixel (YCrCb) Transfer Timing

Table XXVII. Gray Scale/Philips Encode and Master Video Timing Parameters

Parameter	Description	Min	Max	Unit
$t_{VDATA_EMGP_S}$	VDATA Bus, Encode Master Gray Scale/Philips, Setup	2	N/A	ns
$t_{VDATA_EMGP_H}$	VDATA Bus, Encode Master Gray Scale/Philips, Hold	5	N/A	ns
$t_{CTRL_EMGP_D}$	CTRL Signals, Encode Master Gray Scale/Philips, Delay	N/A	33	ns
$t_{CTRL_EMGP_OH}$	CTRL Signals, Encode Master Gray Scale/Philips, Output Hold	20	N/A	ns
$t_{CREF_EMGP_D}$	CREF Signal, Encode Master Gray Scale/Philips, Delay	N/A	33	ns
$t_{CREF_EMGP_OH}$	CREF Signal, Encode Master Gray Scale/Philips, Output Hold	13	N/A	ns

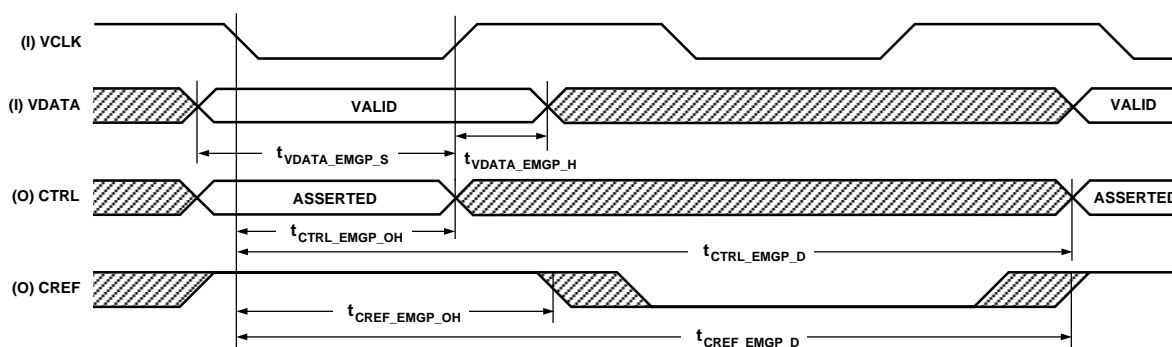


Figure 30. Gray Scale/Philips Video—Encode and Master Pixel (YCrCb) Transfer Timing

Table XXVIII. Gray Scale/Philips Video—Encode and Slave Pixel (YCrCb) Timing Parameters

Parameter	Description	Min	Max	Unit
$t_{VDATA_ESGP_S}$	VDATA Bus, Encode Slave Gray Scale/Philips, Setup	2	N/A	ns
$t_{VDATA_ESGP_H}$	VDATA Bus, Encode Slave Gray Scale/Philips, Hold	5	N/A	ns
$t_{CTRL_ESGP_S}$	CTRL Signals, Encode Slave Gray Scale/Philips, Setup	30	N/A	ns
$t_{CTRL_ESGP_H}$	CTRL Signals, Encode Slave Gray Scale/Philips, Hold	30	N/A	ns
$t_{CREF_ESGP_S}$	CREF Signal, Encode Slave Gray Scale/Philips, Setup	5	N/A	ns
$t_{CREF_ESGP_H}$	CREF Signal, Encode Slave Gray Scale/Philips, Hold	5	N/A	ns

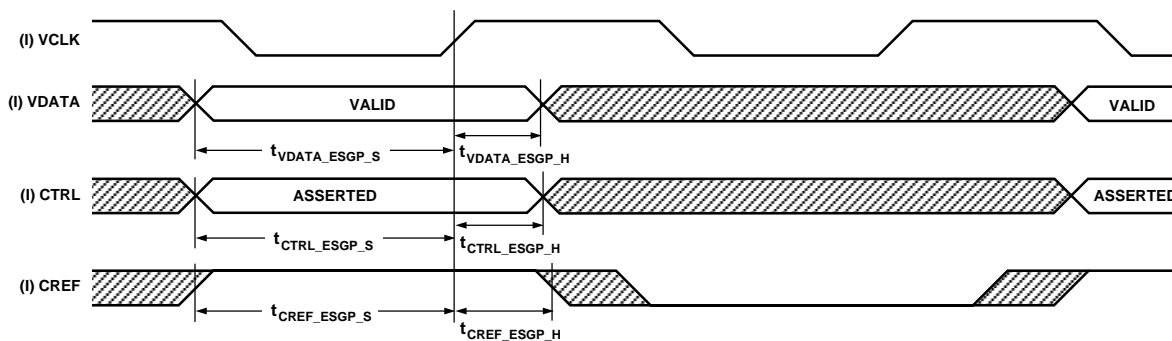


Figure 31. Gray Scale/Philips Video—Encode and Slave Pixel (YCrCb) Transfer Timing

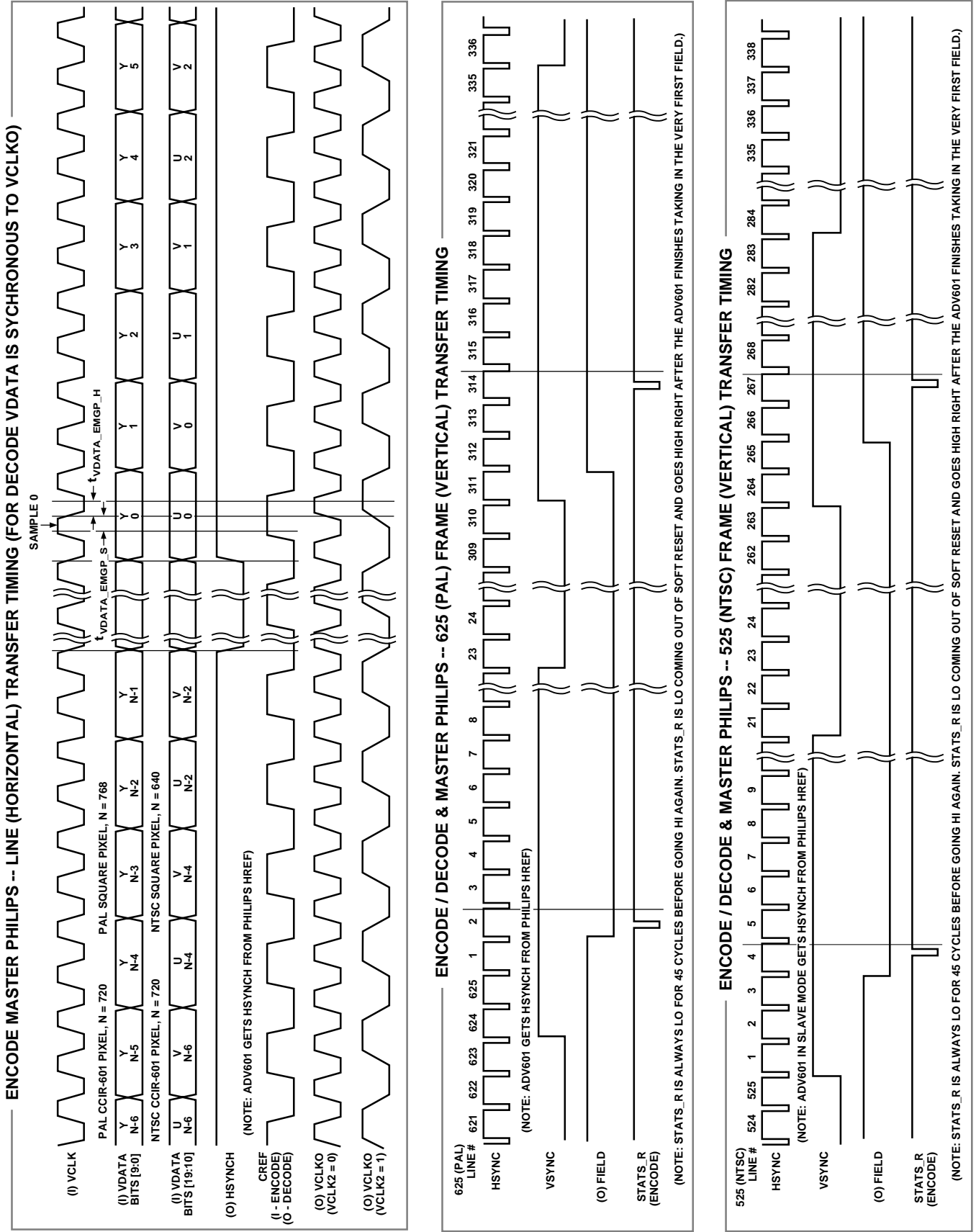


Figure 32. Gray Scale/Philips Video—Line (Horizontal) and Frame (Vertical) Transfer Timing

Note: For CCIR-656 Video—Decode and Master Line (Horizontal) timing, VDATA is synchronous with VCLK0.

Multiplexed Philips Video Timing

The diagrams in this section show transfer timing for pixel (YCrCb) data in Multiplexed Philips video mode. For line (horizontal) and frame (vertical) data transfer timing, see the Gray Scale/Philips Video Timing section. All output values assume a maximum pin loading of 50 pF. Note that in timing diagrams for Multiplexed Philips video, the label CTRL indicates the VSYNC, HSYNC and FIELD pins. Also note that for Multiplexed Philips mode the CREF pin is unused.

Table XXIX. Multiplexed Philips Video—Decode and Master Pixel (YCrCb) Timing Parameters

Parameter	Description	Min	Max	Unit
$t_{VDATA_DMM_D}$	VDATA Bus, Decode Master Multiplexed Philips, Delay	N/A	14	ns
$t_{VDATA_DMM_OH}$	VDATA Bus, Decode Master Multiplexed Philips, Output Hold	2	N/A	ns
$t_{CTRL_DMM_D}$	CTRL Signals, Decode Master Multiplexed Philips, Delay	N/A	11	ns
$t_{CTRL_DMM_OH}$	CTRL Signals, Decode Master Multiplexed Philips, Output Hold	3	N/A	ns

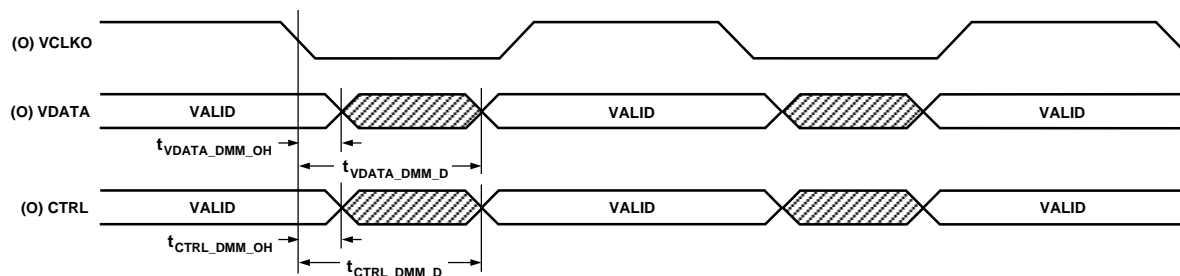


Figure 33. Multiplexed Philips Video—Decode and Master Pixel (YCrCb) Transfer Timing

Table XXX. Multiplexed Philips Video—Decode and Slave Pixel (YCrCb) Timing Parameters

Parameter	Description	Min	Max	Unit
$t_{VDATA_DSM_D}$	VDATA Bus, Decode Slave Multiplexed Philips, Delay	N/A	14	ns
$t_{VDATA_DSM_OH}$	VDATA Bus, Decode Slave Multiplexed Philips, Output Hold	2	N/A	ns
$t_{CTRL_DSM_S}$	CTRL Signals, Decode Slave Multiplexed Philips, Setup	2	N/A	ns
$t_{CTRL_DSM_H}$	CTRL Signals, Decode Slave Multiplexed Philips, Hold	42	N/A	ns

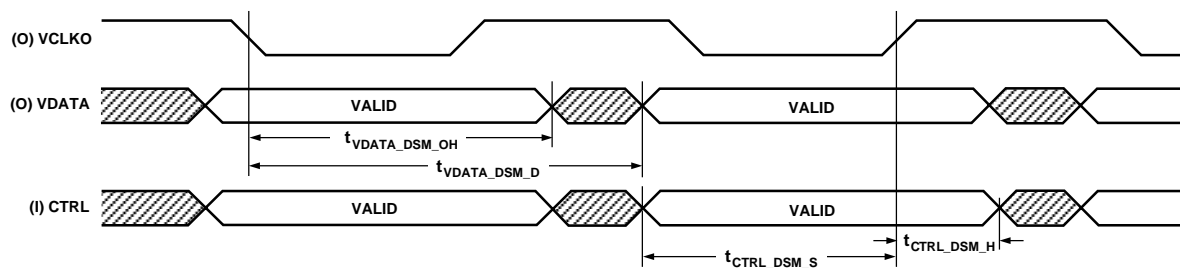


Figure 34. Multiplexed Philips Video—Decode and Slave Pixel (YCrCb) Transfer Timing

Table XXXI. Multiplexed Philips Video—Encode and Master Pixel (YCrCb) Timing Parameters

Parameter	Description	Min	Max	Unit
$t_{VDATA_EMM_S}$	VDATA Bus, Encode Master Multiplexed Philips, Setup	2	N/A	ns
$t_{VDATA_EMM_H}$	VDATA Bus, Encode Master Multiplexed Philips, Hold	5	N/A	ns
$t_{CTRL_EMM_D}$	CTRL Signals, Encode Master Multiplexed Philips, Delay	N/A	33	ns
$t_{CTRL_EMM_OH}$	CTRL Signals, Encode Master Multiplexed Philips, Output Hold	20	N/A	ns

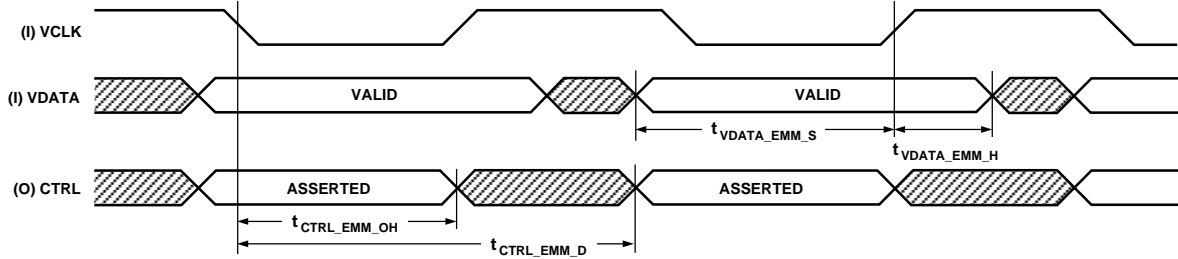


Figure 35. Multiplexed Philips Video—Encode and Master Pixel (YCrCb) Transfer Timing

Table XXXII. Multiplexed Philips Video—Encode and Slave Pixel (YCrCb) Timing Parameters

Parameter	Description	Min	Max	Unit
$t_{VDATA_ESM_S}$	VDATA Bus, Encode Slave Multiplexed Philips Mode, Setup	2	N/A	ns
$t_{VDATA_ESM_H}$	VDATA Bus, Encode Slave Multiplexed Philips Mode, Hold	5	N/A	ns
$t_{CTRL_ESM_S}$	CTRL Signals, Encode Slave Multiplexed Philips Mode, Setup	30	N/A	ns
$t_{CTRL_ESM_H}$	CTRL Signals, Encode Slave Multiplexed Philips Mode, Hold	30	N/A	ns

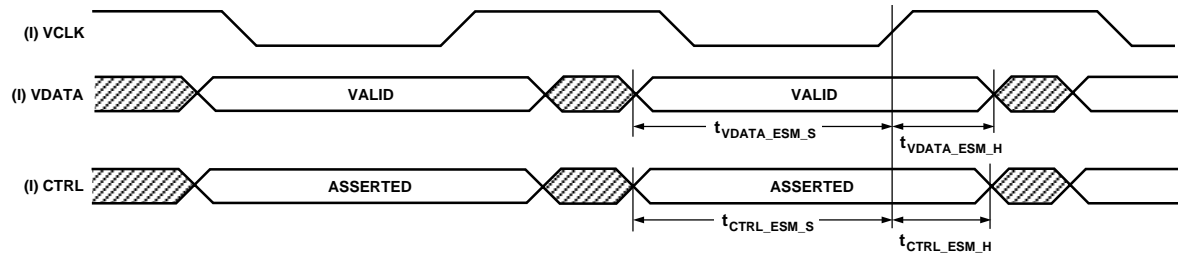


Figure 36. Multiplexed Philips Video—Encode and Slave Pixel (YCrCb) Transfer Timing

Host Interface (Indirect Address, Indirect Register Data, and Interrupt Mask/Status) Register Timing

The diagrams in this section show transfer timing for host read and write accesses to all of the ADV601's direct registers, except the Compressed Data register. Accesses to the Indirect Address, Indirect Register Data, and Interrupt Mask/Status registers are *slower* than access timing for the Compressed Data register. For information on access timing for the Compressed Data direct register, see the Host Interface (Compressed Data) Register Timing section. Note that for accesses to the Indirect Address, Indirect Register Data and Interrupt Mask/Status registers, your system *MUST* observe $\overline{\text{ACK}}$ and $\overline{\text{RD}}$ or $\overline{\text{WR}}$ assertion timing.

Table XXXIII. Host (Indirect Address, Indirect Data, and Interrupt Mask/Status) Read Timing Parameters

Parameter	Description	Min	Max	Unit
$t_{\overline{\text{RD}}_D_RDC}$	$\overline{\text{RD}}$ Signal, Direct Register, Read Cycle Time (at 27 MHz VCLK)	N/A ¹	N/A	ns
$t_{\overline{\text{RD}}_D_PWA}$	$\overline{\text{RD}}$ Signal, Direct Register, Pulse Width Asserted (at 27 MHz VCLK)	N/A ¹	N/A	ns
$t_{\overline{\text{RD}}_D_PWD}$	$\overline{\text{RD}}$ Signal, Direct Register, Pulse Width Deasserted (at 27 MHz VCLK)	5	N/A	ns
$t_{\text{ADR}_D_RDS}$	ADR Bus, Direct Register, Read Setup	2	N/A	ns
$t_{\text{ADR}_D_RDH}$	ADR Bus, Direct Register, Read Hold	2	N/A	ns
$t_{\text{DATA}_D_RDD}$	DATA Bus, Direct Register, Read Delay	N/A	171.6 ^{2,3}	ns
$t_{\text{DATA}_D_RDOH}$	DATA Bus, Direct Register, Read Output Hold (at 27 MHz VCLK)	13	N/A	ns
$t_{\overline{\text{RD}}_D_WRT}$	$\overline{\text{WR}}$ Signal, Direct Register, Read-to-Write Turnaround (at 27 MHz VCLK)	48.7 ⁴	N/A	ns
$t_{\overline{\text{ACK}}_D_RDD}$	$\overline{\text{ACK}}$ Signal, Direct Register, Read Delayed 27 MHz VCLK	8.6	287.1 ^{5,6}	ns
$t_{\overline{\text{ACK}}_D_RDOH}$	$\overline{\text{ACK}}$ Signal, Direct Register, Read Output Hold (at 27 MHz VCLK)	11	N/A	ns

NOTES

- ¹ $\overline{\text{RD}}$ input must be asserted (low) until ACK is asserted (low).
- ²Maximum $t_{\text{DATA}_D_RDD}$ varies with VCLK according to the formula: $t_{\text{DATA}_D_RDD}(\text{MAX}) = 4 (\text{VCLK Period}) + 16$.
- ³During STATS_R deasserted (low) conditions, $t_{\text{DATA}_D_RDD}$ may be as long as 52 VCLK periods.
- ⁴Minimum $t_{\overline{\text{RD}}_D_WRT}$ varies with VCLK according to the formula: $t_{\overline{\text{RD}}_D_WRT}(\text{MIN}) = 1.5 (\text{VCLK Period}) - 4.1$.
- ⁵Maximum $t_{\overline{\text{ACK}}_D_RDD}$ varies with VCLK according to formula: $t_{\overline{\text{ACK}}_D_RDD}(\text{MAX}) = 7 (\text{VCLK Period}) + 14.8$.
- ⁶During STATS_R deasserted (low) conditions, $t_{\overline{\text{ACK}}_D_RDD}$ may be as long as 52 VCLK periods.

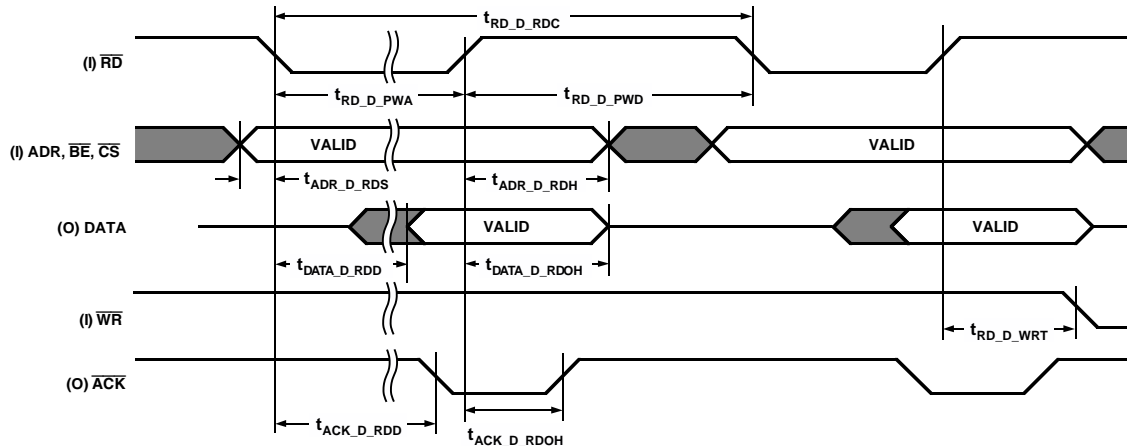


Figure 37. Host (Indirect Address, Indirect Register Data, and Interrupt Mask/Status) Read Transfer Timing

Table XXXIV. Host (Indirect Address, Indirect Data, and Interrupt Mask/Status) Write Timing Parameters

Parameter	Description	Min	Max	Unit
$t_{WR_D_WRC}$	\overline{WR} Signal, Direct Register, Write Cycle Time (at 27 MHz VCLK)	N/A ¹	N/A	ns
$t_{WR_D_PWA}$	\overline{WR} Signal, Direct Register, Pulse Width Asserted (at 27 MHz VCLK)	N/A ¹	N/A	ns
$t_{WR_D_PWD}$	\overline{WR} Signal, Direct Register, Pulse Width Deasserted (at 27 MHz VCLK)	5	N/A	ns
$t_{ADR_D_WRS}$	ADR Bus, Direct Register, Write Setup	2	N/A	ns
$t_{ADR_D_WRH}$	ADR Bus, Direct Register, Write Hold	2	N/A	ns
$t_{DATA_D_WRS}$	DATA Bus, Direct Register, Write Setup	-20	N/A	ns
$t_{DATA_D_WRH}$	DATA Bus, Direct Register, Write Hold	0	N/A	ns
$t_{WR_D_RDT}$	\overline{WR} Signal, Direct Register, Read Turnaround (After a Write) (at 27 MHz VCLK)	35.6 ²	N/A	ns
$t_{ACK_D_WRD}$	\overline{ACK} Signal, Direct Register, Write Delay (at 27 MHz VCLK)	8.6	182.1 ^{3,4}	ns
$t_{ACK_D_WROH}$	\overline{ACK} Signal, Direct Register, Write Output Hold	11	N/A	ns

NOTES

¹ \overline{WR} input must be asserted (low) until ACK is asserted (low).

²Minimum $t_{WR_D_RDT}$ varies with VCLK according to the formula: $t_{WR_D_RDT(MIN)} = 0.8 \text{ (VCLK Period)} + 7.4$.

³Maximum $t_{WR_D_WRD}$ varies with VCLK according to the formula: $t_{ACK_D_WRD(MAX)} = 4.3 \text{ (VCLK Period)} + 14.8$.

⁴During $STATS_R$ deasserted (low) conditions, $t_{ACK_D_WRD}$ may be as long as 52 VCLK periods.

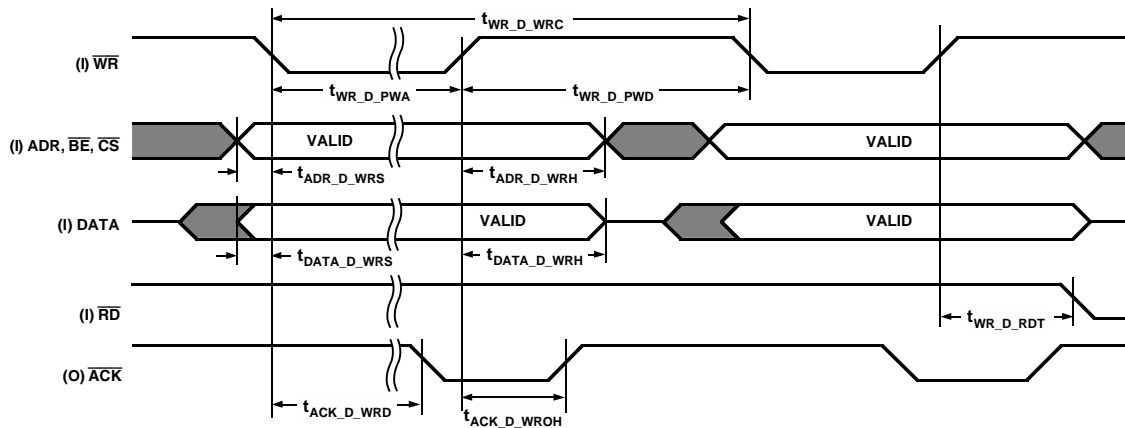


Figure 38. Host (Indirect Address, Indirect Register Data, and Interrupt Mask/Status) Write Transfer Timing

Host Interface (Compressed Data) Register Timing

The diagrams in this section show transfer timing for host read and write transfers to the ADV601's Compressed Data register. Accesses to the Compressed Data register are faster than access timing for the Indirect Address, Indirect Register Data, and Interrupt Mask/Status registers. For information on access timing for the other registers, see the Host Interface (Indirect Address, Indirect Register Data, and Interrupt Mask/Status) Register Timing section. Also note that as long as your system observes the \overline{RD} or \overline{WR} signal assertion timing, your system does *NOT* have to wait for the ACK signal between new compressed data addresses.

Table XXXV. Host (Compressed Data) Read Timing Parameters

Parameter	Description	Min	Max	Unit
$t_{RD_CD_RDC}$	\overline{RD} Signal, Compressed Data Direct Register, Read Cycle Time	28	N/A	ns
$t_{RD_CD_PWA}$	\overline{RD} Signal, Compressed Data Direct Register, Pulse Width Asserted	10	N/A	ns
$t_{RD_CD_PWD}$	\overline{RD} Signal, Compressed Data Direct Register, Pulse Width Deasserted	10	N/A	ns
$t_{ADR_CD_RDS}$	ADR Bus, Compressed Data Direct Register, Read Setup	2	N/A	ns
$t_{ADR_CD_RDH}$	ADR Bus, Compressed Data Direct Register, Read Hold (at 27 MHz VCLK)	2	N/A	ns
$t_{DATA_CD_RDD}$	DATA Bus, Compressed Data Direct Register, Read Delay	N/A	10	ns
$t_{DATA_CD_RDOH}$	DATA Bus, Compressed Data Direct Register, Read Output Hold	18	N/A	ns
$t_{ACK_CD_RDD}$	\overline{ACK} Signal, Compressed Data Direct Register, Read Delay	N/A	18	ns
$t_{ACK_CD_RDOH}$	\overline{ACK} Signal, Compressed Data Direct Register, Read Output Hold	9	N/A	ns

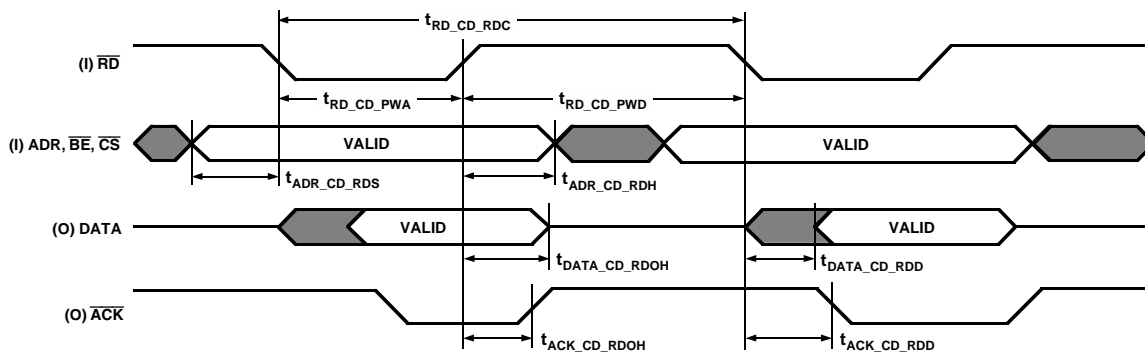


Figure 39. Host (Compressed Data) Read Transfer Timing

Table XXXVI. Host (Compressed Data) Write Timing Parameters

Parameter	Description	Min	Max	Unit
$t_{WR_CD_WRC}$	\overline{WR} Signal, Compressed Data Direct Register, Write Cycle time	28	N/A	ns
$t_{WR_CD_PWA}$	\overline{WR} Signal, Compressed Data Direct Register, Pulse Width Asserted	10	N/A	ns
$t_{WR_CD_PWD}$	\overline{WR} Signal, Compressed Data Direct Register, Pulse Width Deasserted	10	N/A	ns
$t_{ADR_CD_WRS}$	ADR Bus, Compressed Data Direct Register, Write Setup	2	N/A	ns
$t_{ADR_CD_WRH}$	ADR Bus, Compressed Data Direct Register, Write Hold	2	N/A	ns
$t_{DATA_CD_WRS}$	DATA Bus, Compressed Data Direct Register, Write Setup	2	N/A	ns
$t_{DATA_CD_WRH}$	DATA Bus, Compressed Data Direct Register, Write Hold	2	N/A	ns
$t_{ACK_CD_WRD}$	\overline{ACK} Signal, Compressed Data Direct Register, Write Delay	N/A	19	ns
$t_{ACK_CD_WROH}$	\overline{ACK} Signal, Compressed Data Direct Register, Write Output Hold	9	N/A	ns

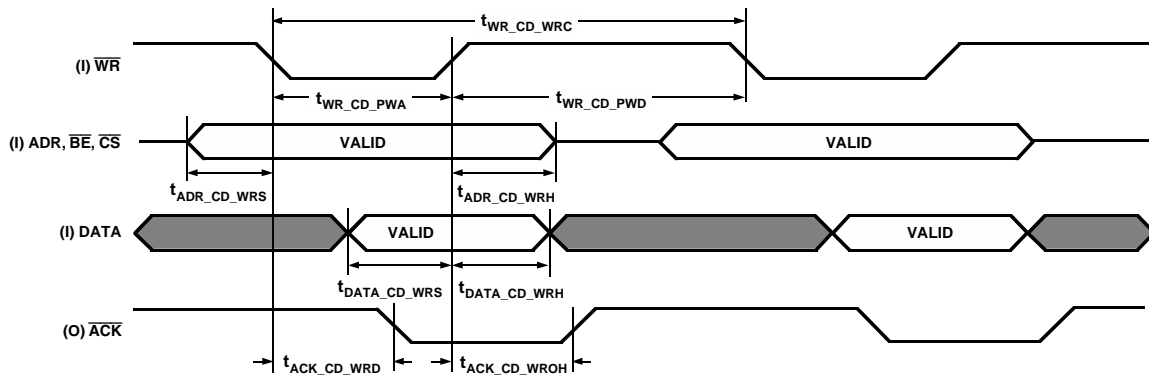


Figure 40. Host (Compressed Data) Write Transfer Timing

DSP Interface Timing

The diagram in this section shows transfer timing for one set of video statistics and calculated bin widths as they pass through the ADV601's DSP interface. Whenever an ADV601's serial port is inactive, the codec's TXD pin is three-stated and the codec ignores the state of the RXD pin. Figure 41 illustrates the ADV601 serial interface's signal, sample and frame relationships for the transmit and receive modes.

Table XXXVII. DSP Read and Write Transfer Timing Parameters

Parameter	Description	Min	Max	Unit
$t_{TCLK_DIRQ_D}$	\overline{DIRQ} Signal, Transfer-Receive Cycle Start, Delay	N/A	4	ns
$t_{TCLK_DIRQ_OH}$	\overline{DIRQ} Signal, Transfer-Receive Cycle End, Output Hold	3	N/A	ns
$t_{VCLK_TCLK_D}$	\overline{TCLK} Signal, Referenced to VCLK, Delay	N/A	11	ns
$t_{TCLK_TF_D}$	TF Signal, Transfer Frame Reference to TCLK, Delay	N/A	3	ns
$t_{TCLK_TF_OH}$	TF Signal, Transfer Frame Reference to TCLK, Output Hold	2	N/A	ns
$t_{TCLK_TXD_D}$	TXD Sample, Transfer Data, Delay (at 27 MHz VCLK)	N/A	24.2 ¹	ns
$t_{TCLK_TXD_OH}$	TXD Sample, Transfer Data, Output Hold	2	N/A	ns
$t_{TCLK_RF_S}$	RF Signal, Receive Frame Referenced to TCLK, Setup	2	N/A	ns
$t_{TCLK_RF_H}$	RF Signal, Receive Frame Referenced to TCLK, Hold	105	N/A	ns
$t_{TCLK_RXD_S}$	RXD Sample, Receive Data, Setup	2	N/A	ns
$t_{TCLK_RXD_H}$	RXD Sample, Receive Data, Hold (at 27 MHz VCLK)	16.8 ²	N/A	ns

NOTES

¹Maximum $t_{TCLK_TXD_D}$ varies with VCLK according to the formula: $t_{TCLK_TXD_D (MAX)} = 0.5 (VCLK \text{ Period}) + 4.7$.

²Minimum $t_{TCLK_RXD_H}$ varies with VCLK according to the formula: $t_{TCLK_RXD_H (MIN)} = 1.5 (VCLK \text{ Period}) - 36$.

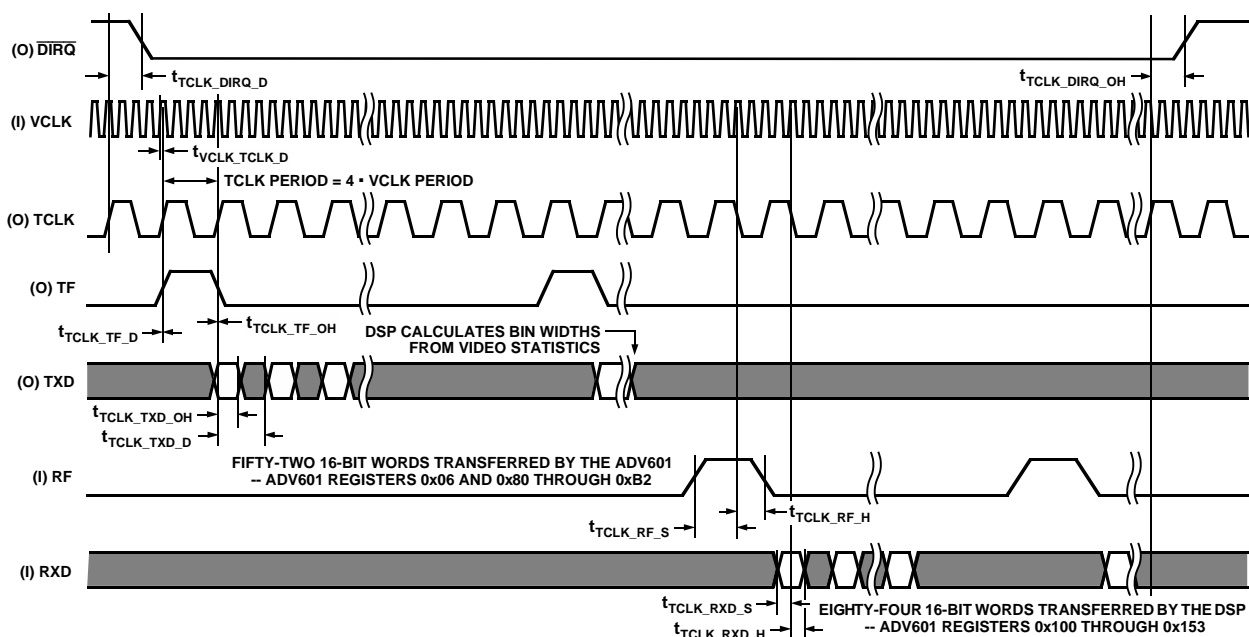


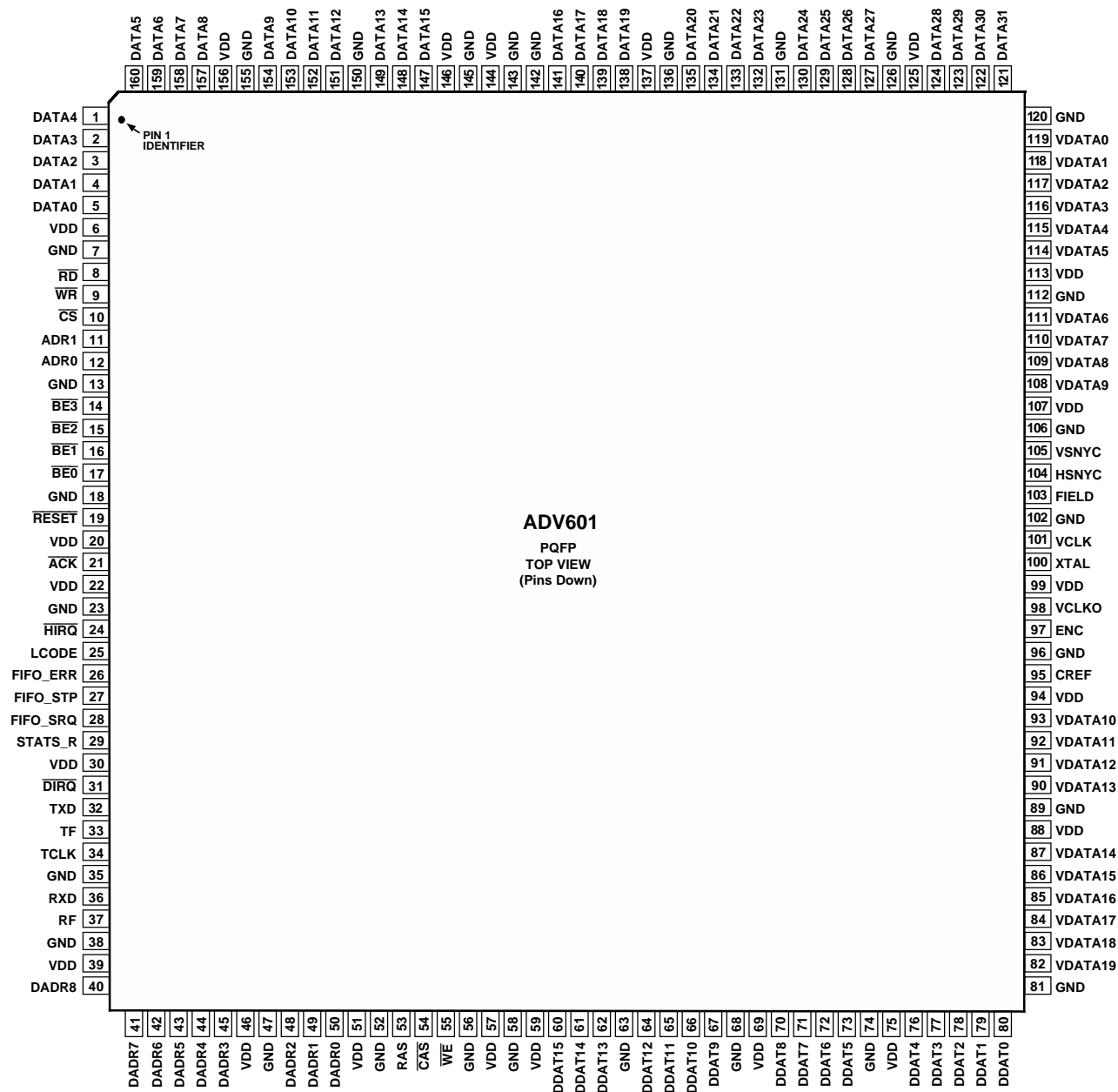
Figure 41. DSP Read and Write Transfer Timing

ADV601

PINOUTS

Pin	Pin Name	Pin Type	Pin	Pin Name	Pin Type	Pin	Pin Name	Pin Type
1	DATA4	I/O	56	GND	GROUND	111	VDATA6	I/O
2	DATA3	I/O	57	VDD	POWER	112	GND	GROUND
3	DATA2	I/O	58	GND	GROUND	113	VDD	POWER
4	DATA1	I/O	59	VDD	POWER	114	VDATA5	I/O
5	DATA0	I/O	60	DDAT15	I/O	115	VDATA4	I/O
6	VDD	POWER	61	DDAT14	I/O	116	VDATA3	I/O
7	GND	GROUND	62	DDAT13	I/O	117	VDATA2	I/O
8	\overline{RD}	I	63	GND	GROUND	118	VDATA1	I/O
9	\overline{WR}	I	64	DDAT12	I/O	119	VDATA0	I/O
10	CS	I	65	DDAT11	I/O	120	GND	GROUND
11	ADR1	I	66	DDAT10	I/O	121	DATA31	I/O
12	ADR0	I	67	DDAT9	I/O	122	DATA30	I/O
13	GND	GROUND	68	GND	GROUND	123	DATA29	I/O
14	$\overline{BE3}$	I	69	VDD	POWER	124	DATA28	I/O
15	$\overline{BE2}$	I	70	DDAT8	I/O	125	VDD	POWER
16	$\overline{BE1}$	I	71	DDAT7	I/O	126	GND	GROUND
17	$\overline{BE0}$	I	72	DDAT6	I/O	127	DATA27	I/O
18	GND	GROUND	73	DDAT5	I/O	128	DATA26	I/O
19	\overline{RESET}	I	74	GND	GROUND	129	DATA25	I/O
20	VDD	POWER	75	VDD	POWER	130	DATA24	I/O
21	\overline{ACK}	O	76	DDAT4	I/O	131	GND	GROUND
22	VDD	POWER	77	DDAT3	I/O	132	DATA23	I/O
23	GND	GROUND	78	DDAT2	I/O	133	DATA22	I/O
24	\overline{HIRQ}	O	79	DDAT1	I/O	134	DATA21	I/O
25	LCODE	O	80	DDAT0	I/O	135	DATA20	I/O
26	FIFO_ERR	O	81	GND	GROUND	136	GND	GROUND
27	FIFO_STP	O	82	VDATA19	I/O	137	VDD	POWER
28	FIFO_SRQ	O	83	VDATA18	I/O	138	DATA19	I/O
29	STATS_R	O	84	VDATA17	I/O	139	DATA18	I/O
30	VDD	POWER	85	VDATA16	I/O	140	DATA17	I/O
31	\overline{DIRQ}	O	86	VDATA15	I/O	141	DATA16	I/O
32	TXD	O	87	VDATA14	I/O	142	GND	GROUND
33	TF	O	88	VDD	POWER	143	GND	GROUND
34	TCLK	O	89	GND	GROUND	144	VDD	POWER
35	GND	GROUND	90	VDATA13	I/O	145	GND	GROUND
36	RXD	I	91	VDATA12	I/O	146	VDD	POWER
37	RF	I	92	VDATA11	I/O	147	DATA15	I/O
38	GND	GROUND	93	VDATA10	I/O	148	DATA14	I/O
39	VDD	POWER	94	VDD	POWER	149	DATA13	I/O
40	DADR8	O	95	CREF	I/O	150	GND	GROUND
41	DADR7	O	96	GND	GROUND	151	DATA12	I/O
42	DADR6	O	97	ENC	O	152	DATA11	I/O
43	DADR5	O	98	VCLKO	O	153	DATA10	I/O
44	DADR4	O	99	VDD	POWER	154	DATA9	I/O
45	DADR3	O	100	XTAL	I	155	GND	GROUND
46	VDD	POWER	101	VCLK	I	156	VDD	POWER
47	GND	GROUND	102	GND	GROUND	157	DATA8	I/O
48	DADR2	O	103	FIELD	I OR O	158	DATA7	I/O
49	DADR1	O	104	HSYNC	I OR O	159	DATA6	I/O
50	DADR0	O	105	VSNC	I OR O	160	DATA5	I/O
51	VDD	POWER	106	GND	GROUND			
52	GND	GROUND	107	VDD	POWER			
53	\overline{RAS}	O	108	VDATA9	I/O			
54	\overline{CAS}	O	109	VDATA8	I/O			
55	\overline{WE}	O	110	VDATA7	I/O			

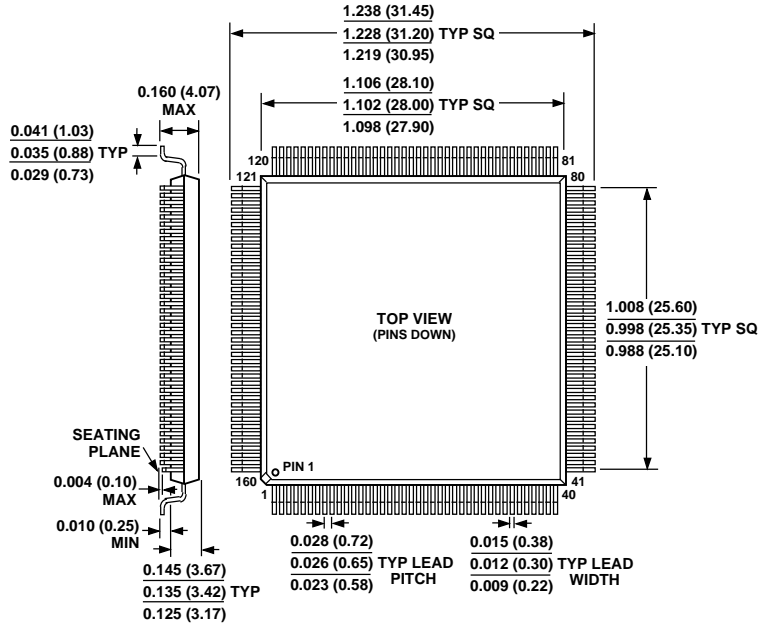
PIN CONFIGURATION



OUTLINE DIMENSIONS

Dimensions shown in inches and (mm).

160-Lead PQFP (S-160)



ORDERING GUIDE

Part Number	Ambient Temperature Range ¹	Package Description	Package Option ²
ADV601JS	0°C to +70°C	160-Lead PQFP	S-160

NOTES

¹J = Commercial temperature range (0°C to +70°C).

²S = PQFP (Plastic Quad Flatpack).