



LAYOUT SHOWN AS EXAMPLE

Keying Shown as example

CHARACTERISTICS

- Standard : Based on MIL-DTL-38999 Series III
- Shell Material : Aluminium
- Shell Plating : Black Zinc Nickel
- Insulator : Thermoplastic
- Contacts : Copper Alloy
- Seals & Grommet : Silicon Elastomer
- Contact Plating : Gold over copper Alloy 0.8µm minimum
- Durability : 500 Mating cycles
- Delivered with Souriau contacts and Accessories
- Temperature Range : -65°C to +175°C
- Salt Spray : 500 hours
- Mass : 19.49 g ± 10%

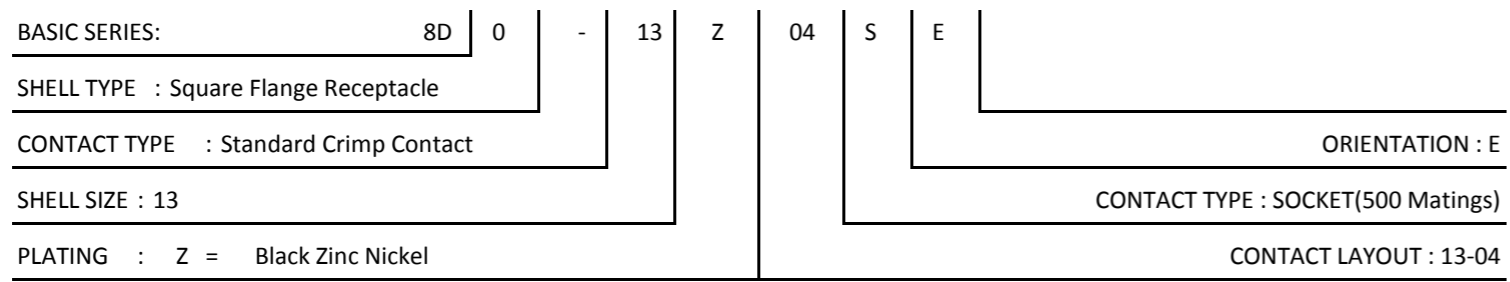
Connector dimension	
Dim	Nominal
P	3.25±0.2
PP	4.93±0.2
R1	23.01
R2	20.62
S	28.6±0.3
V	20.83+0/-1.25
W	2.1/2.5
Z	31.5 Max
VV THREAD	M18x1-6g

SOURIAU shall not be liable for any non-conformity or damage due to a use of the Products which does not comply with the Specifications issued by either of the Parties or by a third party (professional recommendation, technical notice.)

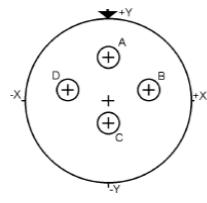
Country	Jurisdiction & Control List
FR	Not Listed

PN: 8D013Z04SE

A	16-10-2016	First Release	
ISS	DATE	Latest modification - by	MOD N°
Designed By:		Date:	CUSTOMER DRAWING
TITLE		Aluminium Receptacle 8D series	
SCALE	NA	General linear Tolerances: ±--	NPRDS / PROJECT 859
SOURIAU		WWW.SOURIAU.COM	
This document is the property of SOURIAU it must not be reproduced or communicated without permission			
FORMAT	SOURIAU DRG N° 8D013Z04SE-C		SHEET 1/2



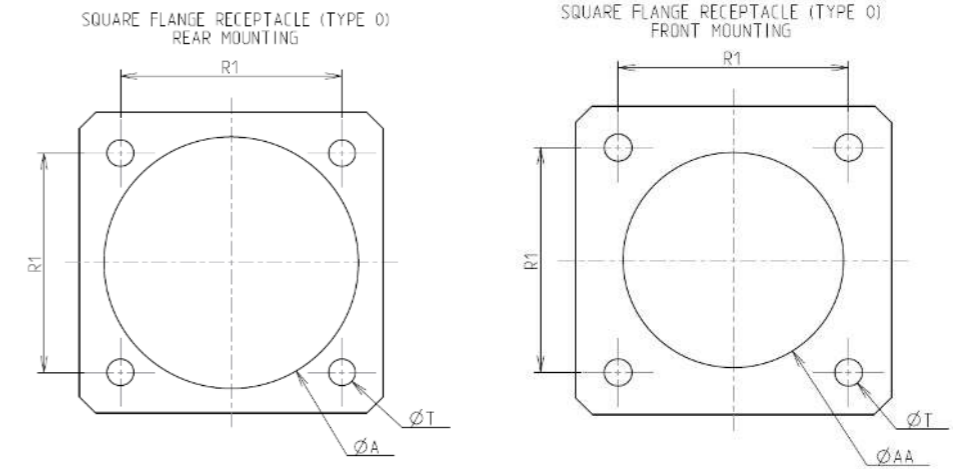
Contact Layout



Contacts (Insert arrangement 13-4)		
Contact position ID	Location	
	X-axis (mm)	Y-axis (mm)
A	+000 (0.00)	+150 (3.81)
B	+146 (3.71)	+035 (0.89)
C	+000 (0.00)	-083 (2.11)
D	-146 (3.71)	+035 (0.89)

Shell size	Arrangement no.	Number of contacts	Size contacts	Service rating	Contact location	Supersedes
13	-4	4	16	I	All	MS20051-4

Panel Cutout



Dim	Nominal
ØA	23.42 min
ØAA	19.05 min
R1	23.01
ØT	3.25 ±0.13

SOURIAU shall not be liable for any non-conformity or damage due to a use of the Products which does not comply with the Specifications issued by either of the Parties or by a third party (professional recommendation, technical notice.)

Country	Jurisdiction & Control List
FR	Not Listed

PN: 8D013Z04SE

A	16-10-2016	First Release	
ISS	DATE	Latest modification - by	MOD N°
Designed By:		Date:	CUSTOMER DRAWING
TITLE	Aluminium Receptacle 8D series		
SCALE		General linear Tolerances:	NPRDS / PROJECT
NA		±--	859
SOURIAU	WWW.SOURIAU.COM		This document is the property of SOURIAU it must not be reproduced or communicated without permission
FORMAT	SOURIAU DRG N° 8D013Z04SE-C		SHEET 2/2