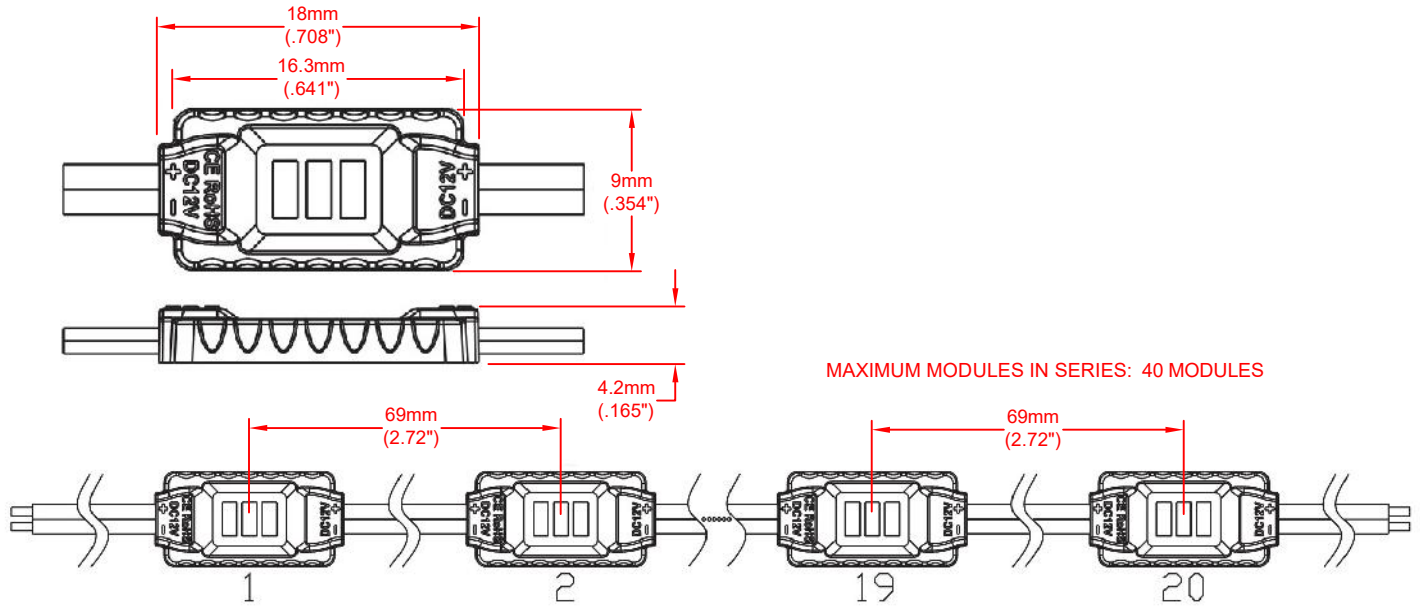


LOW PROFILE 3-LED MINI MODULE

FEATURES

- VOLTAGE: 12V DC
- CURRENT: 30mA PER MODULE
- WATTAGE: .36W PER MODULE
- LED VIEWING ANGLE : 120°
- WATER RESISTANCE: IP67
- PACKAGE: 20 PIECES PER STRAND
- MOUNTING: ADHESIVE BACKING



MAXIMUM MODULES IN SERIES: 40 MODULES

24 AWG WIRE

Absolute Maximum Rating at TA = 25°C

Parameter	Symbol	Absolute Maximum Rating	Unit
Forward Current	IF	30	mA
Power Dissipation	PD	0.36	W
Electrostatic Discharge	ESD	600	V
Operating Temperature	Topr	-25~+50	°C
Storage Temperature	Tstg	-25~+70	°C

Electrical/Optical Characteristics at TA = 25°C

Parameter	Typical	Unit
Forward Voltage DC	12	VF
Color Temperature	10,000	K
Luminous Flux Per Module	33	lm
Recommend Forward Current	30	mA



OBSERVE PRECAUTION FOR HANDLING ELECTROSTATIC DISCHARGE SENSITIVE DEVICES

JKL PART NO.: ZM-189-CW

<p>THIRD ANGLE PROJECTION</p>	<p>METRIC</p> <p>DIMENSIONS ARE IN mm & (INCHES)</p> <p>TOLERANCE UNLESS OTHERWISE SPECIFIED</p> <p>1 PL +/- REF.</p> <p>2 PL +/- ANGLE +/-</p>	<p>JKL COMPONENTS CORPORATION</p>			
	<p>TITLE</p> <p>LOW PROFILE 3-LED MINI CHANNEL, COOL WHITE</p>				
<p>DRAWN BY</p> <p>L. WENGSTROM</p>	<p>APPV'D BY DATE</p> <p>S.C. 7/30/18</p>	<p>SIZE</p> <p>A</p>	<p>FSCM NO.</p> <p>55335</p>	<p>DRAWING NO.</p> <p>ZM-189-CW</p>	
<p>SCALE</p> <p>NONE</p>		<p>RELEASED DATE</p> <p>7/28/18</p>	<p>REVISION DATE</p>	<p>REV. NO.</p>	<p>SHEET</p> <p>1 OF 1</p>

REV. NO.	DESCRIPTION/ECO NUMBER	APPV'D DATE
RELEASE		7/28/18

- CAD DRAWING -
MANUAL REVISIONS NOT PERMITTED