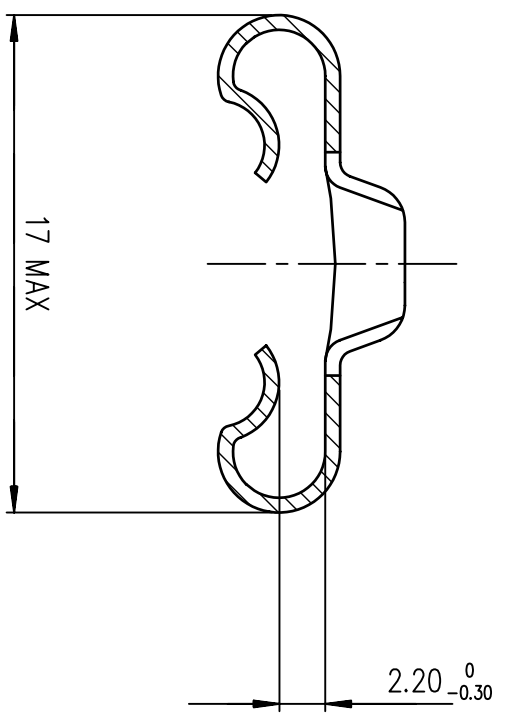
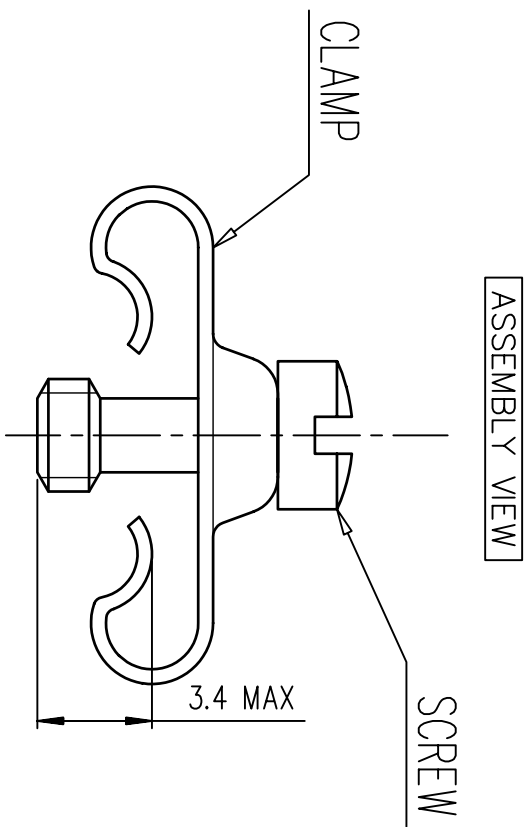
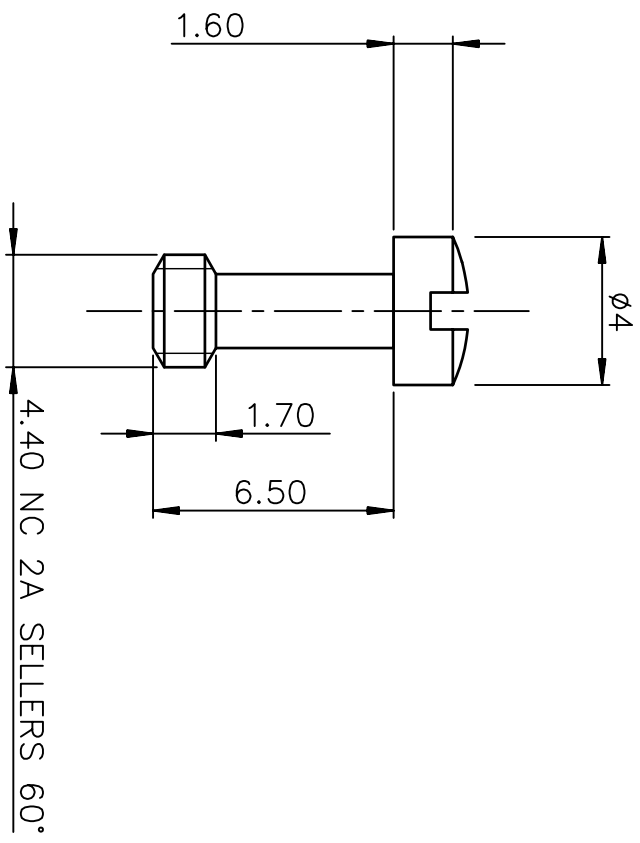


NOTES
 Pieces assembly
 Packaging : per 100 piece
 Material : steel
 Plating : yellow chromate cadmium
 Thread : UNC 4.40



rev	ecn no	dr	date
A	-	SJO	1998/03/27
B	LS06-0101	MPE	2006/06/27
C	LS07-0001	MPE	2007/01/02
D	LS09-0006	PCR	2009/01/08
E	I11-0022	AMR	2011/01/25
F	ELX-H-01663	PK	2012/05/09
G	ELX-H-01663	PK	2012/05/09

Part Number
863002A

www.fciconnect.com		surface ISO 1302	tolerance std ISO 406 ISO 1101	projection	mm
Dr	JOUBERT	1998/03/27	ANGULAR	size	A3
Eng	M.PESSON	1998/03/27	LINEAR	Scale	5
Chr	ABHILASH	2011/01/25	0.xx ± 2	ECN	ELX-H-011686
Appr	SUDHIR	2011/01/25	Product family	D-SUB	Spec ref -
FCI logo		MALE SCREW LOCK		D-SUB	
catalog no		SHELL 50 D SUB ACCESSORIES		CUSTOMER	
-		-		sheet 1 of 1	
-		-		Rev. G	