



# L20

## LED Commercial Down Light



### L20

Beyond LED's L20 Commercial-Grade retrofit downlights are the most innovative and feature rich product of its kind. This new 2020 model offers CCT Adjustable options of 3000K, 4000K & 5000K. The LED Commercial Down Light L20 produces lumens up to 4000, which is perfect for ceilings up to 16ft high. These commercial down lights are equipped with a high quality external Lifud driver for optimum performance. L20 converts nearly any existing incandescent, HID or CFL fixture to an energy efficient LED.

- Up to 100 lumens per watt
- CCT Adjustable 3000K, 4000K, & 5000K by the click of a button
- 0-10V Dimming capability
- Below-ceiling driver access for future upgrades
- Integral heat sink conducts heat away from LED light engine
- Tested in accordance with IESNA LM79 & LM80
- Universal 100-277Vac

# L20

## LED Commercial Down Light

### L20 (Adjustable CCT)

SKU #	Model #	Watts	Lumens	CCT	Fits	Input Voltage	Certifications
151381	BLT-DL01-27DS144-S470W-03A	27W	Up to 2700Lm	3K/4K/5K	6"	100-277Vac	UL & ES
151382	BLT-DL01-40DS192-S471W-03A	40W	Up to 4000Lm	3K/4K/5K	8"	100-277Vac	UL & ES

### Specifications

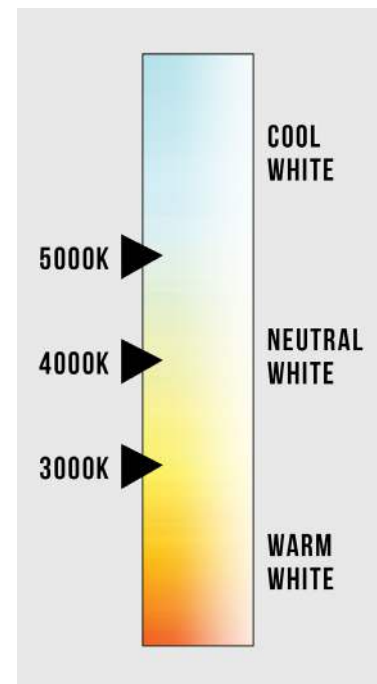
- 3000K/4000K/5000K CCT Adjustable
- Dimmable to 5% with most Lutron and Leviton 0-10V dimmers
- Comfortable diffused light, no dark areas
- Quick connector, Pre-wired conduit for easy installation
- 80-85° beam angle (6"/8")
- Replaces traditional 6"/8" CFL, HID or Incandescent down lights
- 85+ Lm/W
- >0.9 Power Factor
- CRI80
- Damp location
- LiFud Power Supply
- UL, Energy Star & FCC



◀ ADJUSTABLE CCT ▶



### CORRELATED COLOR TEMPERATURE (CCT)



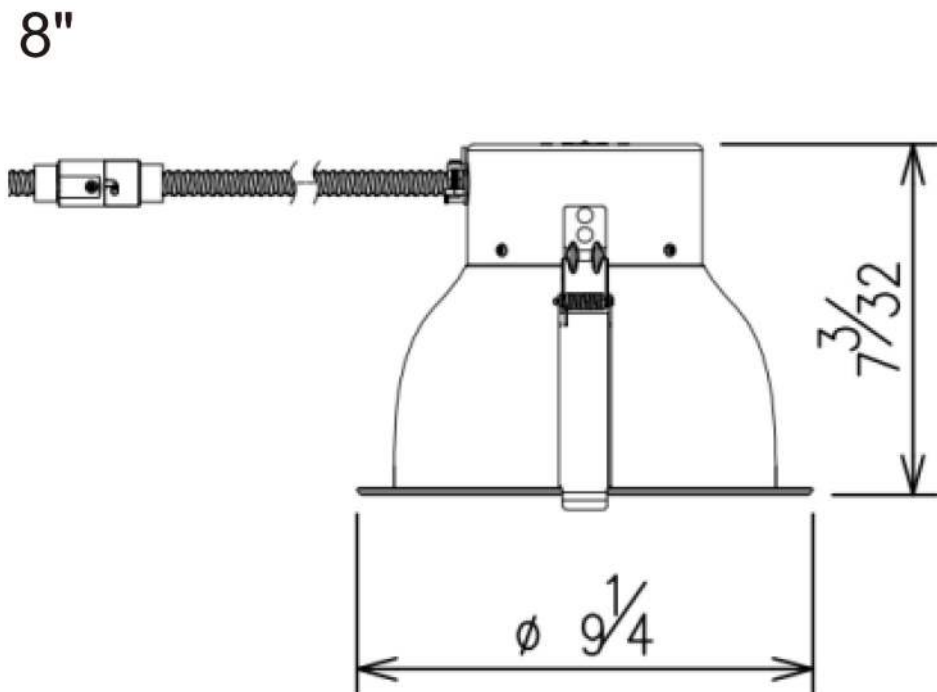
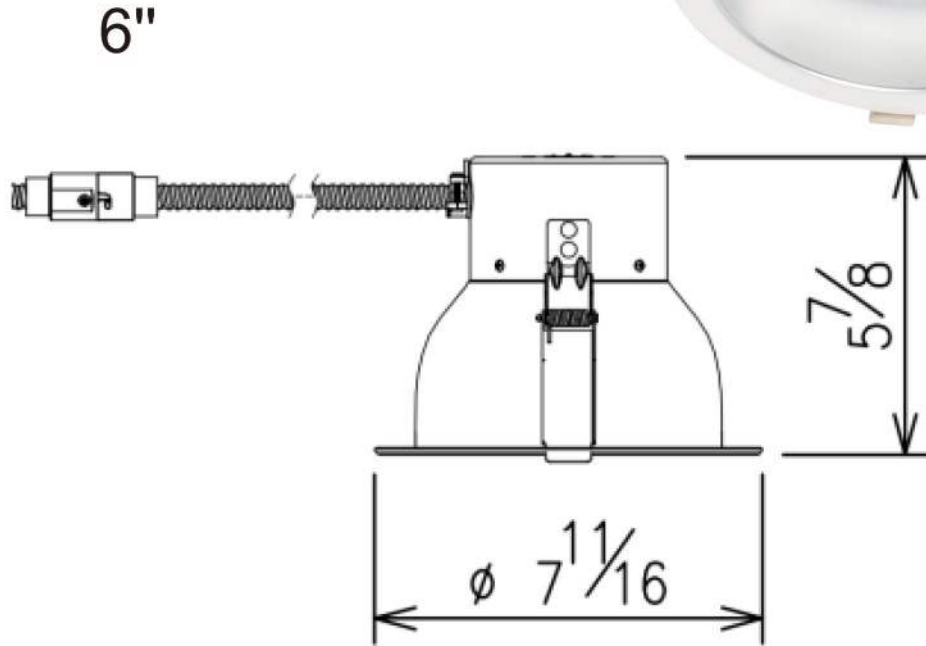
(866) 786-1117 • [www.BeyondLEDTechnology.com](http://www.BeyondLEDTechnology.com)

Due to continuous product improvement, information in this document is subject to change.

# L20

## LED Commercial Down Light

### Dimensions



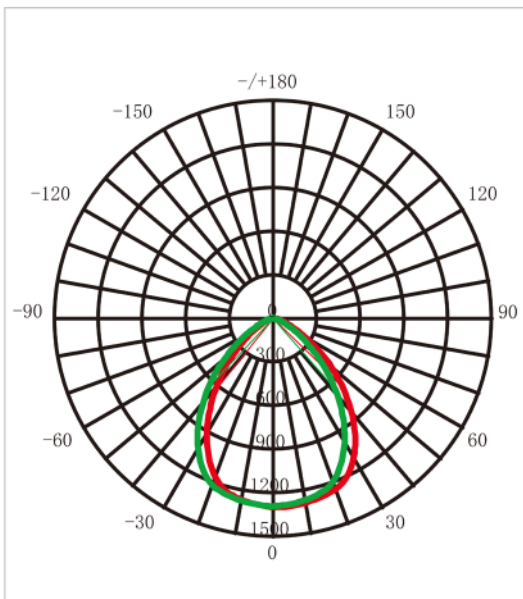
# L20

## LED Commercial Down Light

### Distribution Diagram

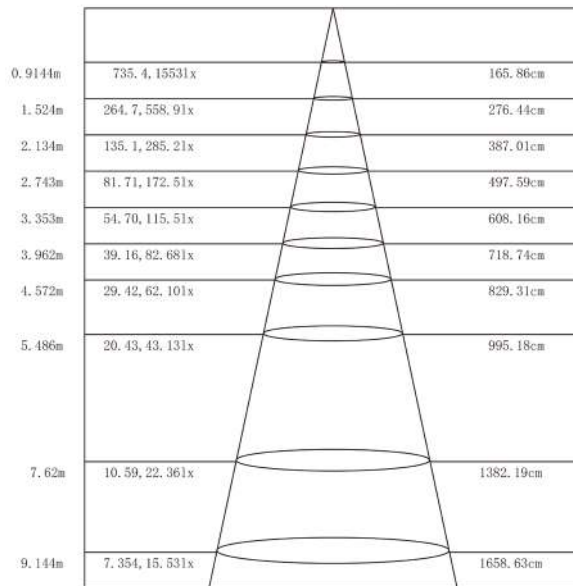
Luminous intensity

6 inch 27W

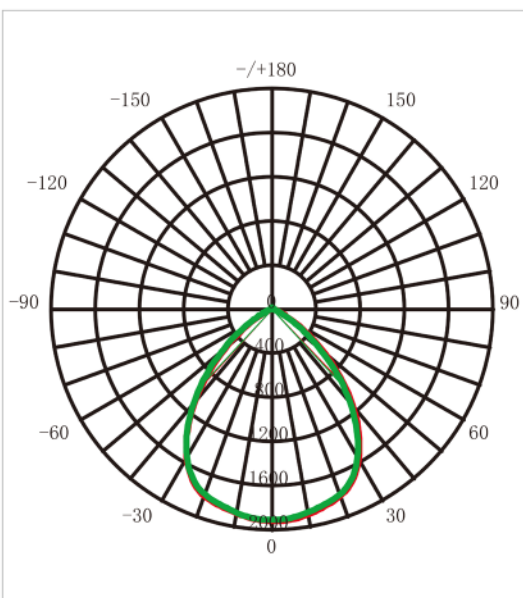


Average illuminance curve

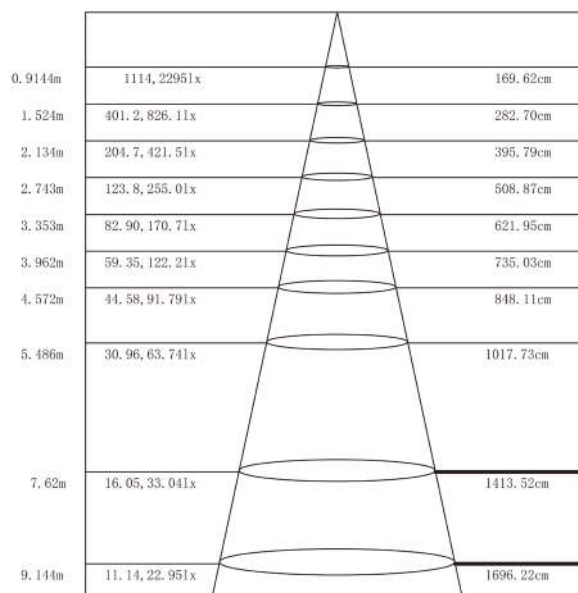
6 inch 27W



8 inch 40W



8 inch 40W

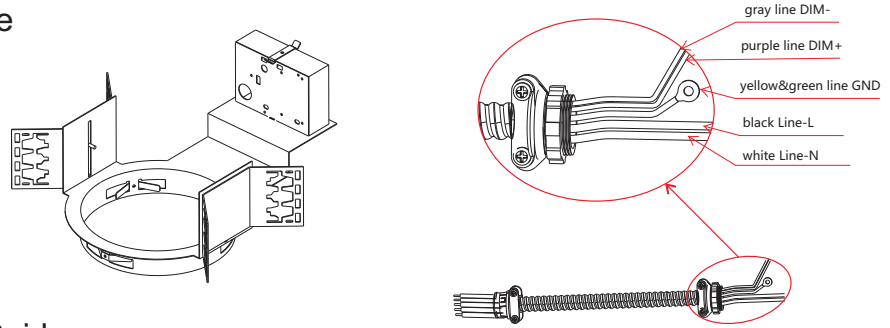


# L20

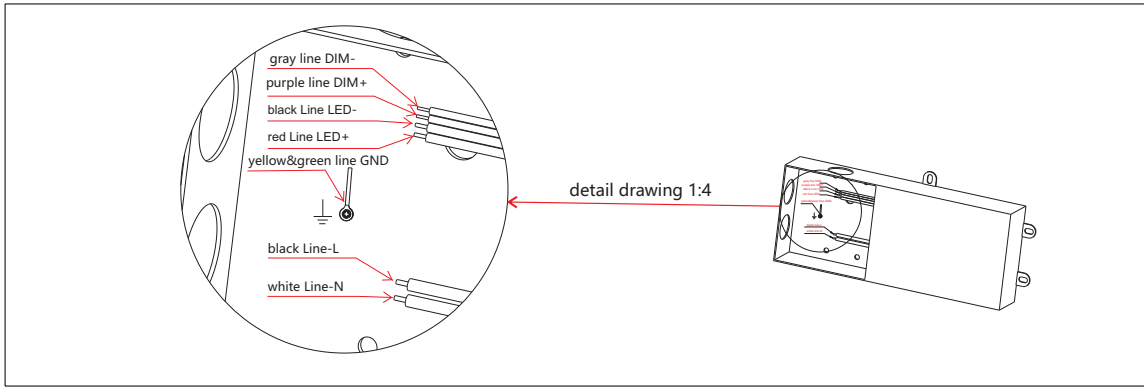
## LED Commercial Down Light

### Wiring & Installation

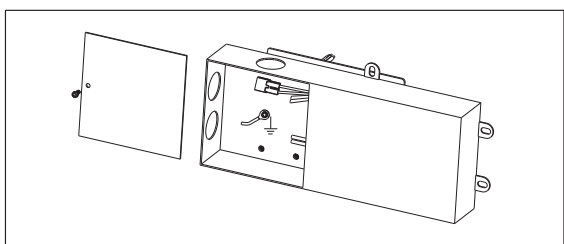
#### Housing Type



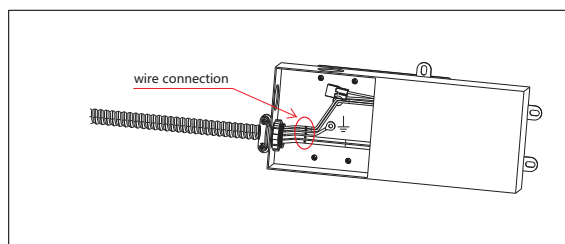
#### Installation Guide



1. Driver wire connection way.



2. Open the driver cover.



3. Input L/N wires pipe to connect with the input counterparts of the driver properly.

**WARNING** - Risk of fire or electric shock. LED Retrofit Kit installation requires knowledge of luminaire electrical systems. If not qualified, do not attempt installation. Contact a qualified electrician.

**WARNING** - Risk of fire or electric shock. Install this kit only in luminaires that have the construction features and dimensions shown in the photographs and/or drawings and where the input rating of the retrofit kit does not exceed the input rating of the luminaire.

Do not make or alter any open holes in an enclosure of wiring or electrical components during kit installation. **WARNING** - To prevent wiring damage or abrasion, do not expose wiring to edges of sheet metal or other sharp objects.

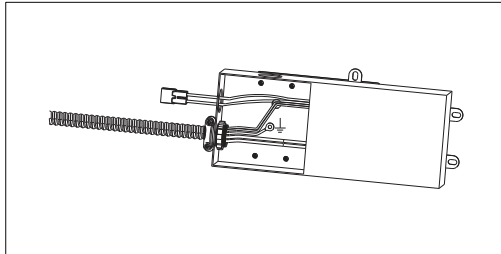
This luminaire has been modified to operate LED lamps. Do not attempt to install or operate fluorescent lamps in this luminaire.

LED Lamp Replacement Marking - Identifying the replacement LED lamp type/model to be used along with manufacturer and ordering information.

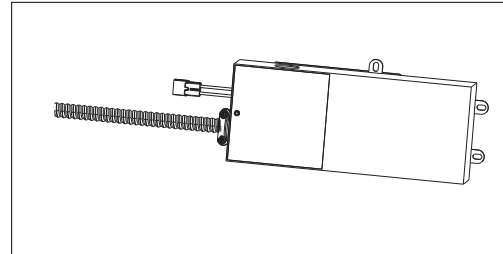
# L20

## LED Commercial Down Light

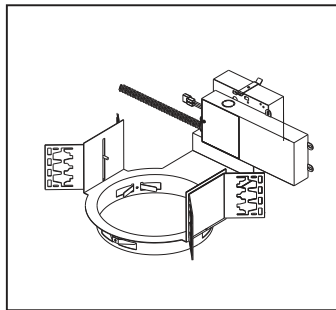
### Installation



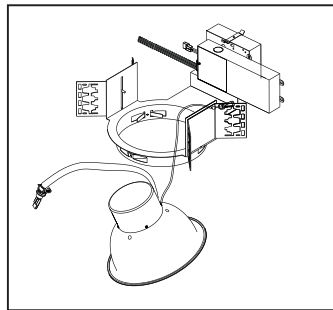
4. Take out the terminal blocks from the driver.



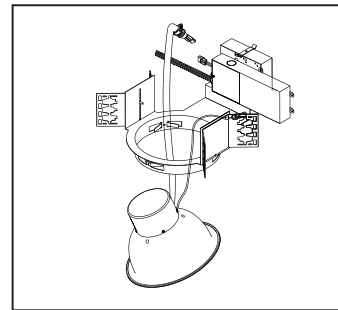
5. Fix the driver cover.



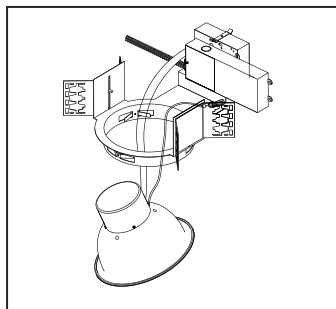
6. Fix the driver.



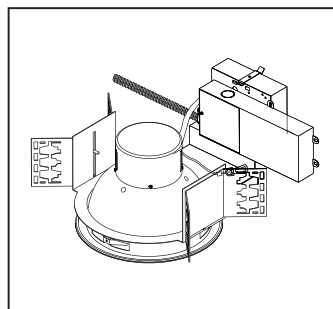
7. Attach safety cable to housing.



8. Connect the terminal blocks of the light with the driver terminal blocks.



9. Insert the light wire pipe properly.



10. Well fix the light with housing.

#### IMPORTANT SAFETY INFORMATION. READ AND FOLLOW ALL SAFETY INSTRUCTIONS.

Follow label information and instructions concerning dry or Damp locations, installation near combustible material, insulation, building materials and proper lamping.

WARNING-Risk of fire or electric shock, LED Retrofit Kit installation requires knowledge of luminaire electrical systems. If not qualified, do not attempt installation.

Contact a qualified electrician.

Installers should not disconnect existing wires from lampholder terminals to make new connections at lampholder terminals. Instead, installers should cut existing lampholder leads away from the lampholder and make new electrical connections to lampholder lead wires by employing applicable connectors.

WARNING-Risk of fire or electric shock, Install this kit only in luminaires that have the construction features and dimensions shown in the photographs and/or drawing and where the input rating of the retrofit kit does not exceed the input rating of the luminaire.

DO NOT NAKE OR ALTER ANY OPEN HOLES IN AN ENCLOSURE OF WIRING OR ELECTRICAL COMPONENTS DURING KIT INSTALLATION.

WARNING-To prevent wiring damage or abrasion, do not expose wiring to edges of sheet metal or other sharp objects.

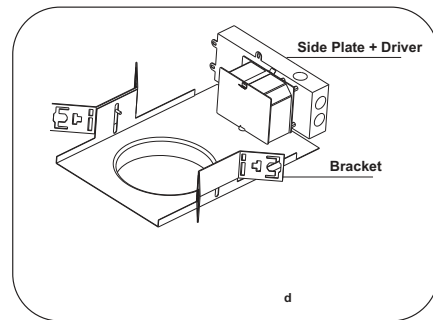
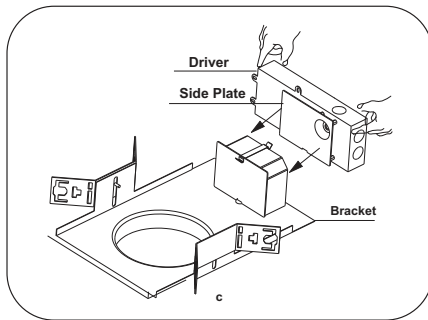
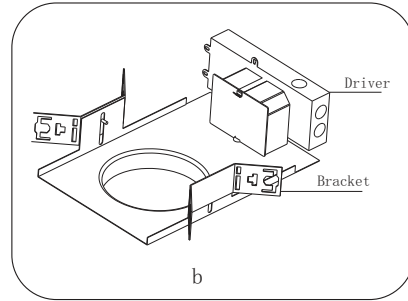
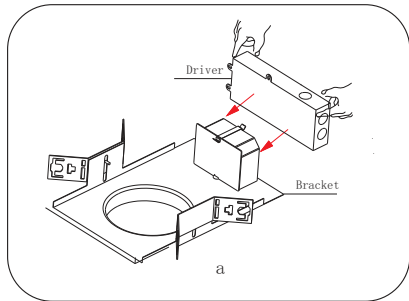
(866) 786-1117 • [www.BeyondLEDTechnology.com](http://www.BeyondLEDTechnology.com)

Due to continuous product improvement, information in this document is subject to change.

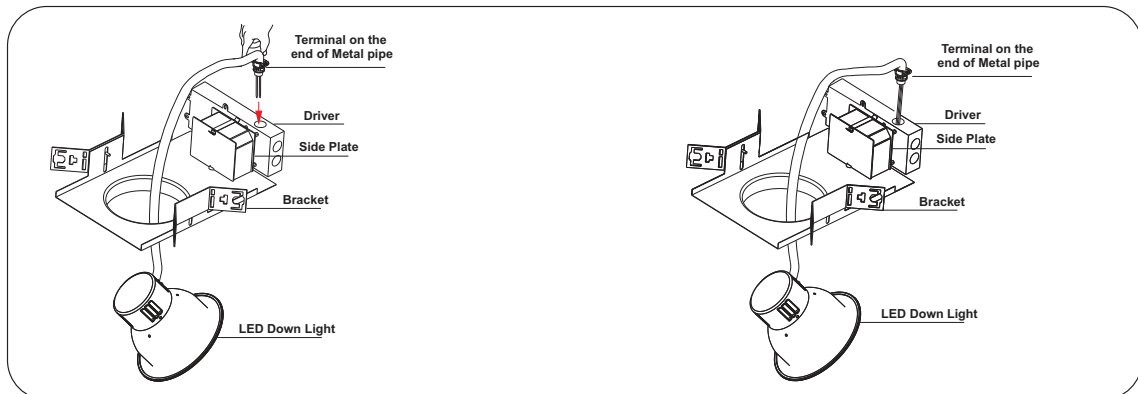
# L20

## LED Commercial Down Light

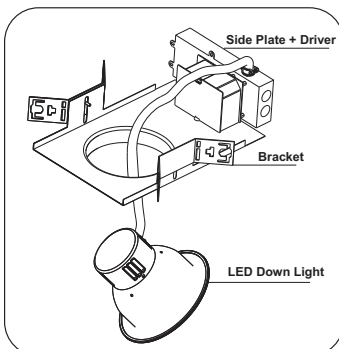
### Installation



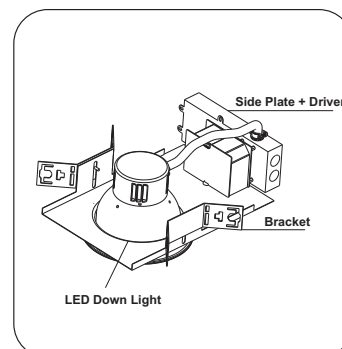
1. Install the driver onto the Bracket as shown in figure a & b. Or Install the side plate + Driver onto the Bracket as shown in figure c & d.



2. Connect the Terminal of the end of Metal pipe with the Terminal of Driver



3. Connect the metal pipe with the Driver Box



4. Push the LED Down light upward carefully and make sure the trim is firmly stuck by the mounting frame.



# L20

## LED Commercial Down Light

### Packing

SKU #	Model #	Pieces per Carton	Dimensions	Weight
151381	BLT-DL01-27DS144-S470W-03A	8	24.41" X 12.59" X 17.71"	24.69 Lbs.
151382	BLT-DL01-40DS192-S471W-03A	4	24.41" X 18.89" X 17.71"	27.34 Lbs.

### Application

