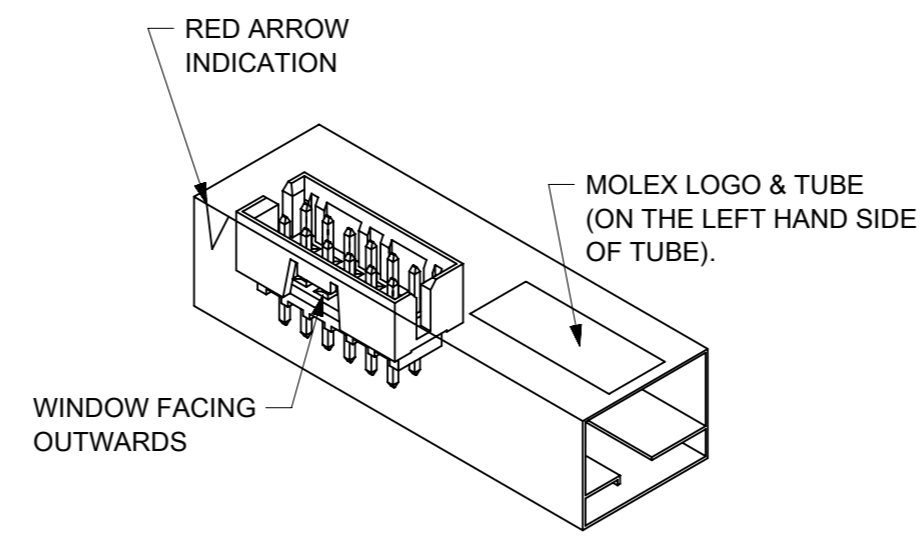
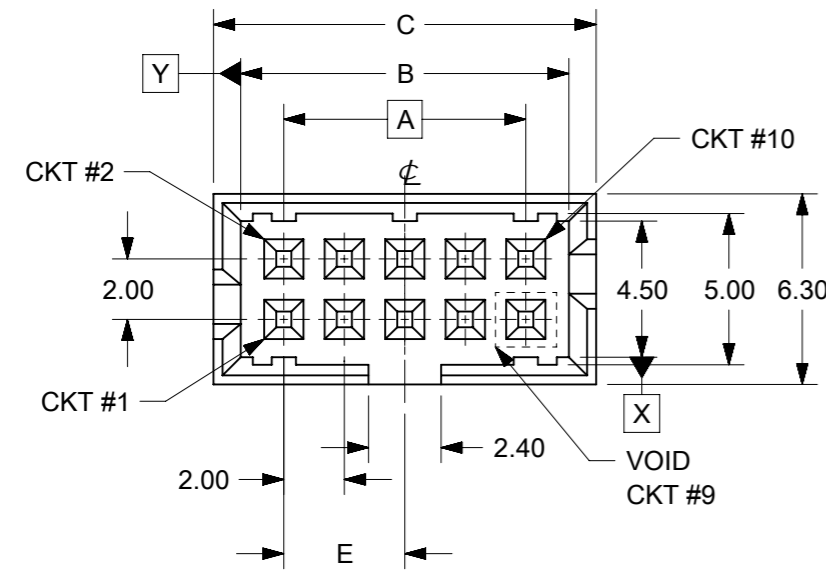


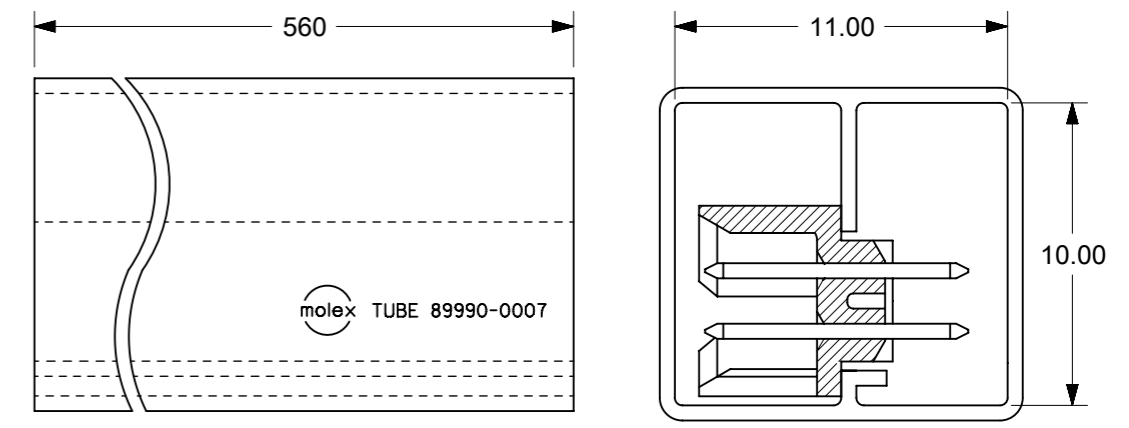
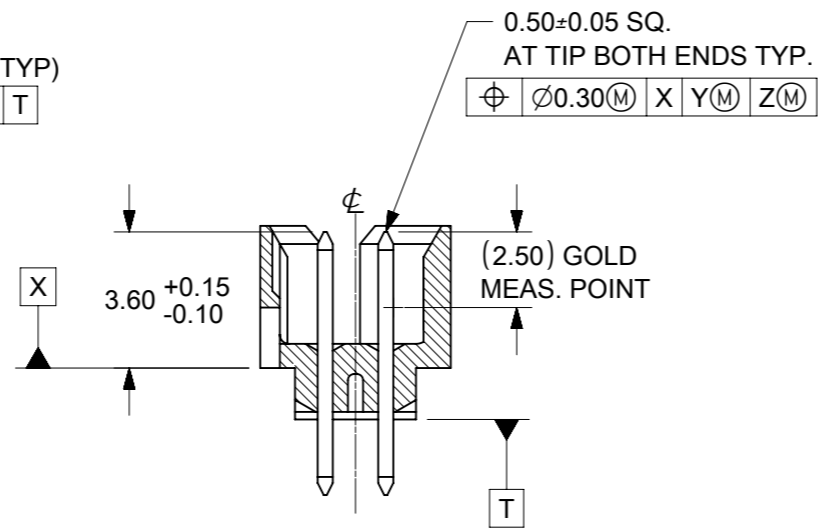
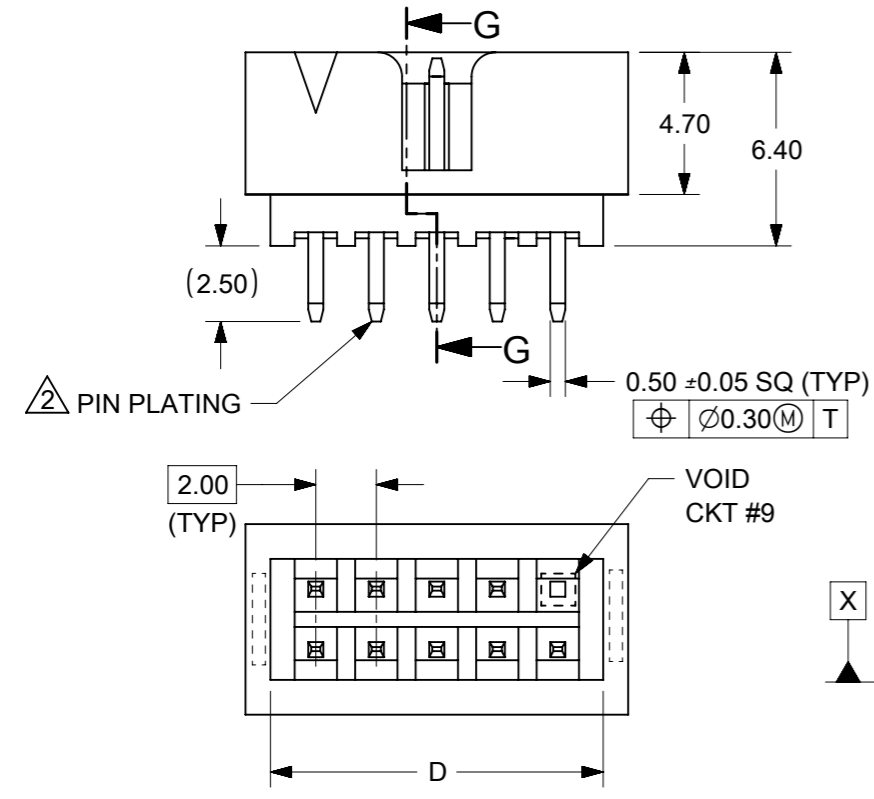
PART NO.	CKT SIZE	VOID CKT	DIMENSION				
			A	B	C	D	E
87831-7003	10	9	8.00	10.85	12.65	11.00	4.00

**NOTES:**

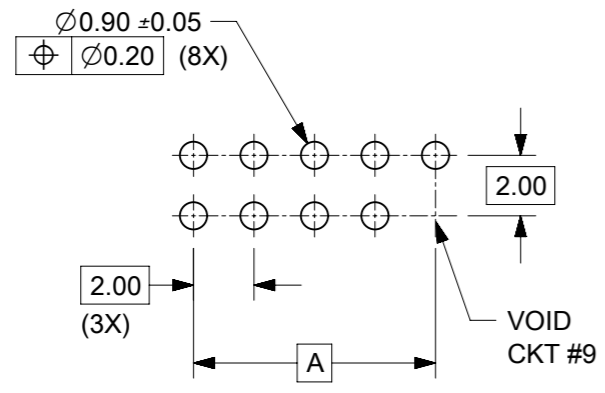
- MATERIAL:  
HOUSING : 30% GF,NYLON 46,UL 94V-0 COLOR BLACK  
PIN : PHOSPHOR BRONZE, SQ 0.50mm.
- PLATING:  
0.38µm/15µin GOLD IN CONTACT AREA, 1.88µm/75µin MIN TIN IN SOLDER TAIL AREA, OVER 1.27µm/50µin MIN NICKEL OVERALL.
- PRODUCT SPECIFICATION PS-87831-027 APPLIES.
- PARTS TO BE PACK IN TUBE WITH MOISTURE BARRIER BAG.
- PIN PUSHOUT FORCE : 0.91kg MIN IN EITHER DIRECTION.
- THIS HEADER MATES WITH MOLEX :  
a) CRIMP RECEPTACLE HOUSING, 51110 SERIES WITH CRIMP TERMINAL, 50394 SERIES  
b) 2mm MILLIGRID DUAL ROW IDT, 87568 SERIES.



**ORIENTATION OF PART IN TUBE.**  
(FOR THE REFERENCE OF PART / TUBE ASSEMBLY.)



**ORIENTATION OF PART IN TUBE.**



**RECOMMENDED PCB PATTERN**

THIS DRAWING CONTAINS INFORMATION THAT IS PROPRIETARY TO MOLEX ELECTRONIC TECHNOLOGIES, LLC AND SHOULD NOT BE USED WITHOUT WRITTEN PERMISSION												
QUALITY SYMBOLS	ADDED BTB DIST.	EC NO: 619055	DRWN: HK02	CHK'D: NMANE02	REV APPR: MRAMAKRISHNA	GENERAL TOLERANCES (UNLESS SPECIFIED)		DIMENSION UNITS	SCALE			
						MM	INCH	MM	NTS			
▽A = 0						4 PLACES ±	±	DRWN BY	DATE			
▽E = 0						3 PLACES ±	±	ATSEE	2004/08/26			
▽B = 0						2 PLACES ±	0.2	CHK'D BY	DATE			
▽ = 0						1 PLACES ±	±	SHONG	2004/11/22			
▽C = 0						0 PLACES ±	±	APPR BY	DATE			
▽ = 0						ANGULAR TOL = 3.0		SKTOH	2004/11/23			
▽ = 0						DRAFT WHERE APPLICABLE MUST REMAIN WITHIN DIMENSIONS		DRAWING SIZE	THIRD ANGLE PROJECTION			
▽ = 0								A3				
							SERIES		MATERIAL NUMBER		CUSTOMER	
							DOCUMENT NUMBER		DOC TYPE	DOC PART	SHEET NUMBER	
							SD-87831-046		PSD	001	1 OF 2	

# BOARD TO BOARD (BTB) DISTANCE

HEADER	MATES WITH (RECEPTACLE)	BTB DIST.	PICTORIAL VIEW
87831	79107	6.94	
	78787	6.94	
	79108	6.94	
	79109	7.15	
	78788	7.15	

SYMBOLS		THIS DRAWING CONTAINS INFORMATION THAT IS PROPRIETARY TO MOLEX ELECTRONIC TECHNOLOGIES, LLC AND SHOULD NOT BE USED WITHOUT WRITTEN PERMISSION		CURRENT REV DESC: ADDED BTB DIST.			
DIMENSION UNITS: mm INCH SCALE: NTS		GENERAL TOLERANCES (UNLESS SPECIFIED)		EC NO: 619055 DRWN: HK02 2019/05/15 CHK'D: NMANE02 2019/07/09 APPR: MRAMAKRISHNA 2019/07/09			
4 PLACES ± 3 PLACES ± 2 PLACES ± 0.2 1 PLACE ± 0 PLACES ±		MM INCH ± ± ± 0.2 ± ± ± ± ±		INITIAL REVISION: DRWN: DRWN BY APPR: APPR BY		PRODUCT CUSTOMER DRAWING DOCUMENT NUMBER: SD-87831-046 DOC TYPE: PSD DOC PART: 001 REVISION: A3	
ANGULAR TOL ± 3.0° DRAFT WHERE APPLICABLE MUST REMAIN WITHIN DIMENSIONS		THIRD ANGLE PROJECTION 		DRAWING: A3-SIZE SERIES: 87831		MATERIAL NUMBER: GENERAL MARKET CUSTOMER: GENERAL MARKET SHEET NUMBER: 2 OF 2	