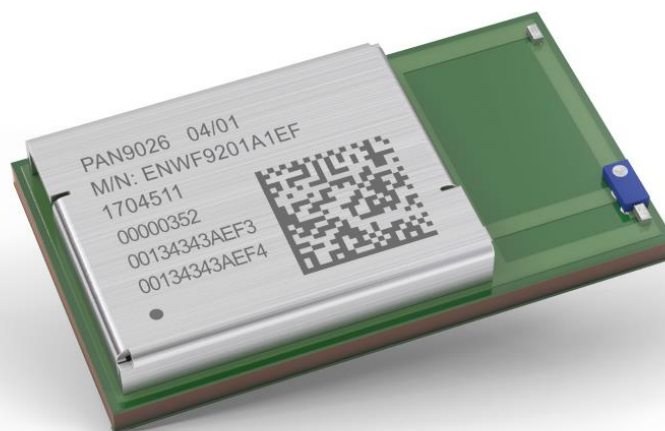


PAN9026

PAN9026 Wi-Fi Dual Band 2.4 GHz and 5 GHz and
Bluetooth Module

Product Specification

Rev. 1.2



Overview

The PAN9026 is a 2.4 GHz and 5 GHz ISM band Wi-Fi and Bluetooth radio module, which includes a wireless radio for easy integration of Wi-Fi and Bluetooth connectivity into various electronic devices.

Features

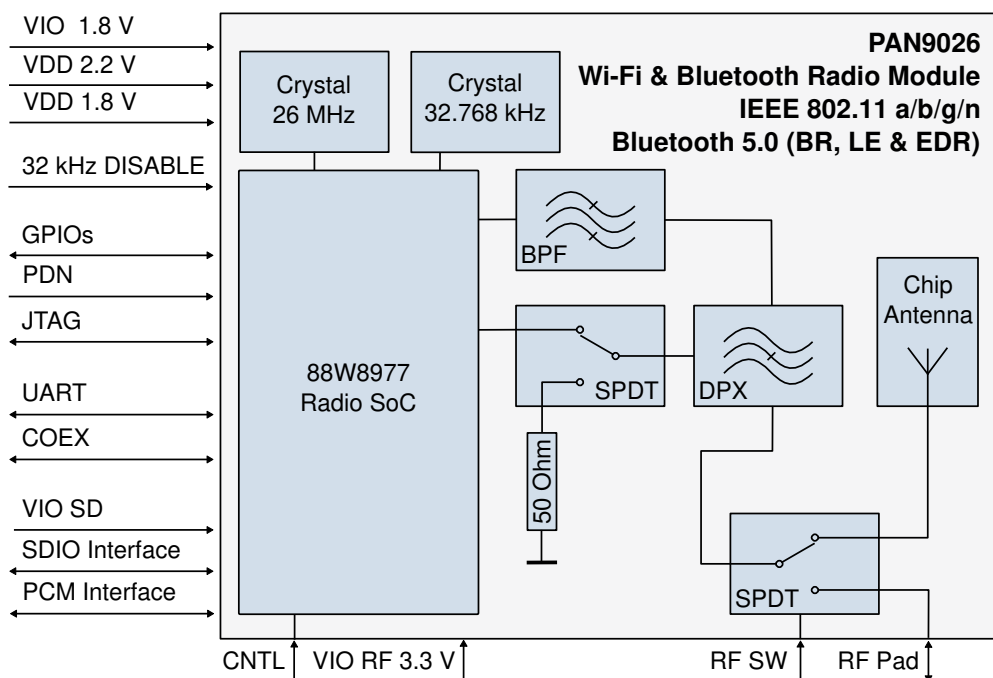
- Dual band 2.4 GHz and 5 GHz 802.11 a/b/g/n Wi-Fi/Bluetooth combined module
- Supports 802.11i security standards through AES, CCMP, and more security mechanisms
- 802.11e Quality of Service is supported for multimedia applications
- IEEE 802.11n-compliant, 1x1 spatial stream with data rates up to MCS7 150 Mbps
- Bluetooth 5.0, includes Low Energy (LE)
- Dual simultaneous and independent WLAN and Bluetooth operation
- Dynamic Rapid Channel Switching (DRCS) for simultaneous operation in 2.4 GHz and 5 GHz bands
- Indoor location and navigation with IEEE 802.11mc

- Power management with sleep clock
- Coexistence interface for arbitration of colocated WLAN, Bluetooth, or Mobile Wireless System (e.g. LTE)
- Generic interfaces include SDIO 3.0 and high-speed UART for host processor connection
- Software Linux driver

Characteristics

- Surface Mount Type (SMT)
17.5 mm x 10.0 mm x 2.6 mm
- Marvell® 88W8977 WLAN 2.4 GHz and 5 GHz and Bluetooth single-chip solution inside
- TX Power 16 dBm @ 802.11b
- RX Sensitivity -98 dBm @ 802.11b DSSS 1 Mbps
- IEEE 802.11n 20 MHz and 40 MHz channel bandwidth
- Long and Short Guard Interval support
- Power supply 3.3 V, 2.2 V, 1.8 V
- Current consumption Wi-Fi typical 400 mA @ TX and 70 mA @ RX
- SDIO 1-bit or 4-bit
- Wide temperature range of -30 °C to 85 °C

Block Diagram



By purchase of any of the products described in this document the customer accepts the document's validity and declares their agreement and understanding of its contents and recommendations. Panasonic reserves the right to make changes as required at any time without notification. Please consult the most recently issued Product Specification before initiating or completing a design.

© Panasonic Industrial Devices Europe GmbH 2019.

This specification sheet is copyrighted. Reproduction of this document is permissible only if reproduction is without alteration and is accompanied by all associated warranties, conditions, limitations, and notices. Do not disclose it to a third party.

All rights reserved.

This Product Description does not lodge the claim to be complete and free of mistakes.

Engineering Samples (ES)

If Engineering Samples are delivered to the customer, these samples have the status "Engineering Samples". This means that the design of this product is not yet concluded. Engineering Samples may be partially or fully functional, and they may differ from the published Product Specification.

Engineering Samples are not qualified and they are not to be used for reliability testing or series production.

Disclaimer

The customer acknowledges that samples may deviate from the Product Specification and may bear defects due to their status of development and the lack of qualification mentioned above.

Panasonic rejects any liability or product warranty for Engineering Samples. In particular, Panasonic disclaims liability for damages caused by:

- The use of the Engineering Sample other than for evaluation purposes, particularly the installation or integration in another product to be sold by the customer,
- Deviation or lapse in function of the Engineering Sample,
- Improper use of the Engineering Sample.

Panasonic Industrial Devices Europe GmbH disclaims any liability for consequential and incidental damages. In case of any queries regarding the Engineering Samples, please contact your local sales partner or the related product manager.

Table of Contents

1	About This Document	6
1.1	Purpose and Audience	6
1.2	Revision History.....	6
1.3	Use of Symbols	7
1.4	Related Documents	7
2	Overview	8
2.1	Block Diagram	9
2.2	Pin Configuration	10
2.3	Power Management.....	15
2.4	Host Interfaces	16
2.5	Peripheral Bus Interface	17
2.6	PCM Interface.....	17
2.7	Coexistence.....	18
2.8	WLAN	29
2.9	Bluetooth	37
3	Detailed Description	39
3.1	Dimensions.....	39
3.2	Footprint	40
3.3	Packaging.....	41
3.4	Case Marking	44
4	Specification	45
4.1	Default Test Conditions	45
4.2	Absolute Maximum Ratings.....	46
4.3	Recommended Operating Conditions.....	47
4.4	RF Electrical Characteristics.....	65
4.5	Reliability Tests	75
4.6	Recommended Soldering Profile	76
5	Cautions	77
5.1	Design Notes	77
5.2	Installation Notes	77
5.3	Usage Condition Notes.....	78
5.4	Storage Notes.....	78
5.5	Safety Cautions	79
5.6	Other Cautions	79
5.7	Restricted Use	80
6	Regulatory and Certification Information	81
6.1	Federal Communications Commission (FCC) for US	81
6.2	Innovation, Science, and Economic Development (ISED) for Canada	85
6.3	European Conformity According to RED (2014/53/EU)	94
6.4	Bluetooth Qualification.....	97
6.5	RoHS And REACH Declaration	97

- 7 **Appendix98**
- 7.1 Ordering Information.....98
- 7.2 Contact Details99

1 About This Document



1.1 Purpose and Audience

This Product Specification provides details on the functional, operational, and electrical characteristics of the Panasonic PAN9026 modules. It is intended for hardware design, application, and Original Equipment Manufacturers (OEM) engineers. The product is referred to as “the PAN9026” or “the module” within this document.

1.2 Revision History

Revision	Date	Modifications/Remarks
1.0	2017-12-20	Changed to Bluetooth 5.0. Changed PM in chapter “Power Configuration Example with 3.3 V Host Operation”. Included values in chapter “Current Consumption” and chapter “RF Characteristics”. Removed chapter “TDM Interface”. Additional models in chapter “Ordering Information”. Added section in chapter “Acronyms and Abbreviations”.
1.1	2018-07-03	Renamed section in chapter “Restricted Use”. Moved section in chapter “Life Support Policy”. Added section in chapter “Restricted End Use”. Added additional models “Ordering Information”.
1.2	2019-06-24	Changed Block Diagram in chapter “Power Configuration Example with 3.3 V Host Operation”. Added Table in chapter “Channel Tables based on Regulatory Domain/Country”. Changed Storage Temperature in chapter “Absolute Maximum Ratings”. Changed Power-Up in chapter “Power-up Sequence”. Restructure and update chapter “Cautions”. Added section in chapter “Regulatory and Certification Information”. Added additional models in chapter “Ordering Information”. Formal and structure changes.

1.3 Use of Symbols

Symbol	Description
	Note Indicates important information for the proper use of the product. Non-observance can lead to errors.
	Attention Indicates important notes that, if not observed, can put the product's functionality at risk.
⇒ [chapter number] [chapter title]	Cross reference Indicates cross references within the document. Example: Description of the symbols used in this document ⇒ 1.3 Use of Symbols.

1.4 Related Documents

Please refer to the Panasonic website for related documents ⇒ [7.2.2 Product Information](#).

2 Overview

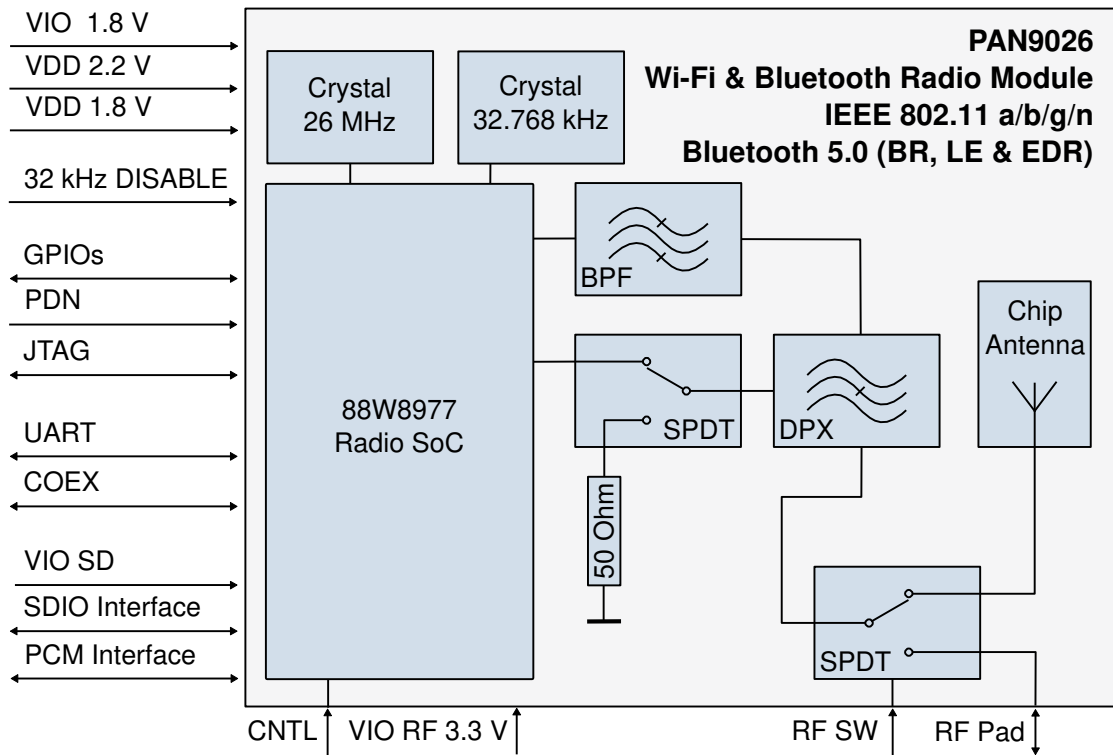
The PAN9026 is a dual band 2.4 GHz and 5 GHz 802.11 a/b/g/n Wi-Fi radio module with integrated Bluetooth BR/EDR/LE, specifically designed for highly integrated and cost-effective applications. The simultaneous and independent operation of the two standards enables high data rates (802.11n) and low-power operation (Bluetooth Low Energy). Integrated power management, a fast dual-core CPU, 802.11i security standard support, and high-speed data interfaces deliver the performance for the speed, reliability, and quality requirements of next generation products. TX power calibration data and Wi-Fi/Bluetooth system parameters are pre-stored on the one-time-programmable memory of the PAN9026 during production at Panasonic. This simplifies passing the certification process for PAN9026 customers. Furthermore, the module reduces design, test, and calibration effort resulting in reduced time-to-market compared to discrete solutions.

Integrating Wi-Fi and Bluetooth wireless connectivity allows applications such as Smart Energy and home gateways to manage multiple devices and appliances. The combination of Wi-Fi and Bluetooth provides the highest flexibility for connectivity.

Please refer to the Panasonic website for related documents ⇒ [7.2.2 Product Information](#).

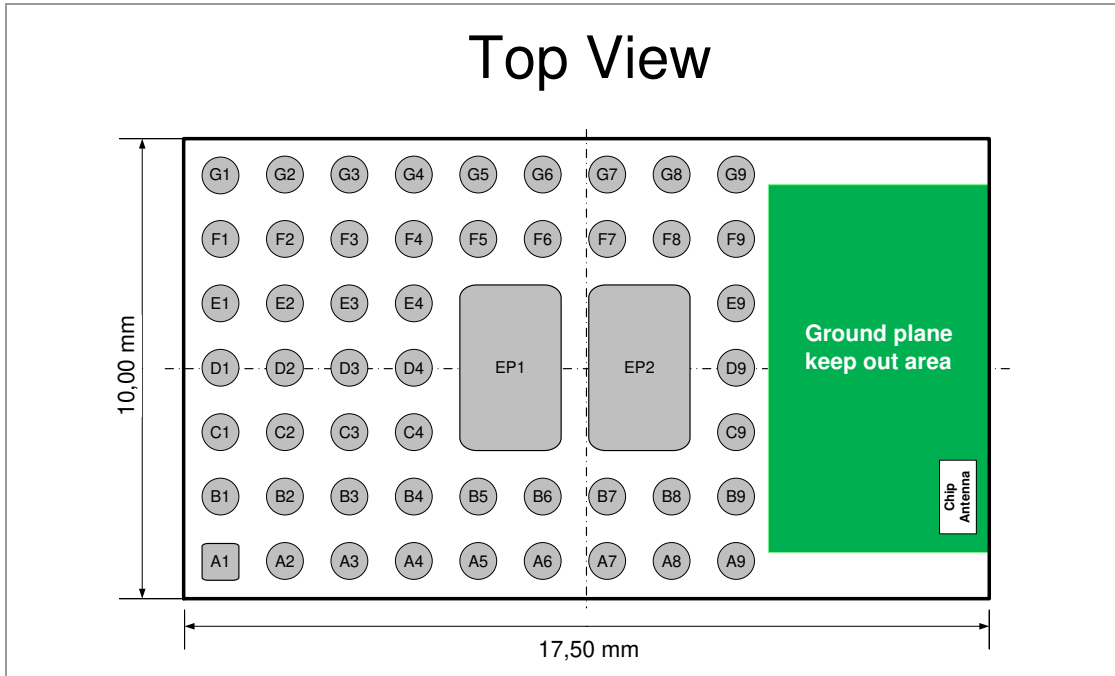
Further information on the variants and versions ⇒ [7.1 Ordering Information](#).

2.1 Block Diagram



2.2 Pin Configuration

Pin Assignment



Pin Functions

No.	Pin Name	Pin Type	Description
A1 ¹	PCM_DOUT	Output signal	PCM data output signal
	IO5	Digital I/O	General Purpose IO: GPIO[5]
A2	32KHZ_IN	NC	Do not connect
A3	PDN	Input signal	Power down (active-low) is derived from VDD1V8, can accept an input signal of 1.8 V to 3.6 V (external pull-up resistor), it can be driven by the host and must be high for normal operation.
A4	VDD1V8	Power	1.7 V to 1.9 V (typ. 1.8 V) power supply connection
A5	VDD1V8	Power	1.7 V to 1.9 V (typ. 1.8 V) power supply connection
A6	VDD2V2	Power	2.1 V to 2.3 V (typ. 2.2 V) power supply connection
A7	RF_SW1	Input signal	RF Switch Pin 1: logical voltage level to activate on-board antenna or RF Pad ⇒ RF-Switch Pins Function
A8	GND	Ground pin	Connect to ground
A9	RF_OUT	RF port	50 Ω bottom pad to be activated by RF_SW1/RF_SW2 control voltage ⇒ RF-Switch Pins Function

¹ Multi-purpose pins: After the firmware download, the pins (GPIO, Serial Interface, RF control) are programmed in functional mode with dedicated functionality.

No.	Pin Name	Pin Type	Description
B1 ¹	PCM_CLK	Input/output	PCM clock signal, output if PCM master, input if PCM slave
	IO6	Digital I/O	General Purpose IO: GPIO[6]
B2 ¹	PCM_DIN	Input signal	PCM data input signal
	IO4	Digital I/O	General Purpose IO: GPIO[4]
B3 ¹	PCM_SYNC ²	Input/output	PCM Sync Pulse signal, output if PCM master, input if PCM slave
	IO7 ³	Digital I/O	General Purpose IO: GPIO[7]
B4	32KHZ_EN	Input Signal	If using VIO 3.3 V disable the internal 32.768 kHz crystal oscillator (100 Ω to GND) to use the SoC reference clock with lower accuracy
B5	VDD2V2	Power	2.1 V to 2.3 V (typ. 2.2 V) power supply connection
B6	VDD2V2	Power	2.1 V to 2.3 V (typ. 2.2 V) power supply connection
B7	RF_SW2	Input signal	RF Switch Pin 2: logical voltage level to activate on-board antenna or RF Pad ⇒ RF-Switch Pins Function
B8	GND	Ground pin	Connect to ground
B9	GND	Ground pin	Connect to ground
C1	IO2	Digital I/O	General Purpose IO: GPIO[2]
	DVSC[0]	Output signal	Digital voltage scaling control for PMIC (VOUT 2.2 V) ⇒ 2.3.1 Power Configuration Example with 3.3 V Host Operation
C2	IO3	Digital I/O	General Purpose IO: GPIO[3]
	DVSC[1]	Output signal	Digital voltage scaling control for PMIC (VOUT 1.05 V) (not used)
C3	IO1	Digital I/O	General Purpose IO: GPIO[1]
C4	COEX_SIN	Input signal	Serial data input from MWS modem or peripheral device
C9	GND	Ground pin	Connect to ground
D1	IO15	Digital I/O	General Purpose IO: GPIO[15]
D2	IO14	Digital I/O	General Purpose IO: GPIO[14]
D3	DNC_E3	NC	Do not connect
D4	COEX_SOUT	Output signal	Serial data output to MWS modem or peripheral device
D9	GND	Ground pin	Connect to ground
E1	SD_CLK	Digital I/O	For SDIO specific terminals ⇒ SDIO Pins Function
E2	SD_CMD	Digital I/O	For SDIO specific terminals ⇒ SDIO Pins Function
E3	IO0	Digital I/O	General Purpose IO: GPIO[0]
E4	DNC_E4	NC	Do not connect

² PCM Mode: After enabling the mode by host command, the pin is used as PCM Audio Interface.

³ GPIO Mode: After enabling the mode by host command, the pin is used as Multi-Purpose Interface.

No.	Pin Name	Pin Type	Description
E9	GND	Ground pin	Connect to ground
F1	SD_DAT0	Digital I/O	For SDIO specific terminals ⇒ SDIO Pins Function
F2	SD_DAT1	Digital I/O	For SDIO specific terminals ⇒ SDIO Pins Function
F3 ¹	UART_SOUT ⁴	Output Signal	Serial data output to peripheral device
	IO8 ³	Digital I/O	General Purpose IO: GPIO[8]
	BT_FREQ ⁵	Input Signal	Information Bluetooth using channel which overlaps WLAN channel or not
F4 ¹	UART_SIN ⁴	Input signal	Serial data input to peripheral device
	IO9 ³	Digital I/O	General Purpose IO: GPIO[9]
	BT_STATE ⁵	Input signal	Information BT_REQ priority (1-bit or 2-bit) and direction Bluetooth RX/TX
F5 ¹	UART_RTS ⁴	Output signal	Request-to-Send output to peripheral device
	IO11 ³	Digital I/O	General Purpose IO: GPIO[11]
	BT_REQ ⁵	Input signal	Bluetooth device request access to medium
F6	IO12	Digital I/O	General Purpose IO: GPIO[12]
F7	CNTL1	Output signal	Do not connect
F8	CNTL0	Input signal	Keep open (DNC) if using SDIO interface for Bluetooth or connect with 100 kΩ to GND if using UART interface for Bluetooth ⇒ Control Pin Function
F9	GND	Ground pin	Connect to ground
G1	SD_DAT2	Digital I/O	For SDIO specific terminals ⇒ SDIO Pins Function
G2	SD_DAT3	Digital I/O	For SDIO specific terminals ⇒ SDIO Pins Function
G3	VIOSD	Power	1.8 V or 3.3 V Digital I/O SDIO power supply
G4	VIO	Power	1.8 V or 3.3 V power supply for General Purpose IO, if using VIO 3.3 V disable the internal 32.768 kHz crystal oscillator (Pin No. B4)
G5 ¹	UART_CTS ⁴	Input signal	Clear-to-send input from peripheral device
	IO10 ³	Digital I/O	General Purpose IO: GPIO[10]
	BT_GRANT ⁵	Output signal	Indicate permission to transmit, low Bluetooth can transmit
G6	IO13	Digital I/O	General Purpose IO: GPIO[13]
G7	VIORF	Power	3 V to 3.6 V (typ. 3.3 V) power supply connection
G8	DNC	NC	Do not connect
G9	GND	Ground pin	Connect to ground

⁴ UART mode: After the dedicated firmware download, the pin is used as Host Controller Interface (HCI) for Bluetooth.

⁵ Bluetooth External Coexistence Mode: After enabling the mode by host command, the pin is used as Bluetooth external Coexistence Interface.

No.	Pin Name	Pin Type	Description
EP1	EPAD1	Thermal pin	Connect to ground
EP2	EPAD2	Thermal pin	Connect to gorund

SDIO Pins Function

No.	Pin Name	Pin Type	Description	
			4-Bit Mode	1-Bit Mode
E1	SD_CLK	Digital I/O	Clock	Clock
E2	SD_CMD	Digital I/O	Command Line	Command Line
F1	SD_DAT0	Digital I/O	Data Line bit [0]	Data Line
F2	SD_DAT1	Digital I/O	Data Line bit [1] or Interrupt (optional)	Interrupt
G1	SD_DAT2	Digital I/O	Data Line bit [2] or Read Wait (optional)	Read Wait (optional)
G2	SD_DAT3	Digital I/O	Data Line bit [3]	Not used

RF-Switch Pins Function

No.	Pin Name	Pin Type	Logical Level for Activation	
			On-Board Chip Antenna	RF OUT Pin
A7	RF_SW1	Input signal	3 V to 3.6 V (typ. 3.3 V)	GND (0 V)
B7	RF_SW2	Input signal	GND (0 V)	3 V to 3.6 V (typ. 3.3 V)

Control Pin Function

The control pin is used as configuration input to set parameters following a reset. The definition of the pin changes immediately after a reset to its usual function. To set a configuration bit to 0 bit, a 100 kΩ resistor must be attached from the pin to ground. No external circuitry is required to set a configuration bit to 0 bit.

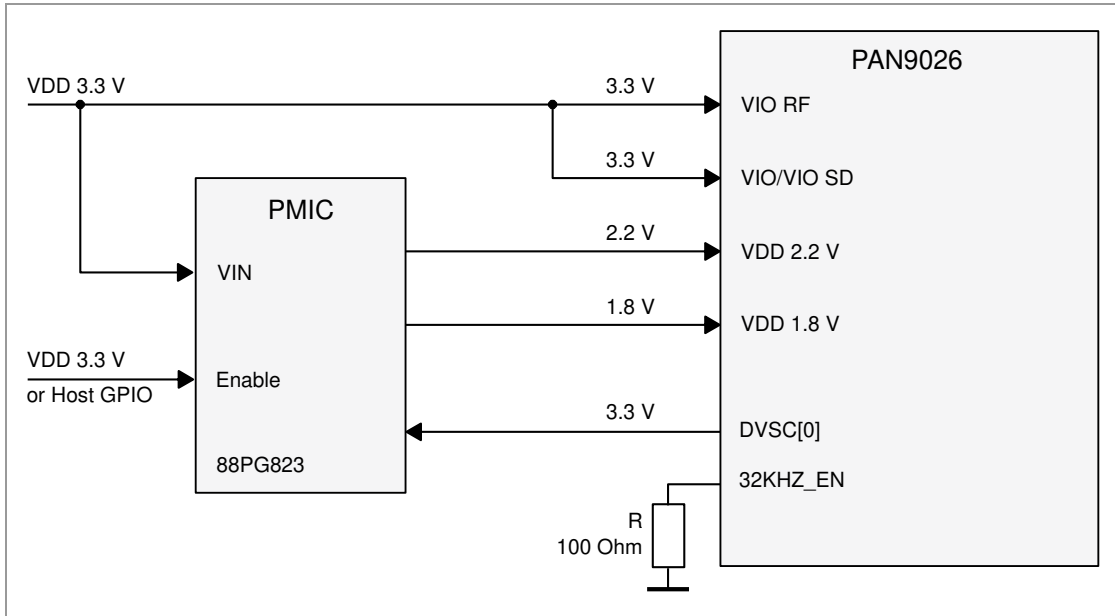
No.	Pin Name	Pin Type	Strap Value	WLAN	Bluetooth/Bluetooth LE	Firmware Download		Number SDIO Functions
						Type	Mode	
F8	CNTL0	Input Signal	0	SDIO	UART	SDIO+UART	Parallel/Serial	1 (WLAN)
			1	SDIO	SDIO	SDIO+SDIO	Parallel/Serial	2 (WLAN, Bluetooth)



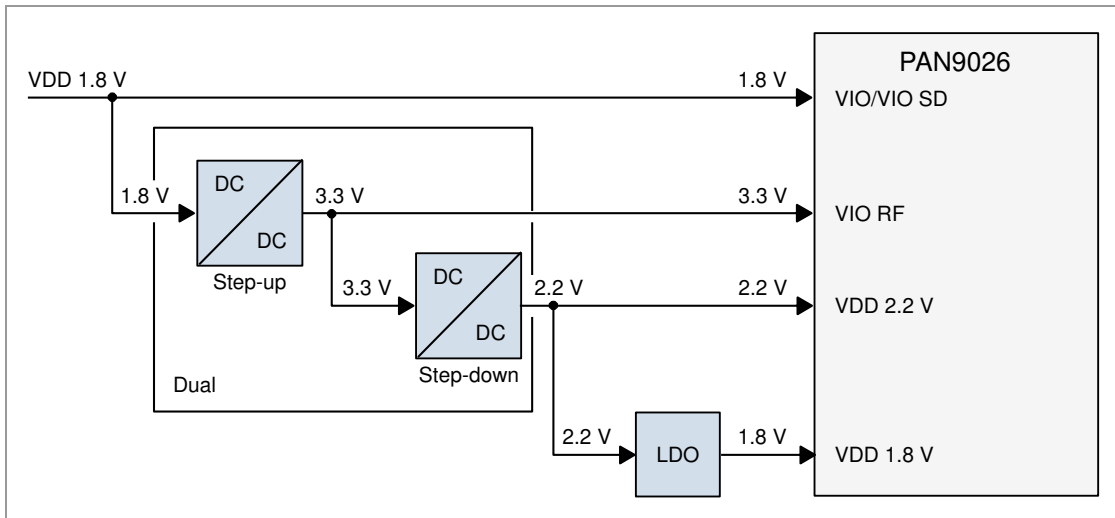
The configuration of the control pin is used for the firmware boot option. The software reads and boots accordingly.

2.3 Power Management

2.3.1 Power Configuration Example with 3.3 V Host Operation



2.3.2 Power Configuration Example with 1.8 V Host Operation



For further information please refer to ⇒ [4.3.4 Power-up Sequence](#).

2.4 Host Interfaces

The bus interface connects several host interface bus units to the CPU bus of the device through the internal bus. The connection of each unit is multiplexed with other bus units.

The high-speed UART interface is connected to the CPU bus through a separate bus.

Type	Features
High-speed UART interface	<p>The device supports a high-speed Universal Asynchronous Receiver/Transmitter (UART) interface, compliant with the industry standard 16550 specification.</p> <ul style="list-style-type: none">• FIFO mode permanently selected for transmit and receive operations• Two pins for transmit and receive operations• Two flow control pins• Interrupt triggers for low-power, high throughput operation
SDIO interface	<p>The device supports an SDIO device interface that conforms to the industry standard SDIO full-speed card specification and allows a host controller using the SDIO bus protocol to access the device.</p> <ul style="list-style-type: none">• Supports SDIO 3.0 Standard• 1-bit SDIO or 4-bit SDIO transfer modes with full clock range up to 100 MHz• On-chip memory used for CIS• Special interrupt register for information exchange• Allows card to interrupt host

For further information please refer to [⇒ 4.3.5 Host Interface](#).

2.5 Peripheral Bus Interface

The Peripheral Bus Unit (PBU) connects several low speed peripherals to the internal bus of the device. The device consists of the GPIO Interface and the One Time Programmable Memory.

Type	Features
General Purpose I/O (GPIO) Interface	<ul style="list-style-type: none">• User-defined GPIOs (each configured to either input or output)• Each GPIO controlled independently• Each I/O configurable to output bit from GPIO_OUT
One Time Programmable Memory (OTP)	<ul style="list-style-type: none">• Storing device-specific calibration data and hardware information like MAC/BD address, WLAN, and Bluetooth parameter• Programmed during production process of device• Device performs calibration when it is powered up

For further information please refer to [⇒ 4.3.6 Peripheral Interface](#).

2.6 PCM Interface

The device supports the PCM interface.

Type	Features
PCM Interface	<ul style="list-style-type: none">• Master or slave mode• PCM bit width size of 8 bits or 16 bits• Up to four slots with configurable bit width and start positions• Short frame and long frame synchronization

For further information please refer to [⇒ 4.3.7 Audio Interface](#).

2.7 Coexistence

The implemented coexistence framework is based on the IEEE 802.15.2 recommended practice Packet Traffic Arbitration (PTA) scheme and the Bluetooth Special Interest Group (Bluetooth SIG) Core Specification Volume 7 (Wireless Coexistence Volume).

2.7.1 WLAN/Bluetooth Channel Information Exchange

Since Bluetooth and IEEE 802.11 b/g/n WLAN use the same 2.4 GHz frequency band, each can cause interference with another. The level of interference depends on the respective frequency channel used by Bluetooth and WLAN (other factors can impact interference, like Tx power and Rx sensitivity of the device).

In a system with both Bluetooth and WLAN, the common host receives information about WLAN channel usage and passes the information to the Bluetooth device. For Bluetooth 1.2 devices with Adaptive Frequency Hopping (AFH) enabled, the Bluetooth device can block channel usage that overlaps the WLAN channel in use.

When the Bluetooth device avoids all channels used by the WLAN, the impact of interference is reduced, but not completely eliminated. For Bluetooth 1.1 devices, the Bluetooth device cannot block WLAN channel usage. In this case, a Bluetooth Coexistence Arbiter (BCA) scheme at MAC level is required. The BCA scheme can also be used with Bluetooth 1.2 devices to further reduce the impact of interference to a minimum.

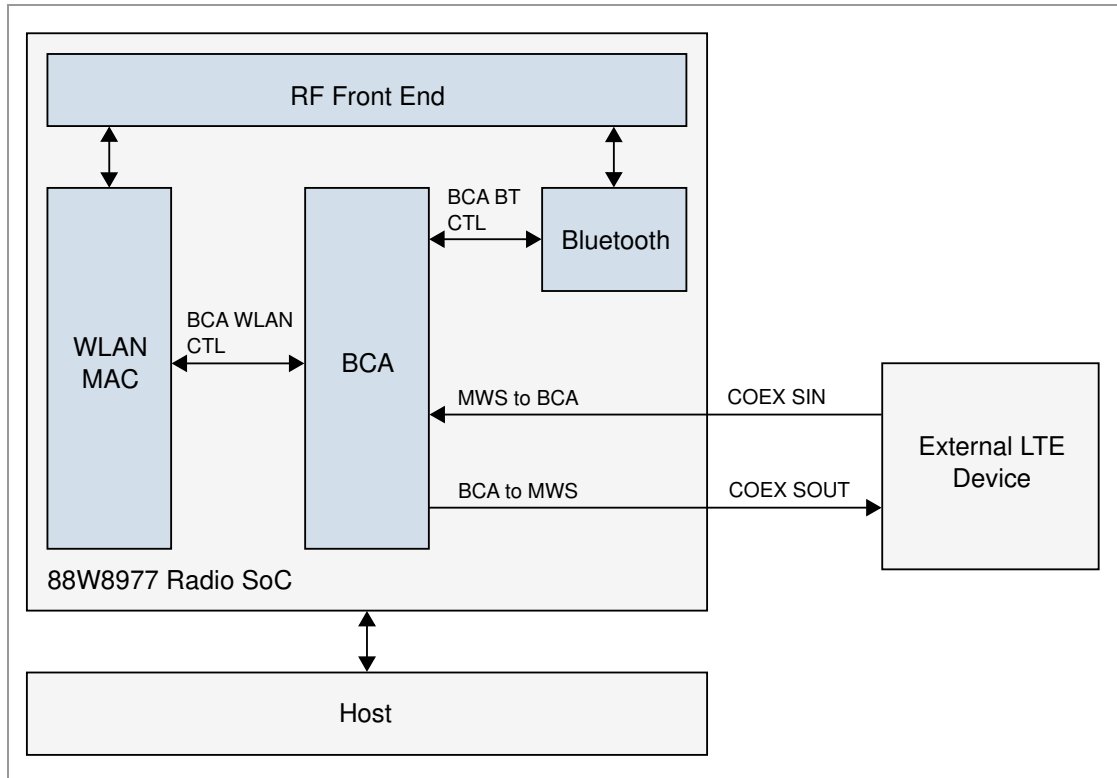
2.7.2 External Mobile Wireless System (LTE/ZigBee®) and BCA Exchange

Based on the Bluetooth SIG Wireless Coexistence Volume, the device supports a Wireless Coexistence Interface 2 (WCI-2) protocol for WLAN and Bluetooth coexistence with an external Mobile Wireless System (MWS), such as a Long Term Evolution (LTE) or ZigBee device.

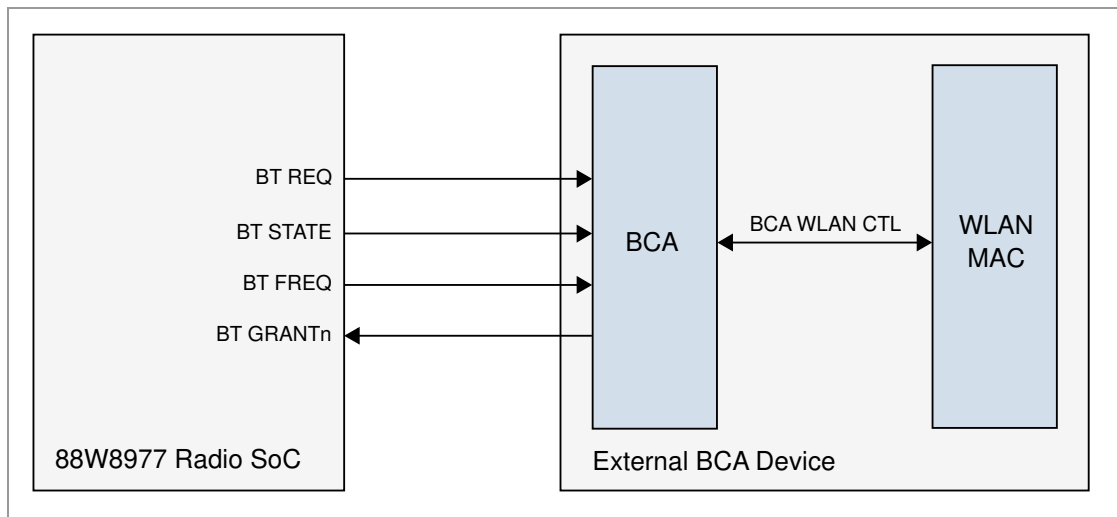
WCI-2 is a 2-wire transport interface. An internal coexistence is used to exchange request/grant with the BCA.

2.7.3 System Configuration

External MWS Device



External BCA Device



2.7.4 WCI-2 Interface

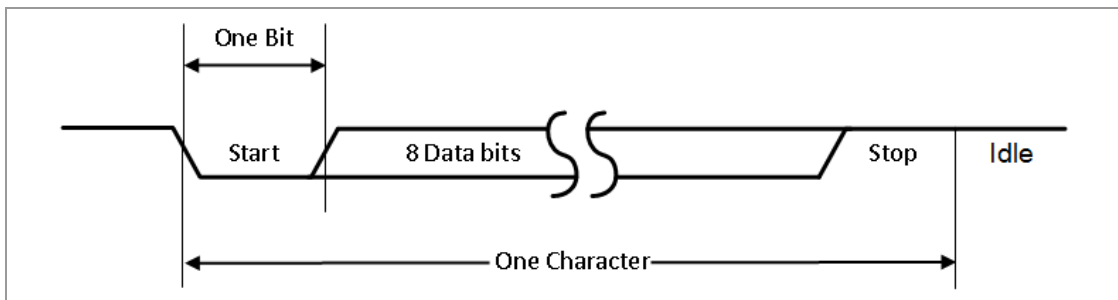
The coexistence interface includes a Mobile Wireless System (MWS) transport controller to accommodate a 2-wire, UART-based serial transport interface. This interface is a standard full-duplex UART (TXD and RXD) carrying logical signals framed as UART characters. In addition, it allows support of multiple logical channels.

Interface Signals

Pin No.	Signal Name	Specification Name	Pin Type	Description
C4	COEX_SIN	RXD	Input	Serial data from external MWS device
D4	COEX_SOUT	TXD	Output	Serial data to external MWS device

Signal Waveform Format

The messaging is based on a standard UART format. The UART signals should be connected like a null-modem. For example, the local TXD connected to the remote RXD and vice versa.



Interface Transport Settings

Item	Range	Comment
Baudrate	921 600 to 4 000 000	Baud
Data Bits	8	LSB first
Parity Bits	0	No parity
Stop Bit	1	One stop bit
Flow Control	No	No flow control

Supported Baud Rates

Baud			
921 600	2 000 000	3 000 000	4 000 000

Real-Time Signaling Message

The real-time signaling message is used to transport real-time signals over the 2-wire transport interface.

The real-time signaling message conveys the real-time signals (Bluetooth Core Specification, Volume 7, Part A) in one message. The time reference point for the real-time signaling message is the end of message bit 5 (transition to stop bit).

Defined real-time signaling messages include:

- Coexistence Controller to MWS device
- MWS device to Coexistence Controller

Real-Time Signaling	MSG[0]	MSG[1]	MSG[2]	MSG[3]	MSG[4]
MWS to Coexistence Controller (Signal)	FRAME_SYNC	MWS_RX	MWS_TX	PATTERN[0]	PATTERN[1]
Coexistence Controller to MWS (Message)	BT_RX_PRI	BT_TX_ON	802_RX_PRI	802_TX_ON	RFU

Signal Name
FRAME_SYNC
MWS_RX
MWS_TX
PATTERN[1,0]
BT_RX_PRI
BT_TX_ON
802_RX_PRI
802_TX_ON
MWS_INACTIVITY_DURATION
MWS_SCAN_FREQUENCY_OFFSET

Transport Control Message

The transport control messages can modify the state and request state information of the MWS coexistence interface.

Message	MSG[0]	MSG[1]	MSG[2]	MSG[3]	MSG[4]
Transport Control Message	RESEND_REAL_TIME	RFU	RFU	RFU	RFU

Signal Name	Description
RESEND_REAL_TIME	<p>This bit is set if a device wants to get a status update of the real-time signals. The signal is usually used after wake-up from sleep of the transport interface to get an update of the real-time signals.</p> <p>If the receiving device's transport interface is awake it shall send a real-time message with the current status of the real-time signals within four UART character period. If the signal is not transmitted within four UART character periods, the device is considered asleep.</p> <p>If the receiving device's transport interface is not awake it shall not send a real-time message.</p> <p>Bluetooth initiated:</p> <p>If the MWS is currently scanning or has an ongoing inactivity duration, the MWS shall send a frequency scan message or an inactivity duration message after transmitting the real-time message.</p> <p>If the receiving device's transport interface is not awake it shall not send a frequency scan or inactivity duration message.</p>

Transparent Data Message

The transport control messages can modify the state and request state information of the MWS coexistence interface.

Message	MSG[0]	MSG[1]	MSG[2]	MSG[3]	MSG[4]
Transparent Data Message	NIBBLE_POSITION	DATA[0]/ DATA[4]	DATA[1]/ DATA[5]	DATA[2]/ DATA[6]	DATA[3]/ DATA[7]

Signal Name	Description
NIBBLE_POSITION	<p>0 = least significant nibble</p> <p>1 = most significant nibble</p>
DATA[n]; n=0 ... 7	Data bits of the message octet

MWS Inactivity Duration Message

The inactivity duration messages is used to send the signal MWS_INACTIVITY_DURATION from the MWS device to the Coexistence Controller.

Message	MSG[0]	MSG[1]	MSG[2]	MSG[3]	MSG[4]
MWS Inactivity Duration Message	DURATION[0]	DURATION[1]	DURATION[2]	DURATION[3]	DURATION[4]

The idle duration is encoded in 5 bits given by the formula:

$$\text{Inactivity_Duration} = \text{DURATION} * 5 \text{ ms}$$

Inactivity durarations smaller than 5 ms are not communicated.

If all bits are set to 1 the inactivity duration is infinite. If all bits are set to 0, signal MWS_RX, or signal MWS_TX are set to 1, the inactivity period ends.

MWS Scan Frequency Offset Message

The MWS scan frequency offset message is used to send the signal MWS_SCAN_FREQUENCY_OFFSET from the MWS device to the Coexistence Controller.

Message	MSG[0]	MSG[1]	MSG[2]	MSG[3]	MSG[4]
MWS Scan Frequency Offset	BAND	FREQ[0]	FREQ [1]	FREQ [2]	FREQ [3]

The RF scan frequency is encoded in 5 bits given by the formula:

$$\text{RF_FREQ_OFFSET} = \text{FREQ} * 10 \text{ MHz}$$

If BAND is set to 0 the signal RF_FREQ_OFFSET is the negative value from the lower edge of the ISM band. If BAND is set to 1, signal RF_FREQ_OFFSET is the positive value from the top edge of the ISM band.

FREQ set to all 0 indicates the end of the scan period.

2.7.5 Bluetooth Coexistence Arbiter

Type	Features
Capability	<ul style="list-style-type: none"> • Programmable coexistence interface timing, interface modes, and signal polarity to support a variety of external Bluetooth devices • Programmable decision policies and transaction lock behavior for various use cases • Interface with external or on-chip Bluetooth device • Supports Bluetooth 1.1 or Bluetooth 1.2 AFH • WLAN-coordinated/Bluetooth-coordinated low-power design • Enhanced information sharing between WLAN and Bluetooth for combined systems • WLAN/Bluetooth/MWS (LTE/ZigBee) coexistence support
Arbitration	<ul style="list-style-type: none"> • Contention resolved by a customizable decision matrix that allows independent grant decision for each device • Vectors for the decision matrix: <ul style="list-style-type: none"> – WLAN priority (2-bit) – WLAN direction – Bluetooth priority (1-bit or 2-bit) – Bluetooth direction – Bluetooth frequency in/out band – MWS priority (2-bit) – MWS direction
AFH	<p>If AFH is enabled in the Bluetooth device, and there is a sufficient guard-band outside the WLAN operating frequency, the Bluetooth device uses the Out-Of-Band (OOB) channel with respect to the WLAN device. Otherwise, the Bluetooth device uses the In-Band (IB) and OOB channels with respect to the WLAN device.</p> <p>The IB and OOB information is either provided by the Bluetooth device through the coexistence interface, or it can be provided through firmware controls in a shared-host system. IB/OOB is a vector in the decision matrix.</p>

Type	Features
Decision Policies	<p>System configuration is a major consideration when planning decision policies. The configuration governs how RF paths are shared and how much interference will occur. Interference combinations include:</p> <ul style="list-style-type: none"> - WLAN TX and Bluetooth TX - WLAN TX and Bluetooth RX - WLAN RX and Bluetooth TX - WLAN RX and Bluetooth RX <p>Interference combinations where WLAN and Bluetooth share the same antenna:</p> <ul style="list-style-type: none"> - WLAN TX and Bluetooth TX share the same antenna, the decision matrix allows either WLAN or Bluetooth TX (both OOB and IB), based on relative packet priorities. - WLAN TX and Bluetooth RX (both OOB and IB) have sizable interference impacts on Bluetooth RX, the decision matrix grants or denies WLAN TX based on relative packet priorities. - WLAN RX and Bluetooth TX (both OOB and IB) have sizable interference impacts on WLAN RX, the decision matrix grants or denies Bluetooth TX based on relative packet priorities. - WLAN RX and Bluetooth RX (both OOB and IB) have no impact on each other, the decision matrix grants both. <p>Interference combinations where WLAN and Bluetooth have their own antenna:</p> <ul style="list-style-type: none"> - WLAN TX and Bluetooth TX in OOB situation have little interference impact on each other, the decision matrix grants both. - WLAN TX and Bluetooth TX in IB have sizable interference impact on each other, the decision matrix allows either WLAN or Bluetooth TX, based on relative packet priorities. - WLAN TX and Bluetooth RX in OOB situation have little interference impact on each other, the decision matrix grants both provided there is enough antenna isolation between WLAN and Bluetooth antenna. - WLAN TX and Bluetooth RX in IB situation have sizable interference impact on Bluetooth RX, the decision matrix grants or denies WLAN TX based on relative packet priorities. - WLAN RX and Bluetooth TX in OOB situation have little interference impact on each other, the decision matrix grants both provided there is enough antenna isolation between WLAN and Bluetooth antenna. - WLAN RX and Bluetooth TX in IB situation have sizable interference impact on WLAN RX, the decision matrix grants or denies Bluetooth TX based on relative packet priorities. - WLAN RX and Bluetooth RX (both OOB and IB) have no impact on each other, the decision matrix grants both. <p>For the devices running in a basic shared antenna configuration, the linear switching imposes restrictions on simultaneous transfer. Reasonable policies include:</p> <ul style="list-style-type: none"> - WLAN and Bluetooth are never granted at the same time - Decision matrix grants a device based on relative packet priorities and direction - Priority order: High > Medium High > Medium > Low - For equal priority contention, select one device to win, that optimizes the usage case <p>For the devices running in an enhanced shared antenna configuration, the linear switching imposes restrictions on some simultaneous transfers.</p>

Type	Features
Transaction Stopping	The arbiter allows control of what transfers can be stopped after an initial grant. If allowed, a transaction can be stopped for higher priority request. A transaction stop decision is a function of the decision policies and transaction stopping control. The transaction stopping control is configurable per device and direction.

2.7.6 Bluetooth Capability

Type	Features
Request Schemes	The PTA signals are directly controlled by the hardware to meet timing requirements of the Bluetooth radio. The software controls the type of traffic in priority mode. Mechanism enforced for control include: <ul style="list-style-type: none"> • Selection of certain types of communication always treated as high priority • Selection of individual frames marked with high priority • Real-time signaling of the next slot marked with high priority • Automatic hardware control, based on the grant/denial history of the Bluetooth link
Timing Control	The signal timing scheme PTA is fully programmable relative to the Bluetooth packet timing.

2.7.7 WLAN Capability

Type	Features
Capability	The WLAN device technology uses an internal coexistence interface to exchange request/grant with the BCA. <ul style="list-style-type: none"> • Packet-based request signaling with direction and priority information • 1-bit or 2-bit priority signaling to support four priority levels • Multiple WLAN RX request trigger sources, including early prediction • WLAN TX request cancellation and abort if grant denied or revoked in middle of request • 802.11n A-MPDU treated as single packet
Packet Classification	<ul style="list-style-type: none"> • Programmable mask allows each frame type to be mapped to a priority • Default setting puts response frames (ACK), beacons, and QoS frames as high priority • WLAN TX and RX have separate priority mask
Queue Classification	<ul style="list-style-type: none"> • Programmable mask allows each transmit queue to be mapped to a priority • Queue-based mapping is optional for software-generated frames only

2.7.8 LTE (MWS) Capability

The device supports a Bluetooth SIG WCI-2 MWS coexistence signaling interface. The coexistence logical signaling is designed to enable a standard interface to allow an MWS device and a Coexistence Controller to exchange information and support cooperative coexistence.

The WCI-2 signals carry time-critical information such as the start point of an MWS frame. The logical coexistence signaling architecture also includes transparent data messaging and vendor specific data messaging mechanism to enable passing information to and from the collocated MWS device and Coexistence Controller when long latency (tens of milliseconds) cannot be tolerated.

For further information please refer to [⇒ 2.7.4 WCI-2 Interface](#).

Coexistence Signals

The logical signals assist in time alignment, protecting MWS from interference and maximizing the usability of the Bluetooth radio.

Time-Critical Coexistence Signals

Signal Name	Direction
FRAME_SYNC	MWS to Bluetooth
BT_RX_PRI	Bluetooth to MWS
BT_TX_ON	Bluetooth to MWS
802_RX_PRI	Bluetooth to MWS
802_TX_ON	Bluetooth to MWS
MWS_PATTERN	MWS to Bluetooth
MWS_RX	MWS to Bluetooth
MWS_TX	MWS to Bluetooth
MWS_INACTIVITY_DURATION	MWS to Bluetooth
MWS_SCAN_FREQUENCY_OFFSET	MWS to Bluetooth
MWS_TX_PRIL (MWS TX Priority Level)	MWS to Bluetooth
MWS_RX_PRIL (MWS RX Priority Level)	MWS to Bluetooth

2.7.9 ZigBee (MWS) Coexistence Capability

ZigBee is based on the IEEE 802.15.4 standard and it is used by a suite of communication protocols to create Personal Area Networks (PANs) supporting home automation, lighting control, etc. ZigBee radios operate in the 2.4 GHz ISM band worldwide. Unlike Bluetooth, the ZigBee specification does not use AFH. When coexisting with WLAN/Bluetooth in the 2.4 GHz band, it is important to avoid co-channel (IB) operation of these radios.

The device re-uses the MWS coexistence interface to support ZigBee coexistence. The coexistence logical signaling is used to allow a ZigBee device and a WLAN/Bluetooth combined device to exchange information and support cooperative coexistence.

Coexistence Signals

The logical signals used for ZigBee and WLAN/Bluetooth coexistence are a subset of the LTE coexistence signaling. Considering the lower data rate of ZigBee packets, a lower baud rate may be chosen for the 2-wire UART physical interface. The BCA supports 3-way arbitration among ZigBee/WLAN/Bluetooth requests.

Coexistence Signals

Signal Name	Direction
MWS_RX	MWS to Bluetooth
MWS_TX	MWS to Bluetooth
MWS_PATTERN	MWS to Bluetooth
MWS_RX_PRI	MWS to Bluetooth
MWS_TX_PRI	MWS to Bluetooth
802_RX_PRI	Bluetooth to MWS
802_TX_ON	Bluetooth to MWS
BT_RX_PRI	Bluetooth to MWS
BT_TX_ON	Bluetooth to MWS

2.8 WLAN

Type	Features
IEEE 802.11/ Standards	<ul style="list-style-type: none"> • 802.11 data rates 1 and 2 Mbps (DSSS) • 802.11b data rates 5.5 and 11 Mbps (CCK) • 802.11a/g data rates 6, 9, 12, 18, 24, 36, 48, and 54 Mbps (OFDM) • 802.11b/g performance enhancements • 802.11n with maximum data rates up to 72 Mbps (20 MHz channel) and 150 Mbps (40 MHz channel) • 802.11e quality of service (QoS) • 802.11h transmit power control • 802.11h DFS radar pulse detection • 802.11i enhanced security (WEP, WPA, WPA2) • 802.11k radio resource measurement • 802.11mc precise indoor location and navigation • 802.11n block acknowledgment extension • 802.11r fast hand-off for AP roaming • 802.11u Hotspot 2.0 (STA mode only) • 802.11v TIM frame transmission/reception • 802.11w protected management frames • Support clients (stations) implementing IEEE Power Save mode
WLAN MAC	<ul style="list-style-type: none"> • Frame exchange at the MAC level to deliver data • Received frame filtering and validation (CRC) • Generation of MAC header and trailer information (MPDUs) • Fragmentation of data frames (MSDUs) • Access mechanism support for fair access to shared wireless medium through: <ul style="list-style-type: none"> – Distributed Coordination Function (DCF) – Enhanced Distributed Channel Access (EDCA) • A-MPDU aggregation/de-aggregation • 20 MHz and 40 MHz channel coexistence • RIFS burst receive • Management information base • Radio resource measurement • Quality of service • Block acknowledgement • Dynamic frequency selection • TIM frame TX and RX • Multiple BSS/Station • Transmit rate adaption • Transmit power control

Type	Features
WLAN Baseband	<ul style="list-style-type: none"> • 802.11n 1x1 SISO (WLAN SoC with SISO RF radio) • Backward compatibility with legacy 802.11a/b/g technology • WLAN/Bluetooth LNA sharing • PHY data rates up to 150 Mbps • 20 MHz bandwidth/channel, 40 MHz bandwidth/channel, upper/lower 20 MHz bandwidth in 40 MHz channel, and 20 MHz duplicate legacy bandwidth in 40 MHz channel mode operation • Modulation and Coding Scheme MCS 0 ~ 7 and MCS 32 (duplicate 6 Mbps) • Dynamic frequency selection (radar detection) <ul style="list-style-type: none"> – Enhanced radar detection for short and long pulse radar – Enhanced AGC scheme for DFS channel – Japan DFS requirement for W53 and W56 • 802.11k Radio resource measurement • 802.11n optional features: <ul style="list-style-type: none"> – 20 MHz and 40 MHz coexistence – Space-Time-Block-Coding (STBC) one spatial stream reception and transmission – Short Guard Interval for both 20 MHz and 40 MHz operation (TX/RX) – RIFS on receive path – Beamformer function and hardware acceleration – Greenfield TX/RX • 802.11mc locationing • Power save features
WLAN Radio	<ul style="list-style-type: none"> • Integrated direct-conversion radio • 20 MHz and 40 MHz channel bandwidth • Shared WLAN/Bluetooth receive input scheme for 2.4 GHz band • RX Path <ul style="list-style-type: none"> – On-chip gain selectable LNA with optimized noise figure and power consumption – High dynamic range AGC function in receive mode • TX Path <ul style="list-style-type: none"> – Internal PA with power control – Optimized TX gain distribution for linearity and noise performance • Local Oscillator with fine channel step
WLAN Encryption	<ul style="list-style-type: none"> • WEP 64-bit and 128-bit encryption with hardware TKIP processing (WPA) • AES-CCMP hardware implementation as part of 802.11i security standard (WPA2) • Enhanced AES engine performance • Advanced encryption standard (AES)/Counter-Mode/CBC-MAC Protocol (CCMP) • AES-Cipher-Based Message Authentication Code (CMAC) as part of the 802.11w security standard • WLAN Authentication and Privacy Infrastructure (WAPI)

Operation Modes

Parameter	Operation Mode				Specification
Standard Conformance	IEEE 802.11/IEEE 802.11b				
	IEEE 802.11a				
	IEEE 802.11g				
	IEEE 802.11n				
Modulation	IEEE 802.11a				OFDM
	IEEE 802.11b				DSSS/CCK
	IEEE 802.11g				OFDM
	IEEE 802.11n				OFDM @ MCS0~7 and MCS32 (duplicate 6 Mbps)
Physical Layer Data Rates	IEEE 802.11				1, 2 Mbps @ DSSS
	IEEE 802.11b				5.5, 11 Mbps @ DSSS/CCK
Supported Data Rates	IEEE 802.11g				6, 9, 12, 18, 24, 36, 48, 54 Mbps
	IEEE 802.11a				6, 9, 12, 18, 24, 36, 48, 54 Mbps
	IEEE 802.11n	MCS0~7	HT20	LGI	6.5, 13, 19.5, 26, 39, 52, 58.5, 65 Mbps
				SGL	7.2, 14.4, 21.7, 28.9, 43.3, 57.8, 65, 72.2 Mbps
	IEEE 802.11n	MCS0~7	HT40	LGI	13.5, 27, 40.5, 54, 81, 108, 121.5, 135 Mbps
SGL				15, 30, 45, 60, 90, 120, 135, 150 Mbps	
Supported Bandwidth	IEEE 802.11n				20, 40 MHz (BW)
Supported Channel Mode Operation	IEEE 802.11n				20 MHz BW/channel, 40 MHz BW/channel, upper/lower 20 MHz BW @ 40 MHz channel, 20 MHz duplicate legacy BW @ 40 MHz channel
Supported Guard Interval	IEEE 802.11n				400 ns (SGL), 800 ns (LGI)

Channels and Frequencies (without Regulatory Restrictions)

2.4 GHz IEEE 802.11b/g/n						
20 MHz Channels			40 MHz Channels			
Channel	Frequency	Unit	Channel	Frequency	Unit	
1	2 412	MHz	1-5	2 422	MHz	
2	2 417	MHz	2-6	2 427	MHz	
3	2 422	MHz	3-7	2 432	MHz	
4	2 427	MHz	4-8	2 437	MHz	
5	2 432	MHz	5-9	2 442	MHz	
6	2 437	MHz	6-10	2 447	MHz	
7	2 442	MHz	7-11	2 452	MHz	
8	2 447	MHz				
9	2 452	MHz				
10	2 457	MHz				
11	2 462	MHz				
12	2 467	MHz				
13	2 472	MHz				

5 GHz IEEE 802.11a/n						
20 MHz Channels			40 MHz Channels			
Channel	Frequency	Unit	Channel	Frequency	Unit	
36	5 180	MHz	36-40	5 190	MHz	
40	5 200	MHz	44-48	5 230	MHz	
44	5 220	MHz	52-56	5 270	MHz	
48	5 240	MHz	60-64	5 310	MHz	
52	5 260	MHz				
56	5 280	MHz				
60	5 300	MHz				
64	5 320	MHz				
100	5 500	MHz	100-104	5 510	MHz	
104	5 520	MHz	108-112	5 550	MHz	
108	5 540	MHz	116-120	5 590	MHz	
112	5 560	MHz	124-128	5 630	MHz	
116	5 580	MHz	132-136	5 670	MHz	
120	5 600	MHz				
124	5 620	MHz				
128	5 640	MHz				
132	5 660	MHz				
136	5 680	MHz				
140	5 700	MHz				

5 GHz IEEE 802.11a/n					
20 MHz Channels			40 MHz Channels		
Channel	Frequency	Unit	Channel	Frequency	Unit
149	5 745	MHz	149-153	5 755	MHz
153	5 765	MHz	157-161	5 795	MHz
157	5 785	MHz			
161	5 805	MHz			
165	5 825	MHz			

5 GHz IEEE 802.11a/n (India and additional UNII Channels)					
20 MHz Channels			40 MHz Channels		
Channel	Frequency	Unit	Channel	Frequency	Unit
144	5 720	MHz	68-72	5 350	MHz
169 ⁶	5 845	MHz	76-80	5 390	MHz
173	5 865	MHz	84-88	5 430	MHz
177	5 885	MHz	92-96	5 470	MHz
181	5 905	MHz	140-144	5 710	MHz
			165-169	5 835	MHz
			169-173 ⁷	5 855	MHz
			173-177	5 875	MHz

⁶ India channels that can be used in other countries as well

⁷ India use only

Channel Tables based on Regulatory Domain/Country

2.4 GHz IEEE 802.11b/g/n																						
802.11 Operation Mode					11b		11g				11n 20M			11n 40M								
Data Rates					1M - 11M	6M - 18M		24M - 36M	48M - 54M		MCS0 - MCS2	MCS3 - MCS4	MCS5 - MCS7	MCS0 - MCS2	MCS3 - MCS4	MCS5 - MCS7			0 = disable	1 = enable	Device Mode	Y = Yes/N = No
Model Variant ⁸	Channel 20M	Channel 40M	Frequenz	Unit	TX Power (maximum)													Unit	DFS	Passive Scan	Master	Client
US, EU, CA, MR	1		2412	MHz	15	15	15	14	14	14	13	-	-	-	dBm	0	0	Y	Y			
	2		2417	MHz	16	16	16	15	15	15	14	-	-	-	dBm	0	0	Y	Y			
	3	1-5	2422	MHz	16	16	16	15	15	15	14	13	13	12	dBm	0	0	Y	Y			
	4	2-6	2427	MHz	16	16	16	15	15	15	14	14	14	13	dBm	0	0	Y	Y			
	5	3-7	2432	MHz	16	16	16	15	15	15	14	14	14	13	dBm	0	0	Y	Y			
	6	4-8	2437	MHz	16	16	16	15	15	15	14	14	14	13	dBm	0	0	Y	Y			
	7	5-9	2442	MHz	16	16	16	15	15	15	14	14	14	13	dBm	0	0	Y	Y			
	8	6-10	2447	MHz	16	16	16	15	15	15	14	14	14	13	dBm	0	0	Y	Y			
	9	7-11	2452	MHz	16	16	16	15	15	15	14	13	13	12	dBm	0	0	Y	Y			
	10	-	2457	MHz	16	16	16	15	15	15	14	-	-	-	dBm	0	0	Y	Y			
US, CA, MR	11	-	2462	MHz	15	15	15	14	14	14	13	-	-	-	dBm	0	0	Y	Y			
	12	-	2467	MHz	-	-	-	-	-	-	-	-	-	-	dBm	0	0	N	N			
	13	-	2472	MHz	-	-	-	-	-	-	-	-	-	-	dBm	0	0	N	N			
EU	10	8-12	2457	MHz	16	16	16	15	15	15	14	14	14	13	dBm	0	0	Y	Y			
	11	9-13	2462	MHz	16	16	16	15	15	15	14	13	13	12	dBm	0	0	Y	Y			
	12	-	2467	MHz	16	16	16	15	15	15	14	-	-	-	dBm	0	0	Y	Y			
	13	-	2472	MHz	15	15	15	14	14	14	13	-	-	-	dBm	0	0	Y	Y			

⁸ The country related module variants are using a channel table with TX Power, DFS, and Passive Scan settings, which is pre-stored and locked in the OTP memory of the module and cannot be changed by host driver API. Please find the model variants restricted to a particular regulatory domain at the variant table of Ordering Information.

5 GHz IEEE 802.11a/n																		
802.11 Operation Mode																		
Data Rates																		
<div style="display: flex; justify-content: space-between;"> 6M - 18M 11a 11n 20M 11n 40M </div>																		
<div style="display: flex; justify-content: space-between;"> 24M - 36M 48M - 54M MCS0 - MCS2 MCS3 - MCS4 MCS5 - MCS7 MCS0 - MCS2 MCS3 - MCS4 MCS5 - MCS7 </div>																		
<div style="display: flex; justify-content: space-between;"> 0 = disable 1 = enable Device Mode Y = Yes/N = No </div>																		
Model Variant	Channel 20M	Channel 40M	Frequenz	Unit	TX Power (maximum)									Unit	DFS	Passive Scan	Master	Client
US, EU, CA, MR	36	38	5 180	MHz	16	16	15	15	15	14	14	14	13	dBm	0	0	Y	Y
	40		5 200	MHz	16	16	15	15	15	14	14	14	13	dBm	0	0	Y	Y
	44	46	5 220	MHz	16	16	15	15	15	14	14	14	13	dBm	0	0	Y	Y
	48		5 240	MHz	16	16	15	15	15	14	14	14	13	dBm	0	0	Y	Y
US, EU, CA	52	54	5 260	MHz	16	16	15	15	15	14	14	14	13	dBm	1	1	Y	Y
	56		5 280	MHz	16	16	15	15	15	14	14	14	13	dBm	1	1	Y	Y
	60	62	5 300	MHz	16	16	15	15	15	14	14	14	13	dBm	1	1	Y	Y
	64		5 320	MHz	16	16	15	15	15	14	14	14	13	dBm	1	1	Y	Y
MR	52	54	5 260	MHz	-	-	-	-	-	-	-	-	-	dBm	-	-	N	N
	56		5 280	MHz	-	-	-	-	-	-	-	-	-	dBm	-	-	N	N
	60	62	5 300	MHz	-	-	-	-	-	-	-	-	-	dBm	-	-	N	N
	64		5 320	MHz	-	-	-	-	-	-	-	-	-	dBm	-	-	N	N
US, EU, CA	100	102	5 500	MHz	16	16	15	15	15	14	14	14	13	dBm	1	1	Y	Y
	104		5 520	MHz	16	16	15	15	15	14	14	14	13	dBm	1	1	Y	Y
	108	110	5 540	MHz	16	16	15	15	15	14	14	14	13	dBm	1	1	Y	Y
	112		5 560	MHz	16	16	15	15	15	14	14	14	13	dBm	1	1	Y	Y
MR	100	102	5 500	MHz	-	-	-	-	-	-	-	-	-	dBm	-	-	N	N
	104		5 520	MHz	-	-	-	-	-	-	-	-	-	dBm	-	-	N	N
	108	110	5 540	MHz	-	-	-	-	-	-	-	-	-	dBm	-	-	N	N
	112		5 560	MHz	-	-	-	-	-	-	-	-	-	dBm	-	-	N	N
US, EU	116	118	5 580	MHz	16	16	15	15	15	14	14	14	13	dBm	1	1	Y	Y
	120		5 600	MHz	16	16	15	15	15	14	14	14	13	dBm	1	1	Y	Y
	124	126	5 620	MHz	16	16	15	15	15	14	14	14	13	dBm	1	1	Y	Y
	128		5 640	MHz	16	16	15	15	15	14	14	14	13	dBm	1	1	Y	Y
CA	116	118	5 580	MHz	16	16	15	15	15	14	-	-	-	dBm	1	1	Y	Y
	120		5 600	MHz	-	-	-	-	-	-	-	-	-	dBm	-	-	N	N
	124	126	5 620	MHz	-	-	-	-	-	-	-	-	-	dBm	-	-	N	N
	128		5 640	MHz	-	-	-	-	-	-	-	-	-	dBm	-	-	N	N

5 GHz IEEE 802.11a/n																		
802.11 Operation Mode					11a			11n 20M			11n 40M							
Data Rates					6M - 18M	24M - 36M		48M - 54M	MCS0 - MCS2	MCS3 - MCS4	MCS5 - MCS7	MCS0 - MCS2	MCS3 - MCS4	MCS5 - MCS7		0 = disable	1 = enable	Device Mode
Model Variant	Channel 20M	Channel 40M	Frequenz	Unit	TX Power (maximum)									Unit	DFS	Passive Scan	Master	Client
					6M - 18M	24M - 36M	48M - 54M	MCS0 - MCS2	MCS3 - MCS4	MCS5 - MCS7	MCS0 - MCS2	MCS3 - MCS4	MCS5 - MCS7					
MR	116	118	5 580	MHz	-	-	-	-	-	-	-	-	-	dBm	-	-	N	N
	120		5 600	MHz	-	-	-	-	-	-	-	-	-	dBm	-	-	N	N
	124	126	5 620	MHz	-	-	-	-	-	-	-	-	-	dBm	-	-	N	N
	128		5 640	MHz	-	-	-	-	-	-	-	-	-	dBm	-	-	N	N
US, CA, EU	132	134	5 660	MHz	16	16	15	15	15	14	14	14	13	dBm	1	1	Y	Y
	136		5 680	MHz	16	16	15	15	15	14	14	14	13	dBm	1	1	Y	Y
	140	-	5 700	MHz	16	16	15	15	15	14	-	-	-	dBm	1	1	Y	Y
MR	132	134	5 660	MHz	-	-	-	-	-	-	-	-	-	dBm	-	-	N	N
	136		5 680	MHz	-	-	-	-	-	-	-	-	-	dBm	-	-	N	N
	140	-	5 700	MHz	-	-	-	-	-	-	-	-	-	dBm	-	-	N	N
US, CA	149	151	5 745	MHz	16	16	15	15	15	14	14	14	13	dBm	0	0	Y	Y
	153		5 765	MHz	16	16	15	15	15	14	14	14	13	dBm	0	0	Y	Y
	157	159	5 785	MHz	16	16	15	15	15	14	14	14	13	dBm	0	0	Y	Y
	161		5 805	MHz	16	16	15	15	15	14	14	14	13	dBm	0	0	Y	Y
	165	-	5 825	MHz	16	16	15	15	15	14	-	-	-	dBm	0	0	Y	Y
EU, MR	149	151	5 745	MHz	10	10	9	10	10	9	9	9	8	dBm	0	0	Y	Y
	153		5 765	MHz	10	10	9	10	10	9	9	9	8	dBm	0	0	Y	Y
	157	159	5 785	MHz	10	10	9	10	10	9	9	9	8	dBm	0	0	Y	Y
	161		5 805	MHz	10	10	9	10	10	9	9	9	8	dBm	0	0	Y	Y
	165	-	5 825	MHz	10	10	9	10	10	9	-	-	-	dBm	0	0	Y	Y

2.9 Bluetooth

Type	Features
General	<ul style="list-style-type: none"> • Supports Bluetooth 5.0 • Shared Tx/Rx path for Bluetooth • Digital Audio Interface including PCM interface for voice application • Bluetooth and WLAN coexistence • WLAN/Bluetooth Coexistence (BCA) protocol support
Bluetooth Classic (BR/EDR)	<ul style="list-style-type: none"> • Bluetooth Classic with Bluetooth Class 1 support • Baseband and radio Basic Rate (BR) and Enhanced Data Rate (EDR) packet types with 1 Mbps (GFSK), 2 Mbps ($\pi/4$-DQPSK) and 3 Mbps (8DPSK) • Fully functional Bluetooth baseband with: <ul style="list-style-type: none"> – Adaptive Frequency Hopping (AFH) – Forward error correction – Header error control – Access code correlation – CRC – Encryption bit stream generation – Whitening • Adaptive Frequency Hopping (AFH) including Packet Loss Rate (PLR) • Interlaced scan for faster connection setup • Simultaneous active ACL connection support • Automatic ACL packet type selection • Full master slave piconet support • Scatternet support • Standard UART and SDIO HCI transport layer • SCO/eSCO links with hardware accelerated audio signal processing and hardware supported PPEC algorithm for speech quality improvement • All standard SCO/eSCO voice coding • All standard pairing, authentication, link key, and encryption operations • Standard Bluetooth power saving mechanism (i.e. hold, sniff modes, and sniff-sub rating) • Enhanced Power Control (EPC) • Channel Quality Driven (CQD) data rate • Wideband Speech (WBS) support (1 WBS link) • Encryption (AES) support • LTE/MWS coexistence

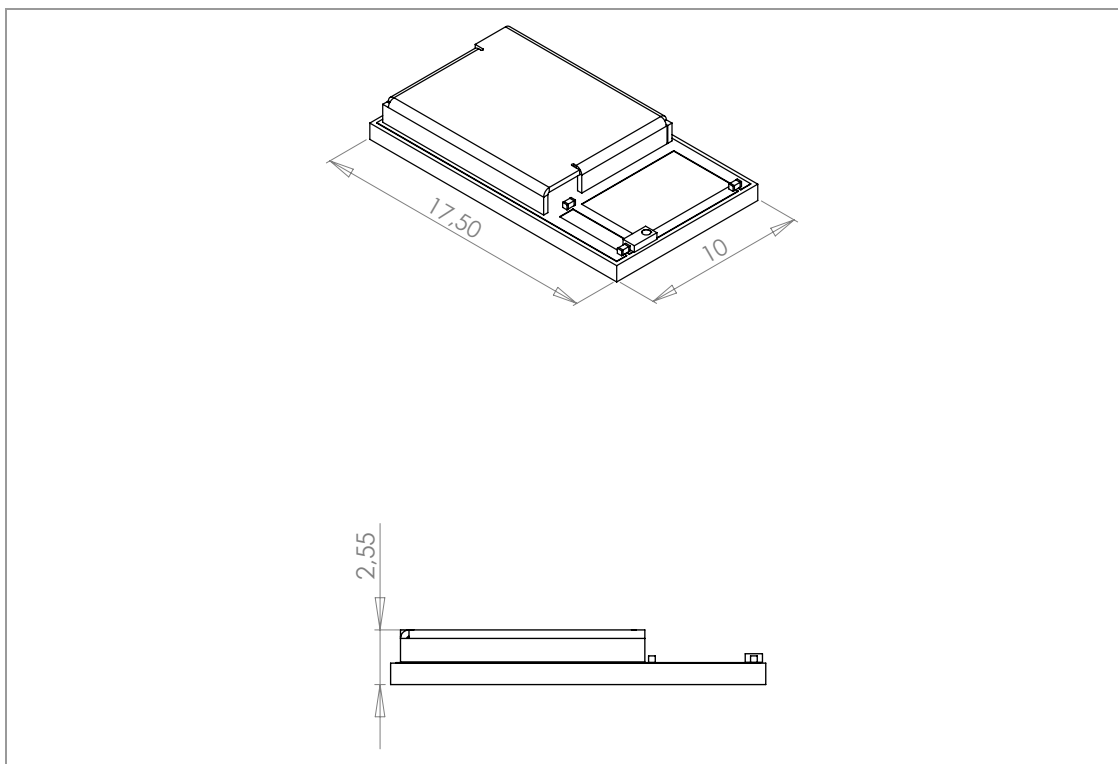
Type	Features
Bluetooth Low Energy (LE)	<ul style="list-style-type: none">• Broadcaster, Observer, Central, and Peripheral roles• Supports link layer topology to be master and slave (connects up to 16 links)• Shared RF with BR/EDR• Encryption AES support• Hardware support for intelligent Adaptive Frequency Hopping (AFH)• LE Privacy 1.2• LE Secure Connection• LE Data Length Extension• LE Advertising Length Extension• Direction Finding, Connection-oriented Angle of Arrival (AoA)

3 Detailed Description

3.1 Dimensions



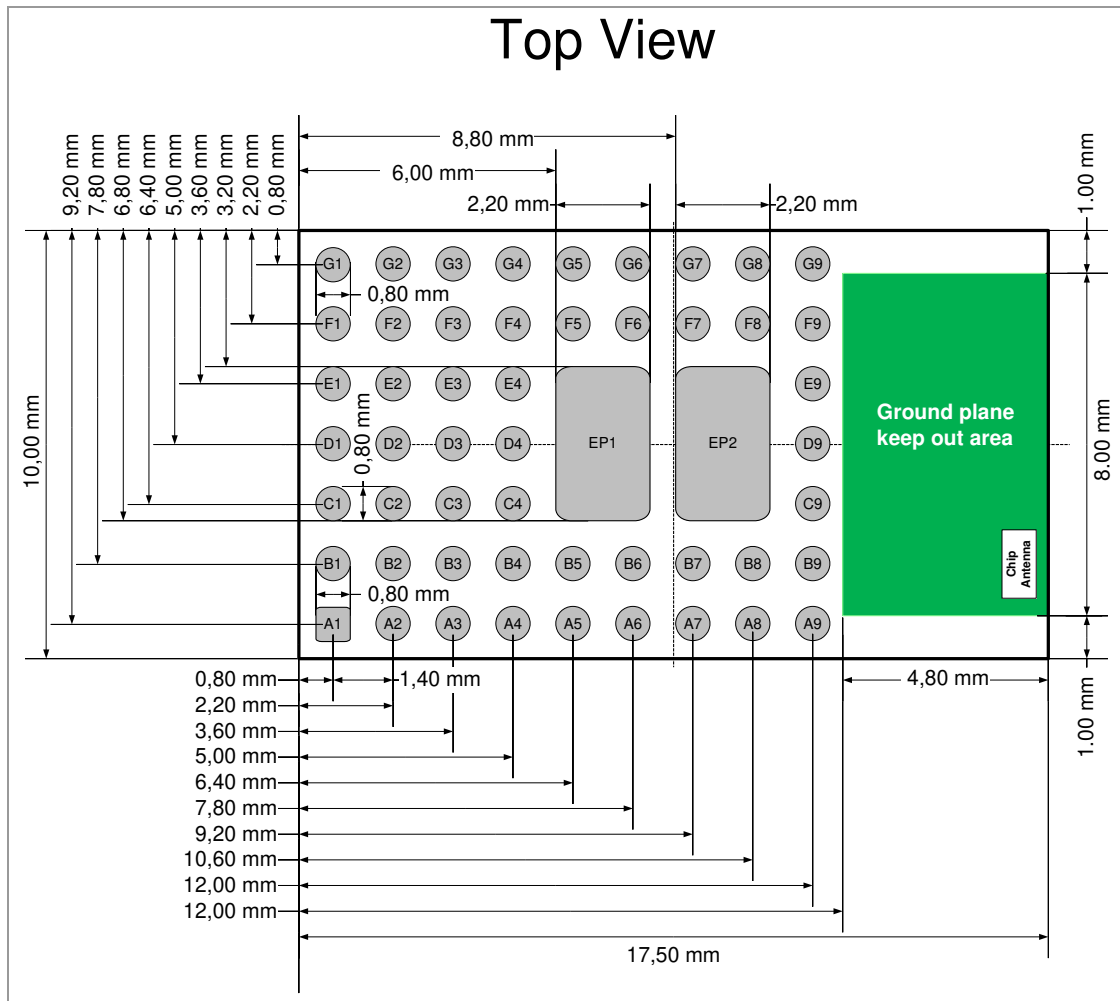
All dimensions are in millimeters.



No.	Item	Dimension	Tolerance	Remark
1	Width	10.00	± 0.35	
2	Length	17.50	± 0.35	
3	Height	2.55	± 0.20	with case

3.2 Footprint

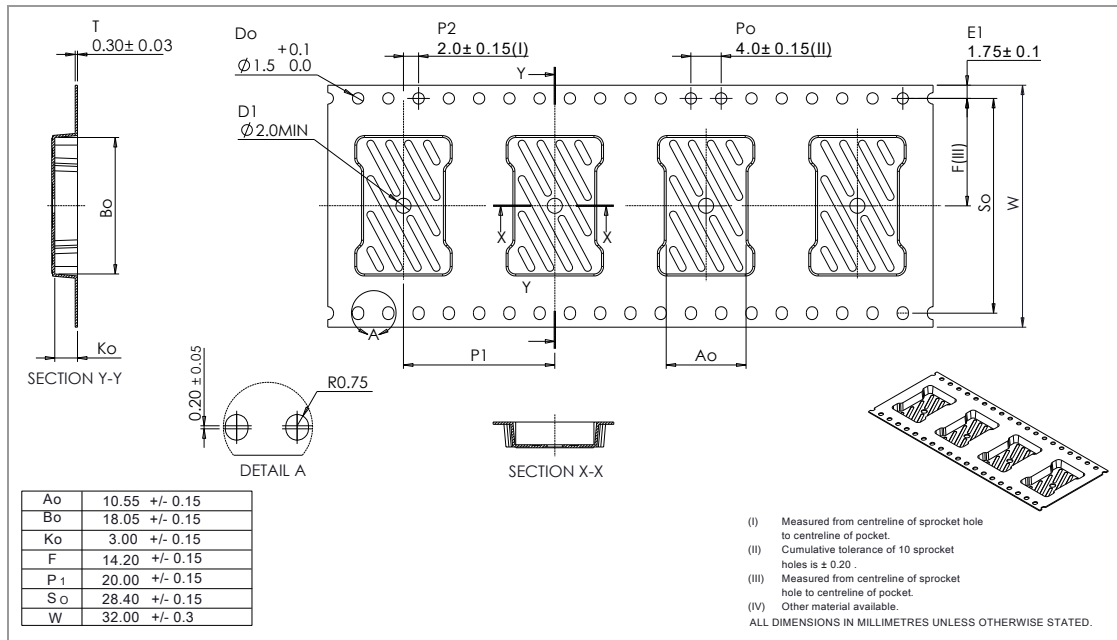
 The outer dimensions have a tolerance of ± 0.35 mm.



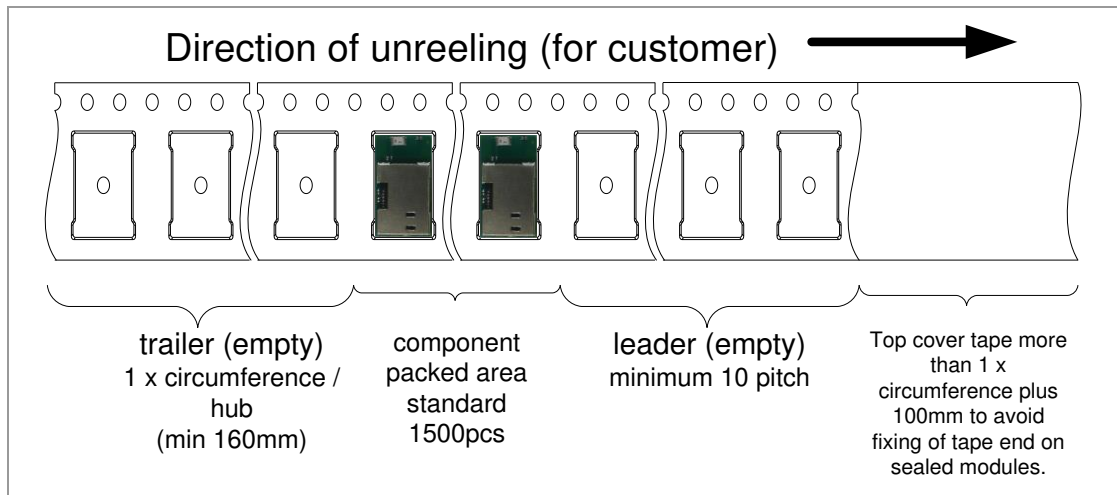
3.3 Packaging

The product is a mass production status product and will be delivered in the package described below.

3.3.1 Tape Dimensions



3.3.2 Packing in Tape

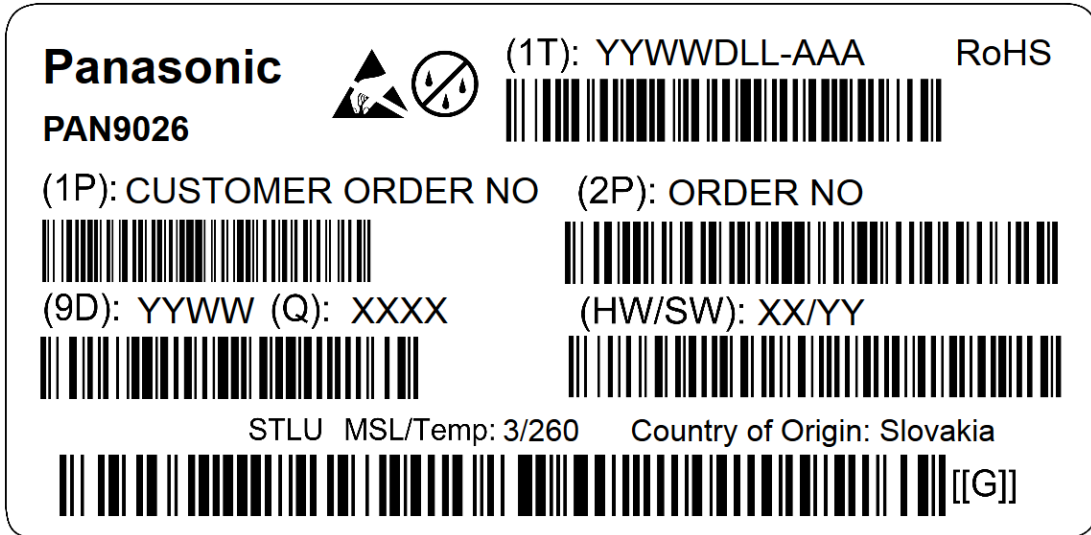


Empty spaces in the component packed area shall be less than two per reel and those spaces shall not be consecutive.

The top cover tape shall not be found on reel holes and it shall not stick out from the reel.

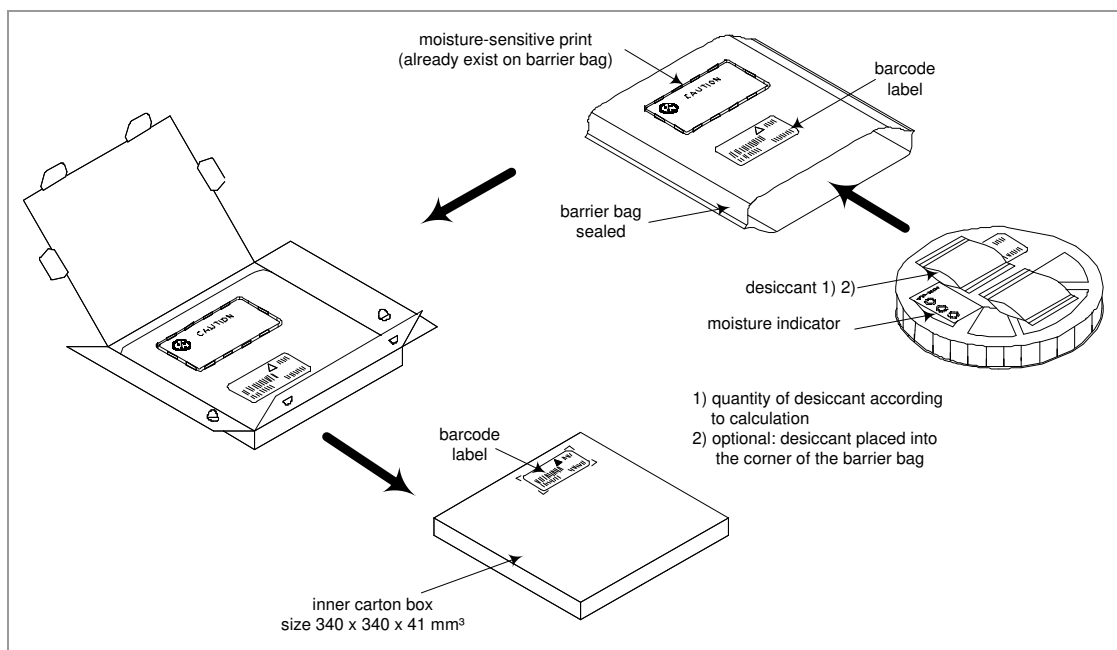
3.3.5 Package Label

Example



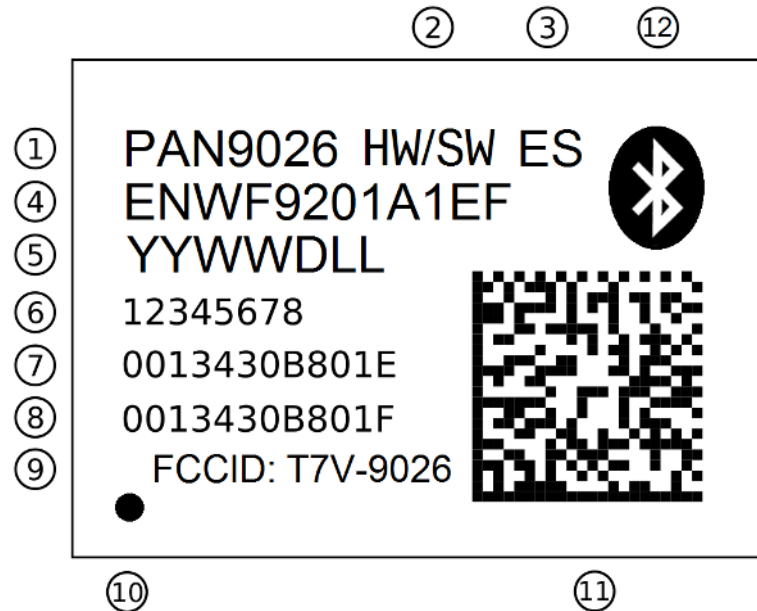
(1T)	Lot code
(1P)	Customer order number, if applicable
(2P)	Order number
(9D)	Date code
(Q)	Quantity
(HW/SW)	Hardware/software version

3.3.6 Total Package



3.4 Case Marking

Example for PAN9026 (top view)



1	Brand name
2	Hardware/Software version
3	Engineering Sample (optional)
4	Model Name/ENW number
5	Lot code
6	Serial number
7	WLAN MAC address
8	BD address
9	Certification grant ID
10	Marking for Pin 1
11	2D barcode, for internal usage only
12	Bluetooth SIG logo

4 Specification



All specifications are over temperature and process, unless indicated otherwise.

4.1 Default Test Conditions



Temperature:	25 °C ± 10 °C
Humidity:	40 % to 85 % RH
Supply Voltage:	VDD2V2 = 2.2 V
	VDD1V8 = 1.8 V
	VIO RF = 3.3 V
	VIO SD = 3.3 V
	VIO = 1.8 V


4.2 Absolute Maximum Ratings



The maximum ratings may not be exceeded under any circumstances, not even momentarily or individually, as permanent damage to the module may result.

Symbol	Parameter	Condition	Min.	Typ.	Max.	Units
T_{STOR}	Storage Temperature		-40		85	°C
V_{ESD}	ESD Robustness	All pads, according to human body model (HBM), JEDEC STD 22, method A114			1 000	V
		According to charged device model (CDM), JEDEC STD 22, method C101			500	V
P_{RF}	RF Input Level				20	dBm
V_{DD1V8}	Maximum Voltage	Maximum power supply voltage from any pin with respect to V_{SS} (GND)		1.8	1.98	V
V_{DD2V2}				2.2	2.3	V
V_{IOSD}				1.8	2.2	V
				3.3	4	V
V_{IO}				1.8	2.2	V
				3.3	4	V
V_{IORF}				3.3	4	V
$V_{\text{RF_SW1/2}}$				3.3	4	V

4.3 Recommended Operating Conditions



The maximum ratings may not be exceeded under any circumstances, not even momentarily or individually, as permanent damage to the module may result.

Symbol	Parameter	Condition	Min.	Typ.	Max.	Units
T _A	Ambient Operating Temperature Range	Extended grade	-30		85	°C
V _{DD1V8}	1V8 Supply Voltage ⁹	VDD voltage for Baseband and CPU on pins A4, A5	1.71	1.80	1.89	V
V _{DD2V2}	2V2 Supply Voltage ⁹	VDD voltage for VGA on pins A6, B5, B6	2.09	2.20	2.26	V
V _{IOSD}	Digital I/O VIOSD Supply Voltage ¹⁰	Pin G3 with 1.8 V operation ⇒ SDIO Pins Function	1.62	1.80	1.98	V
		Pin G3 with 3.3 V operation ⇒ SDIO Pins Function	2.97	3.30	3.47	V
V _{IO}	Digital I/O VIO Supply Voltage	Pin G4 with 1.8 V operation	1.62	1.80	1.98	V
		Pin G4 with 3.3 V operation Pin B4 connect to GND ¹¹	2.97	3.30	3.47	V
V _{IORF}	Digital I/O VIORF Supply Voltage ⁹	Pin G7 with 3.3 V operation	2.97	3.30	3.47	V
V _{RF_SW1/2}	VRF_SW1/2 Switch Voltage ⁹	Pin A7, B7 with 3.3 V logical level switch operation ⇒ RF-Switch Pins Function	2.97	3.30	3.60	V

⁹ The power consumption should not exceed 15 Watt

¹⁰ 1.8 V or 3.3 V supply voltage possible

¹¹ Connect the 32KHZ_EN pin via a 100 Ω resistor to ground to disable the internal 32.768 kHz crystal oscillator. The low power modes will then use the SoC reference clock, which has lower accuracy.

4.3.1 Digital Pin Characteristics

V_{IO} with 1.8 V Operations¹²

Symbol	Parameter	Condition	Min.	Typ.	Max.	Units
V _{IH}	High Level Input Voltage	1.8 V operation (V _{IO} = 1.8 V)	0.7 V _{IO}		V _{IO} +0.4	V
V _{IL}	Low Level Input Voltage	1.8 V operation (V _{IO} = 1.8 V)	-0.4		0.3 V _{IO}	V
V _{HYS}	Input Hysteresis		100			mV
V _{OH}	High Level Output Voltage	1.8 V operation (V _{IO} = 1.8 V)	V _{IO} -0.4			V
V _{HO}	Low Level Output Voltage	1.8 V operation (V _{IO} = 1.8 V)			0.4	V

V_{IO} with 3.3 V Operations¹²

Symbol	Parameter	Condition	Min.	Typ.	Max.	Units
V _{IH}	High Level Input Voltage	3.3 V operation (V _{IO} = 3.3 V)	0.7 V _{IO}		V _{IO} +0.4	V
V _{IL}	Low Level Input Voltage	3.3 V operation (V _{IO} = 3.3 V)	-0.4		0.3 V _{IO}	V
V _{HYS}	Input Hysteresis		100			mV
V _{OH}	High Level Output Voltage	3.3 V operation (V _{IO} = 3.3 V)	V _{IO} -0.4			V
V _{HO}	Low Level Output Voltage	3.3 V operation (V _{IO} = 3.3 V)			0.4	V

V_{IOSD} 1.8 V Operation for SDIO I/F¹²

Symbol	Parameter	Condition	Min.	Typ.	Max.	Units
V _{IH}	High Level Input Voltage	1.8 V operation (V _{IOSD} = 1.8 V)	0.7 V _{IOSD}		V _{IOSD} +0.4	V
V _{IL}	Low Level Input Voltage	1.8 V operation (V _{IOSD} = 1.8 V)	-0.4		0.3 V _{IOSD}	V
V _{HYS}	Input Hysteresis		100			mV
V _{OH}	High Level Output Voltage	1.8 V operation (V _{IOSD} = 1.8 V)	V _{IOSD} -0.4			V
V _{HO}	Low Level Output Voltage	1.8 V operation (V _{IOSD} = 1.8 V)			0.4	V

¹² The capacitive load should not be larger than 50 pF for all I/Os when using the default driver strength settings. Large capacitance loads generally increase the overall current consumption.

VIOSD 3.3 V Operation for SDIO I/F¹²

Symbol	Parameter	Condition	Min.	Typ.	Max.	Units
V _{IH}	High Level Input Voltage	3.3 V operation (V _{IOSD} = 3.3 V)	0.7 V _{IO,SD}		V _{IO,SD} +0.4	V
V _{IL}	Low Level Input Voltage	3.3 V operation (V _{IOSD} = 3.3 V)	-0.4		0.3 V _{IO,SD}	V
V _{HYS}	Input Hysteresis		100			mV
V _{OH}	High Level Output Voltage	3.3 V operation (V _{IOSD} = 3.3 V)	V _{IOSD} -0.4			V
V _{HO}	Low Level Output Voltage	3.3 V operation (V _{IOSD} = 3.3 V)			0.4	V



For SDIO 3.0 standard modes SDR12, SDR25, SDR50, and DDR50, a supply voltage of VIOSD = 1.8 V should be used.

4.3.2 Current Consumption



The current consumption depends on the user scenario, the setup and timing of the power modes. Assume V_{DD2V2} = 2.2 V, V_{DD1V8} = 1.8 V, V_{IO,RF} = 3.3 V, V_{IO,SD} = 3.3 V, V_{IO} = 1.8 V, and T_{amb} = 25 °C, if nothing else stated.

General Current Consumption

Symbol	Parameter	Condition	Min.	Typ.	Max.	Units
I _{VDD1V8 @ PDn}	Power Down	Grounding of PDn pin		150		μA
I _{VDD2V2 @ PDn}				5		μA
I _{VDD1V8 @ DeepSleep}	WLAN/ Bluetooth Deep Sleep	Low-power state used in sleep state		600		μA
I _{VDD2V2 @ DeepSleep}				5		μA
I _{VDD1V8 @ Firmware Init}	Firmware Initialization	Device Initialization		400		mA
I _{VDD2V2 @ Firmware Init}				950		mA

WLAN Current Consumption

Symbol	Parameter	Condition	Min.	Typ.	Max.	Units
I _{VDD1V8 @ TX}	Active Transmit ¹³	P _{TX} = +15 dBm for 5 GHz band 802.11a @ 54 Mbps		230		mA
		P _{TX} = +14 dBm for 5 GHz band 802.11n 20M @ MCS7		240		mA

¹³ Peak values for specified output power level and data rate with UDP traffic between the AP and Device (STA).

Symbol	Parameter	Condition	Min.	Typ.	Max.	Units
		P _{TX} = +13 dBm for 5 GHz band 802.11n 40M @ MCS7		250		mA
		P _{TX} = +16 dBm for 2.4 GHz band 802.11b @ 11 Mbps		175		mA
		P _{TX} = +15 dBm for 2.4 GHz band 802.11g @ 54 Mbps		180		mA
		P _{TX} = +14 dBm for 2.4 GHz band 802.11n 20M @ MCS7		185		mA
I _{VDD2V2 @ TX}	Active Transmit ¹³	P _{TX} = +15 dBm for 5 GHz band 802.11a @ 54 Mbps		180		mA
		P _{TX} = +14 dBm for 5 GHz band 802.11n 20M @ MCS7		170		mA
		P _{TX} = +13 dBm for 5 GHz band 802.11n 40M @ MCS7		160		mA
		P _{TX} = +16 dBm for 2.4 GHz band 802.11b @ 11 Mbps		240		mA
		P _{TX} = +15 dBm for 2.4 GHz band 802.11g @ 54 Mbps		190		mA
		P _{TX} = +14 dBm for 2.4 GHz band 802.11n 20M @ MCS7		170		mA

Symbol	Parameter	Condition	Min.	Typ.	Max.	Units
I _{VDD1V8 @ RX}	Active Receive ¹⁴	5 GHz band 802.11a @ 54 Mbps		85		mA
		5 GHz band 802.11n 20M @ MCS7		95		mA
		5 GHz band 802.11n 40M @ MCS7		110		mA
		2.4 GHz band 802.11b @ 11 Mbps		65		mA
		2.4 GHz band 802.11g @ 54 Mbps		70		mA
		2.4 GHz band 802.11n 20M @ MCS7		75		mA
I _{VDD2V2 @ RX}	Active Receive ¹⁴	5 GHz band 802.11a/n		20		μA
		2.4 GHz band 802.11b/g/n		20		μA
I _{VDD1V8 @ IEEE-PS}	IEEE Power Save ¹⁵	DTIM = 1 with beacon interval 100 ms (Average ¹⁶)		2		mA
I _{VDD2V2 @ IEEE-PS}				20		μA

Bluetooth Current Consumption

Symbol	Parameter	Condition	Min.	Typ.	Max.	Units
I _{VDD1V8 @ TX}	BT SCO HV3	Peak, P _{TX} = +4 dBm		55		mA
	BT ACL DH1	Average, P _{TX} = 0 dBm		25		mA
	BT ACL 3-DH5	Average, P _{TX} = 0 dBm		35		mA
	LE	P _{TX} = 0 dBm		45		mA
I _{VDD2V2 @ TX}	BT SCO HV3	P _{TX} = +4 dBm		15		μA
	BT ACL DH1	P _{TX} = 0 dBm		15		μA
	BT ACL 3-DH5	P _{TX} = 0 dBm		15		μA
	LE	P _{TX} = 0 dBm		15		μA
I _{VDD1V8 @ RX}	LE	Peak		30		mA
I _{VDD2V2 @ RX}	LE			5		μA
I _{VDD1V8 @ Page Scan}	BT Page Scan	Peak		2.4		mA
I _{VDD2V2 @ Page Scan}				5		μA
I _{VDD1V8 @ PI Scan}	BT Page and Inquiry Scan	Peak		3.8		mA
I _{VDD2V2 @ PI Scan}				5		μA
I _{VDD1V8 @ LE Advertise}	LE Advertise in 1.28s Interval	Peak		1.5		mA
I _{VDD2V2 @ LE Advertise}				5		μA
I _{VDD1V8 @ LE Scan}	LE Scan with Interval 1.28 s	Peak		1.5		mA
I _{VDD2V2 @ LE Scan}				5		μA

¹⁴ Peak values for specified data rate with UDP traffic between the Device (Client) and AP (Server). The WLAN/Bluetooth combo Firmware is downloaded and Bluetooth is in Deep Sleep.

¹⁵ In IEEE Power Save the device automatically wakes up on beacons. If it is a DTIM value of 1 along with a beacon interval of 100 ms, the device wakes up every 100 ms.

¹⁶ The average current is averaged over one cycle which includes sleep time and wake up time.

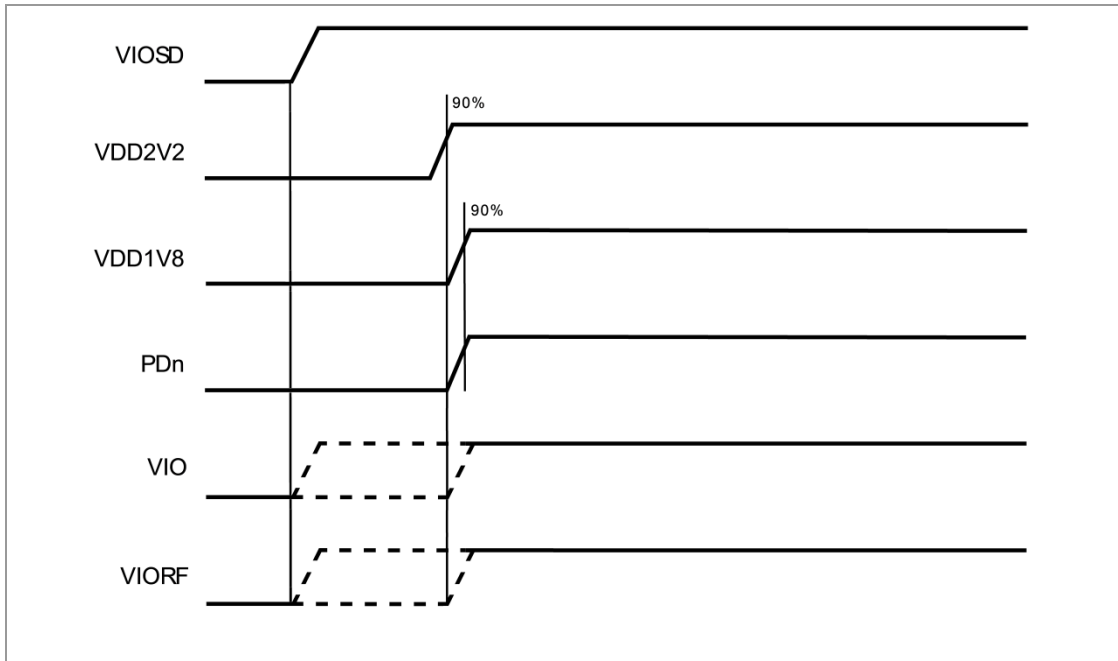
RF Control Current Consumption

Symbol	Parameter	Condition	Min.	Typ.	Max.	Units
$I_{VIO\text{RF}}$	RF FE Control	Controlled by Firmware		5		μA
$I_{\text{RF_SW1/2}}$	RF Switch Pin	Controlled by $V_{\text{RF_SW1/2}}$ (high level)		5		μA

4.3.3 Internal Operating Frequencies

Symbol	Parameter	Condition	Min.	Typ.	Max.	Units
f_{SYSCLK1}	CPU1/System /Encryption Clock Speed	Refers to clock speed of SoC's CPU1			160	MHz
f_{SYSCLK2}	CPU2	Refers to clock speed of SoC's CPU2			64	MHz
f_{REFCLK1}	Crystal Fundamental Frequency	Frequency tolerance $< \pm 10$ ppm over operating temperature and process		26		MHz
f_{SLEEPCLK}	Sleep Clock Frequency	Frequency tolerance $< \pm 20$ ppm over operating temperature, aging and process, CMOS input clock signal type		32.768		kHz

4.3.4 Power-up Sequence



Symbol	Parameter	Min.	Typ.	Max.	Units
V _{DD2V2}	Voltage level of V _{IOSD}	100			%
V _{DD1V8}	Voltage level of V _{DD2V2}	90			%
PDn	Voltage level of V _{DD2V2}	90			%

4.3.5 Host Interface

4.3.5.1 SDIO Interface



The SDIO Interface pins are powered from the VIOSD voltage supply with either 3.3 V or 1.8 V. The SDIO electrical specifications are identical for the 1-bit and 4-bit SDIO modes.

For the DC specification please refer to ⇒ [4.3.1 Digital Pin Characteristics](#).

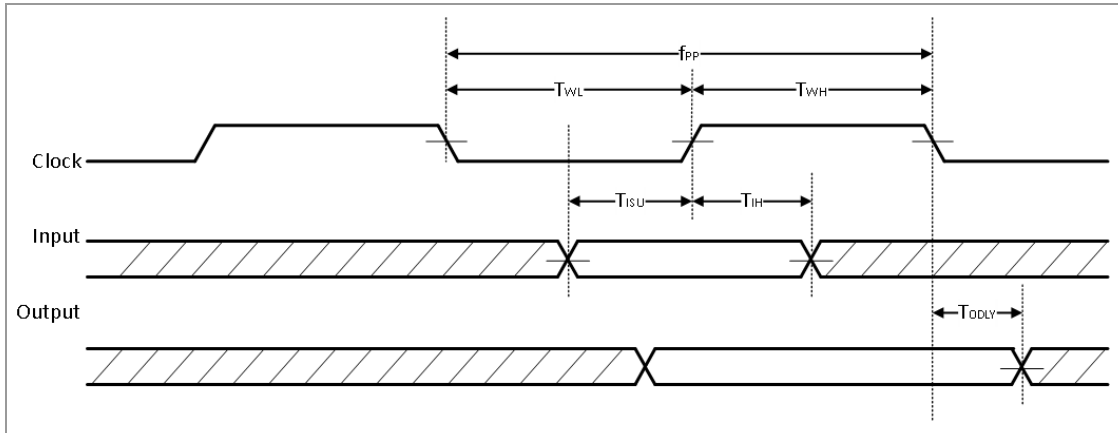
SDIO Timing Data: Default and High-Speed Modes (VIOSD 3.3 V)^{17,18}

Symbol	Parameter	Condition	Min.	Typ.	Max.	Units
f _{PP}	Clock Frequency	Normal	0		25	MHz
		High-speed	0		50	MHz
T _{WL}	Clock Low Time	Normal	10			ns
		High-speed	7			ns
T _{WH}	Clock High Time	Normal	10			ns
		High-speed	7			ns
T _{ISU}	Input Setup Time	Normal	5			ns
		High-speed	6			ns
T _{IH}	Input Hold Time	Normal	5			ns
		High-speed	2			ns
T _{ODLY}	Output Delay Time	Normal			14	ns
	CL ≤ 40 Pf (1 Card)	High-speed			14	ns
T _{OH}	Output Hold Time	High-speed	2.5			ns

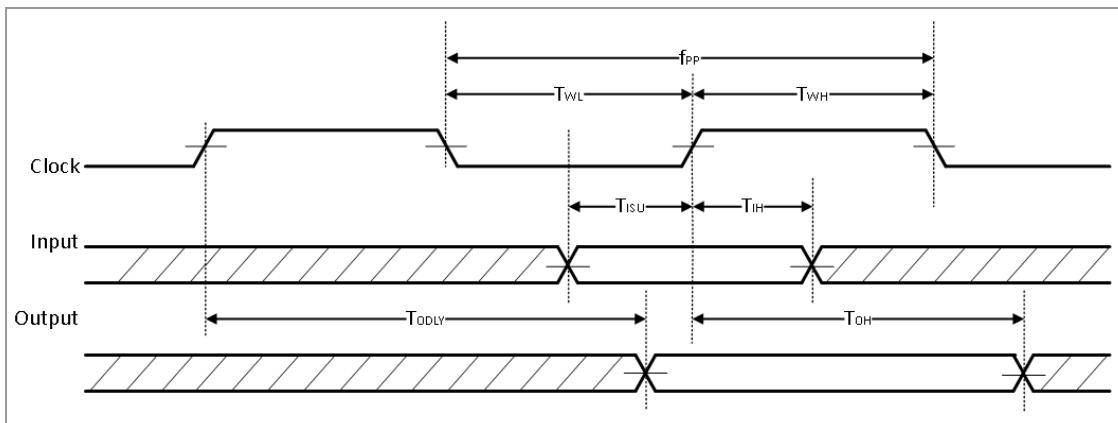
¹⁷ For SDIO 2.0 running at 50 MHz clock frequency, a supply voltage VIOSD of 1.8 V is recommended.

¹⁸ For SDIO 2.0 running at 25 MHz clock frequency, either 1.8 V or 3.3 V can be used.

SDIO Protocol Timing Diagram: Default Speed Mode (VIOSD 3.3 V)



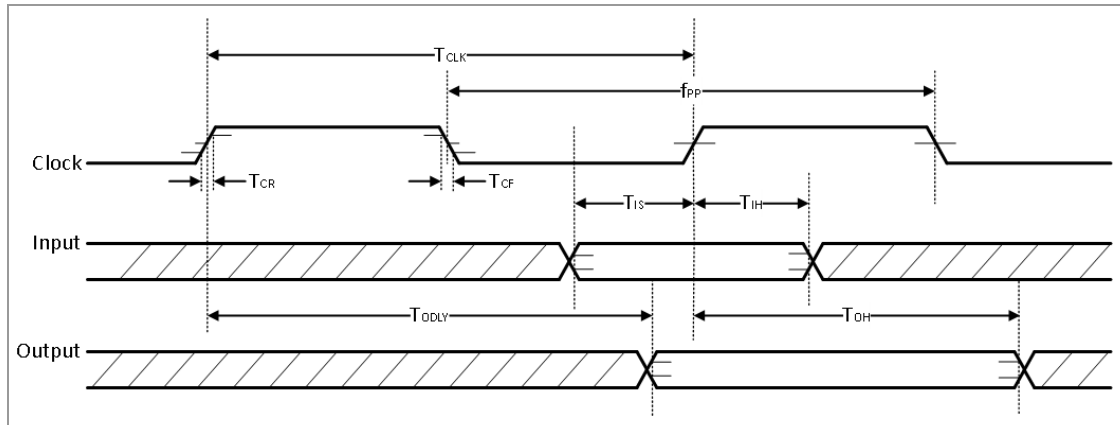
SDIO Protocol Timing Diagram: High-Speed Mode (VIOSD 3.3 V)



SDIO Timing Data: SDR12, SDR25, SDR50 Modes (VIOSD 1.8 V)

Symbol	Parameter	Condition	Min.	Typ.	Max.	Units
f_{PP}	Clock Frequency	SDR12/SDR25/ SDR50	25		100	MHz
T_{IS}	Input Setup Time	SDR12/SDR25/ SDR50	3			ns
T_{IH}	Input Hold Time	SDR12/SDR25/ SDR50	0.8			ns
T_{CLK}	Clock Time	SDR12/SDR25/ SDR50	10		40	ns
T_{CR}, T_{CF}	Rise Time, Fall Time $T_{CR}, T_{CF} < 2$ ns (max.) at 100 MHz $C_{CARD} = 10$ pF	SDR12/SDR25/ SDR50			0.2 * T_{CLK}	ns
T_{ODLY}	Output Delay Time $CL \leq 30$ pF	SDR12/SDR25/ SDR50			7.5	ns
T_{OH}	Output Hold Time $CL = 15$ pF	SDR12/SDR25/ SDR50	1.5			ns

SDIO Protocol Timing Diagram: SDR12, SDR25, SDR50 Modes (VIOSD 1.8 V)

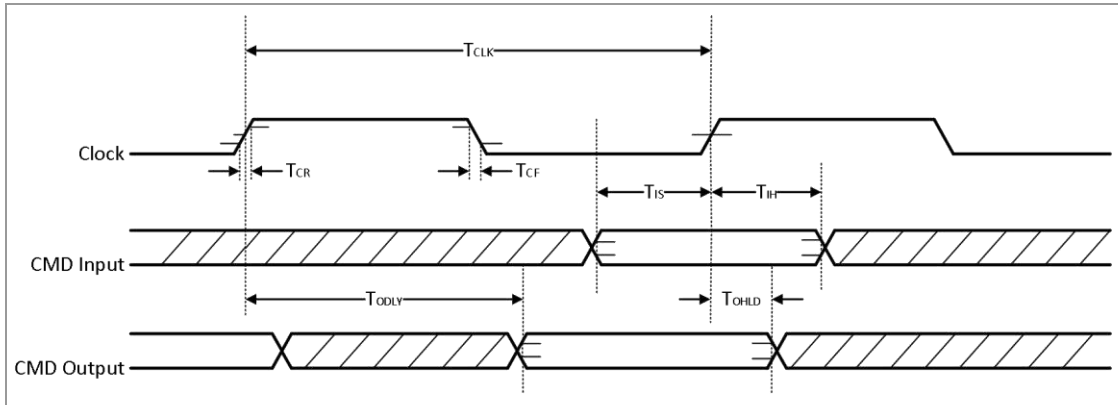


SDIO Timing Data: DDR50 Mode (VIOSD 1.8 V)

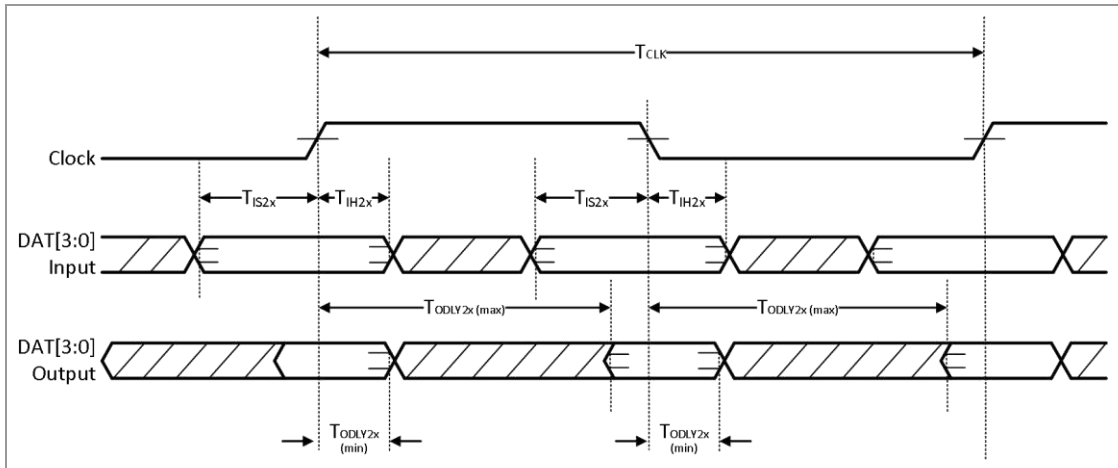
Symbol	Parameter	Condition	Min.	Typ.	Max.	Units
Clock						
T_{CLK}	Clock Time 50 MHz (max.) Between Rising Edges	DDR50	20			ns

Symbol	Parameter	Condition	Min.	Typ.	Max.	Units
T_{CR}, T_{CF}	Rise Time, Fall Time $T_{CR}, T_{CF} < 4.00$ ns (max.) at 50 MHz, $C_{CARD} = 10$ pF	DDR50			$0.2 * T_{CLK}$	ns
Clock Duty		DDR50	45		55	%
CMD Input (referenced to clock rising edge)						
T_{IS}	Input Setup Time $C_{CARD} \leq 10$ pF (1 card)	DDR50	6			ns
T_{IH}	Input Hold Time $C_{CARD} \leq 10$ pF (1 card)	DDR50	0.8			ns
CMD Output (referenced to clock rising edge)						
T_{ODLY}	Output Delay Time During Data Transfer Mode $C_L \leq 30$ pF (1 card)	DDR50			13.7	ns
$T_{OHL D}$	Output Hold Time $C_L \geq 15$ pF (1 card)	DDR50	1.5			ns
DAT[3:0] Input (referenced to clock rising and falling edge)						
T_{IS2x}	Input Setup Time $C_{CARD} \leq 10$ pF (1 card)	DDR50	3			ns
T_{IH2x}	Input Hold Time $C_{CARD} \leq 10$ pF (1 card)	DDR50	0.8			ns
DAT[3:0] Output (referenced to clock rising and falling edge)						
T_{ODLY2x} (max.)	Output Delay Time During Data Transfer Mode $C_L \leq 25$ pF (1 card)	DDR50			7	ns
T_{ODLY2x} (min.)	Output Hold Time $C_L \geq 15$ pF (1 card)	DDR50	1.5			ns

SDIO CMD Timing Diagram: DDR50 Mode (VIOSD 1.8 V, 50 MHz)



SDIO DAT[3:0] Timing Diagram: DDR50 Mode¹⁹ (VIOSD 1.8 V, 50 MHz)



¹⁹ In DDR50 mode, DAT[3:0] lines are sampled on both edges of the clock (not applicable for CMD line).

4.3.5.2 High-Speed UART Interface



The High-Speed UART Interface pins are powered from the VIO voltage supply with 1.8 V.

For the DC specification please refer to ⇒ [4.3.1 Digital Pin Characteristics](#).

The UART interface operation includes:

- Support data input/output operations for peripheral devices connected through a standard UART interface
- 4-wire data transfer (RXD, TXD, RTS, CTS)
- Programmable baud rate (1 200 bps to 4 Mbps)
- Data format (LSB first)
- Data bit: 5 bit to 8 bit
- Parity bit: 0 bit to 4 bit
- Stop bit: 1 bit to 2 bit

Interface Signals

Pin No.	Signal Name	Specification Name	Type	Description
F3	UART_SOUT	TXD	Host Controller Interface (HCI)	Transmit data output
F4	UART_SIN	RXD		Receive data input
F5	UART_RTS	RTS		Request to send (active low)
G5	UART_CTS	CTS		Clear to send (active low)

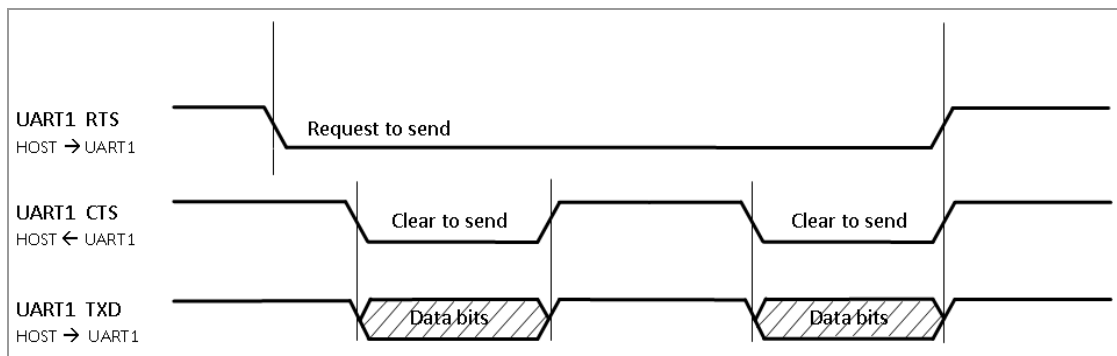
Interface Transport Settings

Item	Range	Default	Comment
Baudrate	1 200 ~ 4 000 000	3 000 000	Baud
Data Bits	5 ~ 8	8	LSB first
Parity Bits	0 ~ 4	0	
Stop Bit	1/1.5/2	1	

Supported Baud Rates

Baud								
1 200	2 400	4 800	9 600	19 200	38 400	57 600	76 800	115 200
230 400	460 800	500 000	921 600	1 000 000	1 382 400	1 500 000	1 843 200	2 000 000
2 100 000	2 764 800	3 000 000	3 250 000	3 692 300	4 000 000			

UART Timing Diagram



4.3.6 Peripheral Interface



The Peripheral Interface pins are powered from the VIO voltage supply with 1.8 V.

For the DC specification please refer to ⇒ [4.3.1 Digital Pin Characteristics](#).

4.3.6.1 GPIO Interface

The General-Purpose I/O (GPIO) interface is used to implement user-defined input and output signals to and from the device, such as external interrupts and other user-defined I/Os.

Configurable GPIOs

Function	GPIO Pin Name							
	IO0	IO1	IO2	IO3	IO12	IO13	IO14	IO15
GPIO IN	YES	YES	YES	YES	YES	YES	YES	YES
GPIO OUT	YES	YES	YES	YES	YES	YES	YES	YES
IRQ IN	YES	YES	YES	YES	YES	YES	YES	YES

LED Mode

Symbol	Parameter	Condition	Typ.	Units
I _{OH}	Switching Current High	Tristate on pin (requires pull-up)	Tristate when driving high	mA
I _{OL}	Switching Current Low	@ 0.4 V	10	mA

4.3.7 Audio Interface

4.3.7.1 PCM Interface

Interface Signals

Pin No.	Signal Name	Specification Name	Type	Description
A1	PCM_DOUT	DOUT	Output	PCM data
B1	PCM_CLK	CLK	Input/Output	PCM clock signal, output if PCM master, input if PCM slave
B1	PCM_MCLK	MCLK	Output	PCM clock signal (optional), optional clock used for some codecs, derived from PCM_CLK
B2	PCM_DIN	DIN	Input	PCM data
B3	PCM_SYNC	SYNC	Input/Output	PCM Sync pulse signal, output if PCM master, input if PCM slave

Modes of Operation

The PCM Interface supports two modes of operation:

- PCM master
- PCM slave

When in PCM master mode, the interface generates a 2 MHz or a 2.048 MHz signal PCM_CLK and a 8 kHz signal PCM_SYNC signal. An alternative PCM master mode is available that uses an externally generated signal PCM_CLK, but still generates the 8 kHz signal PCM_SYNC. The external signal PCM_CLK must have a frequency that is an integer multiple of 8 kHz. Supported frequencies are in the 512 kHz to 4 MHz range.

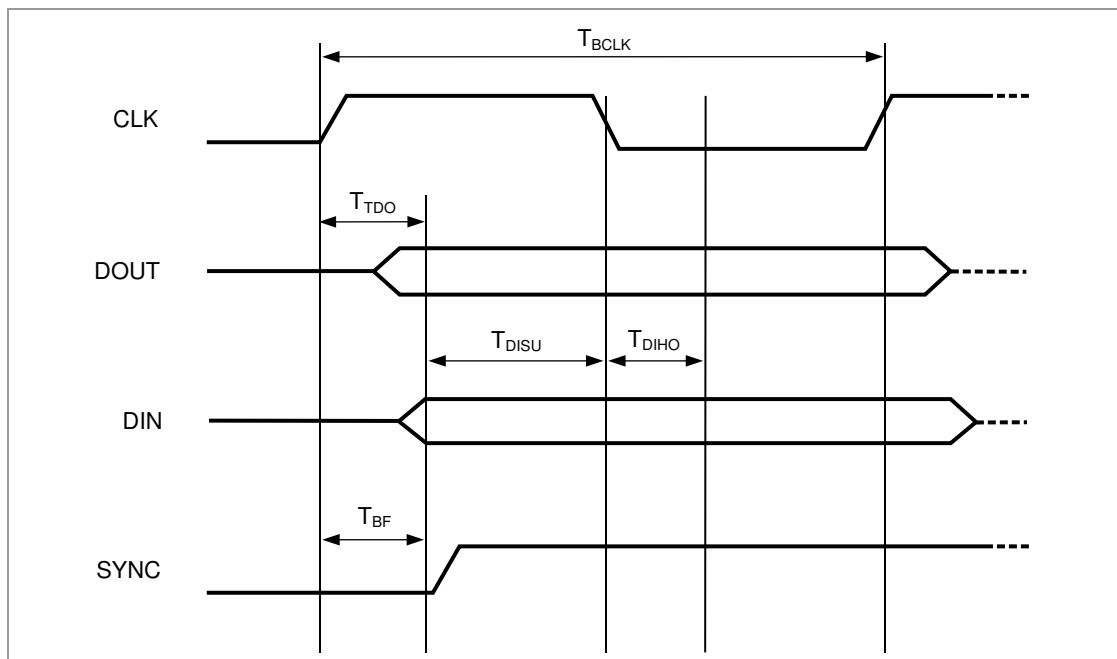
When in PCM slave mode, the interface has both signal PCM_CLK and signal PCM_SYNC as inputs, thereby letting another unit on the PCM bus generate the signals.

The PCM interface consists of up to four PCM slots (time-devided) preceded by a PCM sync signal. Each PCM slot can be either 8 bits or 16 bits wide. The slots can be separated in time, but they are not required to follow immediately after another. The timing is relative to signal PCM_SYNC.

PCM Timing Data: Master Mode

Symbol	Min.	Typ.	Max.	Units
F_{BCLK}		2/2.048		MHz
Duty Cycle $_{BCLK}$	0.4	0.5	0.6	
$T_{BCLK \text{ rise/fall}}$		3		ns
T_{DO}			15	ns
T_{DISU}	20			ns
T_{DIHO}	15			ns
T_{BF}			15	ns

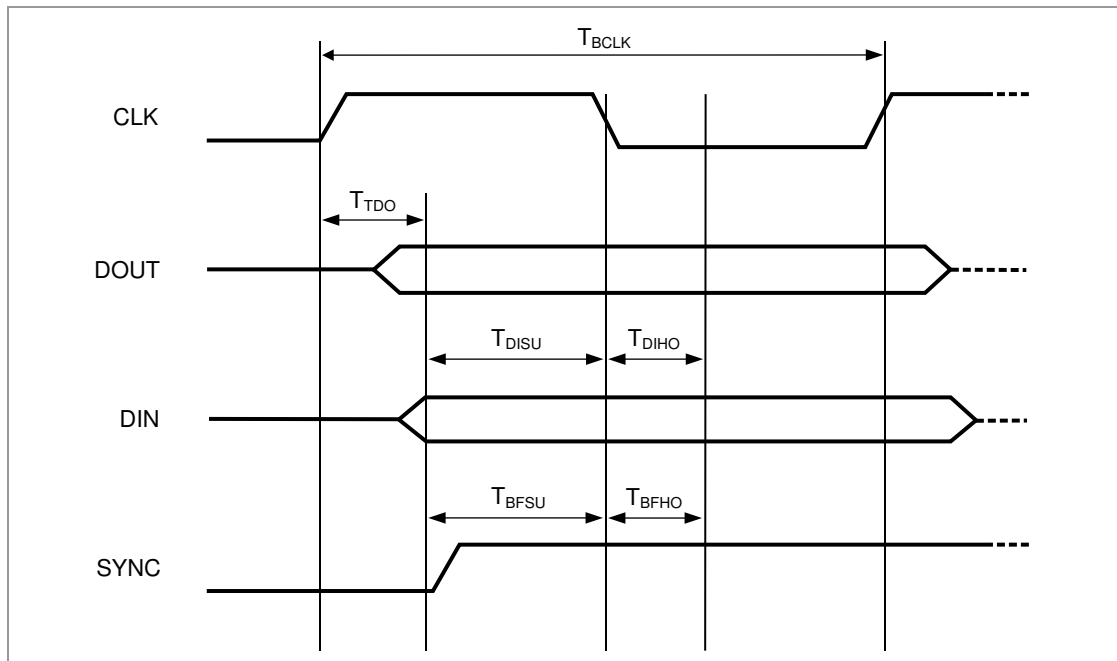
PCM Timing Diagram: Master Mode




PCM Timing Data: Slave Mode

Symbol	Min.	Typ.	Max.	Units
F_{BCLK}		2/2.048		MHz
Duty Cycle $_{BCLK}$	0.4	0.5	0.6	
T_{BCLK} rise/fall		3		ns
T_{DO}			30	ns
T_{DISU}	15			ns
T_{DIHO}	10			ns
T_{BFSU}	15			ns
T_{BFHO}	10			ns

PCM Timing Diagram: Slave Mode



4.3.8 Coexistence Interface



The Coexistence Interface pins are powered from the VIO voltage supply with 1.8 V.

For the DC specification please refer to ⇒ [4.3.1 Digital Pin Characteristics](#).

4.4 RF Electrical Characteristics

4.4.1 WLAN Radio Specification

Receive Mode


Parameter	Condition	Min.	Typ.	Max.	Units
RF Frequency Range	2.4 GHz: IEEE 802.11b/g/n	2 400		2 483.5	MHz
	5 GHz: IEEE 802.11a/n	4 900		5 925	MHz

Transmit Mode

Parameter	Condition	Min.	Typ.	Max.	Units
RF Frequency Range	2.4 GHz: IEEE 802.11b/g/n	2 400		2 483.5	MHz
	5 GHz: IEEE 802.11a/n	4 900		5 925	MHz

4.4.2 WLAN RF Characteristics

4.4.2.1 RF Characteristics for IEEE 802.11b



Assume $V_{DD2V2} = 2.2\text{ V}$, $V_{DD1V8} = 1.8\text{ V}$, $V_{IORF} = 3.3\text{ V}$, $V_{IOSD} = 3.3\text{ V}$, $V_{IO} = 1.8\text{ V}$ and $T_{amb} = 25\text{ }^{\circ}\text{C}$, if nothing else stated.

50 Ω terminal load connected to the RF connector.

Parameter	Condition	Min.	Typ.	Max.	Units
RF Frequency Range		2 400		2 483.5	MHz
Carrier Frequency Tolerance		-25		25	ppm
Transmit Output Power			16		dBm
Spectrum Mask	$f_c \pm 11\text{ MHz}$			-30	dBr
	$f_c \pm 22\text{ MHz}$			-50	
Power-on/Power-down Ramp				2	μs
RF Carrier Suppression				-15	dB
Error Vector Magnitude (EVM)	Peak			35	%

Parameter		Condition	Min.	Typ.	Max.	Units
Minimum Receive Sensitivity	1 Mbps (DSSS)	FER ≤ 8 %		-98		dBm
	2 Mbps (DSSS)	FER ≤ 8 %		-93	-80	dBm
	5.5 Mbps (CCK)	FER ≤ 8 %		-91		dBm
	11 Mbps (CCK)	FER ≤ 8 %		-89	-76	dBm
Maximum Input Level		FER ≤ 8 %			-10	dBm
Adjacent Channel Rejection		FER ≤ 8 %	35			dB

4.4.2.2 RF Characteristics for IEEE 802.11g



Assume $V_{DD2V2} = 2.2\text{ V}$, $V_{DD1V8} = 1.8\text{ V}$, $V_{IORF} = 3.3\text{ V}$, $V_{IOSD} = 3.3\text{ V}$, $V_{IO} = 1.8\text{ V}$ and $T_{amb} = 25\text{ °C}$, if nothing else stated.

50 Ω terminal load connected to the RF connector.

Parameter		Condition	Min.	Typ.	Max.	Units
RF Frequency Range			2 400		2 483.5	MHz
Carrier Frequency Tolerance			-25		25	ppm
Transmit Output Power	6 Mbps to 36 Mbps			+16		dBm
	48 Mbps to 54 Mbps			+15		dBm
Spectrum Mask	$f_c \pm 11\text{ MHz}$				-20	dBr
	$f_c \pm 20\text{ MHz}$				-28	dBr
	$f_c \pm 30\text{ MHz}$				-40	dBr
Transmitter Center Frequency Leakage					-15	dB
Transmitter Spectral Flatness			-4		4	dB
Constellation Error (EVM)	BPSK, CR 1/2 (6 Mbps)				-5	dB
	BPSK, CR 3/4 (9 Mbps)				-8	dB
	QPSK, CR 1/2 (12 Mbps)				-10	dB
	QPSK, CR 3/4 (18 Mbps)				-13	dB
	16-QAM, CR 1/2 (24 Mbps)				-16	dB
	16-QAM, CR 3/4 (36 Mbps)				-19	dB
	64-QAM, CR 2/3 (48 Mbps)				-22	dB
	64-QAM, CR 3/4 (54 Mbps)				-25	dB
Minimum Receive Sensitivity	BPSK, CR 1/2 (6 Mbps)	PER ≤ 10 %		-91	-82	dBm
	BPSK, CR 3/4 (9 Mbps)	PER ≤ 10 %		-90	-81	dBm
	QPSK, CR 1/2 (12 Mbps)	PER ≤ 10 %		-89	-79	dBm
	QPSK, CR 3/4 (18 Mbps)	PER ≤ 10 %		-87	-77	dBm
	16-QAM, CR 1/2 (24 Mbps)	PER ≤ 10 %		-84	-74	dBm
	16-QAM, CR 3/4 (36 Mbps)	PER ≤ 10 %		-81	-70	dBm
	64-QAM, CR 2/3 (48 Mbps)	PER ≤ 10 %		-77	-66	dBm

Parameter	Condition	Min.	Typ.	Max.	Units
	64-QAM, CR 3/4 (54 Mbps)	PER ≤ 10 %		-76	-65 dBm
Maximum Input Level		PER ≤ 10 %		-20	dBm
Adjacent Channel Rejection	BPSK, CR 1/2 (6 Mbps)	PER ≤ 10 %	16		dB
	64-QAM, CR 3/4 (54 Mbps)	PER ≤ 10 %	-1		dB

4.4.2.3 RF Characteristics for IEEE 802.11n (BW 20 MHz, 2.4 GHz)



Assume $V_{DD2V2} = 2.2\text{ V}$, $V_{DD1V8} = 1.8\text{ V}$, $V_{IORF} = 3.3\text{ V}$, $V_{IOSD} = 3.3\text{ V}$, $V_{IO} = 1.8\text{ V}$ and $T_{amb} = 25\text{ °C}$, if nothing else stated.

50 Ω terminal load connected to the RF connector.

Parameter	Condition	Min.	Typ.	Max.	Units
RF Frequency Range	2.4 GHz	2 400		2 483.5	MHz
Carrier Frequency Tolerance		-25		25	ppm
Transmit Output Power	MCS0 to MCS2		+15		dBm
	MCS3 to MCS4		+15		dBm
	MCS5 to MCS7		+14		dBm
Spectrum Mask	$f_c \pm 11\text{ MHz}$			-20	dBr
	$f_c \pm 20\text{ MHz}$			-28	dBr
	$f_c \pm 30\text{ MHz}$			-45	dBr
Transmitter Center Frequency Leakage				-15	dB
Transmitter Spectral Flatness		-4		4	dB
Constellation Error (EVM)	BPSK, CR 1/2 (MCS0)			-5	dB
	QPSK, CR 1/2 (MCS1)			-10	dB
	QPSK, CR 3/4 (MCS2)			-13	dB
	16-QAM, CR 1/2 (MCS3)			-16	dB
	16-QAM, CR 3/4 (MCS4)			-19	dB
	64-QAM, CR 2/3 (MCS5)			-22	dB
	64-QAM, CR 3/4 (MCS6)			-25	dB
Minimum Receive Sensitivity ²⁰	6.5 Mbps (MCS0)	PER ≤ 10 %		-90	-82 dBm
	13 Mbps (MCS1)	PER ≤ 10 %		-88	-79 dBm
	19.5 Mbps (MCS2)	PER ≤ 10 %		-86	-77 dBm
	26 Mbps (MCS3)	PER ≤ 10 %		-83	-74 dBm
	39 Mbps (MCS4)	PER ≤ 10 %		-80	-70 dBm

²⁰ The Minimum Sensitivity levels apply only to non-STBC modes, MCS 0~7, 800 ns LGI, and BCC.

Parameter		Condition	Min.	Typ.	Max.	Units
	52 Mbps (MCS5)	PER ≤ 10 %		-76	-66	dBm
	58.5 Mbps (MCS6)	PER ≤ 10 %		-74	-65	dBm
	65 Mbps (MCS7)	PER ≤ 10 %		-73	-64	dBm
Maximum Input Level		PER ≤ 10 %			-20	dBm
Adjacent Channel Rejection ²¹	65 Mbps (MCS7)	PER ≤ 10 %	-2			dB

²¹ The Adjacent Channel Rejection levels apply only to non-STBC modes, MCS 0~7, 800 ns LGI, and BCC.

4.4.2.4 RF Characteristics for IEEE 802.11n (BW 40 MHz, 2.4 GHz)



Assume $V_{DD2V2} = 2.2\text{ V}$, $V_{DD1V8} = 1.8\text{ V}$, $V_{IORF} = 3.3\text{ V}$, $V_{IOSD} = 3.3\text{ V}$, $V_{IO} = 1.8\text{ V}$ and $T_{amb} = 25\text{ }^{\circ}\text{C}$, if nothing else stated.

50 Ω terminal load connected to the RF connector.

Parameter	Condition	Min.	Typ.	Max.	Units	
RF Frequency Range	2.4 GHz	2 400		2 483.5	MHz	
Carrier Frequency Tolerance		-25		+25	ppm	
Transmit Output Power	MCS0 to MCS2		+14		dBm	
	MCS3 to MCS4		+14		dBm	
	MCS5 to MCS7		+13		dBm	
Spectrum Mask	$f_c \pm 21\text{ MHz}$			-20	dBr	
	$f_c \pm 40\text{ MHz}$			-28	dBr	
	$f_c \pm 60\text{ MHz}$			-45	dBr	
Transmitter Center Frequency Leakage				-20	dB	
Transmitter Spectral Flatness		-4		4	dB	
Constellation Error (EVM)	BPSK, CR 1/2 (MCS0)			-5	dB	
	QPSK, CR 1/2 (MCS1)			-10	dB	
	QPSK, CR 3/4 (MCS2)			-13	dB	
	16-QAM, CR 1/2 (MCS3)			-16	dB	
	16-QAM, CR 3/4 (MCS4)			-19	dB	
	64-QAM, CR 2/3 (MCS5)			-22	dB	
	64-QAM, CR 3/4 (MCS6)			-25	dB	
	64-QAM, CR 5/6 (MCS7)			-27	dB	
Minimum Receive Sensitivity ²⁰	13.5 Mbps (MCS0)	PER \leq 10 %		-86	-79	dBm
	27 Mbps (MCS1)	PER \leq 10 %		-85	-76	dBm
	40.5 Mbps (MCS2)	PER \leq 10 %		-83	-74	dBm
	54 Mbps (MCS3)	PER \leq 10 %		-80	-71	dBm
	81 Mbps (MCS4)	PER \leq 10 %		-77	-67	dBm
	108 Mbps (MCS5)	PER \leq 10 %		-73	-63	dBm
	121.5 Mbps (MCS6)	PER \leq 10 %		-71	-62	dBm
	135 Mbps (MCS7)	PER \leq 10 %		-69	-61	dBm
Maximum Input Level		PER \leq 10 %			-20	dBm
Adjacent Channel Rejection ²¹	135 Mbps (MCS7)	PER \leq 10 %	-2			dB

4.4.2.5 RF Characteristics for IEEE 802.11n (BW 20 MHz, 5 GHz)



Assume $V_{DD2V2} = 2.2\text{ V}$, $V_{DD1V8} = 1.8\text{ V}$, $V_{IORF} = 3.3\text{ V}$, $V_{IOSD} = 3.3\text{ V}$, $V_{IO} = 1.8\text{ V}$, and $T_{amb} = 25\text{ }^{\circ}\text{C}$, if nothing else stated.

50 Ω terminal load connected to the RF connector.

Parameter	Condition	Min.	Typ.	Max.	Units
RF Frequency Range	5 GHz U-NII-1	5 150		5 250	MHz
	5 GHz U-NII-2A	5 250		5 350	MHz
	5 GHz U-NII-2C	5 470		5 725	MHz
	5 GHz U-NII-3	5 725		5 825	MHz
Carrier Frequency Tolerance		-20		20	ppm
Transmit Output Power	MCS0 to MCS2		+15		dBm
	MCS3 to MCS4		+15		dBm
	MCS5 to MCS7		+14		dBm
Spectrum Mask	$f_c \pm 11\text{ MHz}$			-20	dBr
	$f_c \pm 20\text{ MHz}$			-28	dBr
	$f_c \pm 30\text{ MHz}$			-40	dBr
Transmitter Center Frequency Leakage				-15	dB
Transmitter Spectral Flatness		-4		4	dB
Constellation Error (EVM)	BPSK, CR 1/2 (MCS0)			-5	dB
	QPSK, CR 1/2 (MCS1)			-10	dB
	QPSK, CR 3/4 (MCS2)			-13	dB
	16-QAM, CR 1/2 (MCS3)			-16	dB
	16-QAM, CR 3/4 (MCS4)			-19	dB
	64-QAM, CR 2/3 (MCS5)			-22	dB
	64-QAM, CR 3/4 (MCS6)			-25	dB
	64-QAM, CR 5/6 (MCS7)			-27	dB
Minimum Receive Sensitivity ²⁰	6.5 Mbps (MCS0)	PER \leq 10 %	-89	-82	dBm
	13 Mbps (MCS1)	PER \leq 10 %	-88	-79	dBm
	19.5 Mbps (MCS2)	PER \leq 10 %	-85	-77	dBm
	26 Mbps (MCS3)	PER \leq 10 %	-82	-74	dBm
	39 Mbps (MCS4)	PER \leq 10 %	-79	-70	dBm
	52 Mbps (MCS5)	PER \leq 10 %	-74	-66	dBm
	58.5 Mbps (MCS6)	PER \leq 10 %	-73	-65	dBm
	65 Mbps (MCS7)	PER \leq 10 %	-71	-64	dBm
Maximum Input Level	PER \leq 10 %			-30	dBm
Adjacent Channel Rejection ²¹	65 Mbps (MCS7)	PER \leq 10 %	-2		dB

4.4.2.6 RF Characteristics for IEEE 802.11n (BW 40 MHz, 5 GHz)



Assume $V_{DD2V2} = 2.2\text{ V}$, $V_{DD1V8} = 1.8\text{ V}$, $V_{IORF} = 3.3\text{ V}$, $V_{IOSD} = 3.3\text{ V}$, $V_{IO} = 1.8\text{ V}$, and $T_{amb} = 25\text{ }^{\circ}\text{C}$, if nothing else stated.

50 Ω terminal load connected to the RF connector.

Parameter	Condition	Min.	Typ.	Max.	Units
RF Frequency Range	5 GHz U-NII-1	5 150		5 250	MHz
	5 GHz U-NII-2A	5 250		5 350	MHz
	5 GHz U-NII-2C	5 470		5 725	MHz
	5 GHz U-NII-3	5 725		5 825	MHz
Carrier Frequency Tolerance		-20		20	ppm
Transmit Output Power	MCS0 to MCS2		+14		dBm
	MCS3 to MCS4		+14		dBm
	MCS5 to MCS7		+13		dBm
Spectrum Mask	$f_c \pm 21\text{ MHz}$			-20	dBr
	$f_c \pm 40\text{ MHz}$			-28	dBr
	$f_c \pm 60\text{ MHz}$			-40	dBr
Transmitter Center Frequency Leakage				-20	dB
Transmitter Spectral Flatness		-4		4	dB
Constellation Error (EVM)	BPSK, CR 1/2 (MCS0)			-5	dB
	QPSK, CR 1/2 (MCS1)			-10	dB
	QPSK, CR 3/4 (MCS2)			-13	dB
	16-QAM, CR 1/2 (MCS3)			-16	dB
	16-QAM, CR 3/4 (MCS4)			-19	dB
	64-QAM, CR 2/3 (MCS5)			-22	dB
	64-QAM, CR 3/4 (MCS6)			-25	dB
	64-QAM, CR 5/6 (MCS7)			-27	dB
Minimum Receive Sensitivity ²⁰	13.5 Mbps (MCS0)	PER \leq 10 %	-86	-79	dBm
	27 Mbps (MCS1)	PER \leq 10 %	-85	-76	dBm
	40.5 Mbps (MCS2)	PER \leq 10 %	-82	-74	dBm
	54 Mbps (MCS3)	PER \leq 10 %	-79	-71	dBm
	81 Mbps (MCS4)	PER \leq 10 %	-76	-67	dBm
	108 Mbps (MCS5)	PER \leq 10 %	-72	-63	dBm
	121.5 Mbps (MCS6)	PER \leq 10 %	-70	-62	dBm
	135 Mbps (MCS7)	PER \leq 10 %	-69	-61	dBm
Maximum Input Level	PER \leq 10 %			-30	dBm
Adjacent Channel Rejection ²¹	135 Mbps (MCS7)	PER \leq 10 %	-2		dB

4.4.2.7 RF Characteristics for IEEE 802.11a



Assume $V_{DD2V2} = 2.2\text{ V}$, $V_{DD1V8} = 1.8\text{ V}$, $V_{IORF} = 3.3\text{ V}$, $V_{IOSD} = 3.3\text{ V}$, $V_{IO} = 1.8\text{ V}$, and $T_{amb} = 25\text{ }^{\circ}\text{C}$, if nothing else stated.

50 Ω terminal load connected to the RF connector.

Parameter	Condition	Min.	Typ.	Max.	Units	
RF Frequency Range	5 GHz U-NII-1	5 150		5 250	MHz	
	5 GHz U-NII-2A	5 250		5 350	MHz	
	5 GHz U-NII-2C	5 470		5 725	MHz	
	5 GHz U-NII-3	5 725		5 825	MHz	
Carrier Frequency Tolerance		-20		20	ppm	
Transmit Output Power	6 Mbps to 36 Mbps		+16		dBm	
	48 Mbps to 54 Mbps		+15		dBm	
Spectrum Mask	$f_c \pm 11\text{ MHz}$			-20	dBr	
	$f_c \pm 20\text{ MHz}$			-28	dBr	
	$f_c \pm 30\text{ MHz}$			-40	dBr	
Transmitter Center Frequency Leakage				-15	dB	
Transmitter Spectral Flatness		-4		4	dB	
Constellation Error (EVM)	BPSK, CR 1/2 (6 Mbps)			-5	dB	
	BPSK, CR 3/4 (9 Mbps)			-8	dB	
	QPSK, CR 1/2 (12 Mbps)			-10	dB	
	QPSK, CR 3/4 (18 Mbps)			-13	dB	
	16-QAM, CR 1/2 (24 Mbps)			-16	dB	
	16-QAM, CR 3/4 (36 Mbps)			-19	dB	
	64-QAM, CR 2/3 (48 Mbps)			-22	dB	
	64-QAM, CR 3/4 (54 Mbps)			-25	dB	
Minimum Receive Sensitivity	BPSK, CR 1/2 (6 Mbps)	PER $\leq 10\%$		-90	-82	dBm
	BPSK, CR 3/4 (9 Mbps)	PER $\leq 10\%$		-90	-81	dBm
	QPSK, CR 1/2 (12 Mbps)	PER $\leq 10\%$		-89	-79	dBm
	QPSK, CR 3/4 (18 Mbps)	PER $\leq 10\%$		-86	-77	dBm
	16-QAM, CR 1/2 (24 Mbps)	PER $\leq 10\%$		-84	-74	dBm
	16-QAM, CR 3/4 (36 Mbps)	PER $\leq 10\%$		-80	-70	dBm
	64-QAM, CR 2/3 (48 Mbps)	PER $\leq 10\%$		-76	-66	dBm
	64-QAM, CR 3/4 (54 Mbps)	PER $\leq 10\%$		-75	-65	dBm
Maximum Input Level	PER $\leq 10\%$			-30	dBm	
Adjacent Channel Rejection	BPSK, CR 1/2 (6 Mbps)	PER $\leq 10\%$	16		dB	
	64-QAM, CR 3/4 (54 Mbps)	PER $\leq 10\%$	-1		dB	

4.4.3 Bluetooth RF Characteristics



Assume $V_{DD2V2} = 2.2\text{ V}$, $V_{DD1V8} = 1.8\text{ V}$, $V_{IORF} = 3.3\text{ V}$, $V_{IOSD} = 3.3\text{ V}$, $V_{IO} = 1.8\text{ V}$, and $T_{amb} = 25\text{ }^{\circ}\text{C}$, if nothing else stated.

50 Ω terminal load connected to the RF connector.

4.4.3.1 Receiver Section RF Characteristics

Parameter	Condition	Min.	Typ.	Max.	Units	
RF Frequency Range		2 400		2 483.5	MHz	
Interference Performance (Basic Rate)	GFSK	C/I (Co-channel)		11	dB	
		C/I (1 MHz)		0	dB	
C/I Ratio	RSL = -67 dBm BER \leq 0.1 %	C/I (2 MHz)		-30	dB	
		C/I (3 MHz)		-40	dB	
		C/I (Image)		-9	dB	
		C/I (Image \pm 1 MHz)		-20	dB	
		Interference Performance (Enhanced Data Rate)	$\pi/4$ -DQPSK			13
C/I Ratio	RSL = -67 dBm BER \leq 0.01 %	C/I (1 MHz)		0	dB	
		C/I (2 MHz)		-30	dB	
C/I Ratio	8-DPSK	C/I (3 MHz)		-40	dB	
		C/I (Image)		-7	dB	
		C/I (Image \pm 1 MHz)		-20	dB	
		C/I (Co-channel)		21	dB	
		C/I (1 MHz)		5	dB	
C/I Ratio	RSL = -67 dBm BER \leq 0.01 %	C/I (2 MHz)		-25	dB	
		C/I (3 MHz)		-33	dB	
		C/I (Image)		0	dB	
		C/I (Image \pm 1 MHz)		-13	dB	
		Interference Performance (Low Energy)	GFSK			21
C/I Ratio	RSL = -67 dBm BER \leq 0.1 %	C/I (1 MHz)		15	dB	
		C/I (2 MHz)		-17	dB	
		C/I (3 MHz)		-27	dB	
		C/I (Image)		-9	dB	
		C/I (Image \pm 1 MHz)		-15	dB	
Minimum Receive Sensitivity	BR, DH1	BER \leq 0.1 %		-94	-70	dBm
	EDR, 2DH1	BER \leq 0.01 %		-90	-70	dBm
	LE, GFSK	BER \leq 0.1 %		-90	-70	dBm

Parameter	Condition	Min.	Typ.	Max.	Units
Out-of-band Blocking (Basic Rate)	GFSK	30 MHz: 2 000 MHz		-10	dBm
		2 GHz: 2.399 GHz		-27	dBm
Interfering Signal Power	RSL = -67 dBm BER ≤ 0.1 %	2.484 GHz: 3 GHz		-27	dBm
		3 GHz: 12.75 GHz		-10	dBm
Out-of-band Blocking (Low Energy)	GFSK	30 MHz: 2 000 MHz		-30	dBm
		2.003 GHz: 2.399 GHz		-35	dBm
Interfering Signal Power	RSL = -67 dBm BER ≤ 0.1 %	2.484 GHz: 2.997 GHz		-35	dBm
		3 GHz: 12.75 GHz		-30	dBm
RSSI Range	Resolution = 1 dB		-90	0	dBm

4.4.3.2 Transmitter Section RF Characteristics

Parameter	Condition	Min.	Typ.	Max.	Units
RF Frequency Range		2 400		2 483.5	MHz
Maximum Output Power	Basic Rate (BR)		+8		dBm
	Enhanced Data Rate (EDR)		+6		dBm
	Low Energy (LE)		+6		dBm
Gain Range	Gain control		30		dB
Gain Resolution			0.5		dB
Spurious Emission (BR) (in-band)	± 500 kHz			-20	dBc
	± 2 MHz, M-N = 2			-20	dBm
	± 3 MHz or greater, M-N ≥ 3			-40	dBm
Spurious Emission (EDR) (in-band)	± 1 MHz			-26	dBc
	± 1.5 MHz			-20	dBm
	± 2.5 MHz			-40	dBm
Spurious Emission (LE) (in-band)	1 Mbps	± 2 MHz, M-N = 2		-20	dBm
		± 3 MHz or greater, M-N ≥ 3		-30	dBm

4.5 Reliability Tests

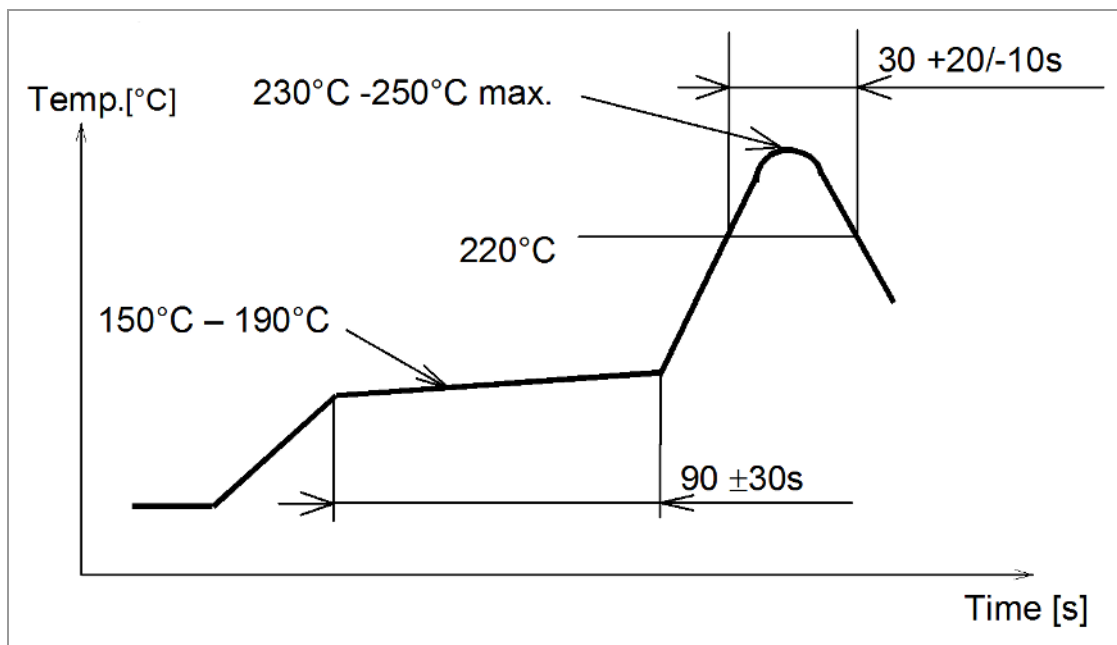
The measurement should be done after the test device has been exposed to room temperature and humidity for one hour.

No.	Item	Limit	Condition
1	Vibration test	Electrical parameter should be in specification	Freq.: 10 Hz~50 Hz; Amplitude: 1.5 mm; 20 min./cycle, 1 h each of XYZ axis
2	Shock test	See above	Dropped 3 times onto hard wood from a height of 1 m
3	Heat cycle test	See above	-40 °C for 30 min. and 85 °C for 30 min.; each temperature 300 cycles
4	Moisture test	See above	60 °C, 90 % RH, 300 h
5	Low temp. test	See above	-40 °C, 300 h
6	High temp. test	See above	85 °C, 300 h

4.6 Recommended Soldering Profile



- Reflow permissible cycle: 2
- Opposite side reflow is prohibited due to module weight
- More than 75 percent of the soldering area shall be coated by solder
- The soldering profiles should be adhered to in order to prevent electrical or mechanical damage
- Soldering profile assumes lead-free soldering



5 Cautions



Failure to follow the guidelines set forth in this document may result in degrading of the module functions and damage to the module.

5.1 Design Notes



Radio requires a RF ground plane on the rest of the Printed Circuit Board (PCB) area. This can be located on any layer of the PCB. For best performance, extend the RF ground plane the entire length of your board. Connect all ground pins and do not notch the ground plane around the module. The bottom of the module is grounded. So be careful of vias or conductive traces located under the modules that are not soldered masked to prevent shorting.

Keep metallic components, connectors, copper traces, internal layers, and ground planes away from the antenna area in 3D space!

1. Follow the conditions written in this specification, especially the control signals of this module.
2. The supply voltage should abide by the maximum ratings (⇒ [4.2 Absolute Maximum Ratings](#)).
3. The supply voltage must be free of AC ripple voltage (for example from a battery or a low noise regulator output). For noisy supply voltages, provide a decoupling circuit (for example a ferrite in series connection and a bypass capacitor to ground of at least 47 μF directly at the module).
4. This module should not be mechanically stressed when installed.
5. Keep this module away from heat. Heat is the major cause of decreasing the life time of these modules.
6. Avoid assembly and use of the target equipment in conditions where the module temperature may exceed the maximum tolerance.
7. Keep this module away from other high frequency circuits.
8. Refer to the recommended pattern when designing a board.

5.2 Installation Notes

1. Reflow soldering is possible twice based on the conditions set forth in ⇒ [4.6 Recommended Soldering Profile](#). Set up the temperature at the soldering portion of this module according to this reflow profile.
2. Carefully position the module so that the heat will not burn into printed circuit boards or affect other components that are susceptible to heat.
3. Carefully locate the module, to avoid an increased temperature caused by heat generated by neighboring components.

4. If a vinyl-covered wire comes into contact with the module, the wire cover will melt and generate toxic gas, damaging the insulation. Never allow contact between a vinyl cover and these modules to occur.
5. This module should not be mechanically stressed or vibrated when reflowed.
6. To repair the board by hand soldering, follow the conditions set forth in this chapter.
7. Do not wash this product.
8. Pressing on parts of the metal cover or fastening objects to the metal will cause damage to the module.

5.3 Usage Condition Notes

1. Take measures to protect the module against static electricity.
If pulses or transient loads (a large load, which is suddenly applied) are applied to the modules, check and evaluate their operation before assembly of the final products.
2. Do not use dropped modules.
3. Do not touch, damage, or soil the pins.
4. Follow the recommended condition ratings about the power supply applied to this module.
5. Electrode peeling strength: Do not apply a force of more than 4.9 N in any direction on the soldered module.
6. Pressing on parts of the metal cover or fastening objects to the metal cover will cause damage.
7. These modules are intended for general purpose and standard use in general electronic equipment, such as home appliances, office equipment, information, and communication equipment.

5.4 Storage Notes

1. The module should not be stressed mechanically during storage.
2. Do not store these modules in the following conditions or the performance characteristics of the module, such as RF performance will be adversely affected:
 - Storage in salty air or in an environment with a high concentration of corrosive gas, such as Cl₂, H₂S, NH₃, SO₂, or NO_x,
 - Storage in direct sunlight,
 - Storage in an environment where the temperature may be outside the range of 5 °C to 35 °C, or where the humidity may be outside the 45 % to 85 % range,
 - Storage of the modules for more than one year after the date of delivery storage period: Please check the adhesive strength of the embossed tape and soldering after 6 months of storage.
3. Keep this module away from water, poisonous gas, and corrosive gas.
4. This module should not be stressed or shocked when transported.

5. Follow the specification when stacking packed crates (max. 10).

5.5 Safety Cautions

These specifications are intended to preserve the quality assurance of products and individual components.

Before use, check and evaluate the operation when mounted on your products. Abide by these specifications without deviation when using the products. These products may short-circuit. If electrical shocks, smoke, fire, and/or accidents involving human life are anticipated when a short circuit occurs, provide the following failsafe functions as a minimum:

1. Ensure the safety of the whole system by installing a protection circuit and a protection device.
2. Ensure the safety of the whole system by installing a redundant circuit or another system to prevent a single fault causing an unsafe status.

5.6 Other Cautions

1. Do not use the module for other purposes than those listed in section [⇒ 5.3 Usage Condition Notes](#)
2. Be sure to provide an appropriate fail-safe function on your product to prevent any additional damage that may be caused by the abnormal function or the failure of the module.
3. This module has been manufactured without any ozone chemical controlled under the Montreal Protocol.
4. These modules are not intended for use under the special conditions shown below. Before using these modules under such special conditions, carefully check their performance and reliability under the said special conditions to determine whether or not they can be used in such a manner:
 - In liquid, such as water, salt water, oil, alkali, or organic solvent, or in places where liquid may splash,
 - In direct sunlight, outdoors, or in a dusty environment,
 - In an environment where condensation occurs,
 - In an environment with a high concentration of harmful gas (e.g. salty air, HCl, Cl₂, SO₂, H₂S, NH₃, and NO_x).
5. If an abnormal voltage is applied due to a problem occurring in other components or circuits, replace these modules with new modules, because they may not be able to provide normal performance even if their electronic characteristics and appearances appear satisfactory.



Please refer to the Panasonic website for further information [⇒ 7.2.2 Product Information](#).

5.7 Restricted Use

5.7.1 Life Support Policy

This Panasonic Industrial Devices Europe GmbH product is not designed for use in life support appliances, devices, or systems where malfunction can reasonably be expected to result in a significant personal injury to the user, or as a critical component in any life support device or system whose failure to perform can be reasonably expected to cause the failure of the life support device or system, or to affect its safety or effectiveness.

Panasonic customers using or selling these products for use in such applications do so at their own risk and agree to fully indemnify Panasonic Industrial Devices Europe GmbH for any damages resulting.

5.7.2 Restricted End Use

This Panasonic Industrial Devices Europe GmbH product is not designed for any restricted activity that supports the development, production, handling usage, maintenance, storage, inventory or proliferation of any weapons or military use.

Transfer, export, re-export, usage or reselling of this product to any destination, end-user or any end-use prohibited by the European Union, United States or any other applicable law is strictly prohibited.

6 Regulatory and Certification Information

6.1 Federal Communications Commission (FCC) for US

6.1.1 FCC Notice



The PAN9026, including the ceramic antenna (ENWF9201A1EF and ENWF9208A1EF), and the antennas, which are listed in [⇒ 6.1.5 Approved Antenna List](#), complies with Part 15 of the FCC Rules.

The device meets the requirements for modular transmitter approval as detailed in FCC public Notice DA00-1407. The transmitter operation is subject to the following two conditions:

The device meets the requirements for modular transmitter approval as detailed in FCC public Notice DA00-1407. The transmitter operation is subject to the following two conditions:

1. This device may not cause harmful interference, and
2. This device must accept any interference received, including interference that may cause undesired operation.

The FCC identifier for ENWF9201A1EF is **FCC ID: T7V-9026**.

The FCC identifier for ENWF9208A1EF is **FCC ID: T7V-9026**.

6.1.2 Caution



The FCC requires the user to be notified that any changes or modifications made to this device that are not expressly approved by Panasonic Industrial Devices Europe GmbH may void the user's authority to operate the equipment.



This equipment has been tested and found to comply with the limits for a Class B digital device, pursuant to Part 15 of the FCC Rules.

These limits are designed to provide reasonable protection against harmful interference in a residential installation. This equipment generates uses and can radiate radio frequency energy and, if not installed and used in accordance with the instructions, may cause harmful interference to radio communications.

There is no guarantee that interference will not occur in a particular installation. If this equipment does cause harmful interference to radio or television reception, which can be determined by turning the equipment off and on.



It is recommended to try to correct the interference by one or more of the following measures:

- Reorient or relocate the receiving antenna.
- Increase the separation between the equipment and receiver.
- Connect the equipment into an outlet on a circuit different from that to which the receiver is connected.
- Consult the dealer or an experienced radio/TV technician for help.

6.1.3 Label Requirements



The OEM must ensure that FCC labelling requirements are met. This includes a clearly visible label (laser marking) on the outside of the OEM enclosure specifying the appropriate Panasonic FCC identifier for this product as well as the FCC Notice above.

The FCC identifier for model ENWF9201A1EF is **FCC ID: T7V-9026**.

The FCC identifier for model ENWF9208A1EF is **FCC ID: T7V-9026**.

This FCC identifier is valid for the PAN9026. The end product must in any case be labelled on the exterior with:

“Contains FCC ID: T7V-9026”.

6.1.4 Antenna Warning

This antenna warning refers to the test device with the model number ENWF9201A1EF and ENWF9208A1EF in bottom pad mode ⇒ [RF-Switch Pins Function](#).

The device is tested with a standard SMA connector and with the antenna listed below. When integrated into the OEM’s product, these fixed antennas require installation preventing end users from replacing them with non-approved antennas. Any antenna not in the following table must be tested to comply with FCC Section 15.203 for unique antenna connectors and with Section 15.247 for emissions. The FCC identifier for the device with the antenna listed in ⇒ [6.1.5 Approved Antenna List](#) is the same (**FCC ID: T7V-9026**).

6.1.5 Approved Antenna List

Item	Part Number	Manufacturer	Type	Polarization	Frequency Band	Gain (dBi)	
						Min	Peak
1	ANT162442DT-2001A2	TDK	Chip Antenna	Linear	2.400 - 2.484 GHz	-36	2.1
					5.150 - 5.850 GHz	-42	1.5

6.1.6 RF Exposure



To comply with FCC RF Exposure requirements, the OEM must ensure that only antennas from the Approved Antenna List are installed ⇒ [6.1.5 Approved Antenna List](#).

The preceding statement must be included as a caution statement in manuals for products operating with the approved antennas in the previous table to alert users on FCC RF Exposure compliance.

Any notification to the end user of installation or removal instructions about the integrated radio module is not allowed.

The radiated output power of the PAN9026 with a mounted ceramic chip antenna (**FCC ID: T7V-9026** for model ENWF9201A1EF and ENWF9208A1EF) are fulfilled for mobile configuration. The installation of the module is restricted to mobile host devices. The PAN9026 shall be used in such a manner that the potential for human contact during normal operation is minimized.

End users may not be provided with the module installation instructions. OEM integrators and end users must be provided with transmitter operating conditions for satisfying RF exposure compliance.

6.1.7 Integration Instructions

This chapter gives integration instructions for host product manufacturers according to KDB 996369 D03 OEM Manual v01.

Section	Topic and Comment	
2.2	List of applicable FCC rules	
	47 CFR Section	Part 15C
	Frequency Band (MHz)	2 400 to 2 483.5
	Systems	Digital Transmission Systems operating within the 2 400 - 2 483.5 MHz Band
	Reference / Requirement	15.247(a)(2), 15.247(b)(1), 15.207, 15.247(d), 15.247(e)
	Complied Module M/N	ENWF9201A1EF, ENWF9208A1EF
	47 CFR Section	Part 15C
	Frequency Band (MHz)	2 400 to 2 483.5
	Systems	Frequency Hopping Systems operating within the 2 400 - 2 483.5 MHz Band
	Reference / Requirement	15.247(a)(1), 15.247(a)(1)(iii), 15.247(b)(1), 15.207, 15.247(d)
	Complied Module M/N	ENWF9201A1EF, ENWF9208A1EF
	47 CFR Section	Part 15E

	Systems	Unlicensed National Information Infrastructure Devices in the 5 GHz Bands
	Reference Method	KDB 905462 D02 v02
	Reference / Requirement	15E.407(h)(2)
	Complied Module M/N	ENWF9201A1EF
2.3	Summarize the specific operational use conditions	
	Please refer to sections ⇒ 5 Cautions , 5.3 Usage Condition Notes , and 6.1.5 Approved Antenna List .	
2.4	Limited module procedures	
	Not applicable, the module has a single-modular transmitter approval.	
2.5	Trace antenna designs	
	Not applicable, the module has a ceramic chip antenna. For guidance regarding the PCB layout requirements for module integration refer to the Design Guide ⇒ 7.2.2 Product Information .	
2.6	RF exposure considerations	
	Mobile application, the end customer has to assure that the device has a distance of more than 20 cm from the human body under all circumstances.	
2.7	Antennas	
	Please refer to sections ⇒ 6.1.4 Antenna Warning and 6.1.5 Approved Antenna List .	
2.8	Label and compliance information	
	Please refer to section ⇒ 6.1.3 Label Requirements .	
2.9	Information on test modes and additional testing requirements	
	The documents for integration guidance and compliance testing are available here ⇒ 7.2.2 Product Information .	
2.10	Additional testing, Part 15 Subpart B disclaimer	
	The single-modular transmitter is FCC authorized for the specific rule parts listed at section ⇒ List of applicable FCC rules .	
	The host product manufacturer needs to also consider the FCC requirements for certified modular transmitter being used in the host product and maintain documentation on how the host product with the certified modular transmitter complies with the FCC rules. Host product manufacturers are responsible to follow the integration guidance and to perform a limited set of transmitter module verification testing, to ensure the end product is in compliance with the FCC rules. Also host product manufacturers are responsible for all additional equipment authorization and testing for technical requirements not covered by the module grant (e.g., unintentional radiator Part 15 Subpart B requirements, or transmitters used in the host that are not certified modules).	

6.2 Innovation, Science, and Economic Development (ISED) for Canada

English

PAN9026 and versions are licensed to meet the regulatory requirements of ISED.

License for M/N: ENWF9203A1EF: **IC: 216Q-9026**

License for M/N: ENWF9208A1EF: **IC: 216Q-9026**

Manufacturers of mobile, fixed, or portable devices incorporating this module are advised to clarify any regulatory questions and ensure compliance for SAR and/or RF exposure limits. Users can obtain Canadian information on RF exposure and compliance from www.ic.gc.ca.

This device has been designed to operate with the antennas listed in ⇒ [6.1.5 Approved Antenna List](#), having a maximum gain of 2.1 dBi for 2.4 GHz and 1.5 dBi for 5 GHz. Antennas not included in this list or having a gain greater than 2.1 dBi for 2.4 GHz and 1.5 dBi for 5 GHz are strictly prohibited for use with this device. The required antenna impedance is 50 Ω. The antenna used for this transmitter must not be co-located or operating in conjunction with any other antenna or transmitter.

French

PAN9026 (et ses versions) est garanti conforme aux dispositions réglementaires d'Innovation, Sciences et Développement économique (ISDE).

Licence pour M/N: ENWF9203A1EF: **IC: 216Q-9026**

Licence pour M/N: ENWF9208A1EF: **IC: 216Q-9026**

Il est recommandé aux fabricants d'appareils fixes, mobiles ou portables de consulter la réglementation en vigueur et de vérifier la conformité de leurs produits relativement aux limites d'exposition aux rayonnements radiofréquence ainsi qu'au débit d'absorption spécifique maximum autorisé.

Des informations pour les utilisateurs sur la réglementation Canadienne concernant l'exposition aux rayonnements RF sont disponibles sur le site www.ic.gc.ca.

Ce produit a été développé pour fonctionner spécifiquement avec les antennes listées dans le tableau ⇒ [6.1.5 Approved Antenna List](#), présentant un gain maximum de 2.1 dBi pour 2.4 GHz et 1.5 dBi pour 5 GHz. Des antennes autres que celles listées ici, ou présentant un gain supérieur à 2.1 dBi pour 2.4 GHz et 1.5 dBi pour 5 GHz ne doivent en aucune circonstance être utilisées en combinaison avec ce produit. L'impédance des antennes compatibles est 50 Ω.

L'antenne utilisée avec ce produit ne doit ni être située à proximité d'une autre antenne ou d'un autre émetteur, ni être utilisée conjointement avec une autre antenne ou un autre émetteur.

6.2.1 Radio Standards Specification RSS-247 Issue 2

The Radio Standards Specification RSS-247, Issue 2, Digital Transmission Systems (DTSs), Frequency Hopping Systems (FHSs) and License-Exempt Local Area Network (LE-LAN) Devices, replaces RSS-247, Issue 1, dated May 2015. It sets out certification requirements for radio apparatus operating in the bands 2 400 MHz to 2 483.5 MHz and 5 725 MHz to 5 850 MHz employing frequency hopping, digital modulation and/or a combination (hybrid) of both techniques. It also includes license exempt local area network (LE-LAN) devices operating in the bands 5 150 MHz to 5 250 MHz, 5 250 MHz to 5 350 MHz, 5 470 MHz to 5 725 MHz and 5 725 MHz to 5 850 MHz as specified in SP-5 150 MHz.

6.2.1.1 General

Equipment covered by the standard RSS-247 is classified as Category I equipment. Either a technical acceptance certificate (TAC) issued by the Certification and Engineering Bureau of Innovation, Science and Economic Development Canada (ISED) or a certificate issued by a certification body (CB) is required.

6.2.1.2 Certification Requirements

RSS-247 shall be used in conjunction with RSS-Gen, General Requirements for Compliance of Radio Apparatus, for general specifications and information relevant to the equipment for which this standard applies. Equipment certified under the standard is required to comply with the provisions in RSS-Gen with respect to emissions falling within restricted frequency bands. These restricted frequency bands are listed in RSS-Gen.

6.2.1.3 Measurement Method

In addition to the requirements in RSS-Gen and the requirements of the standard RSS-247, the method for measuring DTS devices is provided in ANSI C63.10.

6.2.1.4 FHS and DTS operating in the bands 2 400 MHz to 2 483.5 MHz

This section applies to frequency hopping systems (FHSs) in the bands 2 400 MHz to 2 483.5 MHz and 5 725 MHz to 5 850 MHz and digital transmission systems (DTSs) in the band 2 400 MHz to 2 483.5 MHz. Systems in these bands can be frequency hopping, digital transmission and/or a combination (hybrid) of both types. The digital transmission technology of DTSs or hybrid systems operating in the band 5 725 MHz to 5 850 MHz shall comply with the requirement in section Technical requirements for license-exempt local area network devices and digital transmission systems operating in the 5 GHz band.

RSS-247 Section	5.1
Frequency Band (MHz)	2 400 to 2 483.5
Systems	Frequency Hopping Systems
Systems out of Scope	FHS operating in the band 5 725 MHz to 5 850 MHz Fixed point-to-point systems
Requirements	The maximum peak conducted output power shall not exceed W if the hopset uses 75 or more hopping channels; the maximum peak conducted output power shall not exceed 0.125 W if the hopset uses less than 75 hopping channels.
Complied Module M/N	ENWF9203A1EF, ENWF9208A1EF

RSS-247 Section	5.2
Frequency Band (MHz)	2 400 to 2 483.5
Systems	Digital Transmission Systems
Systems out of Scope	-
Requirements	The minimum 6 dB bandwidth shall be 500 kHz. The transmitter power spectral density conducted from the transmitter to the antenna shall not be greater than 8 dBm in any 3 kHz band during any time interval of continuous transmission. The maximum peak conducted output power shall not exceed 1 W. The e.i.r.p. shall not exceed 4 W.
Complied Module M/N	ENWF9203A1EF, ENWF9208A1EF

RSS-247 Section	5.3
Frequency Band (MHz)	2 400 to 2 483.5
Systems	Hybrid Systems
Systems out of Scope	Hybrid devices operating in the band 5 725 MHz to 5 850 MHz.
Requirements	With the digital transmission operation of the hybrid system turned off, the frequency hopping operation shall have an average time of occupancy on any frequency not exceeding 0.4 seconds within a duration in seconds equal to the number of hopping frequencies multiplied by 0.4. With the frequency hopping turned off, the digital transmission operation shall comply with the power spectral density requirements for digital modulation systems set out in section "5.2" ⇒ RSS-247 Section .
Complied Module M/N	ENWF9203A1EF, ENWF9208A1EF

RSS-247 Section	5.4
Frequency Band (MHz)	2 400 to 2 483.5
Systems	FHSs operating in the band 2 400 to 2 483.5 MHz. DTSs employing digital modulation techniques operating in the band 2 400 MHz to 2 483.5 MHz.
Systems out of Scope	FHSs operating in the band 902 MHz to 928 MHz and 5 725 MHz to 5 850 MHz. DTSs employing digital modulation techniques operating in the bands 902 MHz to 928 MHz. Fixed point-to-point systems in the bands 2 400 MHz to 2 483.5 MHz and 5 725 MHz to 5 850 MHz. Transmitters operating in the band 2 400 MHz to 2 483.5 MHz, may employ antenna systems that emit multiple directional beams simultaneously or sequentially.
Requirements	Transmitter Output Power: The maximum peak conducted output power shall not exceed 1 W if the hopset uses 75 or more hopping channels; the maximum peak conducted output power shall not exceed 0.125 W if the hopset uses less than 75 hopping channels. The e.i.r.p. shall not exceed 4 W. For DTSs employing digital modulation techniques operating in the band 2 400 MHz to 2 483.5 MHz, the maximum peak conducted output power shall not exceed W. The e.i.r.p. shall not exceed 4 W.
Complied Module M/N	ENWF9203A1EF, ENWF9208A1EF

RSS-247 Section	5.5
Frequency Band (MHz)	2 400 to 2 483.5
System	In any 100 kHz bandwidth outside the frequency band in which the spread spectrum or digitally modulated device is operating ...
System out of Scope	-
Requirements	Unwanted Emissions: In any 100 kHz bandwidth outside the frequency band in which the spread spectrum or digitally modulated device is operating, the RF power that is produced shall be at least 20 dB below that in the 100 kHz bandwidth within the band that contains the highest level of the desired power, based on either an RF conducted or a radiated measurement, provided that the transmitter demonstrates compliance with the peak conducted power limits. If the transmitter complies with the conducted power limits based on the use of root-mean-square averaging over a time interval the attenuation required shall be 30 dB instead of 20 dB. Attenuation below the general field strength limits specified in RSS-Gen is not required.
Complied Module M/N	ENWF9203A1EF, ENWF9208A1EF

6.2.1.5 Requirements for LE-LAN and DTS operating in the 5 GHz Band

The section provides standards for Licence-Exempt Local Area Network (LE-LAN) devices operating in the bands:

- 5 150 to 5 250 MHz,
- 5 250 to 5 350 MHz,
- 5 470 to 5 600 MHz,
- 5 650 to 5 725 MHz,
- 5 725 to 5 850 MHz
- For DTSs operating in the band 5 725 MHz to 5 850 MHz that employ digital modulation technology, but are not designed for LE-LAN operation.

Devices with occupied bandwidths which overlap different bands shall comply with all operational requirements for each band.

RSS-247 Section	6.2.1
Frequency Band (MHz)	5 150 to 5 250
Device Type	LE-LAN devices are restricted to indoor operation only.
Devices out of Scope	OEM devices installed in vehicles.
Power Limits	Maximum e.i.r.p. shall not exceed 200 mW or $10+10 \log_{10}B$, dBm, whichever power is less. B is the 99 % emission bandwidth in megahertz. The e.i.r.p. spectral density shall not exceed 10 dBm in any 1 MHz band.
Unwanted Emission Limits	For transmitters with operating frequencies in the band 5 150 MHz to 5 250 MHz, all emissions outside the band 5 150 MHz to 5 350 MHz shall not exceed -27 dBm/MHz e.i.r.p. Any unwanted emissions that fall into the band 5 250 MHz to 5 350 MHz shall be attenuated below the channel power by at least 26 dB, when measured using a resolution bandwidth between 1 % and 5 % of the occupied bandwidth (i.e. 99% bandwidth), above 5 250 MHz. The 26 dB bandwidth may fall into the 5 250 MHz to 5 350 MHz band; if the occupied bandwidth also falls within the 5 250 MHz to 5 350 MHz band, the transmission is considered as intentional and the devices shall comply with all requirements in the band 5 250 MHz to 5 350 MHz including implementing dynamic frequency selection (DFS) and TPC, on the portion of the emission that resides in the 5 250 MHz to 5 350 MHz band.
Complied Module M/N	ENWF9203A1EF, ENWF9208A1EF

RSS-247 Section	6.2.2
Frequency Band (MHz)	5 250 to 5 350
Device Type	For devices, other than devices installed in vehicles.
Devices out of Scope	OEM devices installed in vehicles, Outdoor fixed devices, and other devices having an e.i.r.p. greater than 200 mW. ENWF9208A1EF (frequency band not supported) ⇒ Channel Tables based on Regulatory Domain/Country
Power Limits	The maximum conducted output power shall not exceed 250 mW or $11+10 \log_{10}B$, dBm, whichever is less. The power spectral density shall not exceed 11 dBm in any 1 MHz band.
Unwanted Emission Limits	All emissions outside the band 5 250 MHz to 5 350 MHz shall not exceed -27 dBm/MHz e.i.r.p.; or: All emissions outside the band 5 150 MHz to 5 350 MHz shall not exceed -27 dBm/MHz e.i.r.p. and its power shall comply with the spectral power density for operation within the band 5 150 MHz to 5 250 MHz. The device shall be labelled or include in the user manual the following text "For indoor use only."

RSS-247 Section	6.2.3
Frequency Band (MHz)	5 470 to 5 600 and 5 650 to 5 725
Device Type	Devices shall not be capable of transmitting in the band 5 600 MHz to 5 650 MHz. This restriction is for the protection of Environment Canada's weather radars operating in this band.
Devices out of Scope	ENWF9208A1EF (frequency band not supported) ⇒ Channel Tables based on Regulatory Domain/Country
Power Limits	The maximum conducted output power shall not exceed 250 mW or $11+10 \log_{10}B$, dBm, whichever is less. The power spectral density shall not exceed 11 dBm in any 1 MHz band.
Unwanted Emission Limits	Emissions outside the band 5 470 MHz to 5 725 MHz shall not exceed -27 dBm/MHz e.i.r.p. Devices with bandwidth overlapping the band edge of 5 725 MHz can meet the emission limit of -27 dBm/MHz e.i.r.p. at 5 850 MHz instead of 5 725 MHz.
Complied Module M/N	ENWF9203A1EF

RSS-247 Section	6.2.4
Frequency Band (MHz)	5 725 to 5 850
Device Type	For equipment operating in the band 5 725 MHz to 5 850 MHz
Devices out of Scope	Fixed point-to-point devices and devices with antenna gain greater than 6 dBi.
Power Limits	The minimum 6 dB bandwidth shall be at least 500 kHz. The maximum conducted output power shall not exceed 1 W. The output power spectral density shall not exceed 30 dBm in any 500 kHz band.
Unwanted Emission Limits	Devices shall have e.i.r.p. of unwanted emissions comply with the following: 27 dBm/MHz at frequencies from the band edges decreasing linearly to 15.6 dBm/MHz at 5 MHz above or below the band edges 15.6 dBm/MHz at 5 MHz above or below the band edges decreasing linearly to 10 dBm/MHz at 25 MHz above or below the band edges 10 dBm/MHz at 25 MHz above or below the band edges decreasing linearly to -27 dBm/MHz at 75 MHz above or below the band edges -27 dBm/MHz at frequencies more than 75 MHz above or below the band edges
Complied Module M/N	ENWF9203A1EF, ENWF9208A1EF



For further information about module variants and its supported channel table please refer to ⇒ [Channel Tables based on Regulatory Domain/Country](#).

6.2.2 IC Notice

English



The device PAN9026 and versions (⇒ [7.1 Ordering Information](#)), including the antennas (⇒ [6.1.5 Approved Antenna List](#)), comply with Canada RSS-Gen Rules. The device meets the requirements for modular transmitter approval as detailed in RSS-Gen.

Operation is subject to the following two conditions:

1. This device may not cause harmful interference, and
2. This device must accept any interference received, including interference that may cause undesired operation.

French



Le présent appareil PAN9026 (⇒ [7.1 Ordering Information](#)), les antennes y compris (⇒ [6.1.5 Approved Antenna List](#)), est conforme aux CNR-Gen d'ISDE applicables aux appareils radio exempts de licence.

L'exploitation est autorisée aux deux conditions suivantes:

1. L'appareil ne doit pas produire de brouillage, et
2. L'utilisateur de l'appareil doit accepter tout brouillage radioélectrique subi, même si le brouillage est susceptible d'en compromettre le fonctionnement.

6.2.3 Labeling Requirements

English



Labeling Requirements

The OEM must ensure that IC labelling requirements are met. This includes a clearly visible label on the outside of the OEM enclosure specifying the appropriate Panasonic IC identifier for this product as well as the IC Notice above.

The IC identifiers are:

IC: 216Q-9026 (for M/N: ENWF9203A1EF)

IC: 216Q-9026 (for M/N: ENWF9208A1EF)

These IC identifiers are valid for all PAN9026 modules ⇒ [7.1 Ordering Information](#). In any case, the end product must be labelled on the exterior with:

“Contains IC: 216Q-9026”.

French



Obligations d'étiquetage

Les fabricants d'équipements d'origine (FEO) – en anglais Original Equipment Manufacturer (OEM) – doivent s'assurer que les obligations d'étiquetage IC du produit final sont remplies. Ces obligations incluent une étiquette clairement visible à l'extérieur de l'emballage externe, comportant l'identifiant IC du module Panasonic inclus, ainsi que la notification ci-dessus.

L'identifiant IC est:

IC: 216Q-9026 (pour M/N: ENWF9203A1EF)

IC: 216Q-9026 (pour M/N: ENWF9208A1EF)

Cet identifiant est valide pour tous les modules PAN9026 ⇒ [7.1 Ordering Information](#). Dans tous les cas les produits finaux doivent indiquer sur leur emballage externe la mention suivante:

“Contient IC: 216Q-9026”.

6.3 European Conformity According to RED (2014/53/EU)

The PAN9026 modules with model number ENWF9202A1EF and ENWF9208A1EF comply with the standards according to the following LVD (2014/35/EU), EMC-D (2014/30/EU) together with RED (2014/53/EU) articles:

3.1a Safety/Health:	EN 62368-1:2014 EN 62311:2008
3.1b EMC:	EN 301 489-1 V2.1.1:2017-02 EN 301 489-17 V3.1.1:2017-02
3.2 Radio:	EN 300 328 V2.1.1:2016-11 EN 301 893 V2.1.1:2017-04 EN 300 440 V2.1.1:2017-03

As a result of the conformity assessment procedure described in 2014/53/EU Directive, the end customer equipment should be labelled as follows:



The end customer has to assure that the device has a distance of more than 20 cm from the human body under all circumstances.

The end customer equipment must meet the actual Safety/Health requirements according to RED.

PAN9026 and its model versions in the specified reference design can be used in all countries of the European Economic Area (Member States of the EU, European Free Trade Association States [Iceland, Liechtenstein, and Norway]), Monaco, San Marino, Andorra, and Turkey.

6.3.1 Radio Equipment Directive

The Radio Equipment Directive 2014/53/EU (RED) establishes a regulatory framework for placing radio equipment on the market. It ensures a Single Market for radio equipment by setting essential requirements for safety and health, electromagnetic compatibility, and the efficient use of the radio spectrum.

The RED aligned the previous Directive, the Radio and Telecommunication Terminal Equipment Directive 1999/5/EC (R&TTED), with the new legislative framework for the marketing of products. The RED is applicable as of 2016-06-13. It included a one-year transitional period, which ended on 2017-06-12 (Article 48). On 2017-06-20, the Commission Implementing

Regulation (EU) 2017/1354 was adopted. This specifies how to present the information provided for in Article 10(10) of Directive 2014/53/EU.

Article 10(10) RED

In cases of restrictions on putting into service or of requirements for authorisation of use, information available on the packaging shall allow the identification of the Member States or the geographical area within a Member State where restrictions on putting into service or requirements for authorisation of use exist. Such information shall be completed in the instructions accompanying the radio equipment. The Commission may adopt implementing acts specifying how to present that information. Those implementing acts shall be adopted in accordance with the advisory procedure referred to in Article 45(2).

- **Class 1:**
Radio equipment that can be operated without any restriction in EU, EEA, and EFTA. According to Article 8(1)b of the RED, it is clarified that no national radio interfaces specifications are required to be notified under RED;
- **Class 2:**
Radio equipment subject to restrictions in one or more EU, EEA and EFTA countries where:
 - The technical parameters are not harmonised through EU, EEA, and EFTA;
 - The technical parameters are harmonised through EU, EEA and EFTA, and do not fall in above class 1 definition.

Radio equipment class means a class identifying particular categories of radio equipment which, under this Directive, are considered similar and those radio interfaces for which the radio equipment is designed.

Article 8 RED

Notification of radio interface specifications and assignment of radio equipment classes 1:

- 1) Member States shall notify, in accordance with the procedure set out in Directive 98/34/EC, the radio interfaces which they intend to regulate except:
 - a) The radio interfaces which fully and without any deviation comply with the Commission decisions on the harmonised use of radio spectrum adopted pursuant to Decision No. 676/2002/EC; and
 - b) The radio interfaces which, in accordance with implementing acts adopted pursuant to paragraph 2 of this Article, correspond to radio equipment which can be put into service and used without restrictions within the Union.
- 2) The Commission shall adopt implementing acts establishing the equivalence between notified radio interfaces and assigning a radio equipment class, details of which shall be published in the Official Journal of the European Union. Those implementing acts shall be adopted in accordance with the examination procedure referred to in Article 45(3).

The Radio Interface Specifications Templates are provided for information in the EFIS database for applications which use is in harmonised radio spectrum, however with restrictions.

6.3.2 Equipment Classes

The PAN9026 is a radio module classified as class-1 or class-2 radio equipment depending on the frequency band in which it can operate. This equipment class is passed on the end-product which integrates the module.

Class 1

Class 1 radio equipment can be placed on the market and put into service without restrictions according to Article 1(3) of Commission Decision 2000/299/EC (Version 2018-01).

This radio module is defined as Class 1 radio equipment when it is restricted to operate in the following frequency bands:

Sub-class of Class 1	Application/Reference	Frequency Band (MHz)	Transmit Power/Power Density
22	Wideband Data Transmission Systems EN 300 328	2 400 to 2 483.5	100 mW e.i.r.p and 100 mW/100 kHz e.i.r.p. density applies when frequency hopping modulation is used, 10 mW/MHz e.i.r.p. density applies when other types of modulation are used.
54	Wireless Access Systems including Radio Local Area Networks (WAS/RLANs) EN 301 893	5 470 to 5 725	1 W mean e.i.r.p., 50 mW/MHz mean e.i.r.p. density in any 1 MHz band.
43	Non-Specific Short Range Devices EN 300 440	5 725 to 5 875	25 mW e.i.r.p.

Class 2

Class 2 radio equipment are restricted in accordance with Article 1(3) of Commission Decision 2000/299/EC1 if the equipment falls within the scope of Class 2.

This radio module is also defined as Class 2 radio equipment when it is restricted to operate in the following frequency bands:

Sub-class of Class 2	Application/Reference	Frequency Band (MHz)	Transmit Power/Power Density
H01	Wireless Access Systems including Radio Local Area Networks (WAS/RLANs) Restricted to indoor use EN 301 893	5 150 to 5 350	Max. 200 mW mean e.i.r.p. and max. 10 mW/MHz mean e.i.r.p. density in any 1 MHz band.



The usage of PAN9026 module in a vehicular environment cannot be considered as **indoor use**.

6.4 Bluetooth Qualification

The PAN9026 series modules are Bluetooth qualified as "Controller Subsystem". Following the qualified design ID's listed for the module:

Bluetooth Product	Project Name	Power Class		Model	Declaration ID	QDID
		BR/EDR	LE			
Controller Subsystem	PAN9026 Class I	1	1.5	ENWF920xA1EF	D044188	128779
	PAN9026 Class II	2	2		D044187	129672

If the module is combined with a host stack that is Bluetooth qualified as "Host Subsystem" it is possible to list an "End Product" without any further qualification tests.



The OpenSynergy Bluetooth software is commercially available and is delivered in source code format. Applications that are built using the Blue SDK are executed in Linux user space making development easy. The stack software and profiles are qualified components and are listed on the Bluetooth SIG website.

- Blue SDK v6.x and Low Energy SDK v3.x: QDID 120439
- Bluetooth traditional profiles: QDID 117748

Bluetooth Marks

According to the Bluetooth SIG, the PAN9026 fulfills the criteria to label your product as a Bluetooth device:



For further information please refer to the Bluetooth website www.bluetooth.com.

6.5 RoHS And REACH Declaration

The latest declaration of environmental compatibility (RoHS and REACH) for supplied products can be found on the Panasonic website in the "Downloads" section of the respective product ⇒ [7.2.2 Product Information](#).

7 Appendix

7.1 Ordering Information

Variants and Versions

Order Number	Brand (Version)	Description	MOQ ²²
ENWF9201A1EF	PAN9026 (US)	Wi-Fi/Bluetooth radio module IEEE 802.11 a/b/g/n Bluetooth /LE 5.0 with a ceramic chip-antenna, US version ²³	1 000
ENWF9202A1EF	PAN9026 (EU)	Wi-Fi/Bluetooth radio module IEEE 802.11 a/b/g/n Bluetooth /LE 5.0 with a ceramic chip-antenna, EU version ²⁴	1 000
ENWF9203A1EF	PAN9026 (CA)	Wi-Fi/Bluetooth radio module IEEE 802.11 a/b/g/n Bluetooth /LE 5.0 with a ceramic chip-antenna, CA version ²⁵	1 000
ENWF9208A1EF	PAN9026 (MR)	Wi-Fi/Bluetooth radio module IEEE 802.11 a/b/g/n Bluetooth /LE 5.0 with a ceramic chip-antenna, Multi-region version certified for US, EU, and CA ²⁶	1 000
ENWF9209A1EF	PAN9026 (WW)	Wi-Fi/Bluetooth radio module IEEE 802.11 a/b/g/n Bluetooth /LE 5.0 with a ceramic chip-antenna, non-certified world-wide version ²⁷	1 000
ENWF9201AZEF	PAN9026-ETU	PAN9026 SDIO Adapter with module ENWF9201A1EF	1
ENWF9201AYEF	PAN9026-KIT	PAN9026 Kit: 2x PAN9026 SDIO Adapter with module ENWF9201A1EF and 1x Case	1
ENWF9201AXEF	PAN9026-IMX	i.MX6+PAN9026 Development Kit: 1x PAN9026 MicroSD Adapter, 1x Wandboard WBIMX6U, 1x MicroSD Card, 1x Adapter cable USB-A to DC 5.5/2.5 mm plug	1
ENWF9201AWEF	PAN9026-MSD	PAN9026 MicroSD Adapter with module ENWF9201A1EF	1

For further information please refer to our product documentation ⇒ [7.2.2 Product Information](#).

²² Abbreviation for Minimum Order Quantity (MOQ). The standard MOQ for mass production is 1 000 pieces, fewer only on customer demand. Samples for evaluation can be delivered at any quantity via the distribution channels.

²³ The US version is restricted to FCC regulatory domain with blocked country code and Tx power table. The device does not support the channels 12 to 13 in the 2.4 GHz band and any non-US channels. TPC, DFS, and passive scanning mechanism are set by the regulatory domain's channel table, which is stored on the OTP memory of device.

²⁴ The EU version is restricted to European regulatory domain ETSI with blocked country code and Tx power table. TPC, DFS, and passive scanning mechanism are set by the regulatory domain's channel table, which is stored on the OTP memory of device.

²⁵ The CA version is restricted to Canadian regulatory domain ISED with blocked country code and Tx power table. The device does not support the channels 12 to 13 in the 2.4 GHz band and any non-CA channels. TPC, DFS, and passive scanning mechanism are set by the regulatory domain's channel table, which is stored on the OTP memory of device.

²⁶ The multi-region version is restricted to FCC, European ETSI, and Canadian ISED regulatory domain with blocked Tx power table, which is stored on the OTP memory of device. The device does not support the channels 12 to 13 in the 2.4 GHz band. DFS and passive scanning mechanism are not necessary as only the non-DFS channels in the 5 GHz band are supported.

²⁷ The world-wide version is a non-certified variant. Regulatory domain based settings like country code, Tx power, non-usable channels, TPC, DFS, and passive scanning are controlled by the CRDA application on host system. It is necessary to implement a Geo-location mechanism on host platform.

7.2 Contact Details

7.2.1 Contact Us

Please contact your local Panasonic Sales office for details on additional product options and services:

For Panasonic Sales assistance in the **EU**, visit

<https://eu.industrial.panasonic.com/about-us/contact-us>

Email: wireless@eu.panasonic.com

For Panasonic Sales assistance in **North America**, visit the Panasonic Sales & Support Tool to find assistance near you at

<https://na.industrial.panasonic.com/distributors>

Please visit the **Panasonic Wireless Technical Forum** to submit a question at

<https://forum.na.industrial.panasonic.com>

7.2.2 Product Information

Please refer to the Panasonic Wireless Connectivity website for further information on our products and related documents:

For complete Panasonic product details in the **EU**, visit

<http://pideu.panasonic.de/products/wireless-modules.html>

For complete Panasonic product details in **North America**, visit

<http://www.panasonic.com/rfmodules>