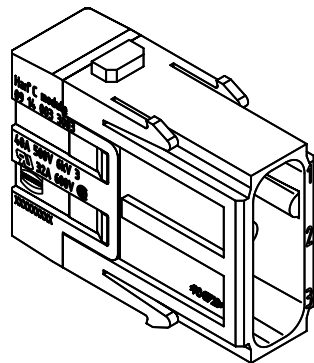
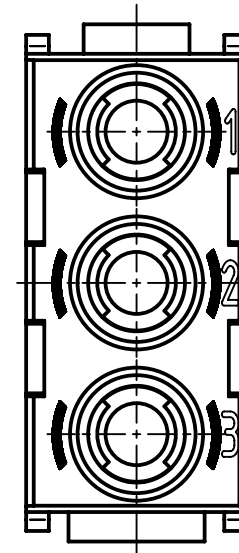
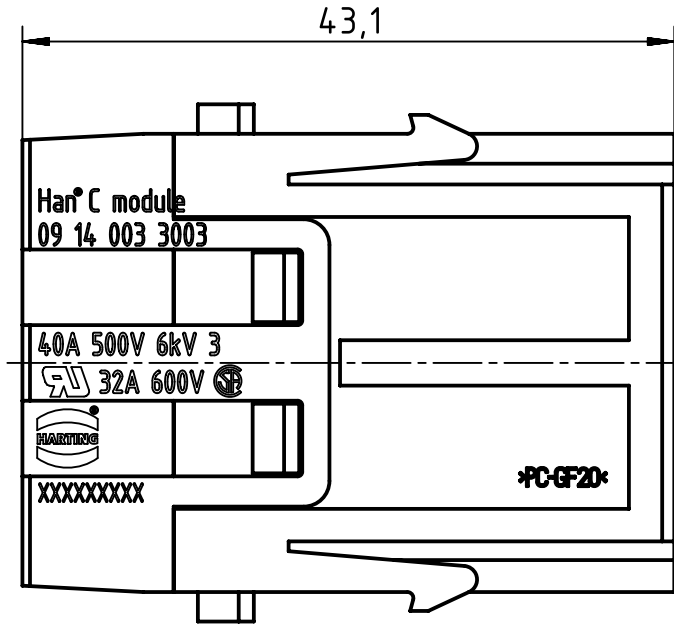
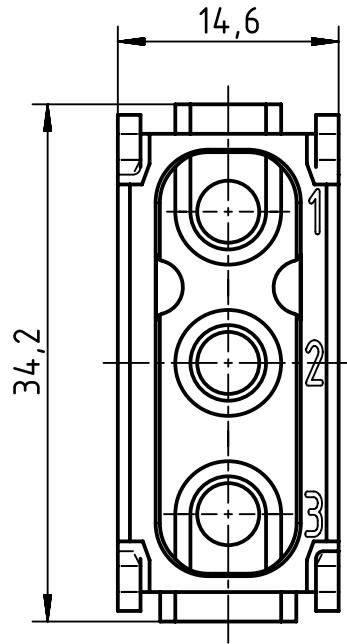


A

B

C

D



Wire diameter over insulation $\leq 4,8\text{mm}$ stripping length 9,5mm
 $> 4,8\text{mm}$ stripping length 18mm

For wires with maximum wire diameter over insulation up to 7,5mm

	All Dimensions in mm Original Size DIN A4	Scale 2:1		Free size tol.		Ref.	
						Sub.	
	All rights reserved Department EL PD - DE	Created by FINKEV	Inspected by NICHTERLEIN	Standardisation SCHMIDTM	Date 2018-04-27	State Final Release	
		Title Han 3Mod-M-c 40A					Doc-Key / ECM-Nr. 100610179/UGD/001/B 500000134562
HARTING Electric GmbH & Co. KG D-32339 Espelkamp		Type TB	Number 09 14 003 3003			Rev. B	Page 1/1