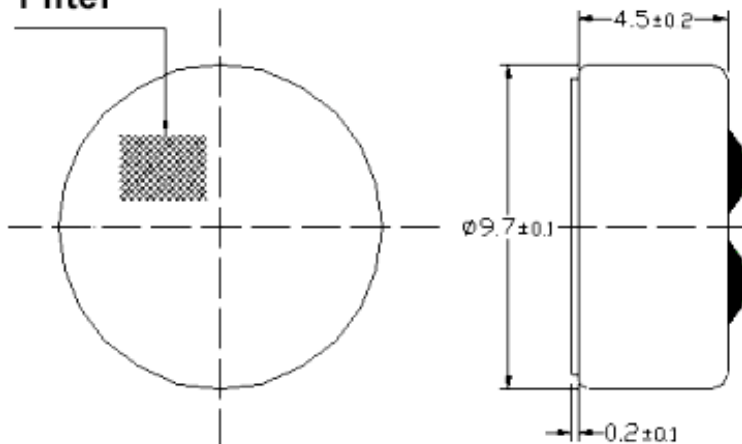
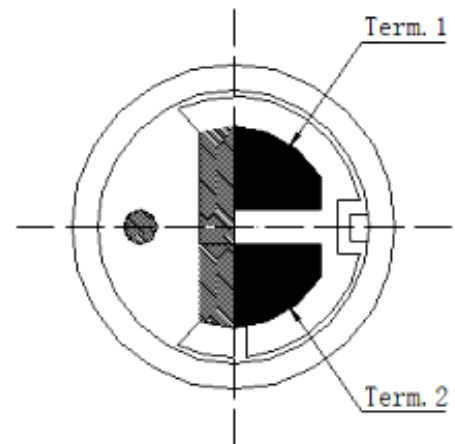
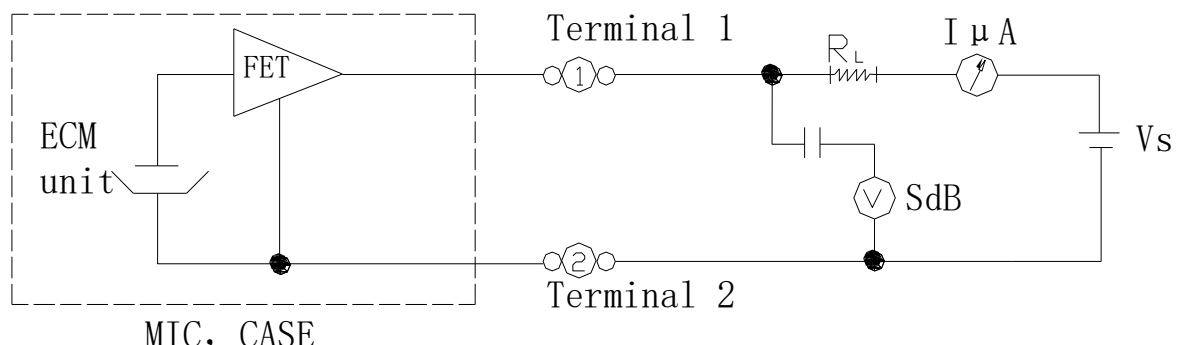


**Specifications: May not be suitable for all Medical and Aerospace applications.
Contact Mallory Sonalert to discuss your application.**

Sensitivity Range	-42 ± 3 dB $R_L = 2.2$ k Ω $V_{CC} = 3.0$ v (1 kHz 0 dB = 1 v/Pa)
Impedance	Max. 2.2k Ω 1 kHz ($R_L = 2.2$ k Ω)
Frequency	20 - 16000 Hz
Current Consumption	Max 0.5 mA
Operating Voltage Range	1.1 – 10 V
Max SPL (dB)	115 dB
S/N Ration	More than 60 dB
Sensitivity Reduction	3.0 –2.0V Variation less than 3 dB
Storage Condition	-40 ~ +70°C; R.H. < 90%
Operating Condition	-20 ~ +60°C; R.H. < 90%
Weight (g)	0.6
Options	For other options contact factory

Dimensions: (units: mm)**Filter****ROHS Compliant****Schematic Diagram:**

Packaging: Bulk pack in quantities of 100pcs.