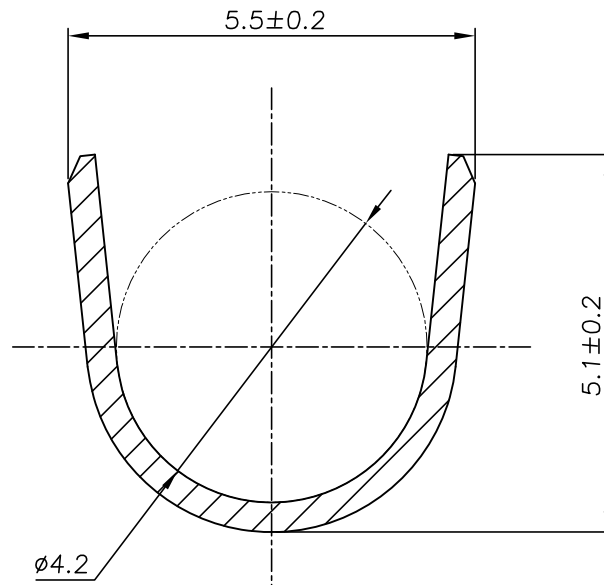
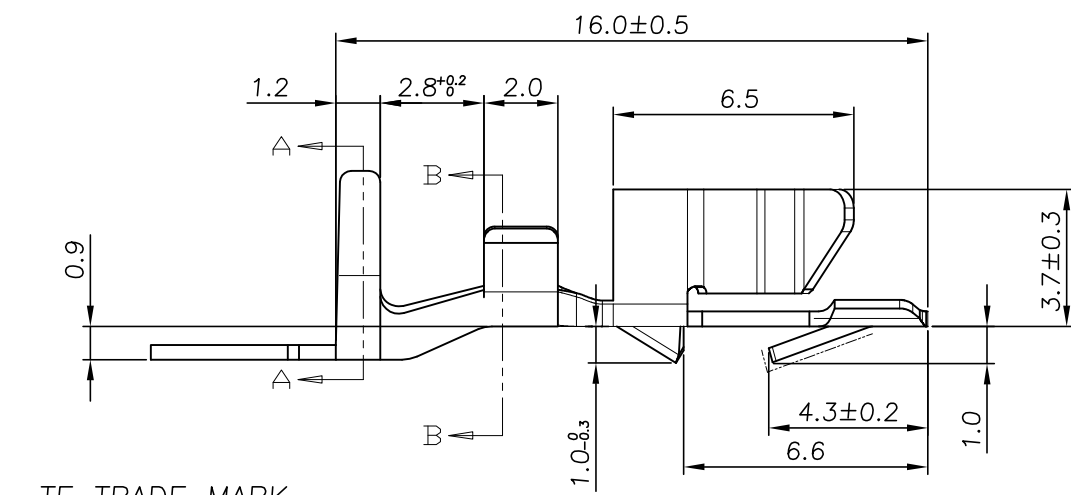
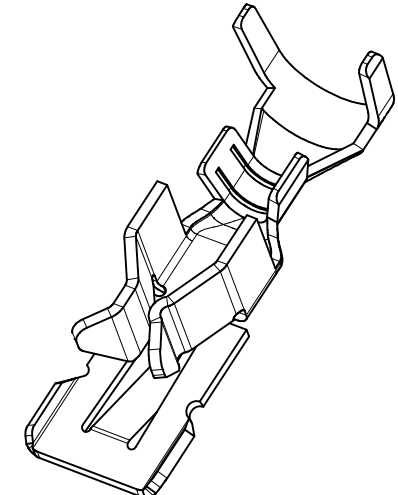
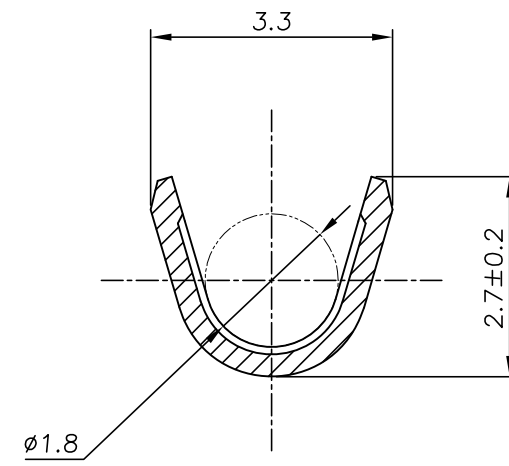
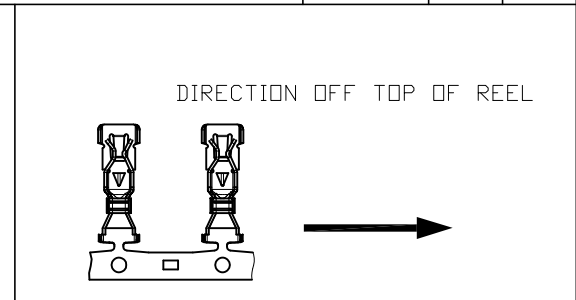
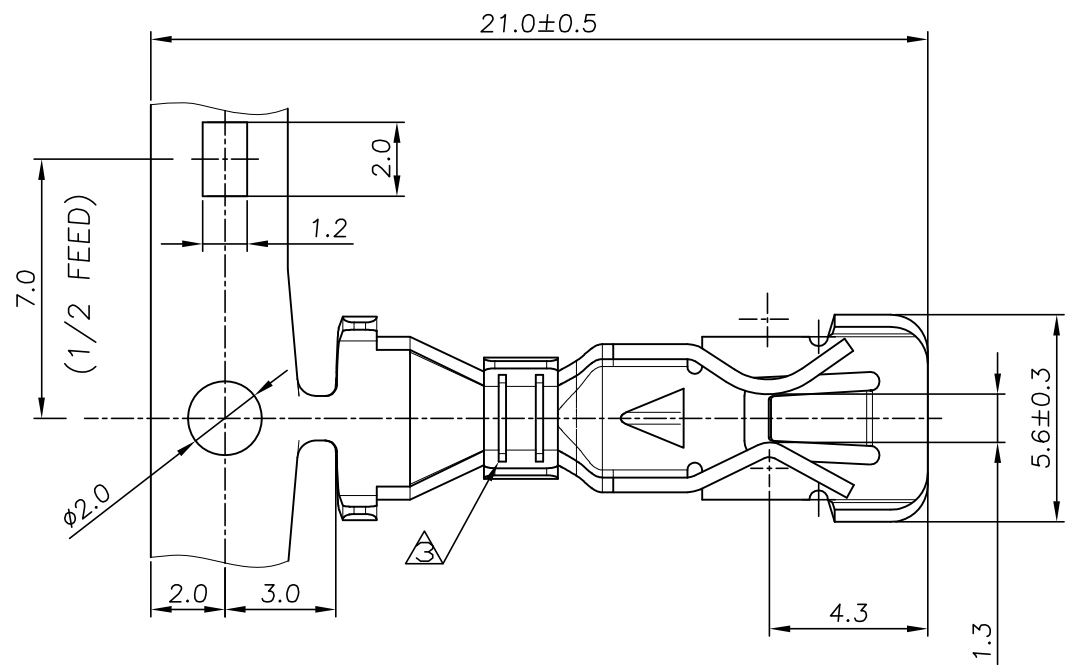


4

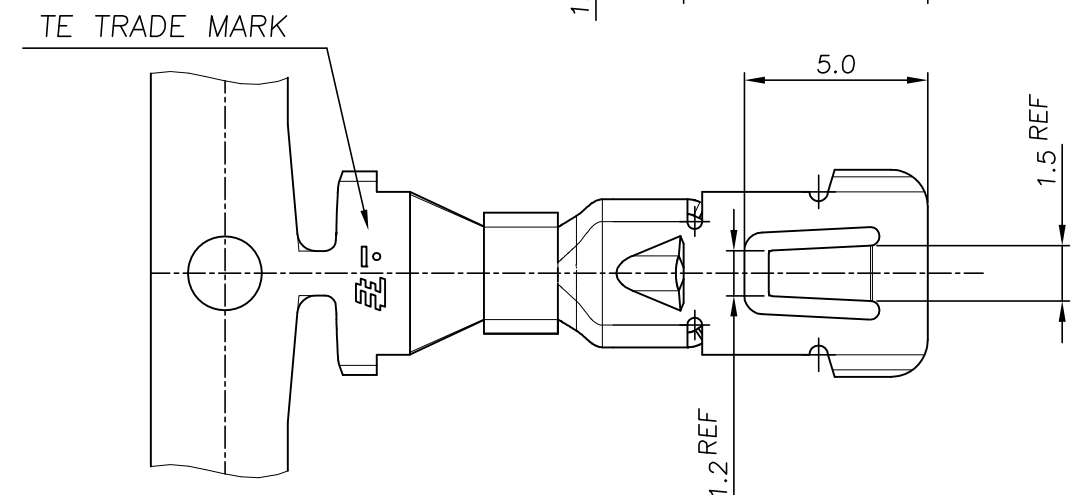
3

THIS DRAWING IS UNPUBLISHED. RELEASED FOR PUBLICATION
© COPYRIGHT BY TYCO ELECTRONICS CORPORATION, ALL RIGHTS RESERVED.

LOC	DIST	REVISIONS					
		P	LTR	DESCRIPTION	DATE	DWN	APVD
DS			A	RELEASED	26, JUN, 09	DR.	HG



NOTE
 1. GENERAL TOLERANCE : ±0.3, ±2°
 2. WIRE SIZE AVS 0.5mm²
 3. TWO SERRATIONS CENTERED IN WIRE BARREL.



FINISH		Cu Alloy 0.40THK.		2005207-1	
MATERIAL		MATERIAL		PART NUMBER	
DWN : DR. GOD		Tyco Electronics		Tyco Electronics Kyungsan, Korea	
CHK : JW JUNG		NAME		C200/NB7 B/SOCKET TML	
APVD : HG CHD		PRODUCT SPEC		SIZE	
APPLICATION SPEC		APPLICATION SPEC		CAGE CODE	
WEIGHT		WEIGHT		DRAWING NO	
CUSTOMER DRAWING		CUSTOMER DRAWING		RESTRICTED TO	
SCALE 5/1		SCALE 5/1		SHEET 1 OF 1	
REV A		REV A		REV A	

DIMENSIONS: mm		TOLERANCES UNLESS OTHERWISE SPECIFIED:	
3rd ANGLE PROJECTION		±	
MATERIAL		FINISH	
SEE TABLE		-	

D
C
B
A

D
A