

4

3

2

1

THIS DRAWING IS UNPUBLISHED.

RELEASED FOR PUBLICATION

20

© COPYRIGHT 20

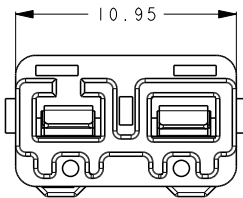
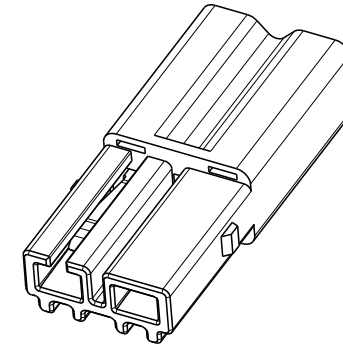
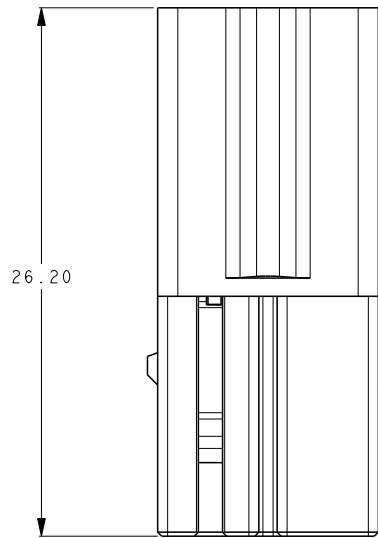
ALL RIGHTS RESERVED.

LOC
ES

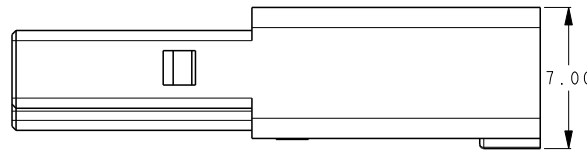
DIST

REVISIONS

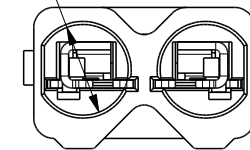
P	LTR	DESCRIPTION	DATE	DWN	APVD
	C	ECR-17-000969	20DEC2016	X.X	X.X
	D	ECR-18-018978	15FEB2019	F.F	M.S
	E	ECR-19-010701	16AUG2019	M.S	M.S
	E1	ECR-19-013399	26DEC2019	F.F	M.S



SCALE 4:1



∅ 4.50 ± 0.20 (2X)



PART NUMBER	PART COLOR
2834036-1	ORANGE

NOTES:

- 1. TE PART NUMBER: SEE TABLE.
- 2. MATERIAL
- 3. TERMINAL: COPPER ALLOY.
- 4. HOUSING: NYLON, UL 94-V0. COLOR: ORANGE.
- 5. FINISH
- 6. TERMINAL: TIN PLATING OVERALL.
- 7. APPLICABLE MATING RECEPTACLE: 2834037 SERIES.
- 8. APPLICABLE WIRE: 18-22 AWG SOLID.
- 9. STRIP LENGTH: 9.0-9.5mm.
- 10. PRODUCT COMPLIES TO UL 2459 REQUIREMENT AND QUALIFIED: ZMNA.E308110; ZMNA7.E208110.

THIS DRAWING IS A CONTROLLED DOCUMENT.		DWN	26DEC2019	STE TE Connectivity				
		CHK	FRANK FAN					
		APVD	GEORGE FU					
		NAME	MING SHI					
DIMENSIONS:		TOLERANCES UNLESS OTHERWISE SPECIFIED:		PLUG 2 PIN WIRE TO WIRE CONNECTOR				
mm		± 0.5						
		0-PLC ±						
		1-PLC ±10						
		2-PLC ±5.0						
		3-PLC ±						
MATERIAL		FINISH		SIZE	CAGE CODE	DRAWING NO	RESTRICTED TO	
				A300779		C-2834036	-	
				CUSTOMER DRAWING		SCALE 4:1	SHEET 1 OF 2	REV E1

4

3

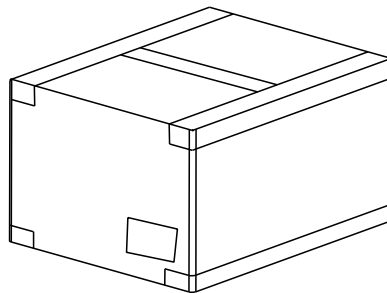
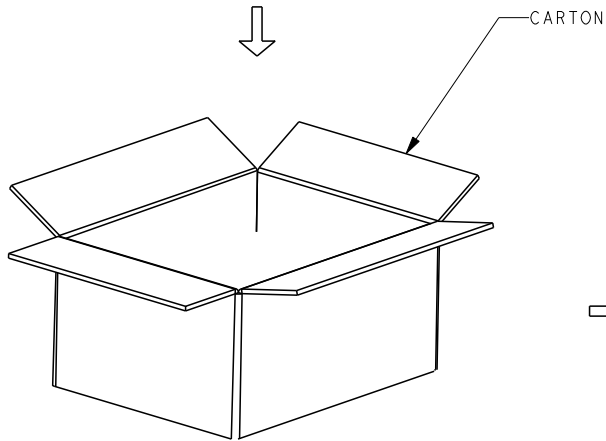
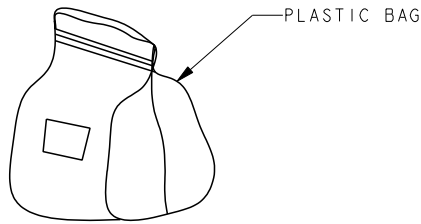
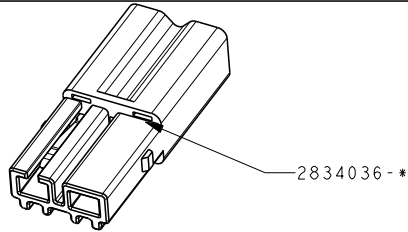
2

1

THIS DRAWING IS UNPUBLISHED. RELEASED FOR PUBLICATION 20



© COPYRIGHT 20 ALL RIGHTS RESERVED.

LOC	DIST	REVISIONS					
		P	LTR	DESCRIPTION	DATE	DWN	APVD
ES							



NOTE:
1. PACKAGING QUANTITY: SEE TABLE.

PARTS PER BAG	BAGS PER CARTON	PARTS PER CARTON
500 PCS	8	4000 PCS

THIS DRAWING IS A CONTROLLED DOCUMENT.		DWN	26DEC2019	 TE Connectivity
		CHK	26DEC2019	
		APVD	26DEC2019	
		NAME	MING SHI	
DIMENSIONS: mm		TOLERANCES UNLESS OTHERWISE SPECIFIED: 0 PLC ± 1 PLC ±10 2 PLC ±5.0 3 PLC ± 4 PLC ± ANGLES ±5°		PRODUCT SPEC - APPLICATION SPEC -
		MATERIAL -		FINISH -
		WEIGHT -		SIZE A3
		CUSTOMER DRAWING		CAGE CODE A300779
		DRAWING NO C=2834036		RESTRICTED TO -
		SCALE 4:1		SHEET 2 OF 2
		REV E1		