

HC-STA-RJ45GC-BWSC-ELAL - Connector set



1249560

<https://www.phoenixcontact.com/us/products/1249560>

Please be informed that the data shown in this PDF document is generated from our online catalog. Please find the complete data in the user documentation. Our general terms of use for downloads are valid.



Connector set, number of positions: 8, CAT6, material: Die-cast aluminum, salt water resistant, Gender changer

Commercial data

Item number	1249560
Packing unit	1 pc
Minimum order quantity	1 pc
Sales key	BF63
Product key	BF7AFX
GTIN	4063151354855
Weight per piece (including packing)	45 g
Weight per piece (excluding packing)	45 g
Customs tariff number	85366990
Country of origin	CN

HC-STA-RJ45GC-BWSC-ELAL - Connector set



1249560

<https://www.phoenixcontact.com/us/products/1249560>

Set consists of

HC-STA-D07-BWSCM-EL-AL - Housing

1419250

<https://www.phoenixcontact.com/us/products/1419250>



Panel mounting base D7, with single locking latch, material: Die-cast aluminum, salt water resistant, protective cover material: PA, height: 25.5 mm, cable gland: none, protective cover: yes, Standard, for pin inserts

HC-Q-I-RJ45 GC-F/F - Contact insert

1422590

<https://www.phoenixcontact.com/us/products/1422590>



Contact insert, number of positions: RJ45, size: D7, type : RJ45, Socket, 50 V, 1 A, application: Data, Gender changer

1249560

<https://www.phoenixcontact.com/us/products/1249560>

Technical data

Notes

General	Connectors may be operated only when there is no load/voltage.
---------	--

Product properties

Type	D7
Product type	Connector set
Sensor type	Ethernet
Number of positions	8
Connection profile	RJ45
Application	Data
Type	RJ45
Protective cover	yes
Series	HC-D

Insulation characteristics

Overvoltage category	III
Degree of pollution	3

Electrical properties

Rated voltage (III/3)	50 V
Rated surge voltage	0.8 kV
Rated current	1 A
Insulation resistance	100 MΩ
Nominal voltage U_N	50 V
Transmission characteristics (category)	CAT6

Interfaces

Signal type/category	Ethernet CAT6
----------------------	---------------

Material specifications

Material	PA
Flammability rating according to UL 94	V0
Seal material	NBR
Contact material	Copper alloy
Contact surface material	Au
Contact carrier material	PC
Locking latch material	PA
Impact strength	IK06
Housing material	Die-cast aluminum, salt water resistant

Cable/line

Signal type/category	Ethernet CAT6
----------------------	---------------

HC-STA-RJ45GC-BWSC-ELAL - Connector set



1249560

<https://www.phoenixcontact.com/us/products/1249560>

Environmental and real-life conditions

Ambient conditions

Degree of protection	IP66
Impact strength	IK06
Ambient temperature (operation)	-40 °C ... 70 °C

Mounting

Mounting type	Wall mounting
---------------	---------------

HC-STA-RJ45GC-BWSC-ELAL - Connector set

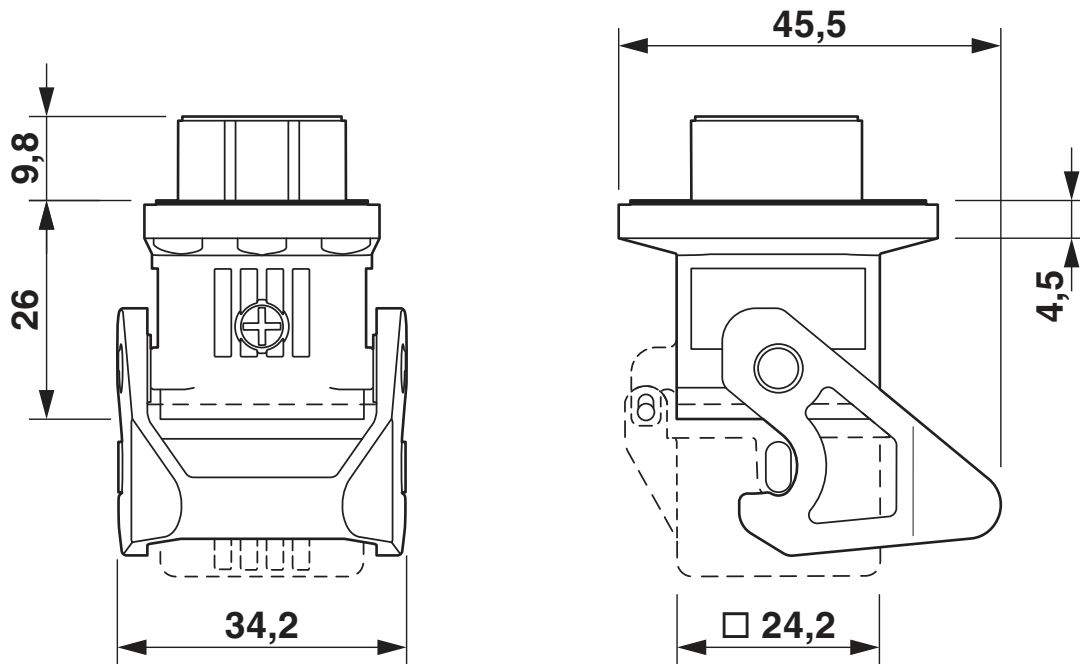


1249560

<https://www.phoenixcontact.com/us/products/1249560>

Drawings

Dimensional drawing



Dimensional drawing

HC-STA-RJ45GC-BWSC-ELAL - Connector set



1249560

<https://www.phoenixcontact.com/us/products/1249560>

Classifications

ECLASS

ECLASS-11.0	27440101
ECLASS-12.0	27440113
ECLASS-13.0	27440113

ETIM

ETIM 8.0	EC002636
----------	----------

UNSPSC

UNSPSC 21.0	39121400
-------------	----------

HC-STA-RJ45GC-BWSC-ELAL - Connector set



1249560

<https://www.phoenixcontact.com/us/products/1249560>

Environmental product compliance

China RoHS	Environmentally friendly use period: unlimited = EFUP-e
	No hazardous substances above threshold values

HC-STA-RJ45GC-BWSC-ELAL - Connector set



1249560

<https://www.phoenixcontact.com/us/products/1249560>

Accessories

HC-STA-RJ45CT-HT-M20-PLRBK - Connector set

1249554

<https://www.phoenixcontact.com/us/products/1249554>



Connector set, number of positions: 8, CAT6_A, material: PA, connection method: Crimp connection, connection cross section: AWG 24- 27, cable outlet: straight, With RJ45 contact insert, with slotted seal

HC-STA-RJ45I-23-HT-M20-PLRBK - Connector set

1249555

<https://www.phoenixcontact.com/us/products/1249555>



Connector set, number of positions: 8, 1 Gbps, CAT5 (IEC 11801:2002), material: PA, connection method: IDC fast connection, connection cross section: AWG 23- 22, cable outlet: straight, With RJ45 contact insert, with slotted seal

HC-STA-RJ45GC-BWSC-ELAL - Connector set

1249560

<https://www.phoenixcontact.com/us/products/1249560>



HC-STA-RJ45PC-HT-M20-PLRBK - Connector set

1249556

<https://www.phoenixcontact.com/us/products/1249556>



Connector set, material: PA, cable outlet: straight, with slotted seal, with adapter for patch cables

HC-STA-RJ45CT-HS-M20-PLRBK - Connector set

1249557

<https://www.phoenixcontact.com/us/products/1249557>



Connector set, number of positions: 8, CAT6_A, material: PA, connection method: Crimp connection, connection cross section: AWG 24- 27, cable outlet: lateral, With RJ45 contact insert, with slotted seal

HC-STA-RJ45GC-BWSC-ELAL - Connector set

1249560

<https://www.phoenixcontact.com/us/products/1249560>



HC-STA-RJ45PC-HS-M20-PLRBK - Connector set

1249558

<https://www.phoenixcontact.com/us/products/1249558>



Connector set, material: PA, cable outlet: lateral, with slotted seal, with adapter for patch cables

Phoenix Contact 2023 © - all rights reserved

<https://www.phoenixcontact.com>

Phoenix Contact USA
586 Fulling Mill Road
Middletown, PA 17057, United States
(+717) 944-1300
info@phoenixcon.com