

PART NO.	POLES	ENGINEERING NO.	FINISHED LENGTH
1300070062	6	206003A01F030	3.0FT [0.9M]
1300070128	7	207003A01F060	6.0FT [1.8M]
1300070131	7	207003A01F120	12.0FT [3.7M]
1300070223	8	208003A01F200	20.0FT [6.1M]

CABLE LENGTH TOLERANCES

>.3M [1FT]: +19mm-0 [+ .75in-0]

.3 - .9M [1 - 3FT]: +44.5mm-0 [+1.75in-0]

.9 - 1.8M [3 - 6FT]: +55.6mm-0 [+2.19in-0]

1.8 - 3.7M [6 - 12FT]: +88.9mm-0 [+3.50in-0]

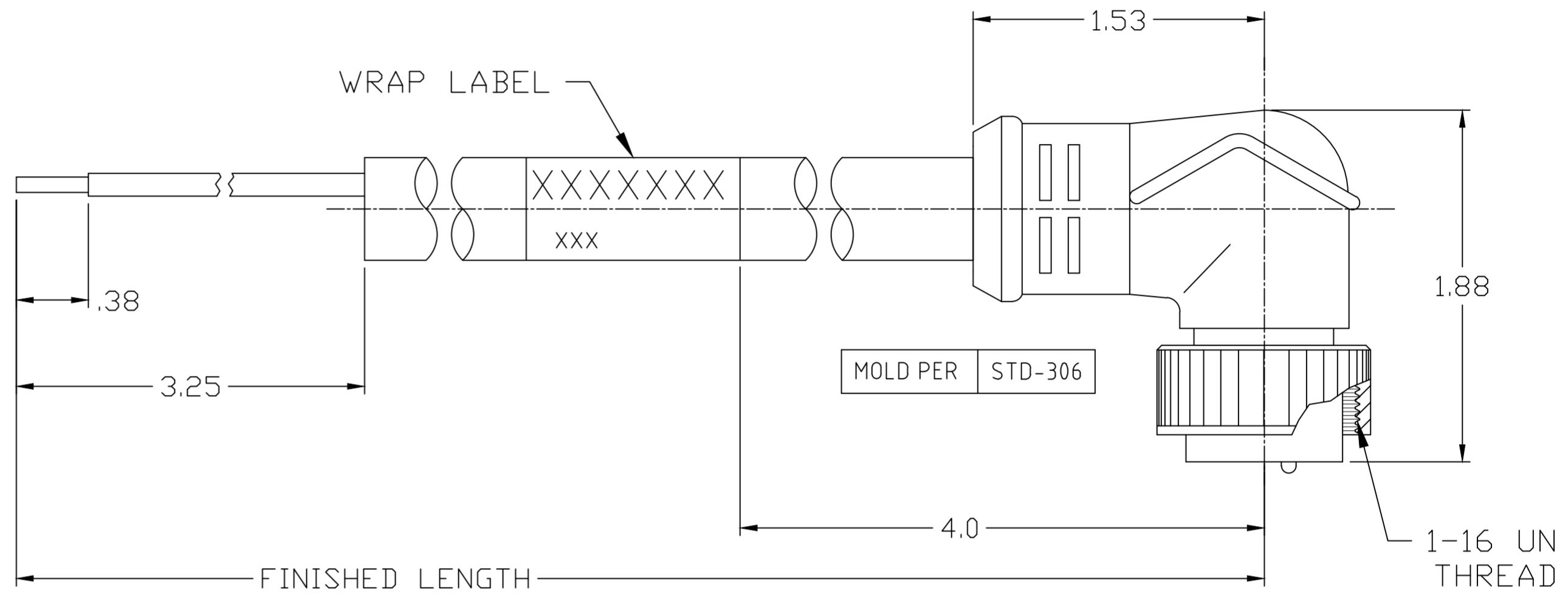
3.7 - 7.3M [12 - 24FT]: +165.1mm-0 [+6.50in-0]

7.3-14.6M [24 - 48FT]: +317.5mm-0 [+12.50in-0]

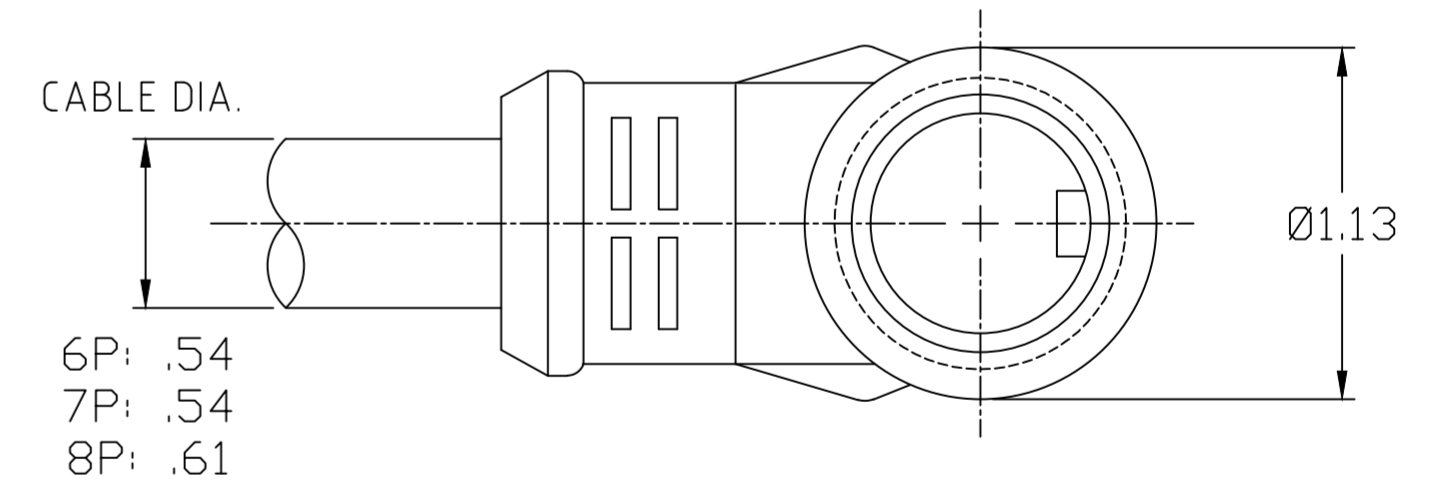
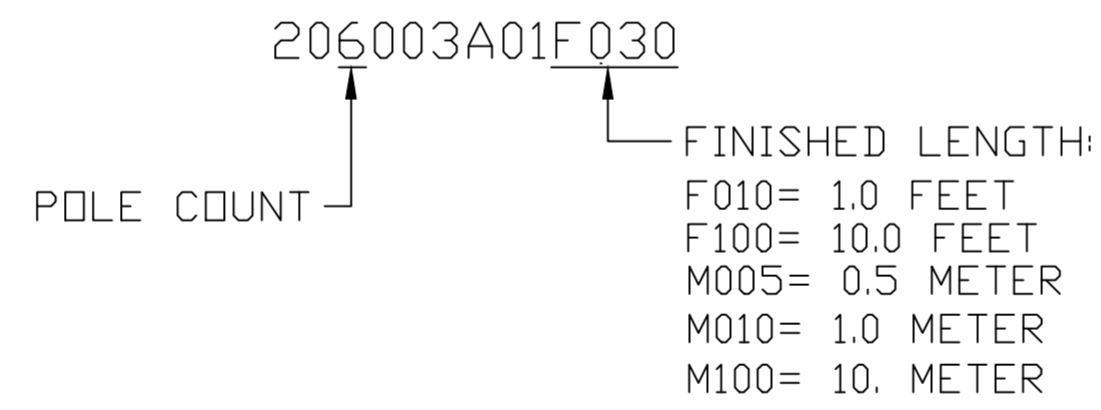
14.6 - 30.5M [48-100FT]: +622.3mm-0 [+24.50in-0]

OVER 30M [100FT] +2% OF FINISHED LENGTH

- NOTES:
- MATERIAL: AS NOTED
 - FINISH: AS NOTED
 - ELECTRICAL:
VOLTAGE: 6P 400V PER IEC 60664
7P & 8P: 320V PER IEC 60664
6,7 & 8P: 600V PER UL 2238
CURRENT: 6P & 7P: 8A, 8P: 7A
 - TEMP RATING: -20°C TO +105°C
 - PROTECTION: IP67 (WHEN MATED)
 - COUPLING THREAD: AS NOTED
 - UL RECOGNIZED FILE: E152210
CANADIAN RECOGNIZED FILE: LR6837
 - ALL DIMS ARE FOR REFERENCE UNLESS TOLERANCED OR NOTED OTHERWISE



PART NUMBER LEGEND



ITEM	DESCRIPTION	MATERIAL	FINISH
6	WRAP LABEL	VINYL	BLACK/YELLOW
5	OVERMOLD	TPE	YELLOW
4	COUPLING NUT, INT. THD	ZINC DIE-CAST	NICKEL PLATED
3	CONTACT PIN	COPPER ALLOY	GOLD PLATED
2	MALE INSERT	TPE	YELLOW
1	CABLE, 16AWG ST00W	PVC JACKET	YELLOW

THIS DRAWING CONTAINS INFORMATION THAT IS PROPRIETARY TO MOLEX ELECTRONIC TECHNOLOGIES, LLC AND SHOULD NOT BE USED WITHOUT WRITTEN PERMISSION

SYMBOLS

▽ = 0	4 PLACES	±----	±----
▽ = 0	3 PLACES	±----	±----
▽ = 0	2 PLACES	±----	±----
▽ = 0	1 PLACE	±----	±----
▽ = 0	0 PLACES	±----	±----

ANGULAR TOL ± ----°

DRAFT WHERE APPLICABLE MUST REMAIN WITHIN DIMENSIONS

THIRD ANGLE PROJECTION

DRAWING C-SIZE

SERIES 130007

CURRENT REV DESC: RELEASED

EC NO: 626697

DRWN: RSTONE 2019/11/07

CHK'D: ALEON01 2019/11/08

APPR: BWOODMAN 2019/11/11

INITIAL REVISION:

DRWN: QW 1998/10/22

APPR: BW 1998/10/22

DOCUMENT NUMBER 1300070010

DOC TYPE PSD

DOC PART 000

REVISION A

MATERIAL NUMBER

CUSTOMER GENERAL MARKET

SHEET NUMBER 1 OF 1

molex

MINI-CHANGE 90 CORD ASSEMBLY

6, 7 & 8 POLE, 16AWG ST00W

PRODUCT CUSTOMER DRAWING