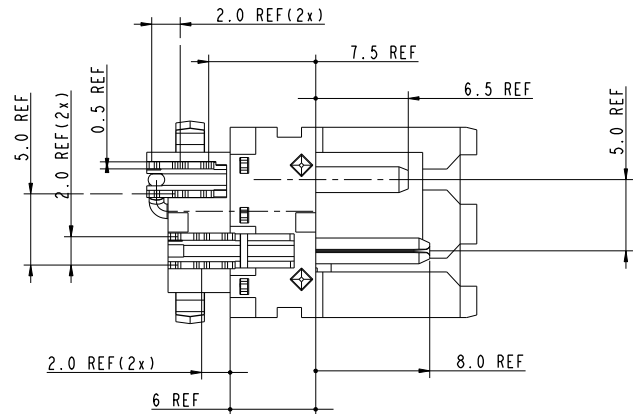
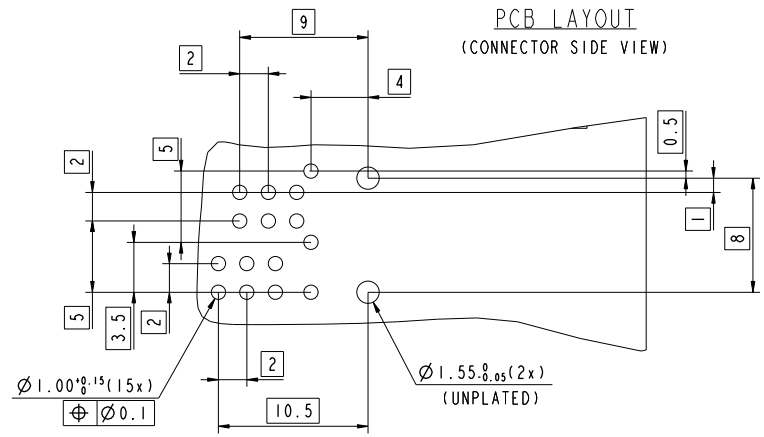
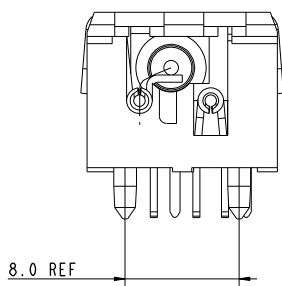
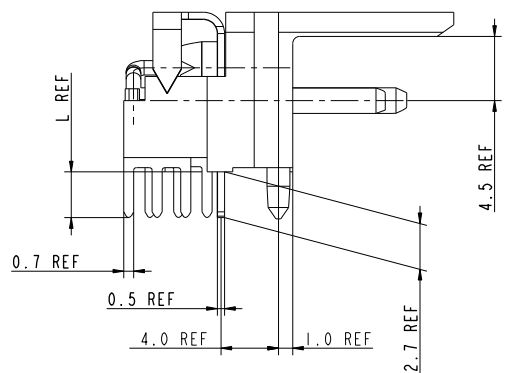


1 2 3 4 5 6 7 8

A
B
C
D
E
F



Connector type	I CONTINUOUS A(DC)	I max A(DC)	C min pF	FILTER EQUIVALENT TO
72814-204LF	10	15	3000	Tusonic 4101-066
72814-205LF				

- NOTES:
- BODY MATERIAL: LIQUID CRYSTAL POLYMER 30% GLASS
FLAME RETARDANT ACC. UL 94 V0
 - TERMINAL MATERIAL: BRONZE
 - TERMINAL PLATING:
Ni + GOLD ON MATING AREA
Ni + PURE Sn ON TERMINATION
 - PACKAGING IN TUBE ACCORDING TO EUR-14-005.
 - VOLTAGE PROOF 1000 V
 - CURRENT CAPACITY: SEE TABLE
 - CONTACT RESISTANCE 10 MOHM MAXI
 - INSULATION RESISTANCE 5000 MOHM INITIAL MINI
 - FILTER: SEE TABLE
 - FOR MORE DETAILS REFER THE DRAWING 72846_C

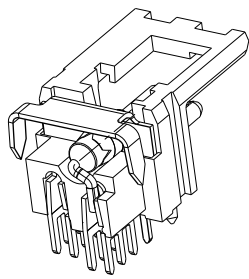
Product number	L
72814-204LF	2.2
72814-205LF	2.7

14-ROHS INFORMATION:

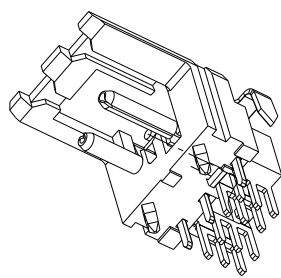
-This product meets European Union Directives and other country regulations as described in GS-22-008.

-The housing will withstand exposure to 260°C peak temperature for 10 second in a wave solder application with a 1.6mm minimum thick circuit board. See Application notes/procedures if they are available.

-Packaging label spec: see GS-14-920.



3:1



3:1

Copyright FCI.



rev	ecn no	dr	date
D	LS06-0143	LGO	2006-09-25
E	LS07-0240	JTA	2007-09-21
F	LS08-0234	JTA	2008-12-19
G	NI11-0027	A.ZH	2011-02-07
H	NI11-0127	A.ZH	2011-04-22

www.fciconnect.com		surface ISO 1302	tolerance std ISO 406	ISO 1101	projection	MM
		TOLERANCES UNLESS OTHERWISE SPECIFIED			size	Scale
Dr	M. LENOIR	2004-11-29	ANGULAR	LINEAR	0.x ±0.3	A2
Eng	J. Taron	2004-11-29	0° ±2°	0.xxx ±0.05	ECN	NI11-0127
Chr	P. Legare	2004-11-29	Product family	Spec ref	RELEASE	
Appr	P. Legare	2004-11-29	RA HDR POWER ASSY		72814	Rev. H
FCI		FILTERED VERSION		catalog no	SEE TABLE	CUSTOMER
				sheet 1 of 1		

REF 7 - 2006 06 17

1 2 3 4 5 6 7 8