

Ratings

Voltage: 150 V
Temperature: -40~70 °C

Conductor

Conductor count: 4
Gauge: 22 AWG 0.33 mm²
Material: tinned copper strands
Strand size: $\varnothing 0.08 \times 65$
Resistance at 20 °C: 59.4 Ω /km max

Insulator

Material: HDPE
Color: yellow, white, black, red
Diameter: $\varnothing 1.25 \pm 0.10$ mm
Nominal thickness: 0.24 mm
Resistance at 20 °C: 100 M Ω /km min

Wrap

Material: cotton paper

Filler

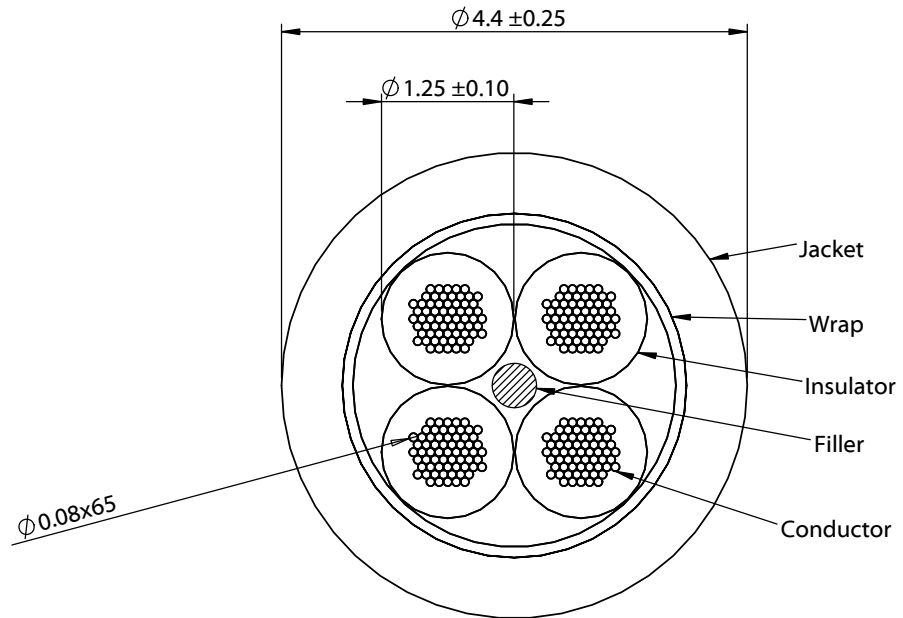
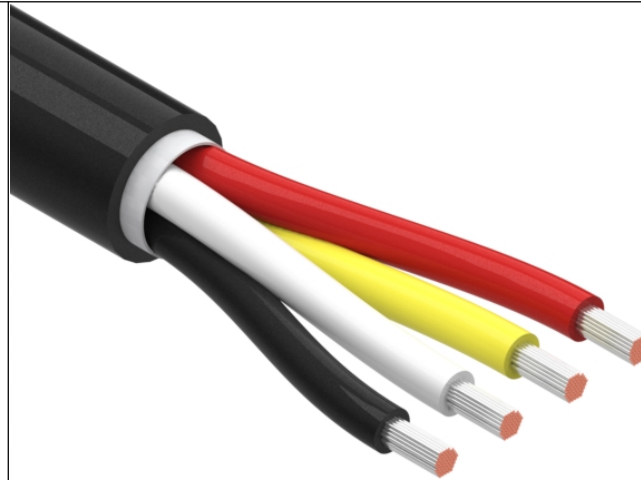
Material: aramid fiber

Outer jacket

Material: TPU
Color: black
Diameter: $\varnothing 4.4 \pm 0.25$ mm
Nominal thickness: 0.60 mm

Tests

Tensile strength: 26 kgf min
Dielectric test: 1500 V dc for 1 minute without breakdown
Bend test at 200 g, $\pm 60^\circ$, 30 cycles /min: 15,000 cycle minimum



Revision:	Date:	Description:
A	8/30/2022	Initial release

Prepared: **MP**
Digitally signed by MP
Date: 2022.12.02
07:27:50 -08'00'

Verified: **PB**
Digitally signed by PB
Date: 2022.12.02
11:18:51 -08'00'

Dimensions are in millimeters.
Tolerances:
X: ± 0.5 mm
X.X: ± 0.3 mm
X.XX: ± 0.05 mm

Notes:
RoHS compliant
Jacket meets ISO 10993 Biological Compatibility
Phthalate and halogen free
Function test: no open, no short, no intermittent

Description:
Wire, 4C TS, 22 AWG, 150V, 70C, 4.4 mm, TPU, 75A, WBL

TENSILITY

tel 1.541.323.3228 800 877.670.7118
fax 1.541.323.4202 web tensility.com

Size: A Part number: 30-02648

Scale: 14:1 Sheet 1 of 1