



XR46014 Product Brief

High Voltage Constant Current Regulator

Description

The XR46014 is an 80V constant current regulator that can drive upto 250mA. Users may adjust the regulating current from 10mA to 250mA through an external resistor.

A linear type over temperature protection function protects the system by decrease the current linearly when the junction temperature of the chip is higher than 125°C. Multiple XR46014 chips can be connected in parallel to provide higher driving current capability.

The device is available in the SOT-223-3L package.

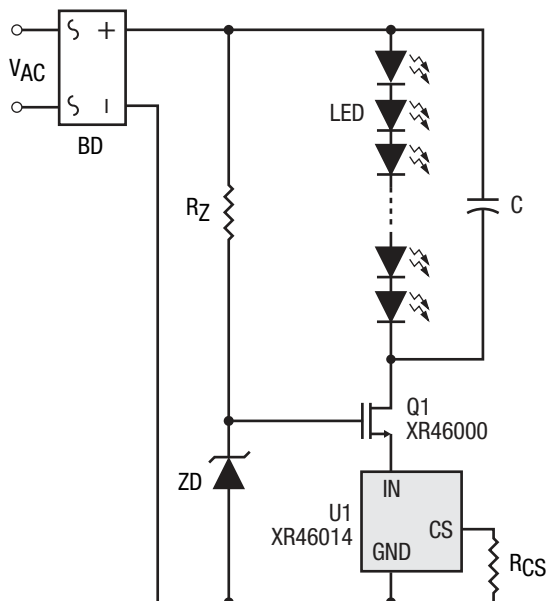
FEATURES

- 3V to 80V operation range
- 270mV low current sense voltage
- Linear over temperature protection
- Can be parallel connected for higher current

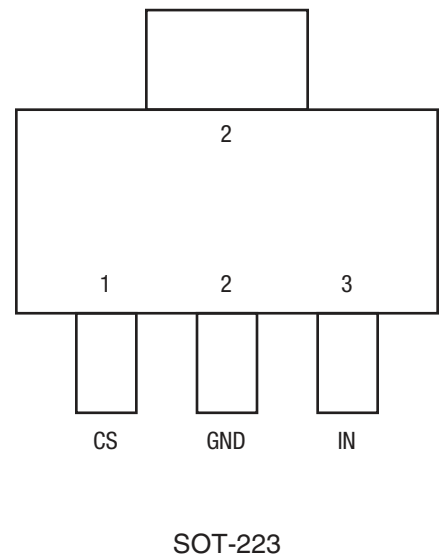
APPLICATIONS

- LED Lighting Applications
 - Downlight
 - High bay
 - Specialty
 - Architectural

Typical Application



Pin Configuration



Ordering Information⁽¹⁾

| Part Number | Operating Temperature Range | Lead-Free | Package | Packaging Method |
|--------------|--------------------------------|--------------------|---------|------------------|
| XR46014ISETR | -40°C ≤ T _J ≤ 125°C | Yes ⁽²⁾ | SOT-223 | Tape and reel |
| XR46014-EVB | Evaluation board for XR46014 | | | |

NOTE:

1. Refer to www.exar.com/XR46014 for most up-to-date Ordering Information.
2. Visit www.exar.com for additional information on Environmental Rating.

Please contact LEDtechsupport@exar.com to request a complete datasheet.



www.exar.com

48760 Kato Road
Fremont, CA 94538
USA

Tel.: +1 (510) 668-7000
Fax: +1 (510) 668-7001
Email: LEDtechsupport@exar.com

Exar Corporation reserves the right to make changes to the products contained in this publication in order to improve design, performance or reliability. Exar Corporation conveys no license under any patent or other right and makes no representation that the circuits are free of patent infringement. While the information in this publication has been carefully checked, no responsibility, however, is assumed for inaccuracies.

Exar Corporation does not recommend the use of any of its products in life support applications where the failure or malfunction of the product can reasonably be expected to cause failure of the life support system or to significantly affect its safety or effectiveness. Products are not authorized for use in such applications unless Exar Corporation receives, in writing, assurances to its satisfaction that: (a) the risk of injury or damage has been minimized; (b) the user assumes all such risks; (c) potential liability of Exar Corporation is adequately protected under the circumstances.

Reproduction, in part or whole, without the prior written consent of Exar Corporation is prohibited. Exar, XR and the XR logo are registered trademarks of Exar Corporation. All other trademarks are the property of their respective owners.