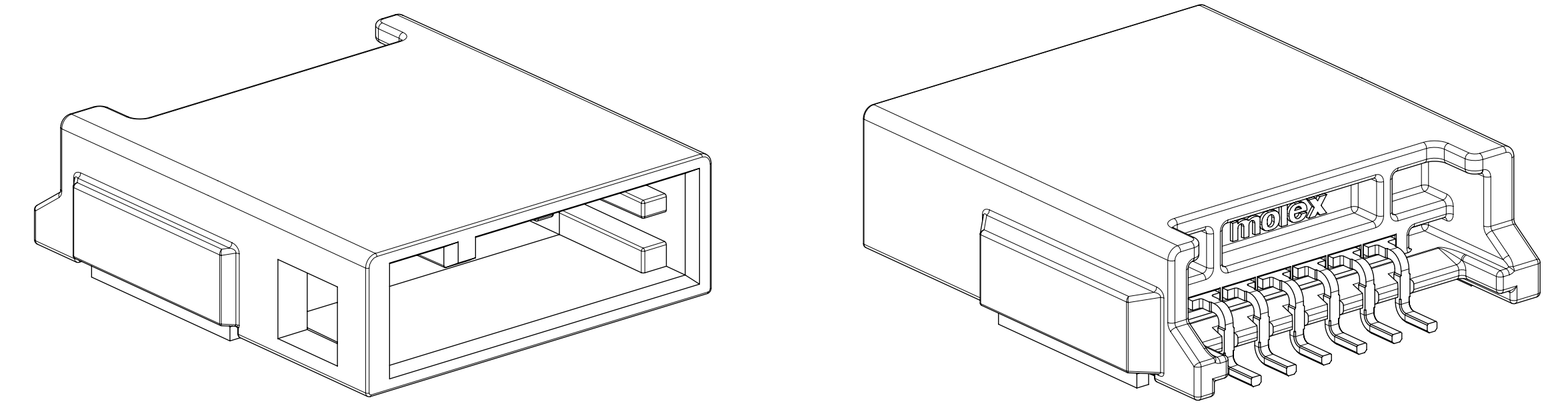


EXAMPLE:

PN 2080333041
 208033 - SERIES NUMBER: SINGLE ROW RIGHT ANGLE SMT HEADER - STD. PERF.
 3 - TYPE OF COMPONENT: V0 MATERIAL; FULLY POPULATED
 04 - 4 USABLE CIRCUITS
 1 - KEY A

FINAL PART: 4CKT SINGLE ROW RIGHT ANGLE V0 SMT HEADER - KEY A

CONNTAK50 SINGLE ROW RIGHT ANGLE SMT HEADERS (6CKT SHOWN)



NOTES:

VALID UNLESS OTHERWISE SPECIFIED

- GENERAL:
 - APPLICATION SPECIFICATION SEE: 2046310000-AS
 - PRODUCT SPECIFICATION SEE: 2046310000-PS
 - PACKAGING SPECIFICATION PER MOLEX DRAWING: 2080333021-PK
 - PACKAGING IS TAPE & REEL
 - COMPATIBLE WITH STANDARD AK INTERFACE C-114-94000-20 REV A1
 - CONFORMS TO MOLEX AK INTERFACE 2046310001 REV A
 - MOLEX AK INTERFACE IS PART OF PPAP
 - TRACEABILITY MARKED IN AREA SHOWN. MARK IS CODED AS FOLLOWS:
 - ROW 1 ("XXXXXXXX" OR "XXXXXXXX-X"):
 - "XXXXXXXX" IS MOLEX PART NUMBER ("-X" INDICATES ASSEMBLY LINE NUMBER IF APPLICABLE)
 - ROW 2 (HHDDYY Z)
 - 1ST & 2ND DIGITS (HH): HOUR OF ASSEMBLY (24 HOUR CLOCK) (EXAMPLE: 15:00 --> "15", 7:00 --> "07")
 - 3RD THRU 5TH DIGITS (DDD): JULIAN DATE (EXAMPLE: FEBRUARY 3RD --> "034")
 - 6TH & 7TH DIGITS (YY): LAST 2 DIGITS OF CALENDAR YEAR (EXAMPLE: 2013 --> "13")
 - 8TH DIGIT (Z): PERFORMANCE MARKING.
- DESIGN - MATERIALS:
 - SHROUD (PLASTIC HOUSING): PA9T-GF30%
 - BLADES:
 - STANDARD PERFORMANCE BLADES
 - BASE MATERIAL: C26000 BRASS
 - UNDERPLATING (CONTACT REGION): NICKEL 1.0 - 1.8 µm
 - OVERPLATING (CONTACT REGION): MATTE TIN: 1.0 - 3.0 µm
- DESIGN - GEOMETRY:
 - GEOMETRIC DIMENSIONS AND TOLERANCES PER ASME Y14.5M-2009

| | SERIES NUMBERS (AAAAAA) | TYPE OF COMPONENT (B) | USABLE CIRCUITS (CC) | KEY (D) |
|------------------|---|---|----------------------|-----------|
| MATING COMPONENT | 205827 - SR TANG RECEPTACLE | 2 - STD MATL; FULLY POPULATED 3 - V0 MATL; FULLY POPULATED | 02 - 2 Circuits | 1 - KEY A |
| ON DRAWING | 208037 - SR CLEAN BODY RECEPTACLE | | ... | 2 - KEY B |
| OTHER | 208033 - SR RIGHT ANGLE SMT HEADER - STANDARD PERF. | | ... | 3 - KEY C |
| | 208035 - SR VERTICAL SMT HEADER - STANDARD PERF. | | 11 - 11 Circuits | 4 - KEY D |

| INTERFACE | INTERFACE CKT SIZE | DIM A | DIM B | DIM C | DIM D | DIM E | DIM F | KEY | COLOR | PART NUMBER | TOOLING STATUS |
|-----------|--------------------|-------|-------|-------|-------|-------|-------|-----|---------|-------------|--------------------------|
| | 2 | 11.95 | 10.45 | 4.95 | 0.375 | 5.60 | 0.375 | A | BLACK | 2080333021 | AVAILABLE |
| | | | | | | | | B | NATURAL | 2080333022 | |
| | | | | | | | | C | BLUE | 2080333023 | |
| | | | | | | | | D | VIOLET | 2080333024 | |
| | 3 | 13.75 | 12.25 | 5.85 | 1.275 | 6.50 | 1.275 | A | BLACK | 2080333031 | AVAILABLE |
| | | | | | | | | B | NATURAL | 2080333032 | |
| | | | | | | | | C | BLUE | 2080333033 | |
| | | | | | | | | D | VIOLET | 2080333034 | |
| | 4 | 15.55 | 14.05 | 6.75 | 2.175 | 7.40 | 2.175 | A | BLACK | 2080333041 | AVAILABLE |
| | | | | | | | | B | NATURAL | 2080333042 | |
| | | | | | | | | C | BLUE | 2080333043 | |
| | | | | | | | | D | VIOLET | 2080333044 | |
| | 5 | 17.35 | 15.85 | 7.65 | 3.075 | 8.30 | 3.075 | A | BLACK | 2080333051 | AVAILABLE |
| | | | | | | | | B | NATURAL | 2080333052 | |
| | | | | | | | | C | BLUE | 2080333053 | |
| | | | | | | | | D | VIOLET | 2080333054 | |
| | 6 | 19.15 | 17.65 | 8.55 | 3.975 | 9.20 | 3.975 | A | BLACK | 2080333061 | AVAILABLE |
| | | | | | | | | B | NATURAL | 2080333062 | |
| | | | | | | | | C | BLUE | 2080333063 | |
| | | | | | | | | D | VIOLET | 2080333064 | |
| | 7 | 20.95 | 19.45 | 9.45 | 4.875 | 10.10 | 4.875 | A | BLACK | 2080333071 | INQUIRE FOR AVAILABILITY |
| | | | | | | | | B | NATURAL | 2080333072 | |
| | | | | | | | | C | BLUE | 2080333073 | |
| | | | | | | | | D | VIOLET | 2080333074 | |
| | 8 | 22.75 | 21.25 | 10.35 | 5.775 | 11.00 | 5.775 | A | BLACK | 2080333081 | INQUIRE FOR AVAILABILITY |
| | | | | | | | | B | NATURAL | 2080333082 | |
| | | | | | | | | C | BLUE | 2080333083 | |
| | | | | | | | | D | VIOLET | 2080333084 | |
| | 9 | 24.55 | 23.05 | 11.25 | 6.675 | 11.90 | 6.675 | A | BLACK | 2080333091 | INQUIRE FOR AVAILABILITY |
| | | | | | | | | B | NATURAL | 2080333092 | |
| | | | | | | | | C | BLUE | 2080333093 | |
| | | | | | | | | D | VIOLET | 2080333094 | |
| | 10 | 26.35 | 24.85 | 12.15 | 7.575 | 12.80 | 7.575 | A | BLACK | 2080333101 | INQUIRE FOR AVAILABILITY |
| | | | | | | | | B | NATURAL | 2080333102 | |
| | | | | | | | | C | BLUE | 2080333103 | |
| | | | | | | | | D | VIOLET | 2080333104 | |
| | 11 | 28.15 | 26.65 | 13.05 | 8.475 | 13.70 | 8.475 | A | BLACK | 2080333111 | INQUIRE FOR AVAILABILITY |
| | | | | | | | | B | NATURAL | 2080333112 | |
| | | | | | | | | C | BLUE | 2080333113 | |
| | | | | | | | | D | VIOLET | 2080333114 | |

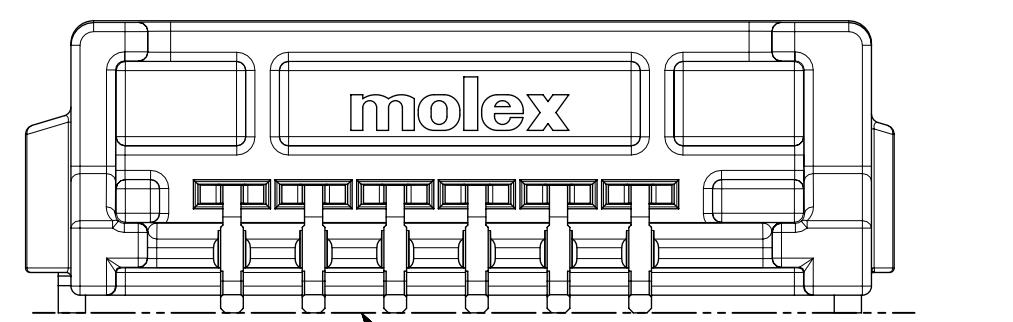
STANDARD PERF.
RIGHT ANGLE
V0 SMT HEADER

PERFORMANCE
MARK: S

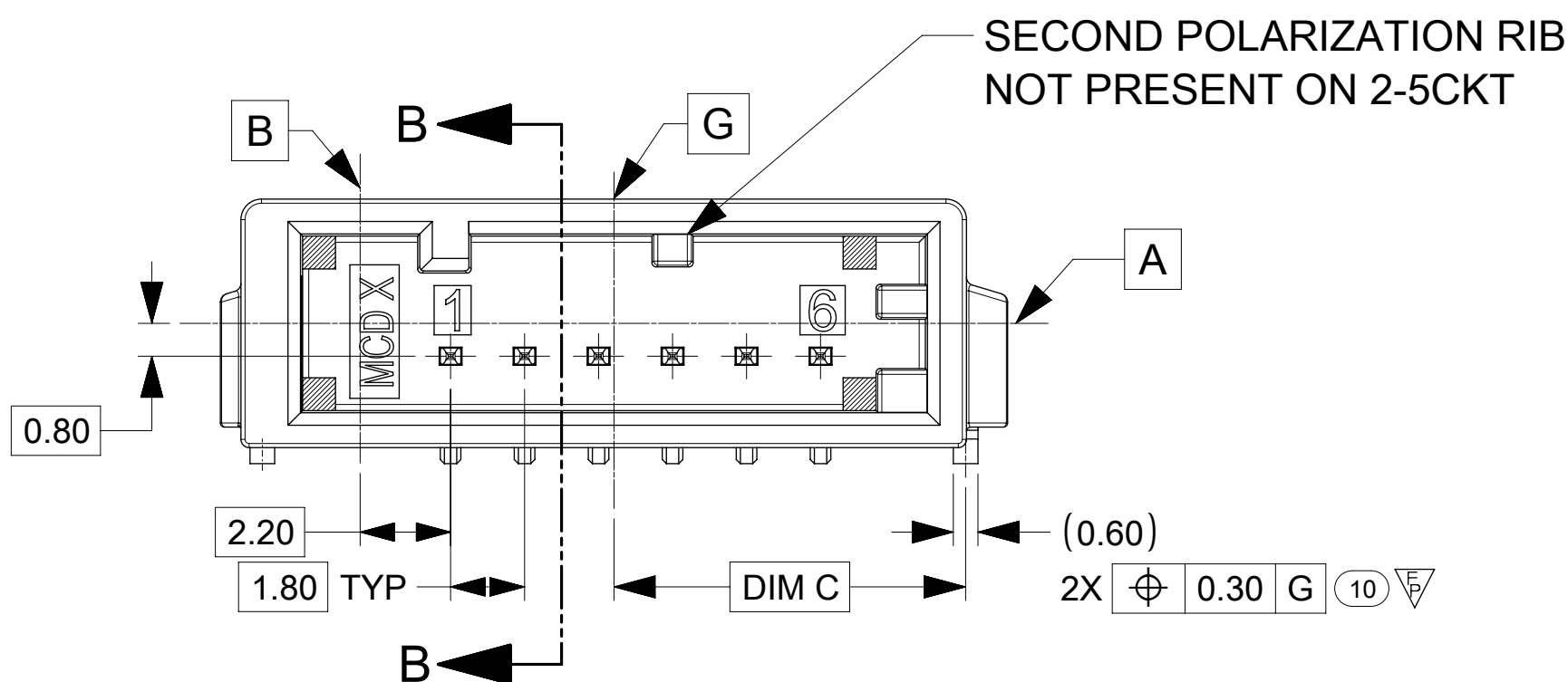
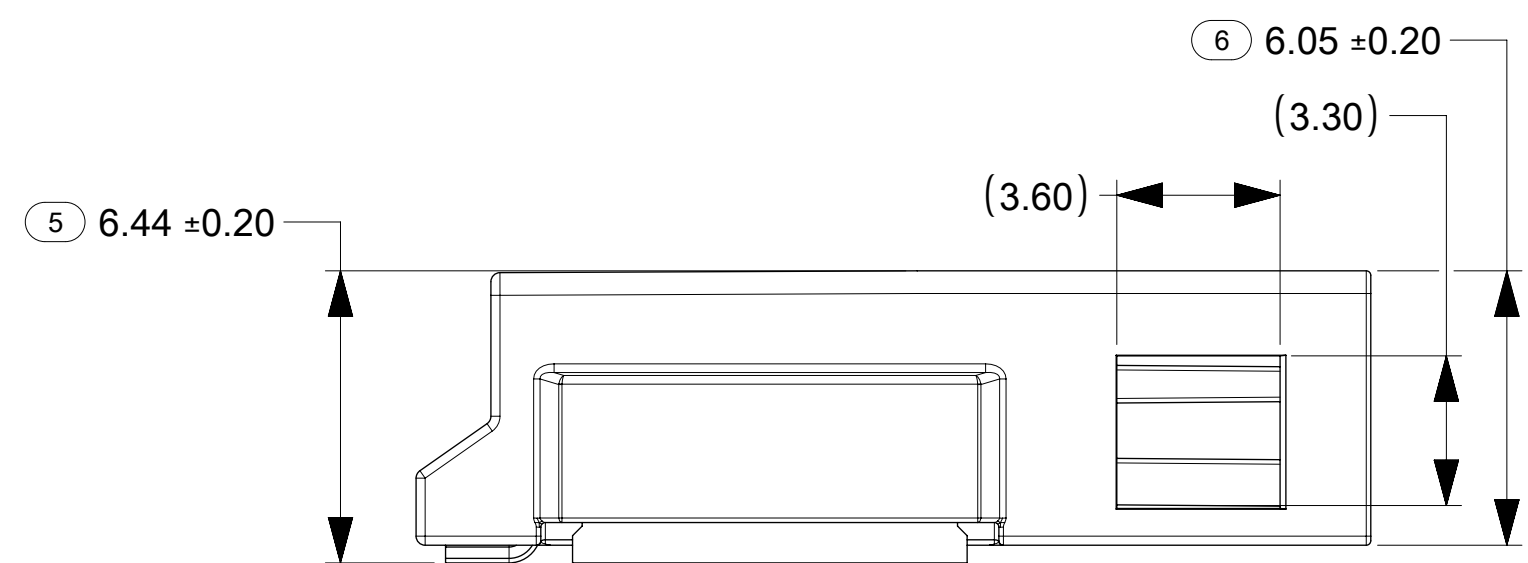
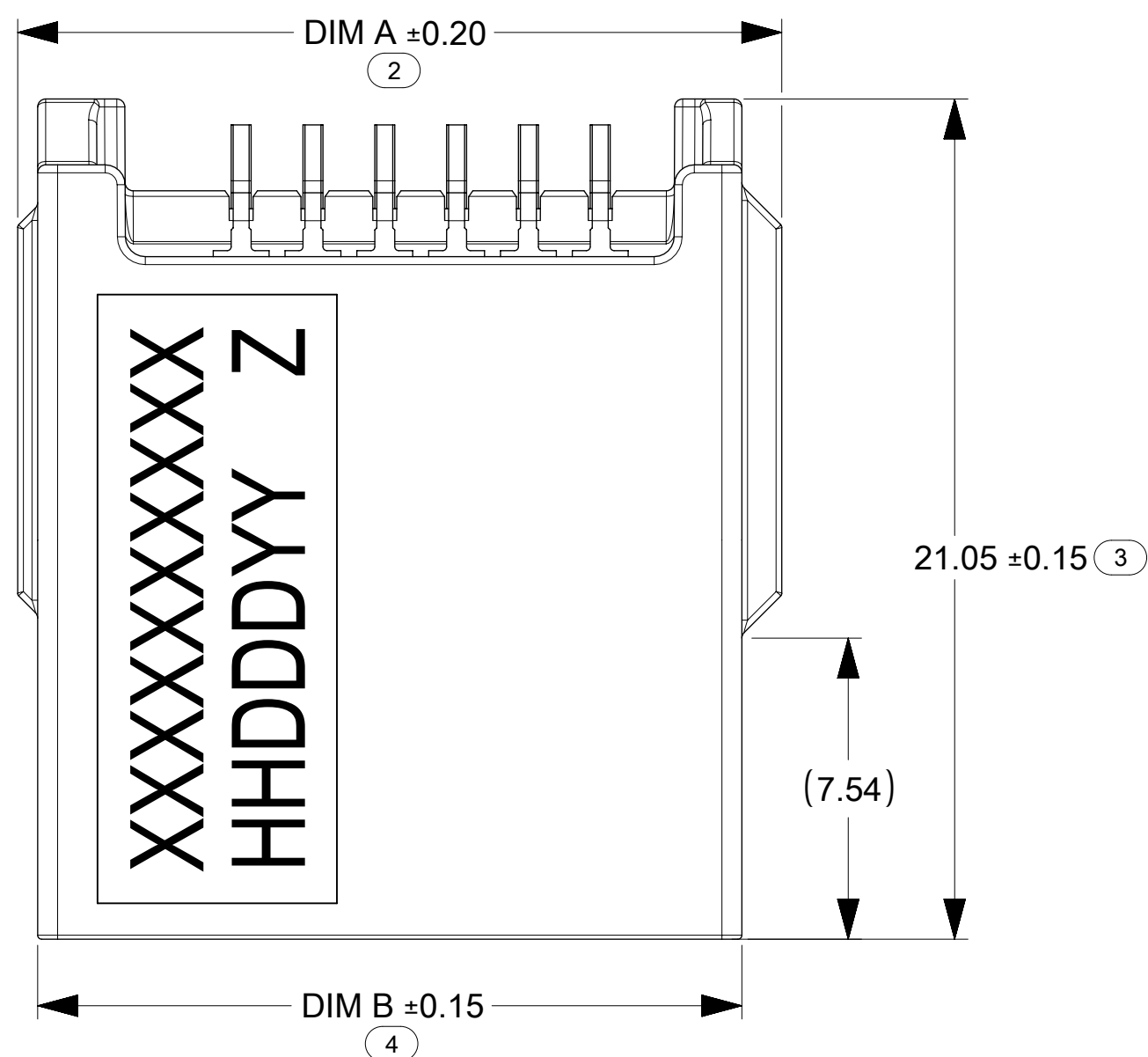
| | | | |
|---|--------------------------------|--|---|
| INSPECTION BALLOON LOG | | B4 | UPDATED: POL B COLOR FROM GREY TO NATURAL IN BOM |
| PER DRAWING REVISION: B4 | | B3 | NO CHANGE TO SALES DRAWING, CHANGED ENGINEERING AND ASSEMBLY DRAWINGS |
| LAST BALLOON USED: 13 | | B2 | UPDATED TOLERANCE ON DIM 6 FROM 0.05 TO 0.20MM |
| ADDED BALLOON NUMBERS: 10, 11, 12, 13 | | B1 | UPDATED SR CLEAN BODY SERIES NUMBER SHOWN IN TABLE, CORRECTED DIM D |
| REMOVED BALLOON NUMBERS: 7, 8 | | B | REMOVED DATUMS D, E, & F; ADDED DATUM G; UPDATED PCB LAYOUT; REMOVED DIM 7, 8; ADDED DIMS 10, 11, 12, 13; REMOVED HIGH PERFORMANCE PART NUMBERS; UPDATED STANDARD PERFORMANCE PLATING |
| THIS DRAWING CONTAINS INFORMATION THAT IS PROPRIETARY TO MOLEX ELECTRONIC TECHNOLOGIES, LLC AND SHOULD NOT BE USED WITHOUT WRITTEN PERMISSION | | A3 | UPDATED DIMS 7 & 8 FROM 0.20 TO 0.25MM; UPDATED DIM E; ADDED DIM 9 |
| DIMENSION UNITS: mm | | A2 | UPDATED VARIABLE DIMENSION TABLE; ORDER OF VARIABLE DIMENSIONS HAS CHANGED; DIM G IS CREATED. |
| SCALE: 5:1 | | A1 | LATCH WALL MODIFICATION; DATUM D & DATUM E CHANGE; TRACEABILITY MARKINGS ADDED |
| CURRENT REV DESC: | | REV | DESCRIPTION |
| GENERAL TOLERANCES (UNLESS SPECIFIED) | | CONNTAK50 SR R/A SMT SALES DRAWING (SINGLE ROW RIGHT ANGLE SMT HEADER) | |
| ANGULAR TOL ± ° | EC NO: 675538 | PRODUCT CUSTOMER DRAWING | |
| 4 PLACES ± | DRWN: KHEWITT 2021/08/19 | DOCUMENT NUMBER: 2080330003 | |
| 3 PLACES ± | CHK'D: VBALASUBRAMA 2021/08/23 | DOC TYPE: PSD | |
| 2 PLACES ± | APPR: JDUNAJ 2021/08/26 | DOC PART: 000 | |
| 1 PLACE ± | INITIAL REVISION: | REVISION: B4 | |
| 0 PLACES ± | DRWN: ECOLARUSSO 2018/11/05 | SHEET NUMBER: 1 OF 2 | |
| DRAFT WHERE APPLICABLE MUST REMAIN WITHIN DIMENSIONS | APPR: JDUNAJ 2018/12/20 | SERIES: 208033 | |
| THIRD ANGLE PROJECTION | DRAWING: D-SIZE | MATERIAL NUMBER: SEE TABLE | |
| | SERIES: 208033 | CUSTOMER: GENERAL MARKET | |

6CKT KEY A (2080333061) SHOWN EXCEPT WHERE NOTED

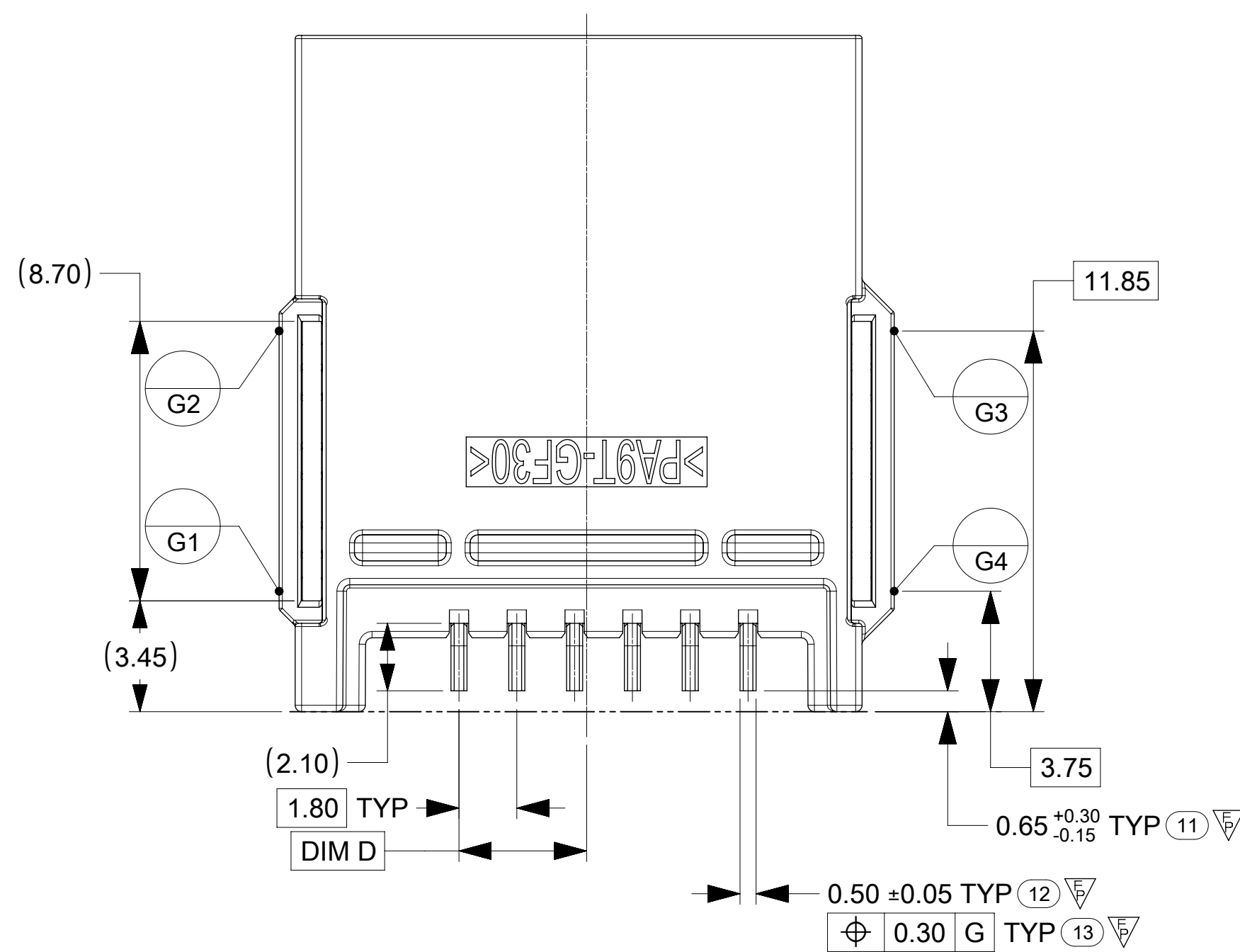
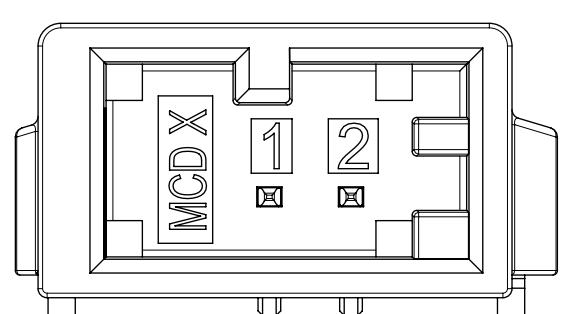
1.5 REFER TO 2046310001 FOR INTERFACE DIMENSIONS



0.10 TO ALL CONTACT SURFACES

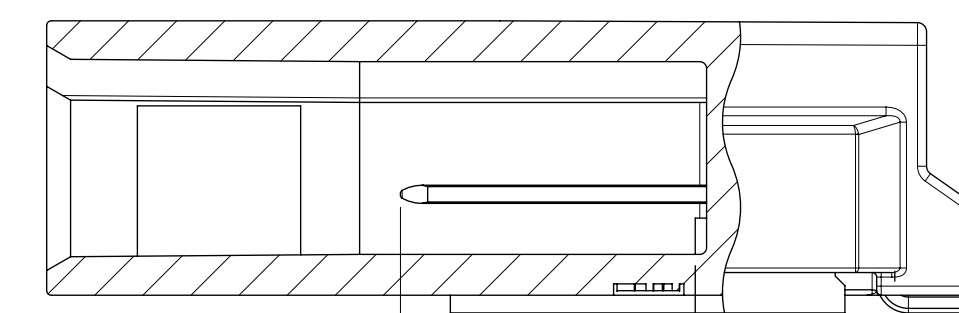
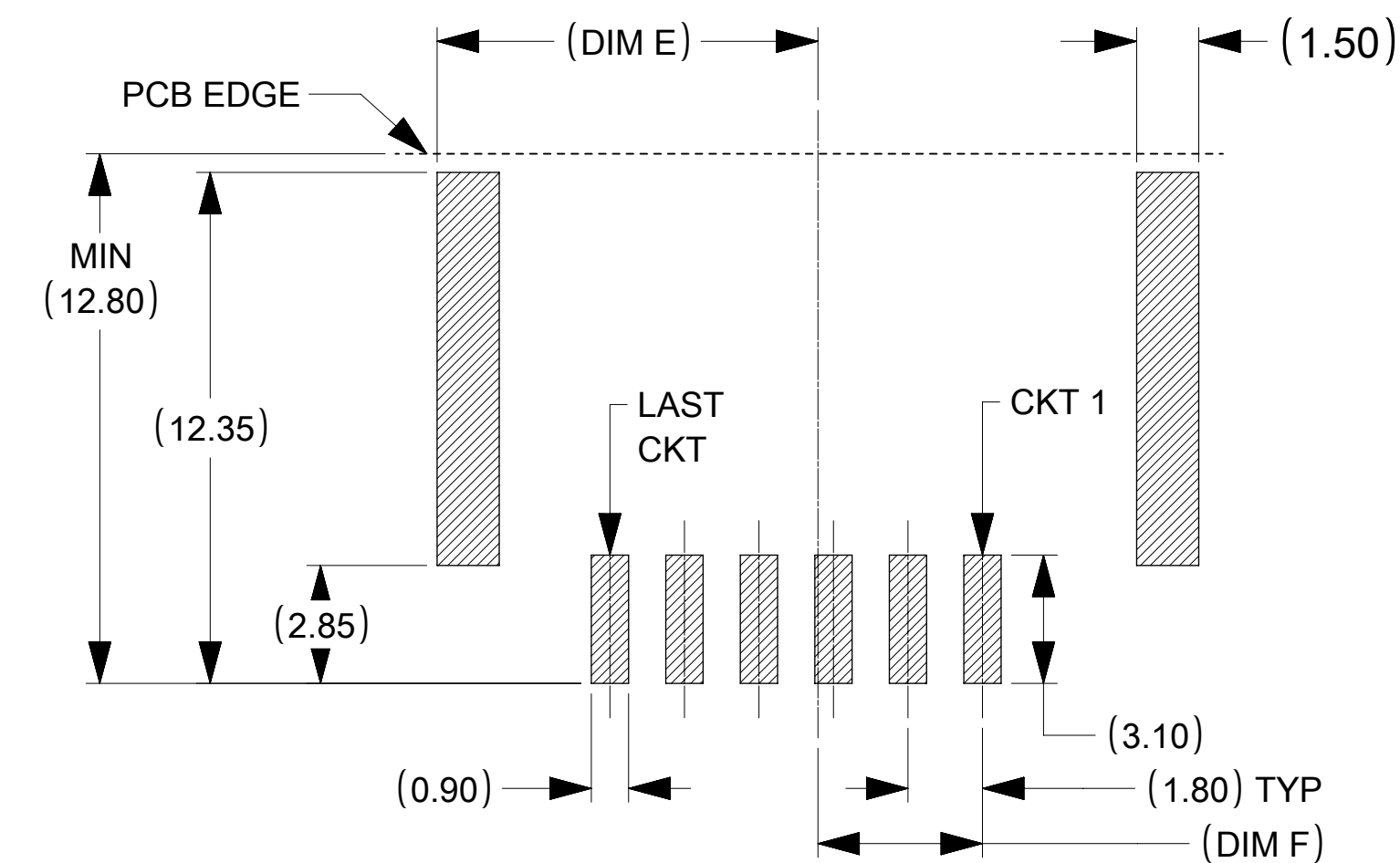


2CKT SHOWN FOR REFERENCE



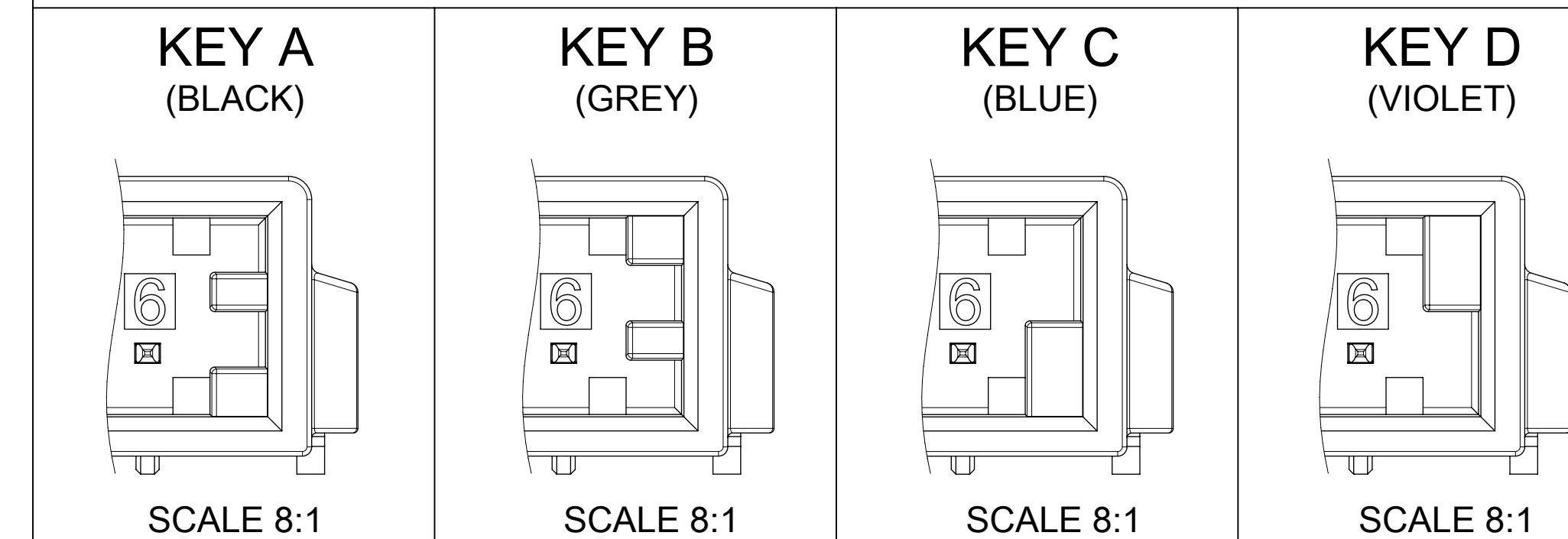
POSSIBLE PCB LAYOUT

LAND PATTERN SHOWN AT MMC



SECTION B-B
 6.50 ±0.20
 C

KEYING OPTIONS



THIS DRAWING CONTAINS INFORMATION THAT IS PROPRIETARY TO MOLEX ELECTRONIC TECHNOLOGIES, LLC AND SHOULD NOT BE USED WITHOUT WRITTEN PERMISSION

| | | | | | |
|--|-------|------------------------|------------|--|--------------|
| DIMENSION UNITS | SCALE | CURRENT REV DESC: | | molex | |
| mm | 6:1 | | | | |
| GENERAL TOLERANCES (UNLESS SPECIFIED) | | EC NO: 675538 | | CONNTAK50 SR R/A SMT SALES DRAWING (SINGLE ROW RIGHT ANGLE SMT HEADER) | |
| ANGULAR TOL | ± ° | DRWN: KHEWITT | 2021/08/19 | PRODUCT CUSTOMER DRAWING | |
| 4 PLACES | ± | CHK'D: VBALASUBRAMA | 2021/08/23 | DOCUMENT NUMBER | |
| 3 PLACES | ± | APPR: JDUNAJ | 2021/08/26 | 2080330003 | |
| 2 PLACES | ± | INITIAL REVISION: | | DOC TYPE | DOC PART |
| 1 PLACE | ± | DRWN: ECOLARUSSO | 2018/11/05 | PSD | 000 |
| 0 PLACES | ± | APPR: JDUNAJ | 2018/12/20 | REVISION | |
| DRAFT WHERE APPLICABLE MUST REMAIN WITHIN DIMENSIONS | | THIRD ANGLE PROJECTION | DRAWING | SERIES | SHEET NUMBER |
| | | D-SIZE | 208033 | SEE TABLE | 2 OF 2 |
| | | GENERAL MARKET | | | |