

MOLEX P/N	LENGTH	TOLERANCE	TWINAX CABLE		MECHANICAL SPECIFICATION	ELECTRICAL SPECIFICATION
			IMPEDANCE	AWG		
1001530994	.17M	±10mm	85 Ohms	34	SFF-8611	PCI EXPRESS OCuLink SPECIFICATION REV 1.0 EXCEPT RETURN LOSS AND FITTED IL
1001530995	.19M	±10mm	85 Ohms	34	SFF-8611	PCI EXPRESS OCuLink SPECIFICATION REV 1.0 EXCEPT RETURN LOSS AND FITTED IL
1001530996	.21M	±10mm	85 Ohms	34	SFF-8611	PCI EXPRESS OCuLink SPECIFICATION REV 1.0 EXCEPT RETURN LOSS AND FITTED IL
1001530997	.29M	±10mm	85 Ohms	34	SFF-8611	PCI EXPRESS OCuLink SPECIFICATION REV 1.0 EXCEPT RETURN LOSS AND FITTED IL
1001530998	.23M	±10mm	85 Ohms	34	SFF-8611	PCI EXPRESS OCuLink SPECIFICATION REV 1.0 EXCEPT RETURN LOSS AND FITTED IL
1001530999	.35M	±10mm	85 Ohms	34	SFF-8611	PCI EXPRESS OCuLink SPECIFICATION REV 1.0 EXCEPT RETURN LOSS AND FITTED IL
1001531000	.3M	±10mm	85 Ohms	34	SFF-8611	PCI EXPRESS OCuLink SPECIFICATION REV 1.0 EXCEPT RETURN LOSS AND FITTED IL
1001531001	.5M	±10mm	85 Ohms	34	SFF-8611	PCI EXPRESS OCuLink SPECIFICATION REV 1.0 EXCEPT RETURN LOSS AND FITTED IL
1001531002	.7M	±10mm	85 Ohms	34	SFF-8611	PCI EXPRESS OCuLink SPECIFICATION REV 1.0 EXCEPT RETURN LOSS AND FITTED IL
1001531003	1.0M	±15mm	85 Ohms	34	SFF-8611	PCI EXPRESS OCuLink SPECIFICATION REV 1.0 EXCEPT RETURN LOSS AND FITTED IL

- NOTES:
- MATERIALS:
 - BACKSHELLS - STR - GLASS FILLED LCP, UL94-V0
 - R/A - NYLON, UL94-V0
 - COLOR: BLACK
 - LATCHING - STAINLESS STEEL
 - CABLE - TWIN-AX SHIELD: ALUMINIZED POLYESTER FOIL
 - SIGNAL PAIR: SOLID SILVER PLATED COPPER
 - DRAIN: SOLID COATED COPPER
 - CONFORMS TO VW1
 - PCB - HALOGEN FREE
 - PLUG MATES TO RIGHT-ANGLE AND VERTICAL RECEPTACLE SERIES 173162.
 - RoHS COMPLIANT. NO EXEMPTIONS.

THIS DRAWING CONTAINS INFORMATION THAT IS PROPRIETARY TO MOLEX ELECTRONIC TECHNOLOGIES, LLC AND SHOULD NOT BE USED WITHOUT WRITTEN PERMISSION

QUALITY SYMBOLS	F = 0 E = 0 D = 0 C = 0 B = 0 A = 0 0 = 0	EC NO: 168788 DRWN: KBASAPPAKORA CHKD: KBASAPPAKORA REV APPR: RHSJ01	2017/11/23 2017/11/29 2017/11/30	GENERAL TOLERANCES (UNLESS SPECIFIED) ANGULAR TOL ± ° 4 PLACES ± 3 PLACES ± 2 PLACES ± 1 PLACE ± 0 PLACES ± DRAFT WHERE APPLICABLE MUST REMAIN WITHIN DIMENSIONS	DIMENSION UNITS: mm SCALE: NTS DRWN BY: TPRATT DATE: 2015/09/16 CHKD BY: MSTRACK DATE: 2016/10/13 APPR BY: CHIRSCHY DATE: 2016/10/14		NPIO R/A TO NPIO STR PASSIVE CABLE ASSEMBLY	PRODUCT CUSTOMER DRAWING	SERIES: 100153 MATERIAL NUMBER: SEE P/N TABLE CUSTOMER: GENERAL MARKET	DOCUMENT NUMBER: SD-100153-1000 DOC TYPE: PSD DOC PART: 000 SHEET NUMBER: 1 OF 3
-----------------	---	---	--	---	---	--	--	--------------------------	--	---

RELEASE STATUS	RELEASE DATE

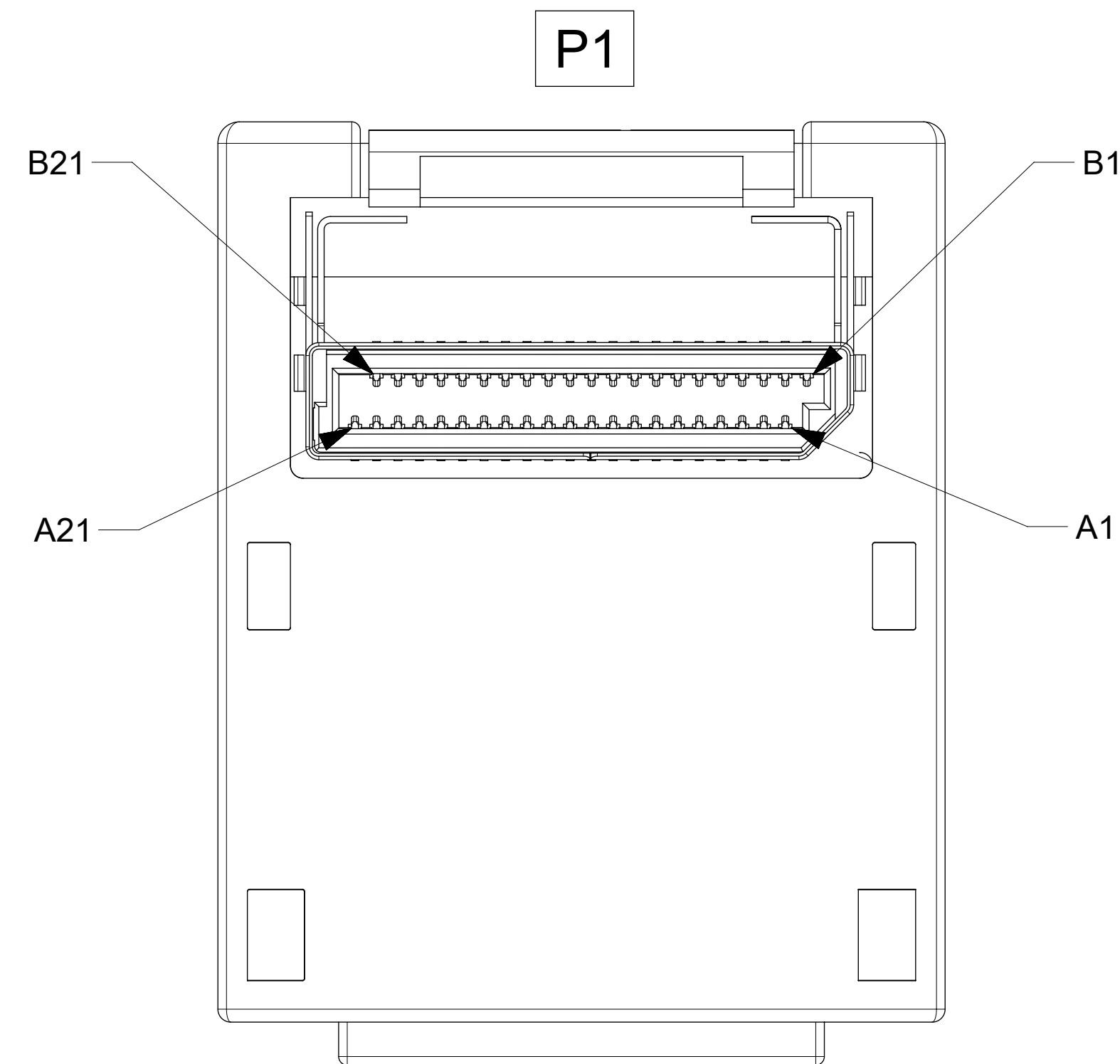
PINOUT TABLE

P1					P2				
PIN #	DESCRIPTION	SIGNAL TYPE	WIRE ID	AWG	PIN #	DESCRIPTION	SIGNAL TYPE	WIRE ID	AWG
A1	NO CONNECT	NC	NO WIRE		B1	NO CONNECT	NC	NO WIRE	
A2	GROUND	----	TWINAX1	34	B2	GROUND	----	TWINAX1	34
A3	PERp0	<---	TWINAX1	34	B3	PETp0	---	TWINAX1	34
A4	PERn0	<---	TWINAX1	34	B4	PETn0	---	TWINAX1	34
A5	GROUND	----	TWINAX2	34	B5	GROUND	----	TWINAX2	34
A6	PERp1	<---	TWINAX2	34	B6	PETp1	---	TWINAX2	34
A7	PERn1	<---	TWINAX2	34	B7	PETn1	---	TWINAX2	34
A8	GROUND	----	TWINAX3	34	B8	GROUND	----	TWINAX3	34
A9	BP_TYPE	<---	TWINAX3	34	B9	BP_TYPE	---	TWINAX3	34
A10	CWAKE#	<---	TWINAX3	34	B10	CWAKE#	---	TWINAX3	34
A11	GROUND	NC	NO WIRE		B11	GROUND	NC	NO WIRE	
A12	VSP+	<---	TWINAX4	34	B12	VSP+	<---	TWINAX4	34
A13	VSP-	<---	TWINAX4	34	B13	VSP-	<---	TWINAX4	34
A14	GROUND	----	TWINAX4	34	B14	GROUND	----	TWINAX4	34
A15	PERp2	<---	TWINAX5	34	B15	PETp2	---	TWINAX5	34
A16	PERn2	<---	TWINAX5	34	B16	PETn2	---	TWINAX5	34
A17	GROUND	----	TWINAX5	34	B17	GROUND	----	TWINAX5	34
A18	PERp3	<---	TWINAX6	34	B18	PETp3	---	TWINAX6	34
A19	PERn3	<---	TWINAX6	34	B19	PETn3	---	TWINAX6	34
A20	GROUND	----	TWINAX6	34	B20	GROUND	----	TWINAX6	34
A21	NO CONNECT	NC	NO WIRE		B21	NO CONNECT	NC	NO WIRE	
B1	NO CONNECT	NC	NO WIRE		A1	NO CONNECT	NC	NO WIRE	
B2	GROUND	----	TWINAX7	34	A2	GROUND	----	TWINAX7	34
B3	PETp0	---	TWINAX7	34	A3	PERp0	---	TWINAX7	34
B4	PETn0	---	TWINAX7	34	A4	PERn0	---	TWINAX7	34
B5	GROUND	----	TWINAX8	34	A5	GROUND	----	TWINAX8	34
B6	PETp1	---	TWINAX8	34	A6	PERp1	---	TWINAX8	34
B7	PETn1	---	TWINAX8	34	A7	PERn1	---	TWINAX8	34
B8	GROUND	----	TWINAX9	34	A8	GROUND	----	TWINAX9	34
B9	2-WIRE CLOCK	---	TWINAX9	34	A9	2-WIRE CLOCK	---	TWINAX9	34
B10	2-WIRE DATA	---	TWINAX9	34	A10	2-WIRE DATA	---	TWINAX9	34
B11	GROUND	NC	NO WIRE		A11	GROUND	NC	NO WIRE	
B12	PERST#	---	TWINAX10	34	A12	PERST#	---	TWINAX10	34
B13	CPRSNT#	---	TWINAX10	34	A13	CPRSNT#	---	TWINAX10	34
B14	GROUND	----	TWINAX10	34	A14	GROUND	----	TWINAX10	34
B15	PETp2	---	TWINAX11	34	A15	PERp2	---	TWINAX11	34
B16	PETn2	---	TWINAX11	34	A16	PERn2	---	TWINAX11	34
B17	GROUND	----	TWINAX11	34	A17	GROUND	----	TWINAX11	34
B18	PETp3	---	TWINAX12	34	A18	PERp3	---	TWINAX12	34
B19	PETn3	---	TWINAX12	34	A19	PERn3	---	TWINAX12	34
B20	GROUND	----	TWINAX12	34	A20	GROUND	----	TWINAX12	34
B21	NO CONNECT	NC	NO WIRE		A21	NO CONNECT	NC	NO WIRE	
TOOL ID: N-NNSB					TOOLID: N-NNSB				

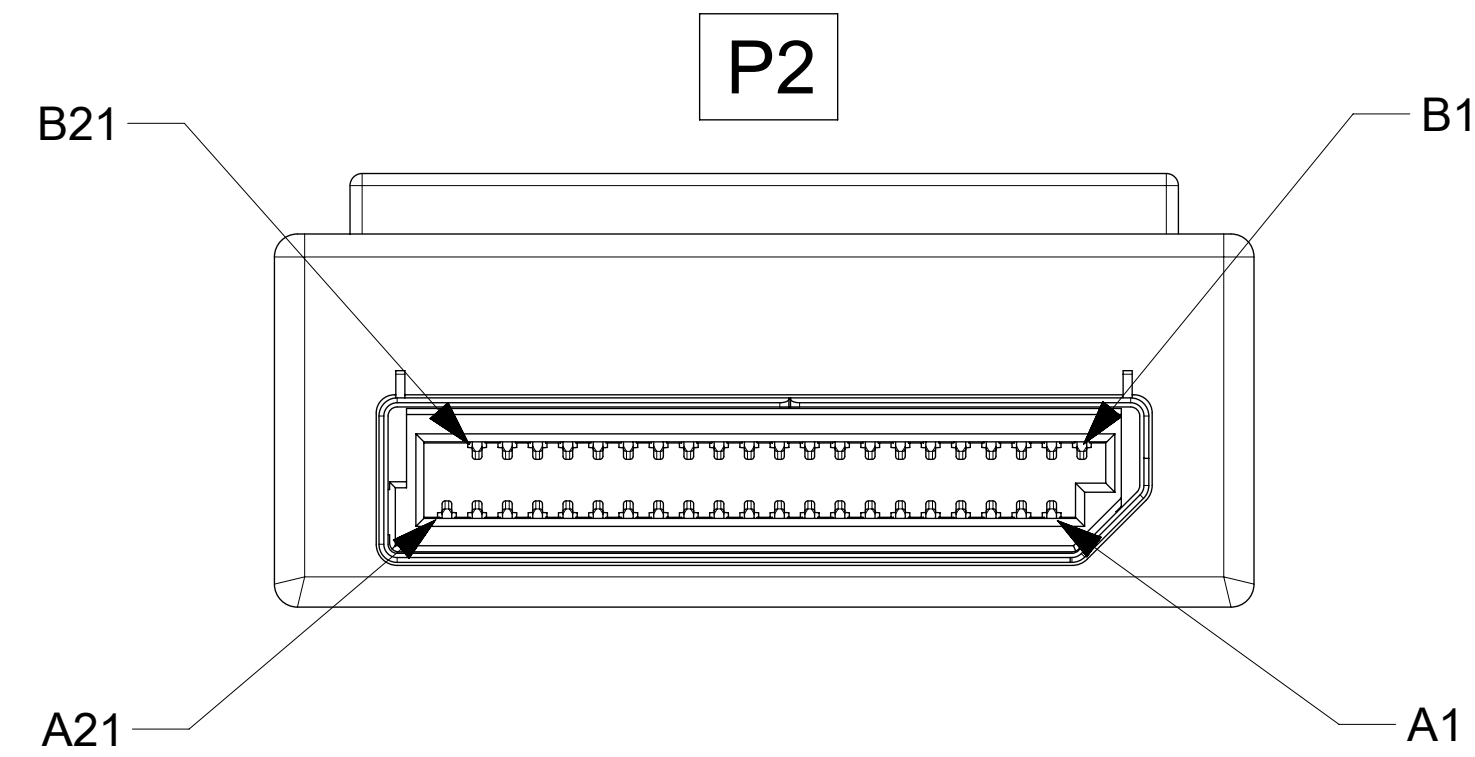
LEGEND

- = THRU LINE
- > = TRANSMIT TO RECEIVE ON HIGH SPEED LINE
- <--> = SIDEBAND
- NC = NOT CONNECTED

NOTE: CONNECTION DETERMINED BY PIN #. DESCRIPTION FOR REFERENCE ONLY.



VIEW FROM MATING END OF CONNECTOR

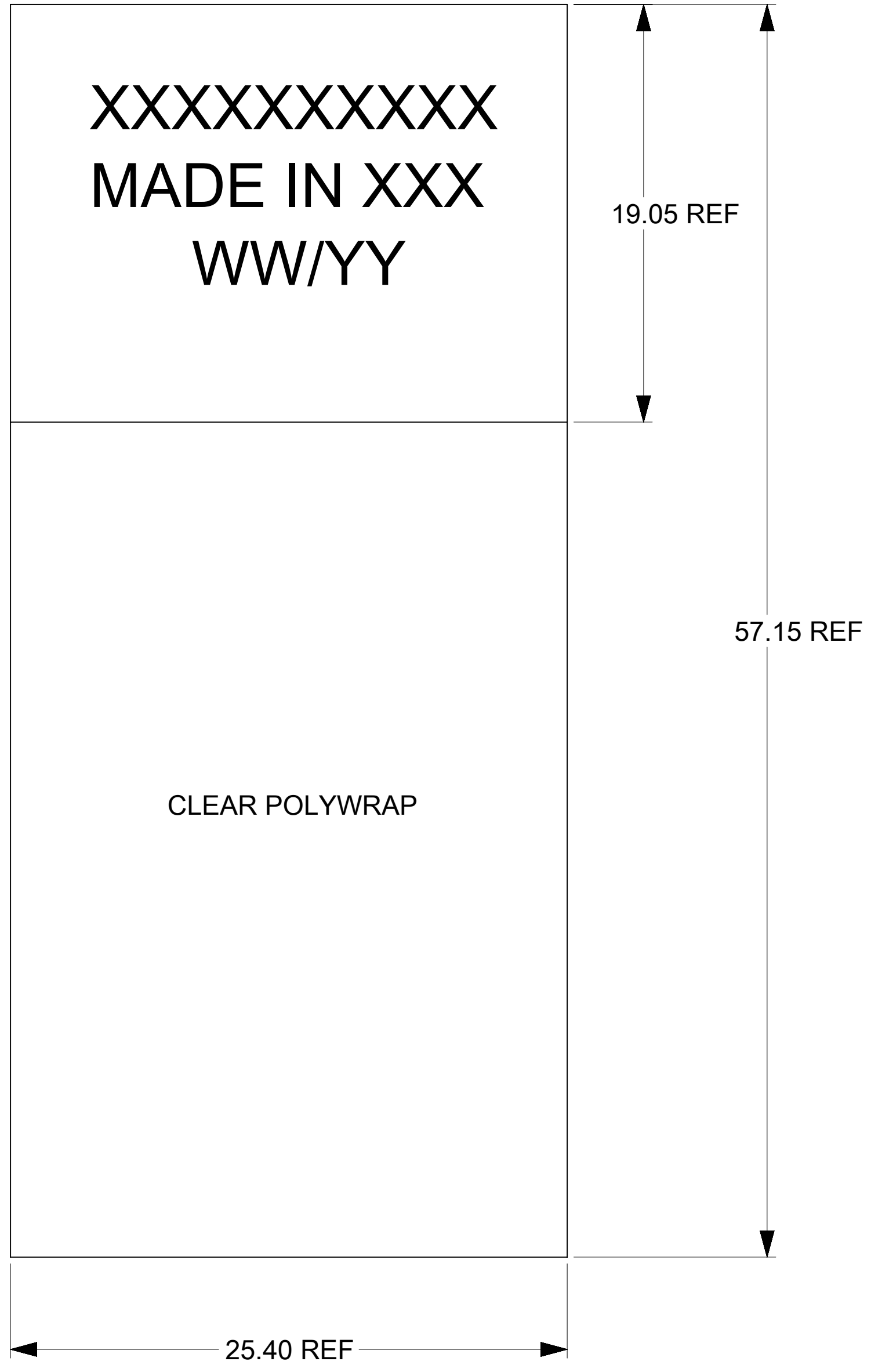


VIEW FROM MATING END OF CONNECTOR

QUALITY SYMBOLS F = 0 E = 0 D = 0 C = 0 B = 0 A = 0 0 = 0	THIS DRAWING CONTAINS INFORMATION THAT IS PROPRIETARY TO MOLEX ELECTRONIC TECHNOLOGIES, LLC AND SHOULD NOT BE USED WITHOUT WRITTEN PERMISSION			
	UPDATE DRAWING TITLE EC NO: 168788 DRWN: KBASAPPAKORA CHKD: KBASAPPAKORA REV APPR: RHSJ01	2017/11/23 2017/11/29 2017/11/30	GENERAL TOLERANCES (UNLESS SPECIFIED) ANGULAR TOL ± ° 4 PLACES ± 3 PLACES ± 2 PLACES ± 1 PLACE ± 0 PLACES ± DRAFT WHERE APPLICABLE MUST REMAIN WITHIN DIMENSIONS	DIMENSION UNITS: mm SCALE: NTS DRWN BY: TPRATT DATE: 2015/09/16 CHKD BY: MSTRACK DATE: 2016/10/13 APPR BY: CHIRSCHY DATE: 2016/10/14
RELEASE STATUS: P1 RELEASE DATE: 30.11.2017 03:02:03	SERIES: 100153 MATERIAL NUMBER: SEE P/N TABLE CUSTOMER: GENERAL MARKET	DOCUMENT NUMBER: SD-100153-1000 DOC TYPE: PSD DOC PART: 000 SHEET NUMBER: 2 OF 3		

LABEL DETAIL

MOLEX P/N ---->
 MANUFACTURING LOCATION ---->
 MANUFACTURE DATE ---->
 WW: WEEK OF YEAR
 YY: LAST TWO DIGITS OF YEAR



THIS DRAWING CONTAINS INFORMATION THAT IS PROPRIETARY TO MOLEX ELECTRONIC TECHNOLOGIES, LLC AND SHOULD NOT BE USED WITHOUT WRITTEN PERMISSION													
QUALITY SYMBOLS		UPDATE DRAWING TITLE			GENERAL TOLERANCES (UNLESS SPECIFIED)		DIMENSION UNITS		SCALE				
= 0	= 0	EC NO: 168788	DRWN: KBASAPPAKORA	2017/11/23	2017/11/29	4 PLACES ±	mm	NTS	NPIO R/A TO NPIO STR PASSIVE CABLE ASSEMBLY				
= 0	= 0	CHKD: KBASAPPAKORA	2017/11/30	2017/11/30	3 PLACES ±	ANGULAR TOL ± °	DRWN BY	DATE	PRODUCT CUSTOMER DRAWING				
= 0	= 0	REV: APPR: RHSJ01			2 PLACES ±	4 PLACES ±	TPRATT	2015/09/16	SERIES MATERIAL NUMBER CUSTOMER				
= 0	= 0				1 PLACE ±	3 PLACES ±	CHKD BY	DATE	100153	SEE P/N TABLE	GENERAL MARKET		
					0 PLACES ±	2 PLACES ±	MSTRACK	2016/10/13	DOCUMENT NUMBER DOC TYPE DOC PART SHEET NUMBER				
					DRAFT WHERE APPLICABLE MUST REMAIN WITHIN DIMENSIONS	0 PLACES ±	APPR BY	DATE	SD-100153-1000	PSD	000	3 OF 3	
							CHIRSCHY	2016/10/14					
							DRAWING SIZE	THIRD ANGLE PROJECTION					
							D						