

MOLEX P/N	LENGTH	TOLERANCE	RAW CABLE IMPEDANCE	AWG	MECHANICAL SPECIFICATION	ELECTRICAL SPECIFICATION
2002271000	300mm	±10mm	85 Ohms	34	SFF-8611	PCI EXPRESS OCuLink SPECIFICATION REV 1.0 EXCEPT RETURE LOSS AND FITTED IL
2002271001	500mm	±10mm	85 Ohms	34	SFF-8611	PCI EXPRESS OCuLink SPECIFICATION REV 1.0
2002271002	1000mm	±15mm	85 Ohms	34	SFF-8611	PCI EXPRESS OCuLink SPECIFICATION REV 1.0
2002271003	400mm	±10mm	85 Ohms	34	SFF-8611	PCI EXPRESS OCuLink SPECIFICATION REV 1.0
2002271156	110mm	±10mm	85 Ohms	34	SFF-8611	PCI EXPRESS OCuLink SPECIFICATION REV 1.0 EXCEPT RETURE LOSS AND FITTED IL

- NOTES:
- MATERIALS:
 - BACKSHELLS - STR - GLASS FILLED LCP, UL94-V0
 - R/A - NYLON, UL94-V0
 - COLOR: BLACK
 - LATCHING - STAINLESS STEEL
 - CABLE - TWIN-AX SHIELD: ALUMINIZED POLYESTER FOIL
 - SIGNAL PAIR: SOLID SILVER PLATED COPPER
 - DRAIN: SOLID COATED COPPER
 - CONFORMS TO VW1
 - PCB - HALOGEN FREE
 - PLUG MATES TO RIGHT-ANGLE AND VERTICAL RECEPTACLE SERIES 173162.
 - RoHS COMPLIANT. NO EXCEPTIONS.

THIS DRAWING CONTAINS INFORMATION THAT IS PROPRIETARY TO MOLEX ELECTRONIC TECHNOLOGIES, LLC AND SHOULD NOT BE USED WITHOUT WRITTEN PERMISSION

QUALITY SYMBOLS	EC NO: 169624 DRWN: KBASAPPAKORA CHKD: RHSU01 REV APPR: RHSU01	2017/11/16 2017/12/18 2017/12/18	GENERAL TOLERANCES (UNLESS SPECIFIED) ANGULAR TOL ± ° 4 PLACES ± 3 PLACES ± 2 PLACES ± 1 PLACE ± 0 PLACES ± DRAFT WHERE APPLICABLE MUST REMAIN WITHIN DIMENSIONS	DIMENSION UNITS: mm SCALE: NTS DRWN BY: RWHIPPLE DATE: 2016/06/09 CHKD BY: PKNAPP DATE: 2016/06/09 APPR BY: JCDEMPSEY DATE: 2016/06/15	
PRODUCT CUSTOMER DRAWING			SERIES: 200227 MATERIAL NUMBER: SEE TABLE CUSTOMER: GENERAL MARKET		
DOCUMENT NUMBER: 2002271000 DOC TYPE: PSD DOC PART: 000		SHEET NUMBER: 1 OF 3			

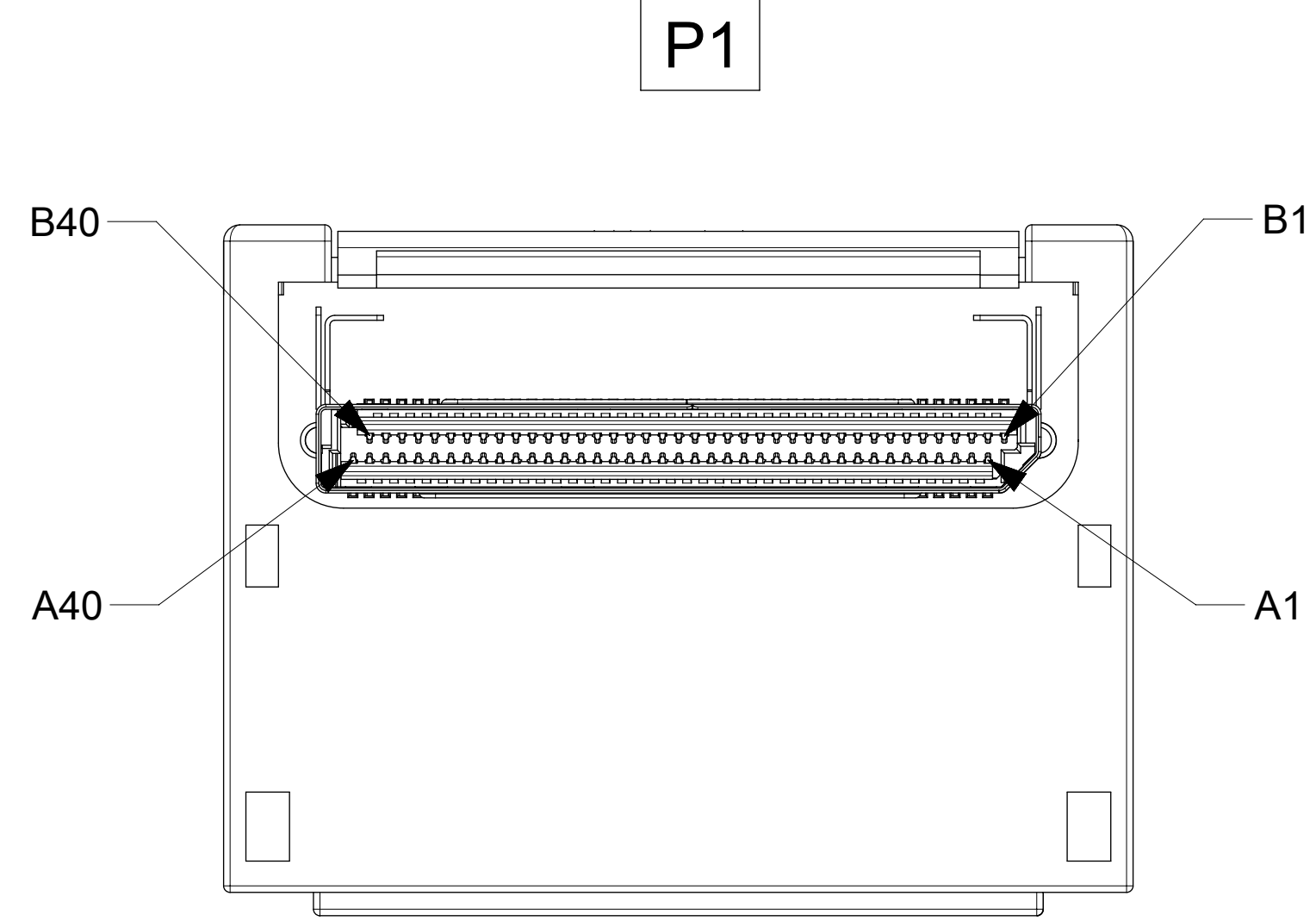
PINOUT TABLE

P1				P2	
PIN #	DESCRIPTION	SIGNAL TYPE	WIRE ID	PIN #	DESCRIPTION
A1	GROUND	----	TWINAX1	B1	GROUND
A2	PERp0	<---	TWINAX1	B2	PETp0
A3	PERn0	<---	TWINAX1	B3	PETn0
A4	GROUND	----	TWINAX2	B4	GROUND
A5	PERp1	<---	TWINAX2	B5	PETp1
A6	PERn1	<---	TWINAX2	B6	PETn1
A7	GROUND	----	TWINAX3	B7	GROUND
A8	BP_TYPEA	<---	TWINAX3	B8	BP_TYPEA
A9	CWAKEA#	<---	TWINAX3	B9	CWAKEA#
A10	RESERVED	NC	NO WIRE	B10	NO CONNECT
A11	VSPA+	<---	TWINAX4	B11	VSPA+
A12	VSPA-	<---	TWINAX4	B12	VSPA-
A13	GROUND	----	TWINAX4	B13	GROUND
A14	PERp2	<---	TWINAX5	B14	PETp2
A15	PERn2	<---	TWINAX5	B15	PETn2
A16	GROUND	----	TWINAX5	B16	GROUND
A17	PERp3	<---	TWINAX6	B17	PETp3
A18	PERn3	<---	TWINAX6	B18	PETn3
A19	GROUND	----	TWINAX6	B19	GROUND
A20	RESERVED	NC	NO WIRE	B20	NO CONNECT
A21	RESERVED	NC	NO WIRE	B21	NO CONNECT
A22	GROUND	----	TWINAX7	B22	GROUND
A23	PERp4	<---	TWINAX7	B23	PETp4
A24	PERn4	<---	TWINAX7	B24	PETn4
A25	GROUND	----	TWINAX8	B25	GROUND
A26	PERp5	<---	TWINAX8	B26	PETp5
A27	PERn5	<---	TWINAX8	B27	PETn5
A28	GROUND	----	TWINAX9	B28	GROUND
A29	BP_TYPEB	<---	TWINAX9	B29	BP_TYPEB
A30	CWAKEB#	<---	TWINAX9	B30	CWAKEB#
A31	RESERVED	NC	NO WIRE	B31	NO CONNECT
A32	VSPB+	<---	TWINAX10	B32	VSPB+
A33	VSPB-	<---	TWINAX10	B33	VSPB-
A34	GROUND	----	TWINAX10	B34	GROUND
A35	PERp6	<---	TWINAX11	B35	PETp6
A36	PERn6	<---	TWINAX11	B36	PETn6
A37	GROUND	----	TWINAX11	B37	GROUND
A38	PERp7	<---	TWINAX12	B38	PETp7
A39	PERn7	<---	TWINAX12	B39	PETn7
A40	GROUND	----	TWINAX12	B40	GROUND

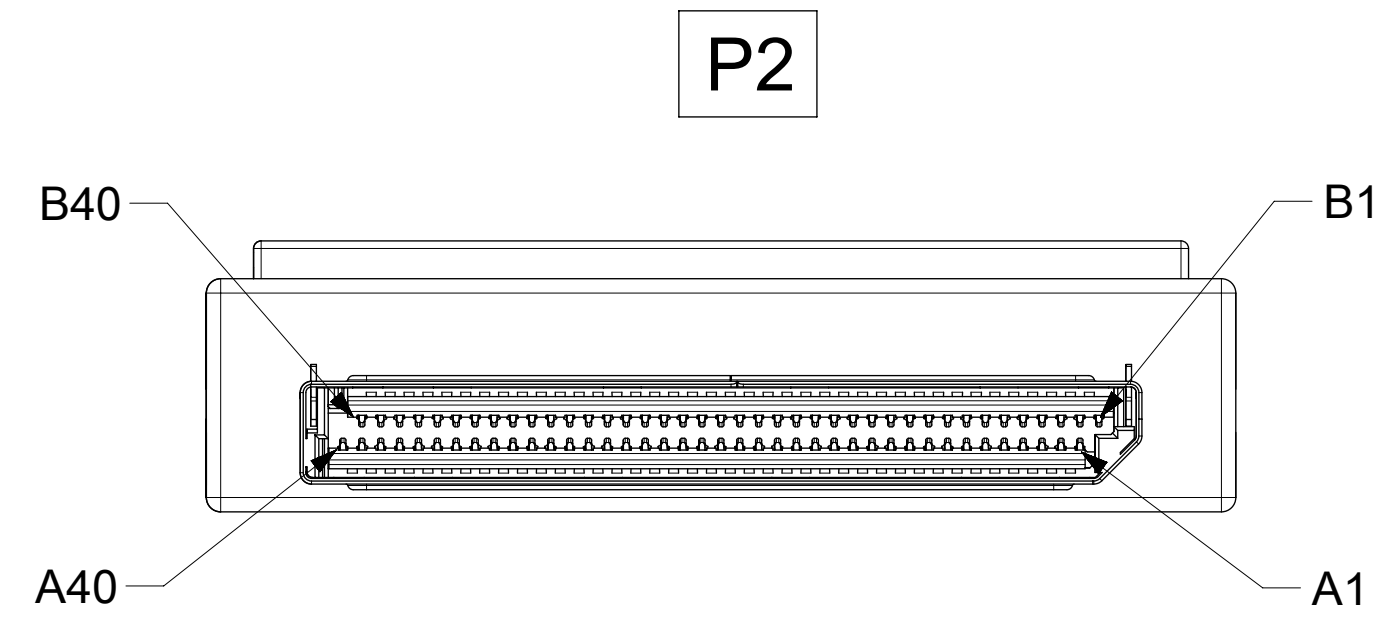
P1				P2	
PIN #	DESCRIPTION	SIGNAL TYPE	WIRE ID	PIN #	DESCRIPTION
B1	GROUND	----	TWINAX13	A1	GROUND
B2	PETp0	---	TWINAX13	A2	PERp0
B3	PETn0	---	TWINAX13	A3	PERn0
B4	GROUND	----	TWINAX14	A4	GROUND
B5	PETp1	---	TWINAX14	A5	PERp1
B6	PETn1	---	TWINAX14	A6	PERn1
B7	GROUND	----	TWINAX15	A7	GROUND
B8	2-WIRE CLOKCA	---	TWINAX15	A8	2-WIRE CLOKCA
B9	2-WIRE DATAA	---	TWINAX15	A9	2-WIRE DATAA
B10	NO CONNECT	NC	NO WIRE	A10	NO CONNECT
B11	PERSTA#	---	TWINAX16	A11	PERSTA#
B12	CPRSNTA#	---	TWINAX16	A12	CPRSNTA#
B13	GROUND	----	TWINAX16	A13	GROUND
B14	PETp2	---	TWINAX17	A14	PERp2
B15	PETn2	---	TWINAX17	A15	PERn2
B16	GROUND	----	TWINAX17	A16	GROUND
B17	PETp3	---	TWINAX18	A17	PERp3
B18	PETn3	---	TWINAX18	A18	PERn3
B19	GROUND	----	TWINAX18	A19	GROUND
B20	NO CONNECT	NC	NO WIRE	A20	NO CONNECT
B21	NO CONNECT	NC	NO WIRE	A21	NO CONNECT
B22	GROUND	----	TWINAX19	A22	GROUND
B23	PETp4	---	TWINAX19	A23	PERp4
B24	PETn4	---	TWINAX19	A24	PERn4
B25	GROUND	----	TWINAX20	A25	GROUND
B26	PETp5	---	TWINAX20	A26	PERp5
B27	PETn5	---	TWINAX20	A27	PERn5
B28	GROUND	----	TWINAX21	A28	GROUND
B29	2-WIRE CLOCKB	---	TWINAX21	A29	2-WIRE CLOCKB
B30	2-WIRE DATAB	---	TWINAX21	A30	2-WIRE DATAB
B31	NO CONNECT	NC	NO WIRE	A31	NO CONNECT
B32	PERSTB#	---	TWINAX22	A32	PERSTB#
B33	CPRSNTB#	---	TWINAX22	A33	CPRSNTB#
B34	GROUND	----	TWINAX22	A34	GROUND
B35	PETp6	---	TWINAX23	A35	PERp6
B36	PETn6	---	TWINAX23	A36	PERn6
B37	GROUND	----	TWINAX23	A37	GROUND
B38	PETp7	---	TWINAX24	A38	PERp7
B39	PETn7	---	TWINAX24	A39	PERn7
B40	GROUND	----	TWINAX24	A40	GROUND

LEGEND
 ---- = THRU LINE
 ---> = TRANSMIT TO RECEIVE ON HIGH SPEED LINE
 <--> = SIDEBAND
 NC = NOT CONNECTED

NOTE: CONNECTION DETERMINED BY PIN #. DESCRIPTION FOR REFERENCE ONLY.



VIEW FROM MATING END OF CONNECTOR



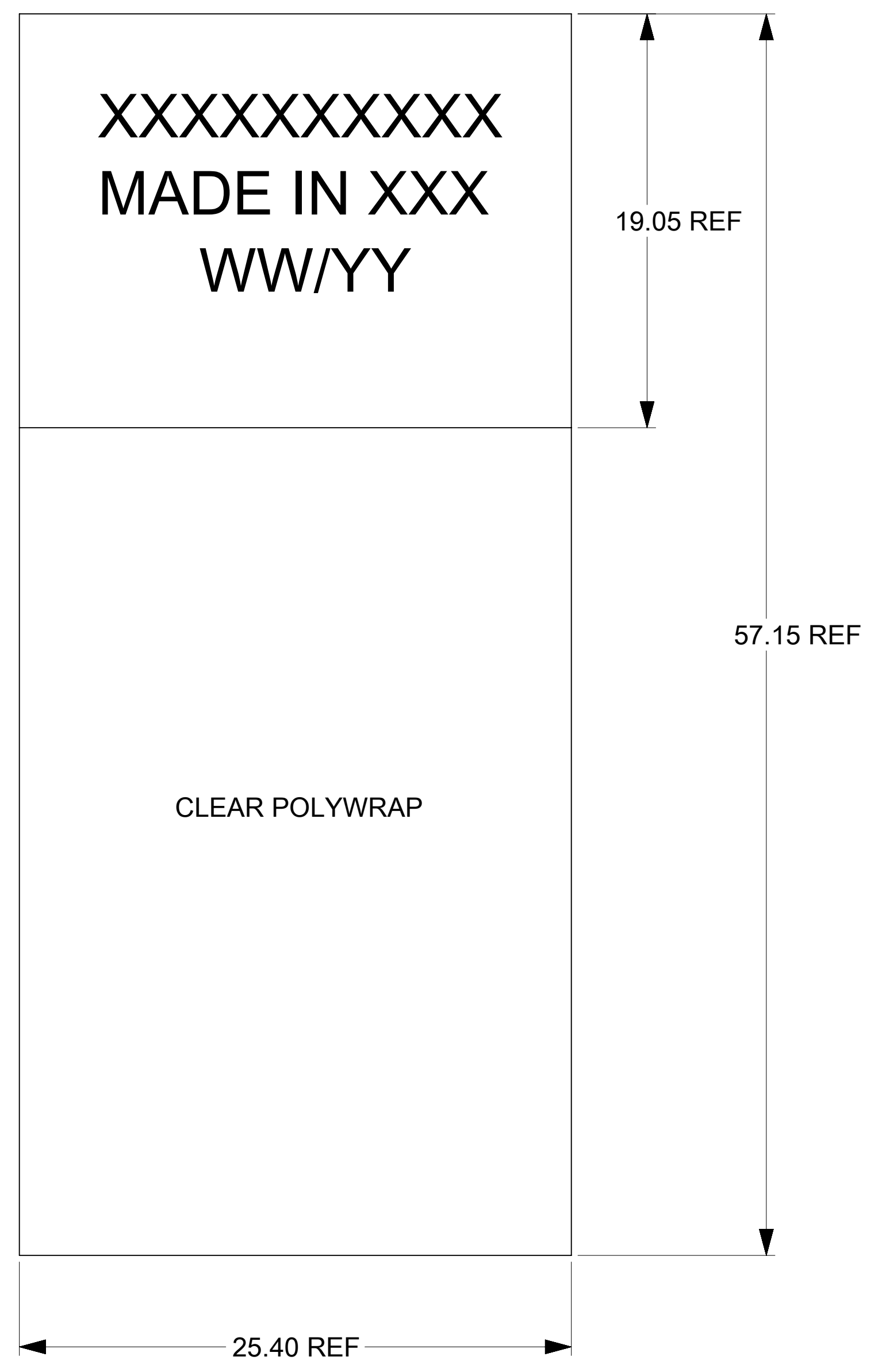
VIEW FROM MATING END OF CONNECTOR

QUALITY SYMBOLS	THIS DRAWING CONTAINS INFORMATION THAT IS PROPRIETARY TO MOLEX ELECTRONIC TECHNOLOGIES, LLC AND SHOULD NOT BE USED WITHOUT WRITTEN PERMISSION			
▽ = 0	EC NO: 169624 DRWN: KBASAPPAKORA CHKD: RHSU01 REV APPR: RHSU01	GENERAL TOLERANCES (UNLESS SPECIFIED)	DIMENSION UNITS	SCALE
▽ = 0		ANGULAR TOL ± °	mm	NTS
▽ = 0		4 PLACES ±	DRWN BY	DATE
▽ = 0		3 PLACES ±	RWHIPPLE	2016/06/09
▽ = 0		2 PLACES ±	CHKD BY	DATE
▽ = 0		1 PLACE ±	PKNAPP	2016/06/09
▽ = 0	0 PLACES ±	APPR BY	DATE	
▽ = 0	DRAFT WHERE APPLICABLE MUST REMAIN WITHIN DIMENSIONS	JCDEMPSEY	2016/06/15	
▽ = 0		DRAWING SIZE	THIRD ANGLE PROJECTION	
		D		
RELEASE STATUS	P1	RELEASE DATE	2017/12/18	02:43:12

molex		
NPIO 8X RAD TO NPIO 8X STRAIGHT		
PRODUCT CUSTOMER DRAWING		
SERIES	MATERIAL NUMBER	CUSTOMER
200227	SEE TABLE	GENERAL MARKET
DOCUMENT NUMBER	DOC TYPE	DOC PART SHEET NUMBER
2002271000	PSD	000 2 OF 3

LABEL DETAIL

MOLEX P/N ---->
 MANUFACTURING LOCATION ---->
 MANUFACTURE DATE ---->
 WW: WEEK OF YEAR
 YY: LAST TWO DIGITS OF YEAR



THIS DRAWING CONTAINS INFORMATION THAT IS PROPRIETARY TO MOLEX ELECTRONIC TECHNOLOGIES, LLC AND SHOULD NOT BE USED WITHOUT WRITTEN PERMISSION											
QUALITY SYMBOLS ▽ = 0 ▽ = 0 ▽ = 0 ▽ = 0 ▽ = 0 ▽ = 0 ▽ = 0 ▽ = 0 ▽ = 0	EC NO: 169624	DRWN: KBASAPPAKORA	2017/11/16	2017/12/18	2017/12/18	GENERAL TOLERANCES (UNLESS SPECIFIED)		DIMENSION UNITS	SCALE		
	DRWN: KBASAPPAKORA	CHKD: RHSU01	2017/11/16	2017/12/18	2017/12/18	ANGULAR TOL ± °		mm	NTS		
	REV: APPR: RHSU01	4 PLACES ±		RWHIPPLE		DATE		2016/06/09		NPIO 8X RAD TO NPIO 8X STRAIGHT	
	3 PLACES ±		CHKD BY		DATE		2016/06/09				
	2 PLACES ±		APPR BY		DATE		2016/06/15		PRODUCT CUSTOMER DRAWING		
	1 PLACE ±		JCDEMPSEY		2016/06/15		DRAWING SIZE				THIRD ANGLE PROJECTION
0 PLACES ±		DRAFT WHERE APPLICABLE MUST REMAIN WITHIN DIMENSIONS		D				SERIES: 200227 MATERIAL NUMBER: SEE TABLE CUSTOMER: GENERAL MARKET			
E		DOCUMENT NUMBER: 2002271000		DOC TYPE: PSD		DOC PART: 000		SHEET NUMBER: 3 OF 3			