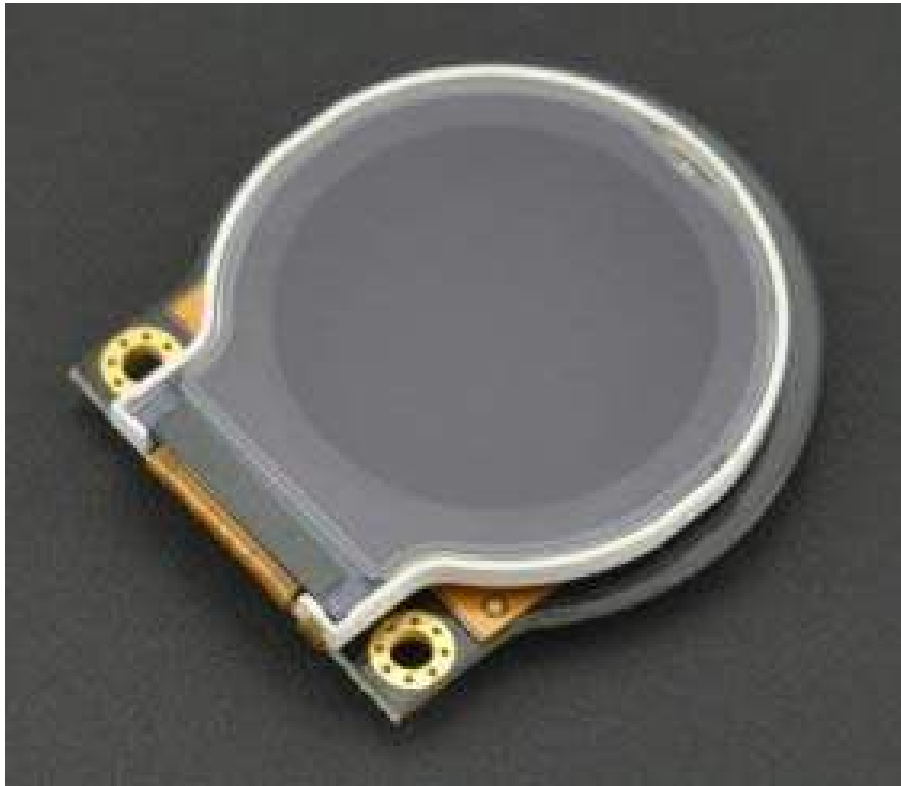


2.2" TFT LCD Display V1.0 (SPI Interface)

SKU:DFR0529



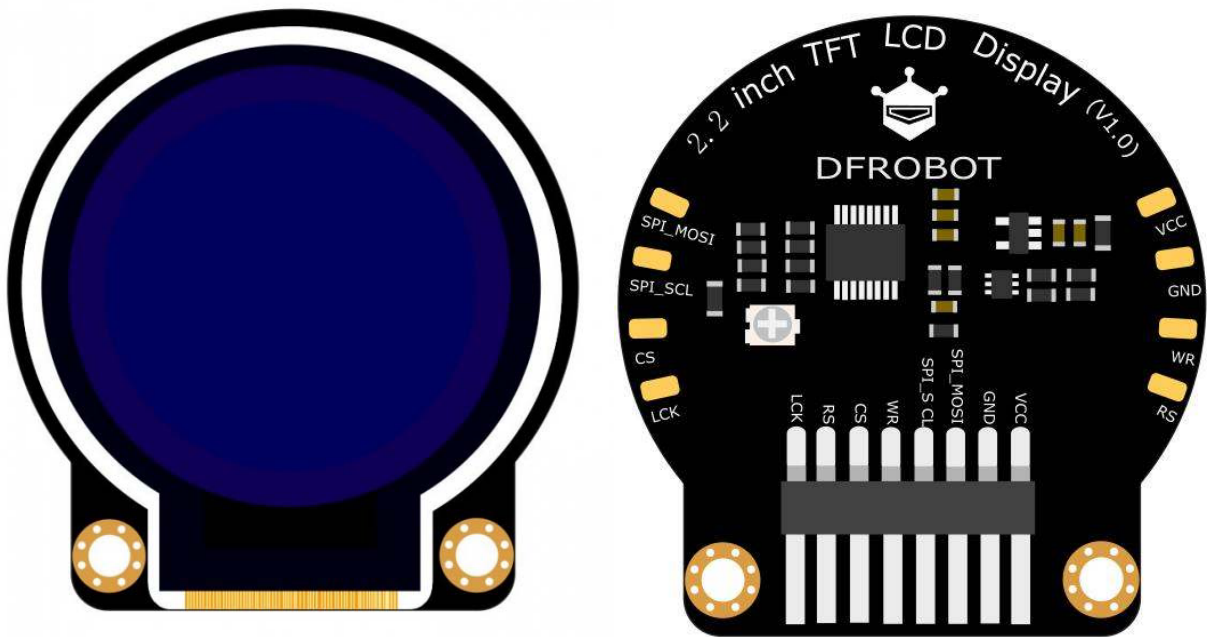
Introduction

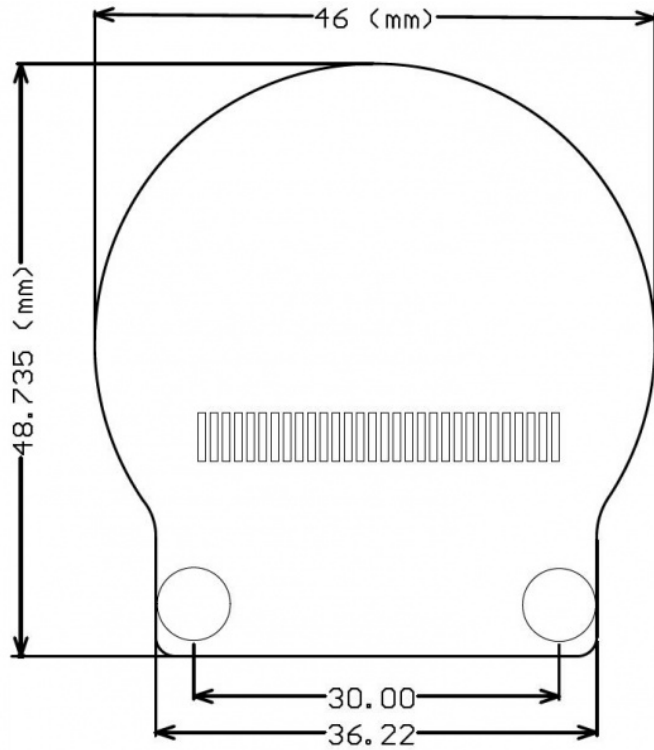
This is a 2.2" TFT LCD Display Module with an input voltage of 3.3V~5.5V, which is used to display colorful patterns and characters. The fastest screen refresh speed is about 256ms. The module is able to display multiple patterns in a cycle and realize dynamic display effect. At present, there are 19 common defined colors in the library, and users can also customize 16-bit color codes. If we take the central point of the display as the origin of coordinates, the maximum absolute value of the positive and negative semi-axes will be 64.

Specification

- Supply Voltage: 3.3V~5.5V DC
- Operating Current: 40mA
- Display Color: multicolour
- Resolution: 128×128
- Refresh Rate: 10Hz (MAX)
- Interface Type: SPI
- Operating Temperature: -30°C~ 70°C
- Dimension: 46×49 mm/1.81×1.93"

Pinout and Dimension

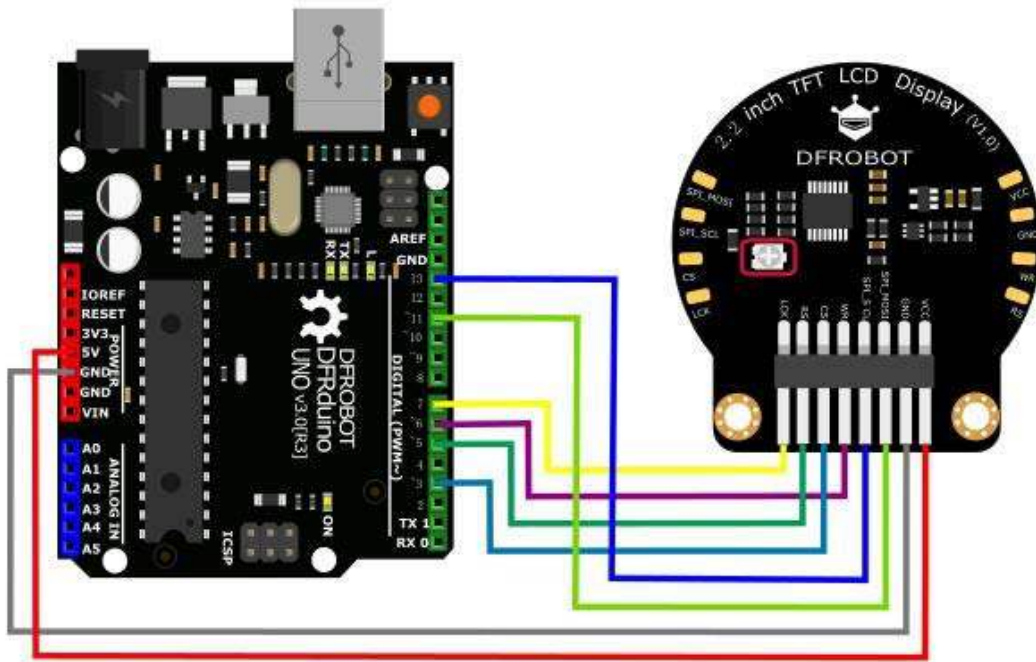




Name	Description
VCC	Positive Pole
GND	Negative Pole
SPI_MOSI	SPI Bus Master Output/Slave Input
SPI_SCL	Clock Signal
WR	LCD Data Input
CS	Chip Select
RS	LCD Internal Registers Select
LCK	LCD Internal Registers Clock Line

Arduino Platform Applications

Arduino Connection Diagram



Note: the brightness of the screen can be adjusted through the potentiometer(in the red box of the above diagram). Counterclockwise rotation to brighten the screen.

Tutorial

Hardware

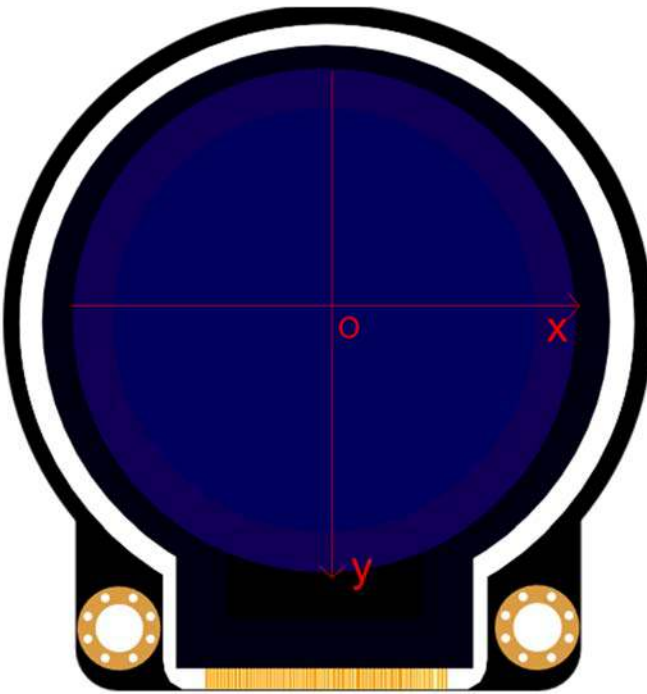
- 1 x UNO Microcontroller Board
- 1 x 2.2 inches TFT LCD Display Module

Software

- Arduino IDE, click to download [Arduino IDE](#)
- [ST7687S Library](#)
- [DFRobot-Display Library](#)
- Click to download [image2lcd.exe](#)
- [How to install the library?](#)

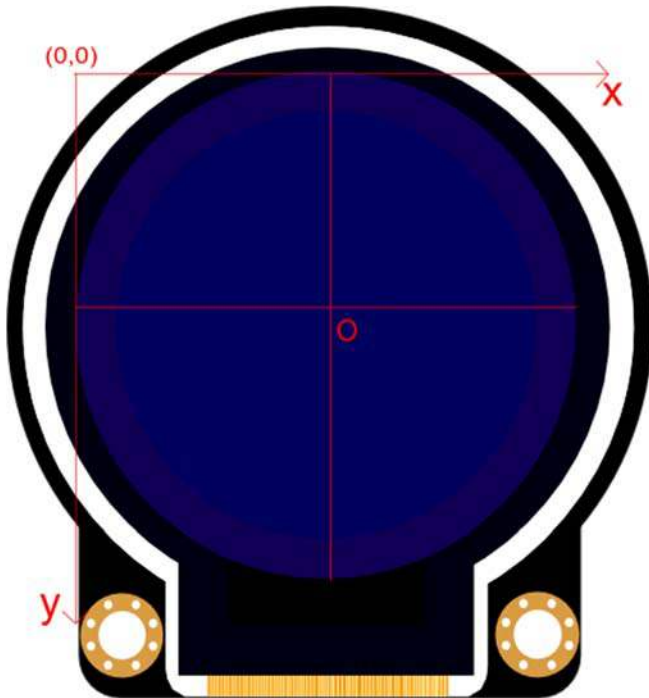
Coordinates Axis Diagram of the Screen

The graphic display coordinates and the text display coordinates of the 2.2" screen are two different coordinates systems. The origin of the graphic display coordinates begin from the centre point of the screen while that of the later one begins from the top left hand side of the screen.



The coordinates of the centre point of the screen O: (0,0)

The vertex coordinates of the screen: (0, -64), (64, 0), (0, 64), (-64, 0)



The coordinates of the centre point of the screen O: (64,64)

The vertex coordinates of the screen: (64,0), (128, 64), (64,128), (0,64)

API Function

The following codes are just one part of the API function description. For more information, please refer to *ST7687S Library Introduction* and *Display Library Introduction*.

```
/*!
 * @The functionality of the function: set the size of the text
 *
 * @The formal parameter size refers to the text size based on the font(6×8). Size is
rounded to the integer greater than 0; if size is 1, the pixel points the font
occupied will be 6×8. if it is 2, that will be 12×16. The text out of the screen
cannot be displayed;
 *
 */
void setTextSize(uint8_t size)
/*!
 * @The functionality of the screen: refresh the color of the screen
 *
 * @The formal parameter color: values range[0, 65535] or 4-bit hexadecimal code
There are 19 common defined colors in the function library, and users can also
customize other colors;
 *
 */
void fillScreen(uint16_t color);
/*!
 * @the functionality of the function: draw pixel point
 *
 * @the formal parameter : the coordinate data of the pixel point x on the x axis,
values range[-128, 128]
 *
 * the coordinate data of the pixel y on the y axis, values
range[-128, 128] and the relationship between x and y should be:  $x^2 + y^2 \leq 128^2$ ;
 *
 * color : values range [0,65535]or 4-bit hexadecimal code ;
 *
 */
void drawPixel(int16_t x, int16_t y, uint16_t color);
/*!
 * @the functionality of the function :draw the line between the two points
 *
 * @the formal parameter : x0, x1;y0,y1values range[-128,128] the relationship between
(x0, y0) and (x1,y1) should be:  $x^2 + y^2 \leq 64^2$ ;
 *
 * color : set the color of the line, values range [0,65535] or 4-bit
hexadecimal code ;
 *
 */
void drawLine(int16_t x0, int16_t y0, int16_t x1, int16_t y1, uint16_t color);
/*!
 * @the functionality of the function : draw the horizontal line with the starting
point (x, y)
 * @the formal parameter : the coordinate of the starting point x on the x axis,
values range[-128,128]
 *
 * the coordinate of the starting point y on the y axis,
values range [-128,128] and the relationship of x and y should be:  $x^2 + y^2 \leq 64^2$ ;
```

```

*           width: the width of the horizontal line, values range [0,256]
*           color :set the color of the horizontal line, values range
[0,65535] or 4-bit hexadecimal code;
*
*/
void drawHLine(int16_t x, int16_t y, int16_t width, uint16_t color);
/*!
* @the functionality of the function :draw the vertical line with the starting point
(x, y)
*
* @the formal parameter : the coordinate of the starting point x on the x axis,
values range [-128,128]
*           the coordinate of the starting point y on the y axis,
values range [-128,128] and the relationship of x and y should be:  $x^2 + y^2 \leq 64^2$ ;
*           height: the height of the vertical line, values range [0,256]
*           color :set the color of the vertical line, values range [0,65535]
or 4-bit
hexadecimal code ;
*
*/
void drawVLine(int16_t x, int16_t y, int16_t height, uint16_t color);
/*!
* @the functionality of the function :set the initial coordinates of character
printing
*
* @the formal parameter : the coordinate of the starting point x on the x axis,
values:  $x \geq 0$ 
*           the coordinate of the starting y on the y axis, values  $y \geq 0$  and the
relationship of x and y should be:  $(x-64)^2 + (y-64)^2 \leq 6^2$  ;
*
*/
void setCursor(int16_t x, int16_t y);

```

Sample Code

The function of the program: realize the refreshing of the background color of the 2.2”screen and the switching of background color among red, white and black; there are 19 common defined color in the library, and users can also customize 4-bit hexadecimal code or decimal color code (0~65535) to alter the background color of the screen.

```

/*
* file DFRobot_ST7687S_Latch.ino
*
* @ https://github.com/DFRobot/DFRobot\_ST7687S
*
* connect with your board (please reference board compatibility)
*
* controler (uno)           DFRobot 2.2 inch tft lcd display
* SPI_SCK                   ----> SPI_SCL
* SPI_MOSI                  ----> SPI_MOSI
* 3                          ----> cs
* 5                          ----> rs

```

```

* 6          ----> wr
* 7          ----> lck
*
* show many graphics on board
*
* Copyright  [DFRobot](http://www.dfrobot.com), 2016
* Copyright  GNU Lesser General Public License
*
* version  V1.0
* date    2017-12-7
*/

#include "DFRobot_ST7687S_Latch.h"

#ifdef __AVR__
uint8_t pin_cs = 3, pin_rs = 5, pin_wr = 6, pin_lck = 7;
#else
uint8_t pin_cs = D3, pin_rs = D5, pin_wr = D6, pin_lck = D7;
#endif

DFRobot_ST7687S_Latch tft(pin_cs, pin_rs, pin_wr, pin_lck);

void setup(void)
{
  Serial.begin(115200);
  tft.begin();
}

void loop(void)
{
  delay(1000);
  tft.fillScreen(DISPLAY_RED); //fill screen with color
  delay(1000);
  tft.fillScreen(DISPLAY_WHITE);
  delay(1000);
  tft.fillScreen(DISPLAY_BLACK);
  delay(1000);
  tft.fillScreen(65535);//User-defined color code 65535:white
  delay(1000);
  tft.fillScreen(0x0000);//User-defined color code 0x0000:black
}

```



Sample Code

The function of the program: draw a circle with a center point coordinate (0,0), radius 20 and green arc at the centre of the screen, and fill the circle with red.

```
#include "DFRobot_ST7687S_Latch.h"

#ifdef __AVR__
uint8_t pin_cs = 3, pin_rs = 5, pin_wr = 6, pin_lck = 7;
#else
uint8_t pin_cs = D3, pin_rs = D5, pin_wr = D6, pin_lck = D7;
#endif

DFRobot_ST7687S_Latch tft(pin_cs, pin_rs, pin_wr, pin_lck);

void setup(void)
{
  Serial.begin(115200);
  tft.begin();
  tft.fillScreen(DISPLAY_WHITE);
}

void loop(void)
{
  tft.drawCircle(0, 0, 20, DISPLAY_GREEN); //draw circle
  delay(1000);
  tft.fillCircle(0, 0, 20, DISPLAY_RED); //fill circle
  delay(1000);
  tft.fillScreen(DISPLAY_WHITE);
  delay(1000);
}
```



Sample Code

The function of the program: draw a rectangle with a coordinate of the top left apex(-20,-20), length 40, width 40 and blue frame at the centre of the screen, and fill the rectangle with blue.

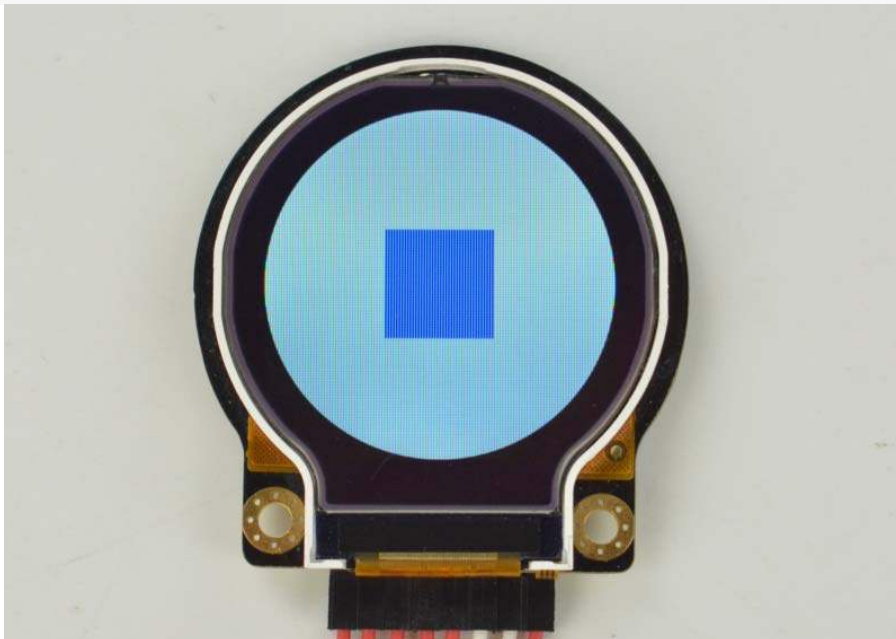
```
#include "DFRobot_ST7687S_Latch.h"

#ifdef __AVR__
uint8_t pin_cs = 3, pin_rs = 5, pin_wr = 6, pin_lck = 7;
#else
uint8_t pin_cs = D3, pin_rs = D5, pin_wr = D6, pin_lck = D7;
#endif

DFRobot_ST7687S_Latch tft(pin_cs, pin_rs, pin_wr, pin_lck);

void setup(void)
{
  Serial.begin(115200);
  tft.begin();
  tft.fillScreen(DISPLAY_WHITE);
}

void loop(void)
{
  tft.drawRect(-20, -20, 40, 40, DISPLAY_BLUE); //draw rectangle
  delay(1000);
  tft.fillRect(-20, -20, 40, 40, DISPLAY_BLUE); //fill rectangle
  delay(1000);
  tft.fillScreen(DISPLAY_WHITE);
  delay(1000);
}
```



Sample Code

The function of the program: draw a triangle with the coordinates of the three apexes (-20, -50), (0, 0) and (50, 20) and orange frame at the centre of the screen, and fill the triangle with orange.

```
#include "DFRobot_ST7687S_Latch.h"

#ifdef __AVR__
uint8_t pin_cs = 3, pin_rs = 5, pin_wr = 6, pin_lck = 7;
#else
uint8_t pin_cs = D3, pin_rs = D5, pin_wr = D6, pin_lck = D7;
#endif

DFRobot_ST7687S_Latch tft(pin_cs, pin_rs, pin_wr, pin_lck);

void setup(void)
{
  Serial.begin(115200);
  tft.begin();
  tft.fillScreen(DISPLAY_WHITE);
}

void loop(void)
{
  tft.drawTriangle(-20, -50, 0, 0, 50, 20, DISPLAY_ORANGE); //draw triangle
  delay(1000);
  tft.fillTriangle(-20, -50, 0, 0, 50, 20, DISPLAY_ORANGE); //fill triangle with
  color
  delay(1000);
  tft.fillScreen(DISPLAY_WHITE);
}
```



Sample Code

The function of the program: draw a red line segment through the points (-64, -64) and (64, 64); taking the point (-64, 0) as the starting point, draw a white horizontal line with a width of 128; taking the point (0, -64) as the starting point, draw a white vertical line with a height of 128. The three lines meet at the centre point of the screen (0, 0).

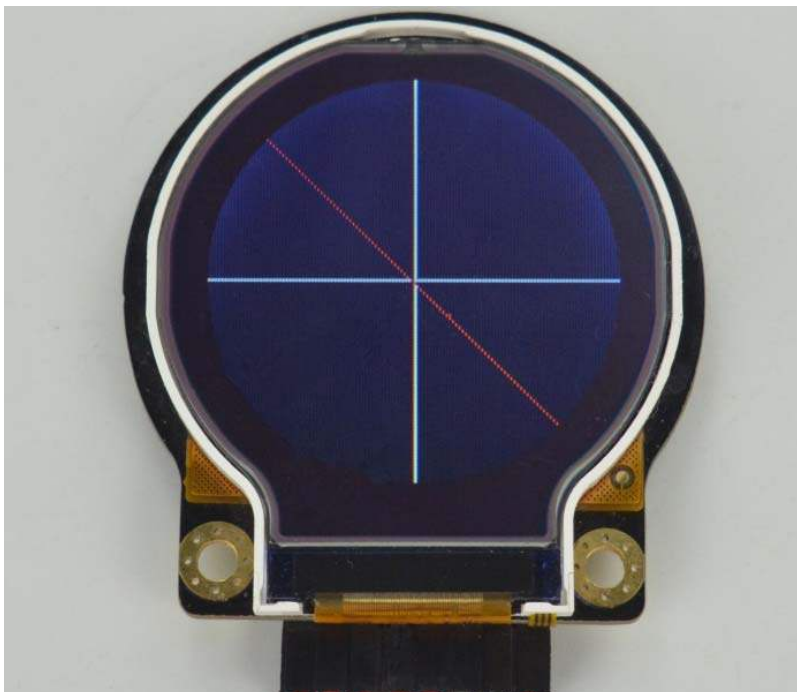
```
#include "DFRobot_ST7687S_Latch.h"

#ifdef __AVR__
uint8_t pin_cs = 3, pin_rs = 5, pin_wr = 6, pin_lck = 7;
#else
uint8_t pin_cs = D3, pin_rs = D5, pin_wr = D6, pin_lck = D7;
#endif

DFRobot_ST7687S_Latch tft(pin_cs, pin_rs, pin_wr, pin_lck);

void setup(void)
{
  Serial.begin(115200);
  tft.begin();
  tft.fillScreen(DISPLAY_BLACK);
}

void loop(void)
{
  tft.drawLine(-64, -64, 64, 64, DISPLAY_RED); //draw line
  tft.drawHLine(-64, 0, 128, DISPLAY_WHITE); //draw horizontal line
  tft.drawVLine(0, -64, 128, DISPLAY_WHITE); //draw vertical line
}
```



Sample Code

The function of the program: taking the centre point of the 2.2" screen as the starting point (note: the graphic display coordinates and the text display coordinates are two different coordinates, the centre point of the graphic display coordinates is (64, 64) while that of the later one is (0, 0)), display a character string "fire" with red text background box, white font and the size of the font 2 on the screen. The formal parameter size of the function to set font size `tft.setTextSize (uint8_t size)` should be greater than 0 and the text out of the screen cannot be displayed.

```
#include "DFRobot_ST7687S_Latch.h"

#ifdef __AVR__
uint8_t pin_cs = 3, pin_rs = 5, pin_wr = 6, pin_lck = 7;
#else
uint8_t pin_cs = D3, pin_rs = D5, pin_wr = D6, pin_lck = D7;
#endif

DFRobot_ST7687S_Latch tft(pin_cs, pin_rs, pin_wr, pin_lck);

void setup(void)
{
  Serial.begin(115200);
  tft.begin();
  tft.fillScreen(DISPLAY_BLACK);
}

void loop(void)
{
  tft.setCursor(64, 64);
  tft.setTextBackground(DISPLAY_RED); //set text background as black
  tft.setTextColor(DISPLAY_WHITE); //set text color as white
  tft.setTextSize(2); //2 * text size, default text size: 6 * 8
  tft.print("fire");
  delay(1000);
}
```





Note: you need to connect an external font chip GT30L to display Chinese characters as there is no font chip in the 2.2" display.

Sample Code

The function of the program: use the software image2lcd.exe to extract the bitmap of one image and display it on the centre part of the 2.2"screen(note: for the reason of UNO's internal memory, the following demo cannot be accepted on UNO since the image file is too large, but it can be displayed on ESP32. So you'd better choose small image file if you want to display it on UNO.) The parameter selection of the software is provided below.



```
#include "DFRobot_ST7687S_Latch.h"
#include "weixinpic.c"

#ifdef __AVR__
uint8_t pin_cs = 3, pin_rs = 5, pin_wr = 6, pin_lck = 7;
#else
uint8_t pin_cs = D3, pin_rs = D5, pin_wr = D6, pin_lck = D7;
#endif

DFRobot_ST7687S_Latch tft(pin_cs, pin_rs, pin_wr, pin_lck);
const unsigned char g[]={ /* 0X00,0X18,0X64,0X00,0X56,0X00,0X00,0X39, */
```

0XFE,0XFE,0XF4,0XFB,0XFA,0XF5,0XF9,0XFB,0XFD,0XF5,0XF7,0XFD,0XF0,0XF1,0XFA,0XFE,
0XFC,0XFF,0XFB,0XF5,0XF6,0XFF,0XFB,0XFC,0XFF,0XFC,0XFE,0XFC,0XFC,0XFE,0XFC,0XFB,
0XFF,0XFF,0XFC,0XFE,0XFF,0XFE,0XFE,0XFF,0XFE,0XFD,0XFB,0XFE,0XF8,0XFC,0XFD,0XF2,
0XFE,0XFB,0XF0,0XFC,0XF9,0XE9,0XF7,0XFA,0XE4,0XE6,0XF4,0XDB,0XC9,0XE3,0XC5,0X9F,
0XD7,0XB1,0X76,0XCE,0X9F,0X6A,0XC5,0X97,0X69,0XC3,0X95,0X6D,0XC3,0X96,0X6C,0XBD,
0X93,0X70,0XBD,0X93,0X74,0XBA,0X91,0X79,0XB8,0X90,0X80,0XBA,0X91,0X85,0XBD,0X92,
0X7F,0XC0,0X93,0X75,0XBF,0X8F,0X7C,0XC3,0X94,0X84,0XC5,0X99,0X7F,0XC4,0X98,0X85,
0XCD,0XA3,0X7D,0XCA,0XA1,0X7B,0XCA,0XA4,0X7E,0XC8,0XA6,0X82,0XC3,0XA5,0X86,0XBF,
0XA2,0X7C,0XC1,0X99,0X77,0XC3,0X95,0X72,0XC2,0X93,0X6C,0XBD,0X8E,0X67,0XB8,0X89,
0X63,0XB4,0X85,0X5F,0XB0,0X81,0X5B,0XAA,0X7B,0X5B,0XA6,0X78,0X58,0XA2,0X74,0X57,
0X9C,0X6F,0X65,0XA2,0X74,0X6C,0XA4,0X77,0X76,0XAD,0X80,0X81,0XB5,0X89,0X82,0XB6,
0X8B,0X7D,0XB4,0X89,0X77,0XB3,0X87,0X68,0XAC,0X82,0X56,0XA3,0X77,0X4F,0XA0,0X74,
0X4F,0XA4,0X77,0X4A,0X9C,0X6E,0X49,0X9A,0X6B,0X48,0X98,0X69,0X47,0X98,0X67,0X48,
0X97,0X66,0X4C,0X99,0X67,0X50,0X9C,0X69,0X57,0XA2,0X6F,0X62,0XAC,0X78,0X73,0XBB,
0X87,0X87,0XC3,0X94,0X9F,0XC7,0XA0,0XB1,0XCF,0XAA,0XCA,0XDA,0XBB,0XE5,0XE8,0XCC,
0XF8,0XF0,0XDA,0XFF,0XF7,0XE6,0XFF,0XFA,0XEB,0XFF,0XF9,0XED,0XFF,0XFC,0XF1,0XFC,
0XFA,0XEF,0XFD,0XF4,0XEA,0XFF,0XF1,0XE5,0XFB,0XEF,0XE0,0XF5,0XF1,0XDF,0XF4,0XF2,
0XDD,0XF4,0XEF,0XDA,0XF4,0XE9,0XD6,0XF5,0XE5,0XD5,0XF7,0XE7,0XD8,0XFC,0XEE,0XE0,
0XFF,0XF3,0XE9,0XFE,0XF7,0XED,0XFD,0XF9,0XEE,0XFE,0XFA,0XEF,0XFD,0XFB,0XF3,0XFB,
0XFA,0XF8,0XF8,0XFB,0XFD,0XEF,0XF4,0XFC,0XF6,0XF8,0XFE,0XF7,0XF4,0XFB,0XFF,0XFC,
0XFE,0XFF,0XFD,0XFD,0XFD,0XF8,0XF8,0XFE,0XFC,0XFD,0XFE,0XFD,0XFF,0XFF,0XFA,0XFA,
0XFF,0XFC,0XF8,0XFC,0XFB,0XF5,0XF6,0XFA,0XF0,0XF4,0XF7,0XEA,0XF4,0XF5,0XE5,0XF0,
0XF2,0XDF,0XE6,0XF0,0XD9,0XD4,0XEA,0XCE,0XB9,0XDB,0XBB,0X98,0XD0,0XAC,0X7D,0XCC,
0XA3,0X77,0XC8,0XA0,0X77,0XCA,0XA1,0X79,0XCB,0XA3,0X78,0XC6,0XA0,0X78,0XC4,0X9E,
0X7C,0XC4,0X9F,0X80,0XC3,0X9F,0X84,0XC4,0X9F,0X87,0XC4,0X9E,0X7F,0XC3,0X9D,0X78,
0XC5,0X9B,0X79,0XC1,0X97,0X7B,0XC0,0X96,0X7D,0XC6,0X9C,0X77,0XC5,0X9C,0X77,0XCB,
0XA1,0X74,0XCB,0XA3,0X75,0XC8,0XA3,0X77,0XC2,0XA1,0X7B,0XBF,0X9D,0X75,0XBE,0X95,
0X71,0XBF,0X90,0X6D,0XBD,0X8E,0X68,0XB9,0X8A,0X64,0XB4,0X85,0X61,0XB1,0X82,0X5F,
0XAE,0X7F,0X5C,0XA7,0X79,0X5C,0XA3,0X75,0X5B,0X9F,0X72,0X59,0X9A,0X6D,0X5D,0X96,
0X69,0X64,0X98,0X6C,0X6C,0X9F,0X73,0X74,0XA6,0X7A,0X77,0XA7,0X7D,0X76,0XA8,0X7E,
0X6E,0XA6,0X7B,0X61,0XA1,0X77,0X57,0X9F,0X74,0X4D,0X99,0X6E,0X41,0X91,0X65,0X43,
0X93,0X66,0X42,0X92,0X63,0X42,0X90,0X61,0X42,0X8E,0X5F,0X41,0X8E,0X5E,0X45,0X90,
0X5F,0X47,0X92,0X61,0X4C,0X96,0X64,0X56,0X9F,0X6B,0X64,0XAC,0X78,0X76,0XB3,0X84,
0X8D,0XB9,0X90,0XA3,0XC4,0X9E,0XBF,0XD3,0XB1,0XDA,0XE1,0XC4,0XF1,0XEC,0XD4,0XFE,
0XF4,0XE0,0XFF,0XF6,0XE5,0XFF,0XF5,0XE8,0XFF,0XF8,0XEB,0XF9,0XF6,0XE9,0XF7,0XEE,
0XE1,0XFB,0XEB,0XDC,0XF1,0XE8,0XD7,0XE8,0XE5,0XD0,0XE4,0XE3,0XCC,0XE7,0XE3,0XCB,
0XE7,0XDF,0XCA,0XEC,0XDD,0XCB,0XF0,0XE1,0XD0,0XF7,0XEA,0XDB,0XFE,0XF2,0XE6,0XFE,
0XF7,0XEC,0XFD,0XF8,0XEF,0XFE,0XF9,0XEF,0XFC,0XFB,0XFB,0XEB,0XED,0XF3,0X73,0X79,
0X86,0X76,0X7E,0X91,0XC8,0XCD,0XDF,0XF4,0XF3,0XFE,0XFF,0XFD,0XFF,0XFE,0XFB,0XFA,
0XFF,0XFF,0XFC,0XFD,0XFD,0XFB,0XFF,0XFE,0XFC,0XFF,0XFB,0XF4,0XFF,0XFB,0XF1,0XF7,
0XF8,0XEB,0XEB,0XF3,0XE5,0XE5,0XEE,0XDD,0XE3,0XEB,0XD7,0XDC,0XE9,0XD2,0XD0,0XE6,
0XCD,0XBC,0XDF,0XC1,0XA5,0XD4,0XB3,0X91,0XCD,0XAC,0X86,0XCF,0XAE,0X85,0XCF,0XAE,
0X85,0XD1,0XB0,0X83,0XD1,0XB0,0X7E,0XCD,0XAD,0X7D,0XCA,0XAA,0X80,0XCC,0XAD,0X85,
0XCF,0XAF,0X87,0XCE,0XAE,0X86,0XCA,0XAB,0X7F,0XC8,0XAA,0X79,0XC4,0XA7,0X7F,0XC7,
0XA8,0X83,0XCB,0XA9,0X7B,0XC9,0XA3,0X73,0XC8,0XA1,0X70,0XCE,0XA3,0X6B,0XCD,0XA3,
0X6B,0XCA,0XA1,0X6C,0XC5,0X9E,0X6F,0XC0,0X9A,0X6C,0XBB,0X90,0X6A,0XBA,0X8B,0X66,
0XB7,0X88,0X61,0XB2,0X83,0X5F,0XAF,0X80,0X5F,0XAB,0X7D,0X5C,0XA4,0X77,0X5C,0X9F,
0X72,0X5E,0X9D,0X71,0X61,0X9B,0X70,0X62,0X99,0X6E,0X64,0X97,0X6B,0X68,0X97,0X6B,
0X6A,0X96,0X6B,0X6B,0X97,0X6C,0X6E,0X96,0X6E,0X6E,0X99,0X70,0X69,0X9A,0X70,0X5F,
0X96,0X6D,0X55,0X93,0X69,0X4A,0X8E,0X64,0X43,0X89,0X60,0X42,0X8C,0X5F,0X41,0X8B,
0X5E,0X40,0X8A,0X5C,0X3F,0X88,0X5A,0X3D,0X87,0X57,0X3E,0X88,0X58,0X41,0X89,0X59,
0X44,0X8D,0X5B,0X4C,0X93,0X60,0X55,0X9D,0X6A,0X64,0XA3,0X73,0X79,0XAB,0X7E,0X92,
0XBA,0X90,0XAD,0XC9,0XA4,0XC9,0XD8,0XB8,0XE4,0XE6,0XCA,0XF2,0XED,0XD5,0XF9,0XF1,
0XDD,0XFA,0XF2,0XDF,0XF9,0XF4,0XE2,0XF3,0XF0,0XE1,0XEC,0XE8,0XD7,0XE9,0XE3,0XCF,
0XDD,0XDA,0XC5,0XD0,0XD0,0XB8,0XD1,0XD1,0XB7,0XDB,0XD7,0XBE,0XD9,0XD3,0XBA,0XE4,

0XDA,0XC4,0XEF,0XE4,0XD1,0XF7,0XEB,0XDA,0XFB,0XF1,0XE3,0XFD,0XF6,0XEC,0XFD,0XF8,
0XEF,0XFD,0XF9,0XF0,0XF5,0XF5,0XFF,0XBF,0XC3,0XD2,0X28,0X2F,0X47,0X1C,0X26,0X42,
0X3D,0X45,0X60,0XCB,0XCF,0XE0,0XFC,0XFB,0XFF,0XFD,0XF9,0XF9,0XFF,0XFF,0XFB,0XFA,
0XFA,0XF3,0XFF,0XFE,0XF8,0XFF,0XFD,0XEF,0XFE,0XFA,0XE9,0XEE,0XF4,0XE0,0XDB,0XEB,
0XD6,0XD0,0XE4,0XCD,0XCB,0XE3,0XCA,0XC3,0XE1,0XC6,0XB5,0XDE,0XC2,0XA3,0XDA,0XB9,
0X92,0XD5,0XB2,0X89,0XD2,0XB2,0X8B,0XD5,0XB8,0X8B,0XD6,0XB9,0X88,0XD6,0XB9,0X84,
0XD5,0XB7,0X7E,0XD2,0XB4,0X7C,0XD0,0XB2,0X7F,0XD2,0XB5,0X81,0XD3,0XB7,0X83,0XD1,
0XB7,0X81,0XCD,0XB5,0X83,0XCB,0XB9,0X7F,0XC4,0XB9,0X82,0XC5,0XB6,0X7F,0XC5,0XAE,
0X73,0XC1,0XA3,0X70,0XC9,0XA4,0X6A,0XCE,0XA5,0X64,0XD0,0XA2,0X64,0XCD,0XA0,0X65,
0XCA,0X9D,0X67,0XC4,0X99,0X66,0XBD,0X8F,0X64,0XB8,0X89,0X60,0XB3,0X83,0X5C,0XAD,
0X7E,0X5A,0XA9,0X7A,0X5C,0XA5,0X77,0X5B,0X9E,0X71,0X5D,0X98,0X6C,0X61,0X95,0X6B,
0X66,0X94,0X6B,0X69,0X94,0X6A,0X6F,0X99,0X6E,0X72,0X99,0X6E,0X72,0X96,0X6D,0X74,
0X96,0X6D,0X79,0X99,0X72,0X7B,0X9E,0X76,0X78,0X9F,0X77,0X6A,0X97,0X71,0X56,0X8A,
0X62,0X49,0X82,0X5A,0X44,0X83,0X5B,0X3F,0X82,0X57,0X3E,0X82,0X58,0X3D,0X82,0X56,
0X3A,0X80,0X53,0X38,0X7D,0X4F,0X3B,0X80,0X52,0X3D,0X83,0X54,0X40,0X87,0X55,0X44,
0X8B,0X59,0X4B,0X92,0X60,0X58,0X98,0X68,0X6B,0XA3,0X73,0X85,0XB4,0X86,0X9D,0XC2,
0X98,0XB5,0XCF,0XA9,0XCF,0XDD,0XBA,0XE0,0XE6,0XC8,0XEA,0XEB,0XD0,0XED,0XEC,0XD4,
0XEE,0XEF,0XD8,0XE8,0XEA,0XD5,0XDB,0XE1,0XC9,0XD0,0XD6,0XBC,0XBD,0XC4,0XA9,0XB3,
0XB6,0X9A,0XB7,0XB8,0X9A,0XC3,0XC1,0XA4,0XD3,0XCF,0XB3,0XE4,0XDE,0XC6,0XF2,0XEA,
0XD5,0XF9,0XEF,0XDD,0XFC,0XF2,0XE2,0XFC,0XF6,0XEC,0XFB,0XF8,0XF0,0XFC,0XF9,0XF1,
0XF0,0XF1,0XFE,0X77,0X7E,0X98,0X17,0X23,0X45,0X21,0X31,0X58,0X18,0X28,0X4E,0X58,
0X62,0X7F,0XD6,0XDB,0XEA,0XF9,0XFA,0XFC,0XFE,0XFE,0XFA,0XFE,0XFE,0XF7,0XFF,0XFF,
0XF6,0XFE,0XFD,0XEA,0XF6,0XF9,0XE2,0XDF,0XEF,0XD6,0XC6,0XE3,0XC8,0XB6,0XD9,0XBE,
0XB1,0XD9,0XBD,0XA9,0XDA,0XBC,0X9B,0XD8,0XB9,0X8B,0XD7,0XB5,0X7F,0XD7,0XB3,0X7D,
0XD9,0XB6,0X81,0XD9,0XBA,0X81,0XDB,0XBC,0X7E,0XDA,0XBA,0X7C,0XDA,0XB8,0X7C,0XDA,
0XBA,0X79,0XD6,0XB8,0X7D,0XD5,0XBA,0X7F,0XD5,0XBC,0X80,0XD3,0XBD,0X81,0XCE,0XBC,
0X84,0XC6,0XC4,0X8F,0XC9,0XD2,0X89,0XC1,0XC4,0X88,0XC6,0XBE,0X8E,0XD5,0XC2,0X6D,
0XC3,0XA3,0X66,0XCA,0XA3,0X61,0XCE,0XA0,0X5F,0XCE,0X9E,0X62,0XCB,0X9A,0X64,0XC6,
0X98,0X63,0XBF,0X8E,0X61,0XBA,0X89,0X5B,0XB2,0X82,0X57,0XAA,0X7A,0X58,0XA4,0X75,
0X5C,0XA1,0X74,0X62,0X9D,0X71,0X67,0X99,0X6F,0X73,0X9B,0X72,0X7E,0X9F,0X78,0X83,
0XA2,0X7B,0X87,0XA6,0X7D,0X88,0XA6,0X7D,0X89,0XA3,0X7B,0X8A,0XA3,0X7B,0X91,0XA9,
0X83,0X8F,0XA8,0X82,0X84,0XA2,0X7B,0X77,0X9A,0X75,0X66,0X91,0X6A,0X55,0X85,0X5E,
0X48,0X7E,0X57,0X3E,0X7E,0X54,0X3F,0X7F,0X55,0X3E,0X7F,0X55,0X3A,0X7C,0X52,0X38,
0X79,0X4C,0X37,0X78,0X4B,0X38,0X7C,0X4D,0X3B,0X7F,0X50,0X3F,0X83,0X52,0X45,0X8A,
0X58,0X4F,0X90,0X5F,0X63,0XA0,0X6D,0X79,0XB1,0X80,0X8C,0XBA,0X8D,0XA0,0XC5,0X9A,
0XB6,0XD2,0XAA,0XCA,0XDC,0XBA,0XD4,0XE2,0XC2,0XDB,0XE5,0XC6,0XDC,0XE7,0XCB,0XD8,
0XE2,0XC7,0XC5,0XD6,0XB8,0XB3,0XCA,0XAA,0XAC,0XBC,0X9C,0XB0,0XB7,0X97,0XBB,0XBD,
0X9D,0XC3,0XC2,0XA2,0XD5,0XD4,0XB6,0XE5,0XE2,0XC8,0XEF,0XEC,0XD5,0XF5,0XEF,0XDB,
0XFD,0XF4,0XE4,0XFD,0XF7,0XED,0XFB,0XF7,0XF2,0XFC,0XF8,0XF3,0XDD,0XE1,0XF0,0X41,
0X4B,0X6E,0X27,0X37,0X63,0X18,0X2E,0X61,0X1F,0X35,0X66,0X1F,0X31,0X57,0X7A,0X86,
0X9E,0XE9,0XF0,0XF7,0XF7,0XFB,0XFB,0XF4,0XF8,0XF3,0XFC,0XFF,0XF5,0XF7,0XFC,0XE5,
0XEA,0XF9,0XDE,0XD1,0XED,0XD1,0XB5,0XDE,0XC1,0XA3,0XD4,0XB7,0X9B,0XD3,0XB5,0X94,
0XD4,0XB5,0X8A,0XD4,0XB5,0X7D,0XD6,0XB5,0X74,0XD9,0XB6,0X70,0XDB,0XB7,0X70,0XDC,
0XB7,0X6F,0XDC,0XB7,0X73,0XE0,0XBB,0X75,0XE1,0XBC,0X73,0XDC,0XB8,0X77,0XD9,0XBA,
0X74,0XD1,0XB7,0X80,0XD4,0XC0,0X82,0XD0,0XC2,0X89,0XD0,0XC9,0X75,0XAD,0XB9,0X33,
0X5D,0X79,0X15,0X36,0X4A,0X2D,0X5E,0X65,0X94,0XD0,0XC8,0X73,0XC1,0XA9,0X68,0XC6,
0XA2,0X60,0XCA,0X9E,0X5F,0XCA,0X9A,0X60,0XC7,0X96,0X61,0XC4,0X92,0X60,0XBF,0X8D,
0X5C,0XB8,0X87,0X58,0XB0,0X7F,0X57,0XA9,0X7A,0X59,0XA3,0X75,0X5E,0XA0,0X73,0X65,
0X9D,0X71,0X71,0X9D,0X74,0X89,0XA9,0X81,0X9C,0XB4,0X8D,0X9F,0XB4,0X8E,0XA3,0XB8,
0X90,0XA3,0XB8,0X91,0X9E,0XB2,0X8B,0XA0,0XB1,0X8B,0XA4,0XB4,0X90,0X9B,0XAE,0X89,
0X8B,0XA3,0X7D,0X79,0X98,0X73,0X71,0X96,0X70,0X64,0X8F,0X69,0X4C,0X7F,0X59,0X41,
0X7F,0X56,0X42,0X82,0X59,0X43,0X82,0X59,0X40,0X80,0X56,0X3C,0X7C,0X51,0X38,0X79,
0X4C,0X3B,0X7C,0X4F,0X3B,0X7D,0X4F,0X3C,0X7D,0X4E,0X43,0X84,0X55,0X4D,0X8E,0X5D,
0X5B,0X9C,0X68,0X6C,0XAA,0X77,0X7F,0XB5,0X85,0X8E,0XBF,0X90,0X9C,0XC6,0X9A,0XAA,
0XCD,0XA4,0XB2,0XD1,0XAA,0XB8,0XD3,0XAF,0XBA,0XD3,0XB1,0XB6,0XCE,0XAD,0XA8,0XCA,

0XA6, 0XA1, 0XC9, 0XA3, 0XB0, 0XCA, 0XA5, 0XC4, 0XCF, 0XAC, 0XCE, 0XD1, 0XAF, 0XC9, 0XC9, 0XA7, 0XD4, 0XD7, 0XB7, 0XDF, 0XE4, 0XC6, 0XEA, 0XEB, 0XD3, 0XF5, 0XF0, 0XDB, 0XFF, 0XF5, 0XE5, 0XFE, 0XF7, 0XED, 0XFC, 0XF7, 0XF0, 0XFD, 0XF7, 0XF1, 0XC2, 0XC8, 0XE4, 0X2B, 0X37, 0X61, 0X29, 0X3D, 0X72, 0X2C, 0X49, 0X85, 0X1E, 0X3C, 0X78, 0X1C, 0X36, 0X69, 0X31, 0X45, 0X68, 0XA2, 0XAF, 0XC2, 0XF0, 0XFB, 0XFE, 0XF1, 0XF9, 0XFB, 0XE9, 0XF2, 0XEB, 0XE8, 0XF5, 0XE1, 0XD9, 0XF0, 0XD7, 0XC1, 0XE7, 0XCD, 0XAA, 0XDB, 0XC0, 0X96, 0XD0, 0XB5, 0X95, 0XD5, 0XB8, 0X8C, 0XD4, 0XB7, 0X83, 0XD3, 0XB6, 0X79, 0XD4, 0XB6, 0X72, 0XD8, 0XBA, 0X6B, 0XDB, 0XB8, 0X66, 0XDC, 0XB6, 0X68, 0XDD, 0XB6, 0X64, 0XD8, 0XB1, 0X65, 0XD6, 0XB0, 0X6F, 0XD9, 0XB8, 0X6C, 0XCE, 0XB3, 0X81, 0XD9, 0XC7, 0X7C, 0XCA, 0XC0, 0X93, 0XD8, 0XD7, 0X7B, 0XB9, 0XBF, 0X17, 0X42, 0X5F, 0X01, 0X18, 0X45, 0X04, 0X21, 0X43, 0X16, 0X3B, 0X4E, 0X87, 0XBB, 0XBD, 0X75, 0XBB, 0XAB, 0X6B, 0XC4, 0XA4, 0X65, 0XC8, 0X9E, 0X61, 0XC7, 0X9A, 0X61, 0XC5, 0X95, 0X63, 0XC2, 0X92, 0X5E, 0XBE, 0X8C, 0X59, 0XB7, 0X85, 0X56, 0XB0, 0X7F, 0X58, 0XAB, 0X7B, 0X5C, 0XA6, 0X78, 0X62, 0XA2, 0X76, 0X6E, 0XA2, 0X78, 0X81, 0XA9, 0X80, 0X9B, 0XB6, 0X8F, 0XAE, 0XBF, 0X9A, 0XB3, 0XBF, 0X9B, 0XB4, 0XC1, 0X9C, 0XB5, 0XC2, 0X9C, 0XAF, 0XBA, 0X95, 0XAE, 0XB8, 0X93, 0XAF, 0XB9, 0X95, 0XA5, 0XB3, 0X8F, 0X93, 0XA8, 0X82, 0X7A, 0X98, 0X73, 0X71, 0X96, 0X70, 0X66, 0X92, 0X6C, 0X4E, 0X83, 0X5C, 0X43, 0X83, 0X5B, 0X45, 0X88, 0X5F, 0X46, 0X89, 0X5F, 0X45, 0X85, 0X5B, 0X40, 0X80, 0X56, 0X40, 0X81, 0X55, 0X40, 0X81, 0X54, 0X3F, 0X7E, 0X52, 0X3E, 0X7D, 0X50, 0X46, 0X84, 0X56, 0X4C, 0X8D, 0X5C, 0X51, 0X93, 0X5F, 0X5C, 0X9C, 0X69, 0X69, 0XA8, 0X75, 0X75, 0XB1, 0X80, 0X7C, 0XB4, 0X85, 0X88, 0XBD, 0X91, 0X8E, 0XC0, 0X95, 0X94, 0XC3, 0X99, 0X97, 0XC2, 0X9C, 0X97, 0XC0, 0X9A, 0X8D, 0XC1, 0X99, 0X94, 0XCB, 0XA2, 0XB3, 0XD6, 0XAE, 0XCF, 0XDF, 0XB9, 0XD9, 0XDD, 0XBA, 0XCF, 0XD0, 0XAE, 0XCF, 0XD4, 0XB4, 0XDE, 0XE5, 0XC9, 0XE9, 0XEE, 0XD6, 0XF4, 0XF1, 0XDE, 0XFE, 0XF4, 0XE5, 0XFF, 0XF7, 0XED, 0XFE, 0XF7, 0XEE, 0XFE, 0XF7, 0XEE, 0X9C, 0XA5, 0XC8, 0X26, 0X36, 0X62, 0X29, 0X43, 0X7C, 0X34, 0X57, 0X9B, 0X23, 0X49, 0X8F, 0X23, 0X47, 0X84, 0X22, 0X3E, 0X6D, 0X3C, 0X52, 0X71, 0XBA, 0XCB, 0XDD, 0XE5, 0XF4, 0XFB, 0XE4, 0XF3, 0XF6, 0XDD, 0XEE, 0XE0, 0XC7, 0XE3, 0XD0, 0XB3, 0XDB, 0XC7, 0XA4, 0XD7, 0XC2, 0X95, 0XCF, 0XB9, 0X8E, 0XCC, 0XB7, 0X8C, 0XCE, 0XB7, 0X88, 0XCF, 0XB8, 0X80, 0XD0, 0XB8, 0X76, 0XCF, 0XB6, 0X6D, 0XD0, 0XB4, 0X67, 0XD2, 0XB0, 0X68, 0XD3, 0XB1, 0X6E, 0XD8, 0XB7, 0X72, 0XD8, 0XBA, 0X70, 0XD1, 0XB8, 0X77, 0XD0, 0XC0, 0X7C, 0XCA, 0XC6, 0X8E, 0XD2, 0XD9, 0X72, 0XAC, 0XBE, 0X16, 0X43, 0X5D, 0X0B, 0X2D, 0X5C, 0X17, 0X2B, 0X67, 0X16, 0X2E, 0X5C, 0X05, 0X1F, 0X3B, 0X79, 0XA8, 0XB1, 0X8D, 0XCF, 0XC4, 0X6E, 0XC2, 0XA5, 0X66, 0XC5, 0X9F, 0X64, 0XC5, 0X9A, 0X63, 0XC3, 0X95, 0X65, 0XC1, 0X92, 0X5C, 0XBD, 0X8B, 0X57, 0XB7, 0X85, 0X56, 0XB1, 0X80, 0X59, 0XAE, 0X7E, 0X60, 0XAA, 0X7C, 0X67, 0XA6, 0X79, 0X76, 0XA7, 0X7D, 0X90, 0XB4, 0X8C, 0XA8, 0XC0, 0X9A, 0XB7, 0XC5, 0XA1, 0XBF, 0XC8, 0XA4, 0XC1, 0XC8, 0XA3, 0XC5, 0XCA, 0XA5, 0XBC, 0XC1, 0X9C, 0XB5, 0XBA, 0X96, 0XB1, 0XB8, 0X95, 0XA6, 0XB4, 0X8F, 0X95, 0XAC, 0X86, 0X7F, 0X9E, 0X79, 0X74, 0X9C, 0X76, 0X68, 0X98, 0X72, 0X50, 0X8A, 0X63, 0X42, 0X88, 0X60, 0X48, 0X8E, 0X65, 0X4A, 0X90, 0X67, 0X48, 0X8B, 0X62, 0X41, 0X85, 0X5A, 0X41, 0X81, 0X57, 0X3C, 0X7C, 0X51, 0X39, 0X76, 0X4A, 0X3D, 0X79, 0X4D, 0X46, 0X81, 0X54, 0X4A, 0X87, 0X58, 0X4E, 0X8C, 0X5A, 0X53, 0X92, 0X61, 0X5A, 0X9B, 0X6A, 0X5F, 0XA2, 0X71, 0X61, 0XA7, 0X75, 0X68, 0XAD, 0X7E, 0X6B, 0XAF, 0X81, 0X6E, 0XB2, 0X84, 0X73, 0XB3, 0X87, 0X75, 0XB5, 0X89, 0X75, 0XBC, 0X8E, 0X8A, 0XCF, 0XA2, 0XB7, 0XE3, 0XBA, 0XDA, 0XEE, 0XC7, 0XE7, 0XEC, 0XC8, 0XE2, 0XE3, 0XC2, 0XCA, 0XD1, 0XB2, 0XD0, 0XDA, 0XBF, 0XE4, 0XEB, 0XD5, 0XF5, 0XF3, 0XE3, 0XFE, 0XF5, 0XE8, 0XFF, 0XF7, 0XEB, 0XFF, 0XF7, 0XEC, 0XFF, 0XF7, 0XEB, 0X86, 0X90, 0XB4, 0X19, 0X2C, 0X5A, 0X1E, 0X3C, 0X7B, 0X35, 0X5D, 0XA7, 0X26, 0X52, 0XA1, 0X2A, 0X55, 0X9D, 0X11, 0X35, 0X70, 0X2D, 0X49, 0X75, 0X41, 0X59, 0X78, 0XC0, 0XD5, 0XE7, 0XD8, 0XEA, 0XF6, 0XD2, 0XE0, 0XDA, 0XBD, 0XD4, 0XCB, 0XB1, 0XD4, 0XC9, 0XAD, 0XDA, 0XCE, 0XAA, 0XDB, 0XCE, 0XA8, 0XDB, 0XCB, 0XA0, 0XD3, 0XC3, 0X95, 0XCA, 0XB9, 0X8B, 0XC7, 0XB5, 0X87, 0XCB, 0XB8, 0X83, 0XCC, 0XB8, 0X7D, 0XCB, 0XB5, 0X7D, 0XCC, 0XB7, 0X78, 0XC8, 0XB4, 0X79, 0XC8, 0XB7, 0X7F, 0XCB, 0XC2, 0X83, 0XCA, 0XCB, 0X9B, 0XDA, 0XEA, 0X7E, 0XB6, 0XD3, 0X1C, 0X4D, 0X77, 0X06, 0X2F, 0X64, 0X15, 0X33, 0X73, 0X23, 0X39, 0X7D, 0X1C, 0X34, 0X6B, 0X02, 0X1D, 0X40, 0X5D, 0X8E, 0X9B, 0X7A, 0XBD, 0XB6, 0X6B, 0XC0, 0XA7, 0X64, 0XC4, 0X9F, 0X61, 0XC4, 0X9A, 0X61, 0XC2, 0X96, 0X63, 0XBF, 0X93, 0X5B, 0XBB, 0X8D, 0X57, 0XB7, 0X85, 0X56, 0XB3, 0X81, 0X5B, 0XB2, 0X81, 0X64, 0XAF, 0X81, 0X6B, 0XAB, 0X7E, 0X7B, 0XAD, 0X83, 0X99, 0XBC, 0X94, 0XAD, 0XC4, 0X9E, 0XB9, 0XC6, 0XA2, 0XC2, 0XC9, 0XA6, 0XC7, 0XCB, 0XA7, 0XCD, 0XCF, 0XAB, 0XC3, 0XC5, 0XA1, 0XB6, 0XB9, 0X95, 0XAE, 0XB4, 0X91, 0XA5, 0XB3, 0X8E, 0X96, 0XB0, 0X8A, 0X82, 0XA6, 0X80, 0X74, 0XA2, 0X7B, 0X63, 0X9A, 0X72, 0X4A, 0X89, 0X61, 0X41, 0X8C, 0X64, 0X43, 0X90, 0X67, 0X46, 0X91, 0X68, 0X45, 0X8D, 0X63, 0X40, 0X86, 0X5D, 0X42, 0X84, 0X5A, 0X3F, 0X7E, 0X54, 0X3C, 0X78, 0X4F, 0X44, 0X7E, 0X52, 0X4D, 0X85, 0X5A, 0X51, 0X8A, 0X5D, 0X51, 0X8A, 0X5B, 0X54, 0X90, 0X63, 0X56, 0X99, 0X6A, 0X55, 0X9E, 0X6F,

0X52,0XA2,0X71,0X54,0XA7,0X77,0X52,0XA7,0X77,0X53,0XA8,0X78,0X57,0XAC,0X7C,0X5C,
0XB1,0X81,0X61,0XB7,0X88,0X77,0XC7,0X9B,0XAA,0XDC,0XB1,0XD2,0XE8,0XC2,0XE8,0XEC,
0XCA,0XE7,0XE8,0XC8,0XCC,0XD4,0XB6,0XBD,0XCA,0XB0,0XD8,0XE3,0XCD,0XF8,0XF9,0XE9,
0XFF,0XF8,0XEC,0XFF,0XF7,0XEB,0XFF,0XF6,0XE8,0XFF,0XF3,0XE6,0X98,0XA4,0XC7,0X14,
0X29,0X58,0X1D,0X3D,0X7C,0X4A,0X76,0XC5,0X4A,0X7A,0XCE,0X2F,0X5F,0XAE,0X33,0X5C,
0XA0,0X35,0X57,0X8B,0X3C,0X59,0X82,0X74,0X8E,0XAE,0XCC,0XE0,0XF4,0XE3,0XEC,0XEF,
0XE0,0XEF,0XED,0XDA,0XF5,0XF0,0XD8,0XF9,0XF5,0XD8,0XFB,0XF7,0XD9,0XFB,0XF7,0XD4,
0XF6,0XF0,0XC9,0XEC,0XE2,0XC1,0XE8,0XDF,0XC3,0XEF,0XE3,0XC1,0XEE,0XE6,0XBE,0XEB,
0XE3,0XBB,0XEA,0XE4,0XA0,0XD3,0XCE,0X98,0XCE,0XCD,0XAC,0XE4,0XEA,0XB3,0XE8,0XF8,
0X6A,0X9C,0XBE,0X1B,0X49,0X79,0X14,0X3B,0X79,0X16,0X39,0X82,0X29,0X46,0X92,0X2D,
0X48,0X8E,0X1C,0X37,0X71,0X03,0X27,0X4E,0X4D,0X80,0X90,0X88,0XCE,0XC8,0X68,0XBF,
0XA8,0X61,0XC4,0XA0,0X5E,0XC4,0X9B,0X5E,0XC1,0X97,0X61,0XBE,0X93,0X59,0XBB,0X8C,
0X55,0XB7,0X85,0X56,0XB4,0X83,0X5E,0XB5,0X85,0X67,0XB3,0X85,0X71,0XB2,0X85,0X81,
0XB4,0X89,0X9A,0XBF,0X97,0XAD,0XC6,0X9F,0XB7,0XC6,0XA2,0XBF,0XC7,0XA3,0XC4,0XC4,
0XA0,0XCC,0XCB,0XA7,0XC1,0XC1,0X9D,0XB1,0XB3,0X8F,0XA5,0XAC,0X89,0X9B,0XAA,0X86,
0X8E,0XA8,0X82,0X79,0X9F,0X79,0X69,0X9D,0X75,0X5D,0X99,0X71,0X48,0X8E,0X65,0X40,
0X90,0X66,0X40,0X91,0X67,0X40,0X90,0X66,0X40,0X8C,0X62,0X41,0X88,0X5E,0X44,0X87,
0X5D,0X46,0X85,0X5B,0X46,0X81,0X58,0X47,0X7F,0X54,0X4F,0X84,0X59,0X55,0X8A,0X5F,
0X57,0X8D,0X61,0X59,0X94,0X68,0X57,0X9A,0X6D,0X4F,0X9D,0X6D,0X45,0X9C,0X6B,0X44,
0XA2,0X70,0X3D,0X9F,0X6D,0X3B,0X9E,0X6B,0X3E,0XA2,0X70,0X45,0XA8,0X78,0X4D,0XAF,
0X7F,0X63,0XB9,0X8C,0X90,0XC7,0X9E,0XC2,0XD9,0XB5,0XE6,0XE9,0XC9,0XEB,0XEB,0XCD,
0XD4,0XDE,0XC1,0XBF,0XCE,0XB5,0XD8,0XE4,0XD1,0XF6,0XF6,0XE9,0XFF,0XF6,0XED,0XFF,
0XF2,0XE6,0XFD,0XEF,0XE0,0XF9,0XEA,0XDB,0XA2,0XB1,0XD6,0X13,0X2B,0X5B,0X0D,0X30,
0X72,0X3E,0X6A,0XBC,0X69,0X98,0XF3,0X59,0X88,0XDD,0X46,0X6F,0XB9,0X5A,0X7D,0XB8,
0X4C,0X6A,0X99,0X57,0X74,0X99,0X9D,0XB4,0XCF,0XDF,0XEA,0XF7,0XE6,0XF7,0XFF,0XE3,
0XFA,0XFF,0XDC,0XF8,0XFD,0XD7,0XF3,0XF8,0XD9,0XF4,0XF7,0XE2,0XFA,0XFC,0XE7,0XFD,
0XFF,0XE6,0XFE,0XFF,0XDF,0XDF,0XFC,0XE0,0XFC,0XFD,0XE5,0XFB,0XFF,0XE2,0XFA,0XFF,
0XDC,0XF7,0XFE,0XD1,0XF0,0XFD,0XC2,0XE5,0XFA,0X70,0X96,0XBC,0X2C,0X56,0X8A,0X20,
0X48,0X89,0X1A,0X3F,0X89,0X33,0X57,0XA7,0X32,0X51,0XA1,0X33,0X4D,0X99,0X1C,0X3B,
0X79,0X02,0X25,0X51,0X35,0X68,0X7B,0X87,0XCC,0XC6,0X69,0XBF,0XA7,0X63,0XC5,0X9F,
0X60,0XC4,0X9B,0X5E,0XC1,0X98,0X5E,0XBE,0X96,0X57,0XBA,0X8D,0X54,0XB8,0X87,0X54,
0XB6,0X84,0X5B,0XB7,0X86,0X63,0XB8,0X88,0X6B,0XB6,0X87,0X77,0XB8,0X8B,0X88,0XBE,
0X93,0X9B,0XC3,0X9B,0XA5,0XC4,0X9E,0XAD,0XC3,0X9E,0XB3,0XBB,0X95,0XBC,0XC1,0X9B,
0XAF,0XB9,0X91,0X9C,0XAB,0X82,0X8F,0XA3,0X7C,0X84,0X9E,0X77,0X76,0X99,0X71,0X64,
0X93,0X6B,0X5C,0X96,0X6F,0X5B,0XA0,0X77,0X52,0X9E,0X76,0X47,0X93,0X6F,0X45,0X90,
0X6C,0X46,0X8C,0X69,0X45,0X88,0X65,0X46,0X87,0X62,0X50,0X8E,0X67,0X55,0X94,0X6A,
0X53,0X91,0X66,0X48,0X8A,0X5B,0X48,0X8A,0X5B,0X4E,0X90,0X61,0X58,0X95,0X68,0X59,
0X9D,0X6F,0X55,0X9F,0X71,0X4B,0X9C,0X6D,0X41,0X98,0X68,0X38,0X9A,0X68,0X2A,0X96,
0X63,0X22,0X93,0X5F,0X28,0X97,0X63,0X39,0X9E,0X6D,0X3E,0XA1,0X71,0X44,0XA3,0X74,
0X64,0XAB,0X81,0X94,0XC2,0X9C,0XC2,0XDD,0XBA,0XD2,0XE5,0XC5,0XD2,0XE2,0XC4,0XCC,
0XDB,0XBF,0XE3,0XEB,0XD4,0XF7,0XF2,0XE1,0XFF,0XF3,0XE5,0XF7,0XF0,0XDC,0XEE,0XEB,
0XD2,0XE7,0XE4,0XCB,0XA6,0XBB,0XDD,0X12,0X2F,0X5E,0X0B,0X2F,0X72,0X1F,0X49,0X9D,
0X55,0X81,0XDE,0X6A,0X93,0XED,0X66,0X8B,0XDA,0X70,0X8F,0XCF,0X62,0X81,0XB2,0X5F,
0X7E,0XA6,0X93,0XB1,0XCF,0XC7,0XE0,0XF4,0XD4,0XEB,0XFE,0XD1,0XE9,0XFD,0XD4,0XEC,
0XFF,0XD7,0XEE,0XFF,0XD8,0XEC,0XFE,0XDC,0XF0,0XFF,0XDB,0XF1,0XFF,0XDA,0XF1,0XFE,
0XD7,0XF2,0XFE,0XD8,0XF0,0XFF,0XDB,0XEE,0XFF,0XE2,0XF2,0XFF,0XDF,0XEE,0XFE,0XC9,
0XDA,0XF2,0X86,0X9E,0XC3,0X4B,0X6C,0XA0,0X38,0X5F,0XA1,0X2A,0X53,0X9F,0X2D,0X57,
0XA7,0X38,0X5F,0XB0,0X4B,0X6A,0XBB,0X3A,0X53,0XA3,0X0E,0X2D,0X70,0X01,0X18,0X49,
0X3A,0X6C,0X83,0X86,0XC7,0XC3,0X75,0XC4,0XA9,0X6F,0XC8,0X9F,0X69,0XC7,0X9A,0X63,
0XC4,0X9A,0X61,0XC1,0X9C,0X59,0XBD,0X93,0X55,0XBA,0X8B,0X53,0XB8,0X88,0X53,0XBA,
0X87,0X56,0XBB,0X87,0X58,0XB9,0X85,0X5D,0XB7,0X85,0X69,0XBA,0X8B,0X77,0XBE,0X93,
0X83,0XC3,0X9A,0X92,0XC5,0X9E,0X9D,0XB9,0X90,0X97,0XB2,0X86,0X8A,0XAC,0X7F,0X7C,
0XA7,0X78,0X6F,0X9D,0X6E,0X65,0X95,0X68,0X5F,0X91,0X67,0X5C,0X94,0X6D,0X5F,0XA0,
0X7B,0X5D,0XA8,0X84,0X58,0XA2,0X82,0X68,0XA2,0X8B,0X71,0XA3,0X8E,0X6C,0X9B,0X86,
0X63,0X8F,0X78,0X5E,0X89,0X6F,0X69,0X99,0X79,0X6B,0XA4,0X7E,0X63,0XA7,0X7B,0X4D,

0X9C, 0X6A, 0X3B, 0X93, 0X5C, 0X3D, 0X93, 0X5D, 0X48, 0X98, 0X66, 0X49, 0XA2, 0X6F, 0X47, 0XA2, 0X70, 0X44, 0X9B, 0X6B, 0X41, 0X93, 0X66, 0X3A, 0X98, 0X6A, 0X1F, 0X90, 0X5E, 0X0E, 0X8A, 0X57, 0X1E, 0X8F, 0X5D, 0X3C, 0X97, 0X65, 0X40, 0X9B, 0X6D, 0X36, 0X9A, 0X6C, 0X33, 0X93, 0X67, 0X41, 0X99, 0X6E, 0X6D, 0XB6, 0X8D, 0X9D, 0XD3, 0XAC, 0XAE, 0XCD, 0XAA, 0XC0, 0XCC, 0XAC, 0XDB, 0XDB, 0XBD, 0XF3, 0XEC, 0XD0, 0XF6, 0XEE, 0XD1, 0XE3, 0XEE, 0XC9, 0XC2, 0XDC, 0XB3, 0XAC, 0XC8, 0X9E, 0XC2, 0XD0, 0XE6, 0X2D, 0X41, 0X65, 0X0B, 0X2A, 0X64, 0X0D, 0X33, 0X82, 0X37, 0X63, 0XBE, 0X5D, 0X88, 0XE3, 0X75, 0X9D, 0XEE, 0X77, 0X9B, 0XDF, 0X65, 0X87, 0XBC, 0X7E, 0XA0, 0XCC, 0XAD, 0XCE, 0XEF, 0XC1, 0XDB, 0XF1, 0XC6, 0XE1, 0XF6, 0XC7, 0XE2, 0XF8, 0XCC, 0XE4, 0XFD, 0XCB, 0XE2, 0XF9, 0XD0, 0XE5, 0XFB, 0XD2, 0XE8, 0XFC, 0XD6, 0XEC, 0XFE, 0XD3, 0XEC, 0XFD, 0XCC, 0XE7, 0XFB, 0XC8, 0XE6, 0XFA, 0XCB, 0XE7, 0XFD, 0XD1, 0XEA, 0XFD, 0XD0, 0XE6, 0XFA, 0XBE, 0XD5, 0XEF, 0X6B, 0X88, 0XAE, 0X40, 0X66, 0X9C, 0X4B, 0X76, 0XBB, 0X45, 0X74, 0XC2, 0X3D, 0X6D, 0XBE, 0X4B, 0X77, 0XC8, 0X4F, 0X6F, 0XBF, 0X2A, 0X41, 0X8E, 0X04, 0X22, 0X61, 0X01, 0X1C, 0X47, 0X4F, 0X88, 0X99, 0X80, 0XC7, 0XBD, 0X7A, 0XCC, 0XAE, 0X74, 0XCE, 0XA3, 0X6E, 0XCB, 0X9D, 0X69, 0XC7, 0X9B, 0X65, 0XC3, 0X9B, 0X5F, 0XC1, 0X95, 0X5B, 0XBF, 0X90, 0X58, 0XBE, 0X8E, 0X57, 0XBE, 0X8B, 0X55, 0XBC, 0X88, 0X54, 0XB9, 0X82, 0X54, 0XB5, 0X81, 0X5B, 0XB5, 0X84, 0X6B, 0XBC, 0X8E, 0X77, 0XC2, 0X96, 0X7D, 0XC1, 0X96, 0X81, 0XB6, 0X89, 0X78, 0XAC, 0X7D, 0X6B, 0XA4, 0X75, 0X66, 0XA2, 0X72, 0X63, 0X9D, 0X6E, 0X62, 0X97, 0X6C, 0X6B, 0X9A, 0X74, 0X65, 0X96, 0X73, 0X64, 0X97, 0X79, 0X7C, 0XB7, 0X9C, 0X92, 0XC9, 0XB5, 0XCA, 0XF0, 0XE5, 0XDB, 0XFC, 0XF3, 0XDE, 0XFC, 0XF2, 0XD3, 0XEF, 0XE3, 0XCB, 0XE7, 0XD6, 0XC0, 0XDF, 0XCC, 0XAF, 0XD9, 0XBE, 0X91, 0XC5, 0XA6, 0X6C, 0XAD, 0X86, 0X4C, 0X96, 0X6D, 0X3C, 0X8B, 0X5F, 0X3B, 0X91, 0X61, 0X32, 0X99, 0X66, 0X30, 0X9C, 0X6A, 0X3A, 0XA0, 0X70, 0X3B, 0X95, 0X67, 0X37, 0X91, 0X65, 0X22, 0X8B, 0X5A, 0X13, 0X85, 0X53, 0X22, 0X88, 0X58, 0X3C, 0X8D, 0X60, 0X3F, 0X92, 0X66, 0X38, 0X98, 0X6C, 0X32, 0X92, 0X66, 0X28, 0X87, 0X5B, 0X3F, 0X92, 0X68, 0X69, 0XAA, 0X82, 0X91, 0XBD, 0X98, 0XA5, 0XC0, 0X9D, 0XB8, 0XC9, 0XA8, 0XC4, 0XD3, 0XB3, 0XC7, 0XDA, 0XB7, 0XB2, 0XD7, 0XAD, 0X8B, 0XBE, 0X90, 0X6D, 0XA2, 0X73, 0XEA, 0XED, 0XF5, 0X67, 0X72, 0X8B, 0X0C, 0X25, 0X56, 0X10, 0X35, 0X7E, 0X2A, 0X55, 0XAD, 0X3D, 0X6A, 0XC5, 0X5A, 0X85, 0XD7, 0X60, 0X86, 0XCB, 0X6E, 0X92, 0XC9, 0XA2, 0XC6, 0XF1, 0XBA, 0XDD, 0XFE, 0XC3, 0XDE, 0XF4, 0XC2, 0XDD, 0XF4, 0XC1, 0XDE, 0XF8, 0XC3, 0XDE, 0XFA, 0XC4, 0XDC, 0XF6, 0XCB, 0XE1, 0XF7, 0XC7, 0XDC, 0XF0, 0XC5, 0XDD, 0XF0, 0XC1, 0XDC, 0XF2, 0XB7, 0XD7, 0XF1, 0XB4, 0XDA, 0XF3, 0XB5, 0XDD, 0XF4, 0XBB, 0XE0, 0XF3, 0XC0, 0XE1, 0XF5, 0XBD, 0XDD, 0XF6, 0X76, 0X9B, 0XC0, 0X37, 0X63, 0X99, 0X4C, 0X7D, 0XC1, 0X3F, 0X73, 0XC1, 0X3E, 0X72, 0XC3, 0X3E, 0X70, 0XC2, 0X31, 0X52, 0XA1, 0X15, 0X2C, 0X74, 0X02, 0X21, 0X59, 0X04, 0X26, 0X46, 0X6D, 0XAF, 0XB6, 0X78, 0XC8, 0XB7, 0X78, 0XD1, 0XAE, 0X74, 0XD2, 0XA4, 0X71, 0XCE, 0X9F, 0X6E, 0XC8, 0X9C, 0X6B, 0XC4, 0X9A, 0X68, 0XC6, 0X9A, 0X62, 0XC4, 0X96, 0X5D, 0XC2, 0X92, 0X5C, 0XC2, 0X8F, 0X59, 0XC0, 0X8A, 0X56, 0XBC, 0X85, 0X54, 0XB6, 0X80, 0X57, 0XB4, 0X82, 0X65, 0XBD, 0X8E, 0X70, 0XC4, 0X97, 0X6F, 0XC1, 0X95, 0X6A, 0XBB, 0X8B, 0X5F, 0XB1, 0X80, 0X57, 0XA9, 0X77, 0X59, 0XA6, 0X77, 0X5D, 0XA1, 0X75, 0X67, 0X9E, 0X76, 0X6A, 0X94, 0X73, 0X84, 0XA6, 0X8D, 0XB4, 0XD7, 0XC2, 0XCF, 0XF4, 0XE4, 0XD9, 0XFD, 0XF3, 0XD8, 0XF4, 0XF1, 0XD9, 0XF0, 0XEF, 0XDD, 0XF1, 0XF0, 0XE2, 0XF5, 0XF0, 0XE0, 0XF3, 0XEC, 0XE5, 0XF9, 0XF0, 0XE1, 0XFB, 0XEE, 0XD5, 0XF6, 0XE5, 0XBA, 0XE2, 0XCF, 0X81, 0XB0, 0X9A, 0X4B, 0X88, 0X6A, 0X3C, 0X92, 0X65, 0X27, 0X96, 0X65, 0X1B, 0X9A, 0X67, 0X26, 0X9F, 0X6C, 0X34, 0X99, 0X69, 0X3A, 0X92, 0X65, 0X2C, 0X86, 0X59, 0X1E, 0X7E, 0X4F, 0X26, 0X81, 0X53, 0X3B, 0X86, 0X5C, 0X3A, 0X88, 0X5E, 0X35, 0X8C, 0X62, 0X37, 0X92, 0X67, 0X34, 0X8F, 0X64, 0X39, 0X8F, 0X64, 0X49, 0X91, 0X69, 0X5C, 0X96, 0X6F, 0X67, 0X95, 0X71, 0X69, 0X92, 0X6F, 0X66, 0X91, 0X6D, 0X64, 0X93, 0X6E, 0X54, 0X94, 0X68, 0X40, 0X8A, 0X5A, 0X33, 0X7F, 0X4F, 0XFD, 0XFA, 0XFA, 0XBB, 0XC2, 0XD3, 0X21, 0X36, 0X60, 0X0D, 0X31, 0X76, 0X23, 0X52, 0XA6, 0X2D, 0X5C, 0XB4, 0X45, 0X72, 0XC1, 0X61, 0X89, 0XCA, 0X8F, 0XB3, 0XE6, 0XB9, 0XDC, 0XFF, 0XBE, 0XDD, 0XFB, 0XC8, 0XE5, 0XF9, 0XC0, 0XDE, 0XF7, 0XBB, 0XDA, 0XF8, 0XB7, 0XD6, 0XF8, 0XBE, 0XDA, 0XF8, 0XCD, 0XE3, 0XFC, 0XC3, 0XD8, 0XED, 0XC2, 0XDA, 0XEE, 0XBD, 0XDA, 0XF6, 0XB2, 0XD7, 0XF9, 0XB0, 0XDD, 0XFC, 0XA8, 0XDA, 0XF3, 0XAC, 0XD8, 0XEE, 0XAF, 0XD7, 0XED, 0XB0, 0XD6, 0XF0, 0X86, 0XB0, 0XD5, 0X3E, 0X6C, 0XA1, 0X3D, 0X70, 0XB3, 0X36, 0X6C, 0XB9, 0X36, 0X6A, 0XBD, 0X20, 0X51, 0XA4, 0X18, 0X38, 0X86, 0X11, 0X29, 0X6A, 0X02, 0X22, 0X4F, 0X17, 0X4F, 0X62, 0X74, 0XBF, 0XBA, 0X70, 0XCA, 0XAF, 0X6E, 0XCF, 0XA6, 0X6E, 0XCE, 0X9F, 0X6F, 0XCB, 0X9B, 0X72, 0XC7, 0X9A, 0X71, 0XC3, 0X98, 0X6B, 0XC4, 0X98, 0X62, 0XC1, 0X92, 0X5F, 0XC0, 0X8E, 0X5D, 0XC1, 0X8D, 0X5E, 0XC3, 0X8C, 0X5C, 0XC1, 0X8A, 0X57, 0XBC, 0X85, 0X58, 0XBA, 0X86, 0X5D, 0XBD, 0X8B, 0X61, 0XBF, 0X90, 0X5D, 0XBD, 0X8E, 0X51, 0XB6, 0X85, 0X49, 0XB1, 0X7E, 0X49, 0XAE, 0X7B, 0X4F, 0XAC, 0X7C, 0X57, 0XA3, 0X79, 0X63, 0X9B, 0X78, 0X8C, 0XB3, 0X98, 0XD1, 0XEB, 0XD8, 0XEB, 0XFE, 0XF6, 0XD9, 0XF3, 0XE8, 0XCB, 0XE8, 0XE1, 0XC4, 0XE4, 0XE2, 0XBF, 0XDD,

0XDC, 0XC4, 0XDE, 0XDE, 0XCA, 0XE2, 0XDF, 0XCB, 0XE0, 0XDD, 0XCD, 0XE2, 0XDD, 0XD7, 0XE8, 0XE4, 0XE0, 0XF3, 0XEE, 0XE6, 0XFB, 0XF6, 0XCB, 0XE1, 0XDD, 0X8B, 0XB2, 0XA1, 0X38, 0X82, 0X5C, 0X18, 0X88, 0X59, 0X12, 0X9B, 0X66, 0X13, 0X9A, 0X66, 0X28, 0X94, 0X64, 0X3B, 0X92, 0X64, 0X38, 0X87, 0X5C, 0X2C, 0X81, 0X55, 0X2C, 0X81, 0X56, 0X35, 0X84, 0X59, 0X36, 0X84, 0X5A, 0X30, 0X81, 0X57, 0X2D, 0X84, 0X5A, 0X37, 0X90, 0X65, 0X42, 0X96, 0X6C, 0X48, 0X94, 0X6B, 0X47, 0X87, 0X61, 0X48, 0X82, 0X5C, 0X3E, 0X78, 0X52, 0X31, 0X6E, 0X48, 0X28, 0X6B, 0X44, 0X17, 0X68, 0X3C, 0X0F, 0X68, 0X38, 0X11, 0X6B, 0X3B, 0XFB, 0XFA, 0XFC, 0XD7, 0XE0, 0XF1, 0X2F, 0X46, 0X6F, 0X17, 0X3D, 0X7F, 0X29, 0X57, 0XA8, 0X29, 0X56, 0XA8, 0X47, 0X71, 0XB8, 0X89, 0XAC, 0XE4, 0XBB, 0XD9, 0XFD, 0XC8, 0XE3, 0XFD, 0XC8, 0XE4, 0XFA, 0XC7, 0XE6, 0XFB, 0XBA, 0XDD, 0XF9, 0XAE, 0XD4, 0XF8, 0XA7, 0XCC, 0XF3, 0XB9, 0XD7, 0XFA, 0XD6, 0XED, 0XFF, 0XCC, 0XE1, 0XF5, 0XCB, 0XE2, 0XF7, 0XBE, 0XDE, 0XFC, 0XA8, 0XD2, 0XFA, 0XA4, 0XD7, 0XFC, 0XA3, 0XD8, 0XF7, 0XAD, 0XDC, 0XF6, 0XB3, 0XDA, 0XF3, 0XB2, 0XD7, 0XF3, 0XA6, 0XCC, 0XF1, 0X78, 0XA2, 0XD5, 0X39, 0X67, 0XA9, 0X35, 0X64, 0XAF, 0X23, 0X52, 0XA2, 0X0F, 0X3B, 0X8C, 0X12, 0X30, 0X7A, 0X0D, 0X27, 0X61, 0X03, 0X2B, 0X4E, 0X69, 0XA8, 0XAE, 0X66, 0XB6, 0XA4, 0X5D, 0XBC, 0X96, 0X5C, 0XBF, 0X91, 0X60, 0XC0, 0X8E, 0X65, 0XBD, 0X8E, 0X6B, 0XBA, 0X8E, 0X6D, 0XB9, 0X8D, 0X68, 0XBE, 0X90, 0X5E, 0XBA, 0X8B, 0X5A, 0XB7, 0X85, 0X5E, 0XBB, 0X88, 0X62, 0XC1, 0X8B, 0X62, 0XC3, 0X8B, 0X5F, 0XC0, 0X89, 0X5A, 0XBD, 0X88, 0X52, 0XB7, 0X84, 0X4B, 0XB2, 0X80, 0X46, 0XB0, 0X7F, 0X39, 0XA9, 0X77, 0X39, 0XAA, 0X78, 0X41, 0XAE, 0X7D, 0X4D, 0XAE, 0X80, 0X55, 0XA4, 0X7D, 0X72, 0XAD, 0X8D, 0XBE, 0XE6, 0XCD, 0XE0, 0XFB, 0XED, 0XCC, 0XE5, 0XDB, 0XB8, 0XD5, 0XCD, 0X96, 0XBC, 0XB6, 0X84, 0XBD, 0XB2, 0X83, 0XBD, 0XB2, 0X81, 0XB7, 0XAC, 0X88, 0XB9, 0XAE, 0X9F, 0XC8, 0XBE, 0XB3, 0XD4, 0XCC, 0XC5, 0XDD, 0XD8, 0XCF, 0XDE, 0XDC, 0XDD, 0XE6, 0XE8, 0XE9, 0XED, 0XF3, 0XCC, 0XDE, 0XD8, 0X6D, 0XA2, 0X84, 0X1B, 0X80, 0X56, 0X0B, 0X90, 0X5F, 0X05, 0X8E, 0X5A, 0X1E, 0X8E, 0X5E, 0X36, 0X8D, 0X5F, 0X3D, 0X8B, 0X60, 0X3A, 0X8C, 0X61, 0X31, 0X89, 0X5F, 0X2A, 0X82, 0X57, 0X26, 0X78, 0X4E, 0X23, 0X73, 0X48, 0X26, 0X7A, 0X4F, 0X31, 0X86, 0X5C, 0X39, 0X8A, 0X61, 0X3C, 0X85, 0X5D, 0X45, 0X84, 0X5D, 0X40, 0X79, 0X56, 0X36, 0X70, 0X4D, 0X2B, 0X69, 0X46, 0X1F, 0X65, 0X40, 0X17, 0X65, 0X3C, 0X10, 0X64, 0X39, 0X0E, 0X63, 0X38, 0XF4, 0XFB, 0XFF, 0XC7, 0XD6, 0XED, 0X60, 0X7C, 0XA7, 0X21, 0X49, 0X86, 0X26, 0X53, 0X9C, 0X2F, 0X5A, 0XA0, 0X70, 0X94, 0XCF, 0XB4, 0XCF, 0XFB, 0XCC, 0XE2, 0XFD, 0XDA, 0XED, 0XFE, 0XD5, 0XEA, 0XF9, 0XC1, 0XE2, 0XF8, 0XB1, 0XDB, 0XFC, 0X9F, 0XCC, 0XF6, 0X94, 0XBF, 0XEC, 0XA5, 0XC9, 0XF0, 0XCA, 0XE1, 0XFE, 0XCC, 0XE1, 0XF5, 0XC6, 0XDC, 0XF2, 0XA4, 0XC5, 0XE7, 0X89, 0XB7, 0XE6, 0X8D, 0XC2, 0XF2, 0X9A, 0XCE, 0XF4, 0XA8, 0XD5, 0XF5, 0XB4, 0XD7, 0XF4, 0XB6, 0XD5, 0XF3, 0XB1, 0XD1, 0XF6, 0X97, 0XB8, 0XEB, 0X4E, 0X73, 0XB2, 0X25, 0X4A, 0X94, 0X1A, 0X40, 0X8C, 0X1C, 0X3F, 0X8C, 0X16, 0X33, 0X79, 0X06, 0X22, 0X58, 0X54, 0X80, 0X9B, 0X64, 0XA7, 0XA1, 0X4F, 0XA1, 0X83, 0X53, 0XAF, 0X82, 0X51, 0XB1, 0X7F, 0X49, 0XA5, 0X74, 0X55, 0XA7, 0X7B, 0X69, 0XB4, 0X88, 0X6D, 0XB6, 0X88, 0X66, 0XB6, 0X89, 0X59, 0XB0, 0X81, 0X5C, 0XB3, 0X81, 0X66, 0XBB, 0X88, 0X69, 0XBE, 0X89, 0X64, 0XBD, 0X87, 0X5F, 0XBC, 0X85, 0X55, 0XB6, 0X80, 0X41, 0XA8, 0X73, 0X37, 0XA1, 0X6E, 0X28, 0X95, 0X64, 0X26, 0X93, 0X63, 0X2C, 0X99, 0X69, 0X3B, 0XA3, 0X75, 0X45, 0XA2, 0X76, 0X58, 0XA6, 0X7F, 0XAA, 0XE7, 0XC7, 0XCE, 0XFD, 0XE3, 0XC9, 0XEF, 0XDC, 0X96, 0XBA, 0XAC, 0X5F, 0X89, 0X7E, 0X4F, 0X8A, 0X7C, 0X35, 0X8F, 0X74, 0X34, 0X93, 0X75, 0X38, 0X94, 0X76, 0X3D, 0X90, 0X74, 0X43, 0X89, 0X72, 0X66, 0X9E, 0X8C, 0X9F, 0XC7, 0XBB, 0XCD, 0XE3, 0XDF, 0XCE, 0XD5, 0XDA, 0XE2, 0XDD, 0XE8, 0XE7, 0XE8, 0XE9, 0XB2, 0XD0, 0XBB, 0X3A, 0X8A, 0X69, 0X0C, 0X83, 0X58, 0X03, 0X86, 0X54, 0X1B, 0X8A, 0X5A, 0X36, 0X8F, 0X61, 0X42, 0X96, 0X6A, 0X3A, 0X94, 0X68, 0X36, 0X98, 0X6C, 0X29, 0X8B, 0X61, 0X1B, 0X73, 0X49, 0X14, 0X64, 0X39, 0X16, 0X68, 0X3D, 0X25, 0X77, 0X4D, 0X2B, 0X77, 0X4E, 0X33, 0X74, 0X4D, 0X3A, 0X70, 0X4D, 0X37, 0X66, 0X46, 0X37, 0X67, 0X47, 0X31, 0X65, 0X44, 0X26, 0X63, 0X42, 0X22, 0X65, 0X42, 0X23, 0X67, 0X42, 0X1D, 0X61, 0X3C, 0XEB, 0XF7, 0XFF, 0XB0, 0XC4, 0XDC, 0X53, 0X71, 0X9A, 0X33, 0X5A, 0X91, 0X2A, 0X53, 0X90, 0X60, 0X85, 0XBD, 0X9E, 0XBE, 0XE9, 0XC9, 0XE1, 0XFE, 0XD5, 0XE9, 0XFC, 0XDB, 0XEC, 0XFA, 0XCD, 0XE4, 0XF2, 0XB7, 0XDD, 0XF7, 0XA1, 0XD1, 0XF8, 0X8A, 0XBF, 0XF1, 0X7E, 0XB2, 0XE6, 0X93, 0XBA, 0XE7, 0XBE, 0XD7, 0XF4, 0XD2, 0XE3, 0XF6, 0XCD, 0XE1, 0XF5, 0X9C, 0XBD, 0XE0, 0X70, 0X9F, 0XD3, 0X6D, 0XA3, 0XD9, 0X85, 0XB9, 0XE6, 0XA0, 0XCC, 0XF2, 0XB7, 0XD9, 0XF8, 0XBE, 0XDA, 0XF8, 0XBC, 0XD6, 0XF9, 0XA7, 0XC3, 0XF2, 0X73, 0X91, 0XCC, 0X26, 0X44, 0X87, 0X1D, 0X3B, 0X80, 0X1F, 0X3B, 0X83, 0X0C, 0X28, 0X69, 0X13, 0X35, 0X65, 0X66, 0X96, 0XA8, 0X52, 0X95, 0X85, 0X48, 0X97, 0X6F, 0X4B, 0XA1, 0X6E, 0X4C, 0XA1, 0X70, 0X43, 0X95, 0X69, 0X4C, 0X97, 0X6E, 0X5E, 0XA4, 0X7A, 0X63, 0XA8, 0X7B, 0X60, 0XAC, 0X7F, 0X59, 0XAA, 0X7A, 0X5C, 0XAA, 0X7A, 0X65, 0XB2, 0X7F, 0X68, 0XB5, 0X80, 0X63, 0XB2, 0X7D, 0X58, 0XAC, 0X75, 0X43, 0X9F, 0X69, 0X30, 0X92, 0X5E, 0X24, 0X8E, 0X59, 0X16, 0X82, 0X50, 0X17, 0X7B, 0X4D, 0X29, 0X8C, 0X5E, 0X36, 0X95, 0X68, 0X42, 0X9B, 0X6F, 0X7B, 0XC8, 0X9F, 0XBE, 0XFA, 0XDB,

0XAF, 0XE1, 0XC4, 0X7F, 0XAF, 0X97, 0X4F, 0X83, 0X6E, 0X32, 0X6F, 0X5D, 0X2C, 0X7B, 0X63, 0X1B, 0X89, 0X5F, 0X1A, 0X8F, 0X62, 0X20, 0X91, 0X65, 0X27, 0X92, 0X66, 0X2D, 0X8C, 0X67, 0X3C, 0X88, 0X6B, 0X67, 0X9F, 0X8B, 0XA7, 0XC8, 0XC0, 0XCF, 0XDC, 0XE0, 0XCE, 0XCB, 0XD8, 0XE3, 0XDD, 0XE2, 0XD5, 0XE1, 0XD4, 0X62, 0X9D, 0X82, 0X1C, 0X80, 0X5A, 0X0D, 0X80, 0X54, 0X15, 0X7D, 0X4F, 0X2C, 0X89, 0X5A, 0X36, 0X94, 0X66, 0X32, 0X99, 0X6A, 0X30, 0X9A, 0X6E, 0X27, 0X8B, 0X62, 0X19, 0X70, 0X46, 0X11, 0X5F, 0X33, 0X13, 0X61, 0X36, 0X25, 0X70, 0X48, 0X29, 0X6E, 0X47, 0X2A, 0X64, 0X3F, 0X2A, 0X57, 0X37, 0X2F, 0X55, 0X38, 0X36, 0X5C, 0X40, 0X32, 0X5D, 0X41, 0X28, 0X5B, 0X3E, 0X29, 0X61, 0X43, 0X2A, 0X62, 0X43, 0X25, 0X5C, 0X3D, 0XEB, 0XF9, 0XFF, 0XB8, 0XCA, 0XDE, 0X41, 0X5B, 0X7C, 0X21, 0X42, 0X6D, 0X59, 0X7A, 0XAA, 0X9E, 0XBD, 0XE7, 0XC3, 0XDE, 0XFE, 0XD2, 0XE9, 0XFF, 0XD2, 0XE7, 0XFC, 0XCE, 0XE5, 0XF8, 0XBB, 0XD9, 0XEE, 0XA3, 0XD0, 0XF1, 0X85, 0XBB, 0XEB, 0X69, 0XA6, 0XE0, 0X5D, 0X96, 0XD3, 0X75, 0XA0, 0XD2, 0XAF, 0XC8, 0XE5, 0XD6, 0XE5, 0XF7, 0XCA, 0XDB, 0XED, 0X8C, 0XAB, 0XCE, 0X6F, 0X9E, 0XD6, 0X75, 0XAD, 0XE8, 0X7E, 0XB4, 0XE7, 0X94, 0XC2, 0XEC, 0XA8, 0XCC, 0XED, 0XB8, 0XD3, 0XF1, 0XC1, 0XD8, 0XFA, 0XAC, 0XC5, 0XEF, 0X9C, 0XB7, 0XEB, 0X4B, 0X68, 0XA2, 0X1E, 0X3A, 0X77, 0X23, 0X3D, 0X7A, 0X1E, 0X3C, 0X78, 0X2B, 0X52, 0X80, 0X83, 0XB5, 0XC3, 0X51, 0X91, 0X7A, 0X40, 0X89, 0X5B, 0X44, 0X90, 0X5A, 0X45, 0X8F, 0X5E, 0X3D, 0X84, 0X5C, 0X40, 0X84, 0X5F, 0X4A, 0X8E, 0X65, 0X52, 0X96, 0X68, 0X4C, 0X95, 0X67, 0X51, 0X9B, 0X6D, 0X5D, 0XA4, 0X73, 0X69, 0XAD, 0X7A, 0X6B, 0XAE, 0X7A, 0X61, 0XA6, 0X71, 0X4F, 0X9A, 0X64, 0X34, 0X87, 0X52, 0X25, 0X81, 0X4B, 0X1A, 0X7F, 0X4B, 0X10, 0X77, 0X46, 0X1A, 0X77, 0X4A, 0X20, 0X7A, 0X4E, 0X30, 0X89, 0X5D, 0X41, 0X96, 0X69, 0X65, 0XAE, 0X84, 0X77, 0XB7, 0X90, 0X60, 0X97, 0X74, 0X47, 0X80, 0X60, 0X34, 0X76, 0X59, 0X26, 0X73, 0X57, 0X1E, 0X79, 0X57, 0X14, 0X83, 0X50, 0X14, 0X89, 0X52, 0X18, 0X8D, 0X56, 0X1C, 0X8E, 0X59, 0X20, 0X8A, 0X5C, 0X32, 0X8B, 0X68, 0X3E, 0X83, 0X6B, 0X7B, 0XA7, 0X9D, 0XC9, 0XDF, 0XE3, 0XBE, 0XC3, 0XD1, 0XDD, 0XD9, 0XE2, 0XE5, 0XE9, 0XE1, 0X81, 0XAF, 0X99, 0X2E, 0X7F, 0X5F, 0X23, 0X85, 0X5D, 0X20, 0X80, 0X53, 0X20, 0X7E, 0X4F, 0X22, 0X8A, 0X5A, 0X1F, 0X8F, 0X60, 0X20, 0X8B, 0X61, 0X1E, 0X7A, 0X55, 0X1B, 0X6A, 0X42, 0X18, 0X60, 0X35, 0X1D, 0X65, 0X3B, 0X2E, 0X74, 0X4C, 0X32, 0X70, 0X4B, 0X2B, 0X5E, 0X3C, 0X27, 0X4E, 0X30, 0X25, 0X46, 0X2B, 0X24, 0X49, 0X2E, 0X25, 0X4F, 0X34, 0X27, 0X5A, 0X3D, 0X26, 0X5D, 0X41, 0X26, 0X5D, 0X41, 0X21, 0X57, 0X3B, 0XF3, 0XFC, 0XFF, 0XDF, 0XEB, 0XF8, 0X83, 0X96, 0XAB, 0X63, 0X7B, 0X97, 0XB0, 0XC9, 0XE8, 0XC3, 0XDB, 0XF8, 0XCE, 0XE5, 0XFF, 0XCD, 0XE6, 0XFE, 0XC2, 0XE1, 0XFE, 0XB5, 0XDA, 0XFA, 0XA1, 0XCB, 0XEF, 0X83, 0XB6, 0XDD, 0X64, 0XA0, 0XD5, 0X4D, 0X8F, 0XD1, 0X4C, 0X8B, 0XCF, 0X6D, 0X9C, 0XD1, 0X9F, 0XB9, 0XD8, 0XCD, 0XDA, 0XEA, 0XD0, 0XDE, 0XEF, 0XA3, 0XC0, 0XE3, 0X6B, 0X9A, 0XD3, 0X4B, 0X85, 0XC3, 0X5A, 0X96, 0XCD, 0X79, 0XAC, 0XD9, 0X92, 0XBB, 0XDE, 0XA6, 0XC5, 0XE2, 0XB2, 0XCD, 0XEB, 0XB0, 0XCB, 0XF0, 0XA1, 0XC0, 0XED, 0X8A, 0XAA, 0XDC, 0X4D, 0X6B, 0XA0, 0X1D, 0X3A, 0X6E, 0X16, 0X39, 0X6F, 0X2C, 0X58, 0X84, 0X79, 0XAD, 0XB6, 0X49, 0X86, 0X6A, 0X32, 0X73, 0X42, 0X3C, 0X7C, 0X45, 0X40, 0X7D, 0X4F, 0X3B, 0X75, 0X52, 0X34, 0X72, 0X51, 0X35, 0X75, 0X50, 0X37, 0X7C, 0X51, 0X36, 0X7D, 0X4F, 0X4D, 0X93, 0X64, 0X66, 0XA7, 0X77, 0X74, 0XB0, 0X7E, 0X6F, 0XAA, 0X77, 0X5D, 0X98, 0X65, 0X45, 0X86, 0X52, 0X2D, 0X77, 0X43, 0X21, 0X76, 0X42, 0X18, 0X77, 0X43, 0X13, 0X75, 0X43, 0X17, 0X72, 0X45, 0X1B, 0X74, 0X48, 0X2B, 0X84, 0X56, 0X35, 0X88, 0X59, 0X47, 0X91, 0X64, 0X4F, 0X91, 0X64, 0X4E, 0X88, 0X5F, 0X41, 0X7E, 0X57, 0X2E, 0X75, 0X4F, 0X20, 0X72, 0X4C, 0X1E, 0X76, 0X4C, 0X29, 0X80, 0X4D, 0X28, 0X83, 0X4D, 0X24, 0X85, 0X4E, 0X21, 0X85, 0X51, 0X21, 0X82, 0X54, 0X27, 0X7F, 0X5A, 0X37, 0X7F, 0X69, 0X78, 0XAB, 0XA3, 0XC2, 0XE0, 0XE7, 0XBA, 0XC7, 0XD9, 0XD1, 0XD5, 0XE1, 0XDE, 0XE8, 0XE1, 0X8A, 0XB3, 0XA1, 0X38, 0X7E, 0X61, 0X35, 0X8A, 0X63, 0X2D, 0X86, 0X5A, 0X24, 0X86, 0X57, 0X1C, 0X8B, 0X5A, 0X16, 0X89, 0X5A, 0X19, 0X7D, 0X54, 0X22, 0X6B, 0X4A, 0X20, 0X5E, 0X39, 0X1D, 0X5A, 0X30, 0X20, 0X5F, 0X37, 0X2D, 0X6B, 0X44, 0X30, 0X68, 0X43, 0X26, 0X55, 0X34, 0X22, 0X4A, 0X2D, 0X21, 0X48, 0X2D, 0X1E, 0X4B, 0X31, 0X18, 0X4E, 0X33, 0X17, 0X57, 0X3B, 0X16, 0X5A, 0X3F, 0X16, 0X5B, 0X3F, 0X12, 0X54, 0X39, 0XF7, 0XFA, 0XF8, 0XF4, 0XFA, 0XFD, 0XD9, 0XE3, 0XED, 0XC3, 0XD2, 0XE2, 0XD8, 0XE9, 0XFB, 0XD2, 0XE5, 0XF8, 0XD2, 0XE8, 0XFD, 0XC6, 0XE3, 0XFF, 0XB0, 0XD6, 0XFC, 0X93, 0XC3, 0XF3, 0X7A, 0XB1, 0XE4, 0X67, 0XA0, 0XCC, 0X4A, 0X8A, 0XC4, 0X3A, 0X80, 0XC7, 0X41, 0X87, 0XCD, 0X6D, 0X9E, 0XD5, 0X8E, 0XAA, 0XC9, 0XCF, 0XDB, 0XEB, 0XCD, 0XDA, 0XEA, 0X92, 0XAD, 0XCE, 0X60, 0X90, 0XC9, 0X43, 0X81, 0XC0, 0X44, 0X87, 0XBF, 0X69, 0XA2, 0XD2, 0X86, 0XB5, 0XD7, 0X9A, 0XC0, 0XDB, 0XA9, 0XCA, 0XE4, 0XA9, 0XCB, 0XEA, 0X9D, 0XC0, 0XE6, 0X99, 0XBE, 0XE9, 0X86, 0XA8, 0XD6, 0X42, 0X63, 0X90, 0X12, 0X39, 0X6C, 0X40, 0X6F, 0X99, 0X65, 0X9A, 0XA2, 0X34, 0X6E, 0X50, 0X31, 0X6C, 0X38, 0X3C, 0X73, 0X3A, 0X43, 0X76, 0X49, 0X40, 0X72, 0X52, 0X33, 0X6A, 0X4D, 0X27, 0X67, 0X44, 0X26, 0X6A, 0X40, 0X36, 0X7B, 0X4E, 0X57, 0X9A, 0X6B, 0X70, 0XAD, 0X7D, 0X78, 0XAF, 0X7E, 0X6F, 0XA3, 0X71, 0X55, 0X8B, 0X56, 0X3D, 0X77, 0X43, 0X2D, 0X70, 0X3D, 0X22, 0X72, 0X3E, 0X14, 0X6F, 0X3A, 0X13,

0X71,0X3F,0X11,0X6B,0X3E,0X14,0X6F,0X42,0X1E,0X77,0X49,0X25,0X79,0X48,0X42,0X8E,
0X5D,0X4A,0X8B,0X5A,0X4E,0X8A,0X5A,0X40,0X7E,0X50,0X29,0X70,0X45,0X1E,0X70,0X44,
0X26,0X78,0X4B,0X3B,0X76,0X47,0X3B,0X77,0X47,0X32,0X7A,0X49,0X2A,0X7A,0X4B,0X24,
0X7A,0X4F,0X2B,0X7C,0X5C,0X63,0XA8,0X96,0XA3,0XD8,0XD4,0XB4,0XD5,0XE1,0XAE,0XC1,
0XD9,0XBD,0XCB,0XDA,0XCE,0XE2,0XDE,0X80,0XAC,0X9B,0X38,0X77,0X5C,0X38,0X84,0X61,
0X2F,0X83,0X59,0X1F,0X83,0X53,0X13,0X87,0X55,0X0F,0X84,0X54,0X14,0X70,0X48,0X20,
0X58,0X3A,0X23,0X51,0X30,0X25,0X59,0X31,0X25,0X5D,0X35,0X27,0X60,0X3A,0X26,0X5B,
0X37,0X1C,0X4C,0X2B,0X13,0X3F,0X22,0X16,0X45,0X29,0X17,0X50,0X33,0X0F,0X53,0X38,
0X0B,0X5B,0X3E,0X14,0X69,0X4D,0X16,0X6C,0X50,0X12,0X66,0X4A,0XFD,0XFB,0XF3,0XF8,
0XF8,0XF4,0XEF,0XF4,0XF6,0XDA,0XE5,0XEE,0XCB,0XDE,0XEB,0XCF,0XE9,0XFA,0XC3,0XE6,
0XFB,0XBC,0XE4,0XFE,0XAC,0XD7,0XF8,0X87,0XB3,0XDC,0X6B,0X99,0XC7,0X5A,0X8A,0XBD,
0X36,0X72,0XAF,0X2D,0X74,0XB8,0X31,0X7B,0XBC,0X5B,0X93,0XC8,0X88,0XA9,0XCB,0XBA,
0XCC,0XE1,0XBB,0XCC,0XE2,0X95,0XB5,0XD9,0X5C,0X90,0XC5,0X35,0X74,0XB3,0X3B,0X7D,
0XBB,0X4C,0X86,0XBC,0X5F,0X8E,0XBA,0X77,0X9E,0XC3,0X89,0XAC,0XCF,0X97,0XBB,0XE1,
0XA0,0XC4,0XED,0X90,0XB4,0XDE,0X9B,0XBE,0XE4,0X78,0X98,0XBA,0X4C,0X77,0X90,0X63,
0X9C,0XA4,0X5A,0X93,0X8A,0X31,0X6C,0X4E,0X34,0X6E,0X43,0X3E,0X75,0X45,0X43,0X7A,
0X50,0X42,0X79,0X55,0X36,0X71,0X4F,0X2B,0X6A,0X45,0X29,0X6B,0X41,0X47,0X83,0X54,
0X69,0X9F,0X6E,0X78,0XAC,0X7B,0X77,0XA9,0X78,0X69,0X9A,0X68,0X50,0X80,0X4E,0X3D,
0X72,0X40,0X35,0X70,0X3E,0X2A,0X6D,0X3D,0X1C,0X67,0X36,0X17,0X65,0X35,0X1C,0X6B,
0X3A,0X18,0X68,0X36,0X1D,0X6C,0X39,0X24,0X72,0X3F,0X35,0X80,0X4C,0X3C,0X83,0X4E,
0X45,0X87,0X54,0X40,0X83,0X50,0X32,0X77,0X46,0X24,0X6F,0X3D,0X20,0X6B,0X39,0X33,
0X70,0X3F,0X35,0X70,0X43,0X31,0X6F,0X47,0X28,0X69,0X47,0X3E,0X7E,0X67,0X69,0XA5,
0X99,0XA2,0XD8,0XD7,0XBB,0XE9,0XF1,0XA5,0XC8,0XDB,0X9C,0XB8,0XD1,0XA8,0XBF,0XD2,
0XBD,0XD5,0XD7,0X6C,0X95,0X89,0X37,0X72,0X58,0X33,0X7D,0X57,0X2B,0X81,0X54,0X1D,
0X7F,0X4F,0X1A,0X83,0X55,0X1D,0X84,0X59,0X1C,0X70,0X4B,0X18,0X56,0X36,0X17,0X50,
0X2C,0X19,0X57,0X2E,0X1C,0X57,0X31,0X1C,0X54,0X31,0X1A,0X4D,0X2E,0X10,0X3F,0X24,
0X0A,0X39,0X20,0X0B,0X3F,0X26,0X09,0X49,0X2E,0X06,0X51,0X35,0X0B,0X62,0X46,0X12,
0X79,0X5B,0X13,0X82,0X64,0X0E,0X7C,0X5D,0XFB,0XF8,0XEB,0XF9,0XF7,0XEE,0XFA,0XFA,
0XF7,0XE6,0XEF,0XF4,0XCC,0XDE,0XEC,0XC9,0XE9,0XFB,0XC9,0XF3,0XFF,0XB6,0XE2,0XF5,
0XBC,0XE4,0XFD,0XB0,0XD0,0XEB,0X66,0X81,0XA4,0X24,0X43,0X75,0X0F,0X40,0X7A,0X1D,
0X5F,0X9C,0X1F,0X69,0XA3,0X3A,0X77,0XA9,0X71,0X97,0XBE,0XA7,0XBD,0XDC,0XAA,0XBE,
0XDE,0X85,0XA8,0XD2,0X4B,0X82,0XB7,0X29,0X68,0XA5,0X1B,0X58,0X97,0X1F,0X54,0X8D,
0X41,0X6D,0X9D,0X58,0X7C,0XA8,0X7A,0X9C,0XC7,0X94,0XB7,0XE3,0X9E,0XC1,0XED,0X9B,
0XBE,0XE5,0XA9,0XC8,0XE9,0X9F,0XBB,0XD4,0X9E,0XCC,0XCA,0X67,0XA7,0X8A,0X41,0X7E,
0X61,0X33,0X6E,0X4F,0X25,0X61,0X3C,0X38,0X74,0X4C,0X42,0X7C,0X54,0X40,0X7C,0X53,
0X35,0X74,0X4A,0X2C,0X6B,0X43,0X2E,0X6E,0X44,0X3C,0X71,0X42,0X60,0X8E,0X5E,0X74,
0XA0,0X71,0X72,0X9E,0X6F,0X60,0X8B,0X5D,0X46,0X74,0X46,0X3C,0X6C,0X40,0X2D,0X60,
0X35,0X1F,0X57,0X2D,0X1A,0X54,0X2B,0X17,0X53,0X28,0X1D,0X5C,0X2D,0X1F,0X5F,0X30,
0X1D,0X5F,0X2E,0X1D,0X63,0X32,0X2A,0X70,0X41,0X35,0X7C,0X4B,0X3C,0X83,0X51,0X3C,
0X80,0X50,0X30,0X71,0X43,0X28,0X68,0X39,0X27,0X67,0X39,0X2D,0X6F,0X41,0X20,0X5F,
0X37,0X1E,0X59,0X3D,0X32,0X68,0X58,0X7D,0XAB,0XAA,0XA9,0XD2,0XDD,0XBA,0XE1,0XF1,
0XAE,0XD3,0XE9,0X9C,0XC0,0XD8,0X89,0XAC,0XC6,0X96,0XB3,0XC8,0XB1,0XC7,0XD0,0X5B,
0X7F,0X77,0X30,0X68,0X4E,0X24,0X6F,0X46,0X1B,0X74,0X44,0X13,0X6F,0X43,0X1B,0X75,
0X4D,0X27,0X7B,0X58,0X1E,0X6B,0X4A,0X0D,0X54,0X33,0X0A,0X51,0X2B,0X0C,0X54,0X2A,
0X12,0X52,0X2E,0X17,0X4D,0X2F,0X14,0X42,0X28,0X0C,0X36,0X1E,0X04,0X30,0X1D,0X05,
0X39,0X25,0X06,0X43,0X2E,0X02,0X4B,0X33,0X0B,0X5E,0X42,0X0D,0X79,0X5B,0X0E,0X88,
0X69,0X0D,0X84,0X66,0XF1,0XF6,0XE0,0XF3,0XF4,0XE5,0XF6,0XF5,0XF0,0XF0,0XF7,
0XDA,0XE3,0XF2,0XD2,0XE4,0XF9,0XC7,0XE1,0XF9,0XBE,0XDA,0XF2,0XAE,0XC7,0XDD,0X85,
0X96,0XAB,0X61,0X6D,0X84,0X20,0X2D,0X50,0X0F,0X2E,0X5B,0X19,0X4B,0X7F,0X14,0X51,
0X87,0X23,0X58,0X8A,0X52,0X75,0XA0,0X93,0XA8,0XD0,0X8E,0XA3,0XCC,0X59,0X7C,0XAF,
0X27,0X5D,0X9B,0X1D,0X56,0X95,0X17,0X48,0X7E,0X05,0X2D,0X5C,0X27,0X48,0X70,0X5A,
0X77,0X9B,0X87,0XA4,0XC8,0X99,0XB8,0XE0,0X9D,0XBE,0XE7,0X9B,0XBD,0XE2,0XA1,0XBF,
0XDD,0XB2,0XCE,0XE5,0XA1,0XCC,0XC5,0X51,0X8B,0X6A,0X3C,0X75,0X52,0X2A,0X61,0X3C,
0X29,0X61,0X38,0X33,0X6C,0X40,0X3C,0X75,0X48,0X3A,0X76,0X4A,0X31,0X6F,0X45,0X2A,
0X69,0X40,0X2B,0X6C,0X43,0X3C,0X73,0X49,0X52,0X82,0X58,0X58,0X85,0X5C,0X4F,0X7B,

0X54,0X40,0X6A,0X46,0X2F,0X5A,0X37,0X2A,0X57,0X35,0X23,0X52,0X32,0X1B,0X4D,0X2E,
0X16,0X4B,0X2D,0X18,0X4D,0X2F,0X1D,0X52,0X34,0X1C,0X51,0X34,0X19,0X50,0X31,0X1A,
0X54,0X35,0X24,0X5F,0X41,0X2D,0X69,0X4B,0X36,0X73,0X53,0X39,0X73,0X54,0X2E,0X66,
0X48,0X29,0X5E,0X40,0X2B,0X60,0X43,0X2E,0X65,0X48,0X43,0X77,0X60,0X63,0X94,0X87,
0X8D,0XB9,0XB7,0XB7,0XDC,0XE7,0XC3,0XE6,0XF8,0XB4,0XD6,0XEF,0XA2,0XC2,0XDE,0X98,
0XB9,0XD7,0X87,0XA9,0XC7,0XA0,0XBA,0XD1,0XB0,0XC0,0XC9,0X56,0X74,0X6D,0X2C,0X60,
0X47,0X21,0X69,0X43,0X13,0X6A,0X3D,0X04,0X5D,0X34,0X09,0X61,0X3D,0X16,0X65,0X46,
0X13,0X57,0X3B,0X0A,0X47,0X2B,0X0A,0X49,0X27,0X0E,0X4E,0X27,0X17,0X4E,0X2C,0X1C,
0X49,0X2D,0X17,0X3C,0X23,0X0F,0X30,0X1A,0X0B,0X2B,0X1A,0X0A,0X32,0X20,0X08,0X3C,
0X27,0X06,0X43,0X2B,0X0C,0X54,0X3A,0X10,0X6A,0X4D,0X16,0X79,0X5B,0X1B,0X7B,0X5D,
0XD8,0XE8,0XC8,0XE5,0XF0,0XD8,0XEE,0XF1,0XE7,0XF3,0XF1,0XF7,0XE3,0XE3,0XF4,0XD9,
0XDC,0XF6,0XB8,0XC2,0XDD,0X75,0X81,0X99,0X42,0X4C,0X5E,0X2D,0X32,0X3F,0X27,0X25,
0X31,0X30,0X2B,0X3E,0X1B,0X26,0X46,0X15,0X36,0X62,0X0E,0X3D,0X70,0X21,0X4D,0X81,
0X4F,0X6E,0X9D,0X90,0XA5,0XD3,0X7B,0X90,0XC2,0X36,0X58,0X93,0X0E,0X41,0X86,0X13,
0X43,0X81,0X18,0X39,0X63,0X0A,0X25,0X47,0X2A,0X40,0X5C,0X61,0X74,0X90,0X82,0X96,
0XB2,0X98,0XB1,0XD2,0XA6,0XC4,0XE7,0X9E,0XBD,0XDF,0X9E,0XBD,0XD8,0XB7,0XD4,0XE7,
0X8A,0XB1,0XA6,0X44,0X77,0X51,0X44,0X77,0X4F,0X2E,0X60,0X36,0X32,0X64,0X39,0X2C,
0X5F,0X33,0X37,0X6C,0X40,0X39,0X71,0X46,0X33,0X6F,0X46,0X28,0X67,0X40,0X26,0X66,
0X40,0X2B,0X62,0X3E,0X3E,0X6F,0X4D,0X4A,0X79,0X58,0X43,0X6E,0X51,0X2F,0X57,0X3D,
0X1E,0X45,0X2F,0X1F,0X46,0X33,0X22,0X4A,0X3A,0X1E,0X48,0X39,0X28,0X55,0X47,0X42,
0X70,0X64,0X4A,0X73,0X6A,0X45,0X6E,0X66,0X4E,0X79,0X70,0X62,0X8F,0X86,0X6C,0X9B,
0X92,0X78,0XA8,0X9F,0X82,0XB1,0XA7,0X87,0XB4,0XAB,0X92,0XBC,0XB5,0X9D,0XC7,0XBF,
0XA3,0XCC,0XC4,0XB4,0XDC,0XD1,0XBC,0XE2,0XDC,0XC2,0XE6,0XE8,0XCD,0XEE,0XF9,0XC8,
0XE7,0XFC,0XC2,0XE0,0XFD,0XB0,0XCD,0XED,0XA3,0XC1,0XE2,0X9E,0XBD,0XDE,0X95,0XB4,
0XD5,0XB4,0XCA,0XE1,0X9C,0XA8,0XAD,0X3F,0X5A,0X50,0X1F,0X52,0X38,0X1F,0X66,0X40,
0X0E,0X64,0X39,0X04,0X5F,0X38,0X01,0X57,0X37,0X08,0X51,0X37,0X0B,0X48,0X30,0X0B,
0X3F,0X28,0X0B,0X42,0X23,0X0F,0X48,0X22,0X19,0X49,0X28,0X1E,0X44,0X28,0X1C,0X38,
0X21,0X18,0X2E,0X1B,0X11,0X28,0X19,0X0E,0X2B,0X1B,0X0A,0X33,0X1F,0X05,0X38,0X21,
0X0A,0X45,0X2B,0X0F,0X55,0X3A,0X17,0X62,0X44,0X1F,0X67,0X4A,0XA2,0XCA,0X9E,0XCB,
0XEA,0XC8,0XE2,0XF3,0XE2,0XF0,0XF4,0XF6,0XE5,0XE3,0XF4,0XE1,0XDD,0XF9,0XAC,0XAB,
0XC7,0X6C,0X6E,0X84,0X50,0X51,0X5E,0X32,0X30,0X36,0X24,0X1D,0X20,0X2F,0X25,0X31,
0X28,0X2D,0X46,0X1D,0X36,0X5D,0X0F,0X35,0X66,0X22,0X49,0X7C,0X59,0X77,0XA8,0X97,
0XAE,0XDB,0X77,0X8E,0XBD,0X2C,0X4C,0X85,0X04,0X30,0X75,0X0C,0X30,0X67,0X0D,0X1F,
0X3D,0X0A,0X17,0X2D,0X23,0X2D,0X3F,0X1E,0X26,0X39,0X2F,0X3B,0X52,0X5B,0X6F,0X8A,
0X89,0XA2,0XC2,0X9F,0XBB,0XD9,0XA0,0XBE,0XD6,0XC3,0XDE,0XEF,0XA8,0XCB,0XBE,0X63,
0X8B,0X66,0X47,0X6F,0X4A,0X3B,0X64,0X3D,0X34,0X5C,0X35,0X39,0X63,0X3C,0X3B,0X69,
0X43,0X3B,0X6C,0X49,0X33,0X69,0X48,0X29,0X63,0X45,0X28,0X62,0X47,0X30,0X66,0X4B,
0X39,0X69,0X52,0X3F,0X6D,0X57,0X43,0X6C,0X5C,0X47,0X6C,0X5F,0X4F,0X72,0X69,0X6D,
0X8E,0X8A,0X8D,0XB0,0XAF,0XA2,0XC5,0XC7,0XAD,0XD3,0XD6,0XBB,0XE1,0XE5,0XC1,0XE1,
0XE8,0XBD,0XDD,0XE4,0XC0,0XE2,0XE9,0XC9,0XEC,0XF3,0XCA,0XEE,0XF5,0XC8,0XEE,0XF4,
0XC7,0XEB,0XF2,0XC5,0XE8,0XEF,0XCD,0XEE,0XF5,0XD7,0XF7,0XFE,0XDC,0XFA,0XFF,0XE1,
0XF9,0XFC,0XDD,0XF6,0XFC,0XD6,0XEF,0XFB,0XD1,0XE9,0XFD,0XC9,0XE2,0XFD,0XC0,0XDB,
0XFA,0XB2,0XCE,0XF0,0XA5,0XC1,0XE2,0XA2,0XC1,0XE0,0X9D,0XBC,0XD9,0XB3,0XC9,0XDB,
0X78,0X86,0X84,0X32,0X4F,0X3D,0X1D,0X53,0X32,0X23,0X6E,0X42,0X1B,0X75,0X46,0X0F,
0X6E,0X44,0X03,0X5A,0X37,0X05,0X52,0X36,0X0D,0X4E,0X34,0X0C,0X43,0X29,0X0A,0X40,
0X21,0X0E,0X45,0X22,0X15,0X44,0X25,0X17,0X3C,0X21,0X16,0X30,0X1B,0X15,0X2A,0X18,
0X0E,0X23,0X12,0X09,0X24,0X13,0X07,0X2C,0X18,0X04,0X33,0X1B,0X08,0X3D,0X24,0X0F,
0X4C,0X2F,0X15,0X53,0X35,0X1D,0X58,0X3A,0X7C,0XC0,0X8A,0XAB,0XE2,0XB8,0XC3,0XE6,
0XCF,0XE0,0XEF,0XED,0XEC,0XEE,0XFE,0XE4,0XE0,0XF9,0XE5,0XE1,0XF8,0X8E,0X8D,0XA3,
0X2B,0X2B,0X37,0X27,0X26,0X29,0X28,0X23,0X24,0X2A,0X27,0X31,0X30,0X37,0X50,0X26,
0X3D,0X65,0X1C,0X40,0X70,0X3A,0X5F,0X8F,0X76,0X94,0XBE,0XB0,0XCA,0XEF,0X8B,0XA2,
0XC8,0X3B,0X57,0X88,0X0B,0X2E,0X69,0X0E,0X28,0X56,0X23,0X29,0X3E,0X19,0X1D,0X2A,
0X19,0X1A,0X26,0X1C,0X1D,0X2A,0X28,0X30,0X41,0X20,0X30,0X48,0X64,0X7A,0X96,0XA4,
0XBD,0XD8,0XA2,0XBC,0XD0,0XCF,0XE9,0XF5,0XE1,0XF9,0XF0,0XCC,0XE8,0XCD,0X7D,0X98,
0X7B,0X43,0X5D,0X40,0X39,0X56,0X38,0X37,0X57,0X3B,0X35,0X58,0X3F,0X32,0X5A,0X43,

0X2C, 0X58, 0X44, 0X29, 0X5A, 0X4A, 0X32, 0X64, 0X55, 0X4E, 0X7F, 0X71, 0X71, 0X9E, 0X91, 0X9F, 0XC8, 0XBF, 0XBC, 0XE2, 0XDC, 0XC6, 0XE8, 0XE7, 0XCC, 0XEB, 0XEF, 0XD3, 0XF0, 0XF8, 0XD0, 0XEC, 0XF8, 0XCD, 0XEA, 0XFA, 0XCB, 0XEA, 0XFA, 0XCB, 0XE9, 0XFC, 0XD1, 0XEB, 0XFC, 0XD7, 0XEF, 0XFF, 0XD6, 0XF0, 0XFE, 0XCF, 0XEB, 0XFC, 0XCD, 0XEB, 0XFC, 0XCB, 0XEC, 0XFC, 0XCC, 0XEB, 0XFB, 0XCF, 0XEC, 0XFC, 0XD0, 0XEA, 0XFB, 0XD4, 0XED, 0XFD, 0XDD, 0XF3, 0XFF, 0XE6, 0XF7, 0XFE, 0XE4, 0XF3, 0XFE, 0XDD, 0XEE, 0XFE, 0XCE, 0XE0, 0XF6, 0XC9, 0XDE, 0XFA, 0XC1, 0XD8, 0XF7, 0XB1, 0XCB, 0XEB, 0X9D, 0XBB, 0XD7, 0XA3, 0XC2, 0XDB, 0XA3, 0XC3, 0XDA, 0XA8, 0XC2, 0XCC, 0X5B, 0X70, 0X64, 0X30, 0X55, 0X3A, 0X21, 0X5C, 0X33, 0X25, 0X75, 0X42, 0X29, 0X88, 0X52, 0X2C, 0X90, 0X61, 0X19, 0X7A, 0X52, 0X20, 0X76, 0X54, 0X2B, 0X77, 0X56, 0X23, 0X66, 0X43, 0X14, 0X53, 0X2F, 0X10, 0X4D, 0X29, 0X14, 0X46, 0X27, 0X10, 0X39, 0X1E, 0X0F, 0X2E, 0X18, 0X0F, 0X29, 0X17, 0X0B, 0X24, 0X12, 0X05, 0X25, 0X12, 0X07, 0X30, 0X1A, 0X05, 0X39, 0X1E, 0X0A, 0X44, 0X28, 0X0E, 0X4A, 0X2B, 0X0F, 0X4B, 0X2C, 0X15, 0X4F, 0X30, 0X58, 0XBB, 0X7F, 0X79, 0XCC, 0X9C, 0X9E, 0XD8, 0XBC, 0XCD, 0XED, 0XE6, 0XE4, 0XF1, 0XFD, 0XE4, 0XE9, 0XFE, 0XE0, 0XE3, 0XFB, 0XAB, 0XB2, 0XC8, 0X5B, 0X63, 0X71, 0X31, 0X3A, 0X40, 0X2A, 0X32, 0X38, 0X34, 0X3E, 0X4F, 0X35, 0X48, 0X64, 0X36, 0X52, 0X7A, 0X36, 0X56, 0X85, 0X61, 0X83, 0XAC, 0X9A, 0XB5, 0XD4, 0XC5, 0XDD, 0XF4, 0XA3, 0XB9, 0XD0, 0X5A, 0X72, 0X94, 0X29, 0X44, 0X72, 0X2C, 0X3F, 0X63, 0X27, 0X29, 0X39, 0X2B, 0X2B, 0X37, 0X1B, 0X18, 0X23, 0X1D, 0X1B, 0X28, 0X2E, 0X33, 0X46, 0X4F, 0X5C, 0X76, 0X89, 0X9D, 0XB9, 0X9F, 0XB5, 0XCF, 0XB4, 0XCA, 0XDC, 0XD6, 0XE8, 0XF3, 0XEF, 0XFD, 0XFA, 0XF2, 0XFF, 0XF1, 0XE4, 0XF1, 0XE3, 0XBF, 0XCC, 0XBD, 0X89, 0X99, 0X8A, 0X64, 0X77, 0X69, 0X5E, 0X77, 0X6B, 0X6E, 0X8B, 0X83, 0X85, 0XA6, 0XA2, 0X9C, 0XC2, 0XC0, 0XAF, 0XD6, 0XD5, 0XC3, 0XEC, 0XE8, 0XC9, 0XF2, 0XED, 0XCF, 0XF5, 0XF2, 0XD4, 0XF7, 0XF7, 0XD7, 0XF5, 0XFB, 0XD6, 0XF1, 0XFB, 0XD3, 0XEC, 0XFC, 0XD3, 0XEA, 0XFE, 0XD3, 0XEC, 0XFF, 0XD1, 0XEB, 0XFF, 0XCF, 0XE8, 0XFF, 0XD3, 0XEA, 0XFF, 0XD4, 0XEB, 0XFF, 0XD2, 0XEB, 0XFF, 0XCE, 0XEA, 0XFE, 0XCA, 0XE8, 0XFC, 0XC7, 0XE5, 0XF9, 0XC5, 0XE3, 0XF7, 0XC8, 0XE4, 0XF8, 0XCD, 0XE5, 0XFA, 0XD0, 0XE7, 0XFC, 0XD5, 0XE7, 0XF9, 0XE6, 0XF0, 0XFB, 0XE5, 0XEE, 0XF9, 0XDA, 0XE7, 0XF7, 0XD6, 0XE7, 0XFB, 0XCD, 0XE2, 0XFB, 0XC5, 0XDE, 0XF8, 0XB6, 0XD3, 0XEC, 0XAB, 0XCB, 0XD8, 0XAB, 0XCC, 0XDC, 0XAE, 0XCF, 0XDC, 0X8C, 0XAA, 0XA9, 0X4A, 0X68, 0X53, 0X1F, 0X4B, 0X28, 0X18, 0X57, 0X28, 0X1C, 0X19, 0X70, 0X38, 0X24, 0X86, 0X4E, 0X29, 0X90, 0X5D, 0X2D, 0X94, 0X65, 0X34, 0X95, 0X6B, 0X3F, 0X9B, 0X71, 0X34, 0X8B, 0X5D, 0X1C, 0X69, 0X41, 0X15, 0X58, 0X35, 0X0E, 0X48, 0X29, 0X0B, 0X39, 0X1F, 0X0A, 0X32, 0X1B, 0X08, 0X2A, 0X16, 0X05, 0X28, 0X14, 0X00, 0X29, 0X13, 0X06, 0X39, 0X20, 0X19, 0X56, 0X39, 0X1D, 0X62, 0X43, 0X15, 0X5A, 0X3A, 0X0F, 0X52, 0X32, 0X12, 0X53, 0X33, 0X3A, 0XB6, 0X79, 0X49, 0XB3, 0X81, 0X71, 0XBD, 0X9D, 0XBA, 0XE8, 0XDD, 0XDD, 0XF6, 0XFB, 0XD9, 0XE6, 0XF8, 0XD8, 0XE3, 0XFB, 0XB5, 0XC2, 0XDC, 0X72, 0X82, 0X98, 0X41, 0X53, 0X64, 0X2A, 0X3E, 0X4E, 0X20, 0X35, 0X4C, 0X28, 0X40, 0X60, 0X46, 0X60, 0X86, 0X83, 0X9D, 0XC6, 0XAB, 0XC4, 0XE1, 0XC6, 0XDA, 0XEB, 0XDB, 0XEC, 0XF5, 0XC6, 0XD7, 0XE0, 0X89, 0X9B, 0XB1, 0X55, 0X68, 0X8D, 0X2F, 0X3E, 0X5F, 0X23, 0X2A, 0X3D, 0X2B, 0X2C, 0X3D, 0X23, 0X22, 0X30, 0X29, 0X2A, 0X3A, 0X4A, 0X4A, 0X60, 0X8D, 0X9A, 0XB6, 0XB1, 0XC2, 0XDF, 0XB0, 0XC4, 0XDC, 0XBF, 0XCF, 0XDF, 0XDE, 0XE9, 0XF1, 0XF3, 0XFA, 0XFB, 0XF6, 0XFA, 0XF5, 0XFA, 0XFD, 0XF9, 0XFB, 0XFE, 0XFA, 0XF7, 0XFC, 0XF9, 0XEC, 0XF5, 0XF2, 0XE7, 0XF4, 0XF3, 0XE8, 0XFB, 0XFA, 0XE3, 0XF9, 0XFC, 0XD7, 0XF1, 0XF8, 0XCC, 0XE9, 0XF2, 0XCC, 0XEC, 0XF1, 0XD0, 0XF1, 0XF3, 0XD4, 0XF2, 0XF6, 0XD6, 0XF2, 0XFA, 0XD7, 0XF0, 0XFB, 0XD7, 0XED, 0XFD, 0XD6, 0XEB, 0XFF, 0XD3, 0XE9, 0XFF, 0XD1, 0XE8, 0XFF, 0XCE, 0XE6, 0XFF, 0XCA, 0XE3, 0XFD, 0XCD, 0XE4, 0XFC, 0XCD, 0XE5, 0XFD, 0XCB, 0XE5, 0XFD, 0XC5, 0XE2, 0XF9, 0XBE, 0XDD, 0XF4, 0XBA, 0XD9, 0XF0, 0XBC, 0XDB, 0XF1, 0XC0, 0XDD, 0XF5, 0XC2, 0XDB, 0XF3, 0XC5, 0XDD, 0XF5, 0XCE, 0XE2, 0XF4, 0XE4, 0XEC, 0XF7, 0XE5, 0XEE, 0XF8, 0XDA, 0XE7, 0XF5, 0XD1, 0XE4, 0XF6, 0XC5, 0XDD, 0XF2, 0XC6, 0XE0, 0XF6, 0XC1, 0XDE, 0XF2, 0XC1, 0XE0, 0XEF, 0XBB, 0XDB, 0XE7, 0XAE, 0XCD, 0XD4, 0X80, 0X9F, 0X9B, 0X38, 0X5A, 0X43, 0X17, 0X44, 0X21, 0X11, 0X4E, 0X20, 0X10, 0X5D, 0X26, 0X1C, 0X75, 0X3F, 0X28, 0X8A, 0X58, 0X31, 0X97, 0X67, 0X3D, 0XA4, 0X77, 0X4A, 0XB2, 0X82, 0X3C, 0XA5, 0X70, 0X23, 0X7C, 0X50, 0X18, 0X5D, 0X3C, 0X0B, 0X49, 0X2B, 0X07, 0X3C, 0X21, 0X07, 0X34, 0X1D, 0X05, 0X2E, 0X19, 0X00, 0X2C, 0X17, 0X01, 0X34, 0X1C, 0X0D, 0X4A, 0X2F, 0X24, 0X6D, 0X4E, 0X2D, 0X7D, 0X5C, 0X23, 0X70, 0X4E, 0X19, 0X63, 0X42, 0X19, 0X5F, 0X3E, 0X2A, 0XB5, 0X7B, 0X32, 0XA9, 0X79, 0X57, 0XB0, 0X8F, 0XAD, 0XE4, 0XD6, 0XD4, 0XF1, 0XF3, 0XD4, 0XE5, 0XF5, 0XD8, 0XE7, 0XFF, 0XC2, 0XD4, 0XF1, 0X97, 0XAE, 0XCE, 0X64, 0X7E, 0X9E, 0X3E, 0X57, 0X75, 0X32, 0X48, 0X63, 0X45, 0X57, 0X76, 0X81, 0X90, 0XB0, 0XC5, 0XD1, 0XED, 0XDF, 0XE6, 0XF6, 0XEA, 0XEF, 0XF2, 0XE4, 0XEB, 0XE7, 0XD5, 0XDF, 0XE1, 0X9F, 0XAB, 0XBE, 0X5F, 0X6E, 0X94, 0X1B, 0X2C, 0X52, 0X0D, 0X1C, 0X36, 0X23, 0X2C, 0X43, 0X2E, 0X34, 0X4A, 0X41, 0X48, 0X60, 0X71, 0X7A, 0X96, 0XA7, 0XB4, 0XD5, 0XBE, 0XCC, 0XED, 0XB7, 0XC6, 0XE0, 0XCB, 0XD6, 0XE4, 0XE8, 0XEE, 0XF3, 0XFA, 0XFA, 0XFC, 0XFB,

0XF9,0XFA,0XFB,0XFA,0XFA,0XFE,0XFB,0XFC,0XFD,0XFD,0XFC,0XFA,0XFD,0XFD,0XF5,0XFB,
0XFD,0XEF,0XF8,0XFC,0XE5,0XF3,0XF8,0XDF,0XF0,0XF9,0XDD,0XF2,0XFC,0XDB,0XF2,0XFA,
0XDA,0XF3,0XF9,0XDB,0XF3,0XFB,0XDD,0XF1,0XFD,0XDD,0XEF,0XFE,0XDD,0XEE,0XFF,0XD9,
0XEB,0XFF,0XD5,0XE9,0XFE,0XD1,0XE7,0XFE,0XCC,0XE5,0XFC,0XC6,0XDF,0XF9,0XC6,0XE0,
0XFA,0XC6,0XE1,0XFB,0XC5,0XE1,0XFC,0XC0,0XDF,0XF9,0XBA,0XDB,0XF4,0XB9,0XDB,0XF4,
0XB9,0XDA,0XF3,0XB8,0XD7,0XF0,0XBA,0XD6,0XF1,0XBC,0XD7,0XF1,0XC2,0XD7,0XEE,0XDC,
0XE5,0XF1,0XDD,0XE6,0XF1,0XCE,0XDD,0XED,0XC6,0XDA,0XED,0XC0,0XD9,0XEF,0XBF,0XDB,
0XF2,0XBB,0XD9,0XEE,0XC0,0XDE,0XEE,0XC2,0XDE,0XEC,0XC4,0XDF,0XE9,0XAB,0XC5,0XC5,
0X5D,0X7A,0X6B,0X1B,0X3F,0X27,0X0E,0X3E,0X1A,0X03,0X3E,0X14,0X12,0X58,0X2E,0X1D,
0X6D,0X44,0X23,0X7C,0X56,0X2C,0X90,0X68,0X37,0XA5,0X77,0X2A,0X9D,0X69,0X19,0X78,
0X4D,0X0E,0X54,0X34,0X03,0X3F,0X22,0X04,0X3A,0X22,0X08,0X38,0X21,0X09,0X37,0X21,
0X09,0X3A,0X24,0X0A,0X44,0X2B,0X11,0X57,0X39,0X21,0X73,0X52,0X27,0X80,0X5C,0X23,
0X73,0X51,0X1B,0X64,0X44,0X19,0X5F,0X40,0X1B,0XAC,0X78,0X29,0XA6,0X7B,0X4B,0XA9,
0X88,0XA3,0XDC,0XCC,0XD3,0XF2,0XF0,0XD3,0XE5,0XF1,0XCF,0XE0,0XF8,0XBA,0XD0,0XF2,
0X9D,0XB7,0XE0,0X6E,0X8B,0XBA,0X46,0X61,0X89,0X42,0X52,0X6C,0XA1,0XA7,0XC1,0XEA,
0XE8,0XFB,0XED,0XE5,0XF6,0XF7,0XEA,0XEE,0XF7,0XED,0XE4,0XF2,0XED,0XE2,0XE0,0XE3,
0XE1,0XA0,0XA9,0XBF,0X6F,0X7C,0XAA,0X4E,0X60,0X91,0X1B,0X32,0X56,0X25,0X38,0X57,
0X3D,0X4A,0X69,0X54,0X60,0X80,0X84,0X91,0XB4,0XAD,0XBD,0XE2,0XBD,0XCD,0XEF,0XBA,
0XC6,0XE0,0XD5,0XDA,0XE8,0XF0,0XEF,0XF3,0XF7,0XF2,0XF4,0XF9,0XF4,0XF6,0XFE,0XF9,
0XFB,0XFB,0XF6,0XF7,0XFB,0XF7,0XF7,0XFE,0XFC,0XFB,0XFD,0XFE,0XFF,0XFA,0XFF,0XFF,
0XF3,0XFC,0XFF,0XE7,0XF3,0XF9,0XDE,0XEC,0XF4,0XE2,0XF4,0XFC,0XE3,0XF5,0XFE,0XE3,
0XF3,0XFF,0XE4,0XF2,0XFF,0XE3,0XF1,0XFF,0XE1,0XF0,0XFF,0XDE,0XEE,0XFF,0XD9,0XEB,
0XFD,0XD4,0XE9,0XFB,0XCD,0XE6,0XFA,0XC6,0XE1,0XF8,0XBC,0XD9,0XF5,0XBC,0XD9,0XF7,
0XBA,0XD9,0XF7,0XB8,0XD9,0XF7,0XB3,0XD7,0XF5,0XB5,0XDA,0XF8,0XB2,0XD6,0XF4,0XAC,
0XCD,0XEB,0XAC,0XCB,0XEA,0XB1,0XCE,0XEC,0XB8,0XCF,0XE9,0XD5,0XDF,0XEF,0XD4,0XDE,
0XEE,0XC3,0XD2,0XE6,0XBB,0XCF,0XE7,0XBA,0XD3,0XED,0XBB,0XD8,0XF3,0XB9,0XD6,0XEF,
0XC4,0XDF,0XF5,0XC6,0XDF,0XF1,0XCE,0XE3,0XF3,0XC7,0XDC,0XE5,0XA9,0XBD,0XBB,0X51,
0X68,0X5D,0X12,0X2E,0X1B,0X0E,0X34,0X18,0X0C,0X3B,0X1F,0X0F,0X4B,0X31,0X10,0X5B,
0X40,0X17,0X72,0X53,0X28,0X94,0X6C,0X22,0X9B,0X6B,0X1C,0X7D,0X54,0X10,0X51,0X33,
0X00,0X37,0X1C,0X04,0X36,0X1E,0X06,0X34,0X1D,0X09,0X34,0X1F,0X10,0X42,0X2B,0X0F,
0X4B,0X31,0X0E,0X57,0X38,0X14,0X6A,0X47,0X13,0X71,0X4B,0X13,0X61,0X40,0X11,0X53,
0X36,0X11,0X52,0X34,0X1C,0XAA,0X7B,0X2C,0XA6,0X7C,0X3F,0X9A,0X7B,0X90,0XC9,0XB6,
0XD3,0XF3,0XED,0XDA,0XED,0XF6,0XD7,0XE8,0XFF,0XBD,0XD3,0XF6,0X93,0XAC,0XDB,0X69,
0X86,0XBD,0X57,0X6F,0X9C,0X9B,0XA1,0XB6,0XEE,0XEA,0XFA,0XF5,0XE6,0XF5,0XE5,0XCD,
0XD5,0XD0,0XB5,0XB2,0XCD,0XB8,0XA8,0XBF,0XB2,0XA5,0XBA,0XB6,0XB6,0X93,0X97,0XB2,
0X56,0X5E,0X92,0X50,0X62,0X98,0X20,0X3A,0X65,0X13,0X2C,0X52,0X45,0X5A,0X80,0X74,
0X86,0XAB,0X9E,0XB1,0XD8,0XB0,0XC3,0XEA,0XBA,0XCA,0XEE,0XB7,0XC2,0XDC,0XD7,0XDA,
0XE8,0XF3,0XED,0XF1,0XF9,0XF3,0XF3,0XF9,0XF4,0XF4,0XFC,0XF8,0XF7,0XFF,0XFC,0XFA,
0XFF,0XFC,0XF9,0XFE,0XFC,0XF8,0XFA,0XFA,0XF6,0XF8,0XFB,0XFA,0XF4,0XF9,0XFA,0XEF,
0XF6,0XF9,0XEC,0XF7,0XFA,0XE8,0XF5,0XFC,0XE5,0XF4,0XFE,0XE4,0XF2,0XFE,0XE6,0XF2,
0XFE,0XE6,0XF1,0XFF,0XE4,0XF2,0XFF,0XE0,0XF0,0XFF,0XDB,0XEE,0XFE,0XD6,0XEC,0XFD,
0XD0,0XEA,0XFB,0XC8,0XE5,0XF9,0XBD,0XDB,0XF8,0XB8,0XD7,0XF8,0XB2,0XD4,0XF4,0XB0,
0XD2,0XF3,0XAE,0XD3,0XF4,0XAC,0XD3,0XF3,0XAD,0XD2,0XF2,0XA9,0XCB,0XEC,0X9E,0XBF,
0XE0,0XA8,0XC7,0XE8,0XC0,0XD8,0XF5,0XD7,0XE0,0XF4,0XD6,0XE0,0XF3,0XC2,0XD2,0XE9,
0XB4,0XCA,0XE5,0XB1,0XCA,0XE8,0XB4,0XD1,0XF0,0XB0,0XCC,0XEB,0XB9,0XD2,0XEE,0XBC,
0XD2,0XEB,0XCB,0XDD,0XF4,0XD2,0XE0,0XF2,0XD3,0XDF,0XE9,0XB7,0XC3,0XC6,0X73,0X83,
0X7C,0X26,0X3A,0X2D,0X11,0X2F,0X1E,0X0B,0X36,0X26,0X04,0X42,0X2F,0X05,0X59,0X41,
0X1B,0X84,0X63,0X22,0X9A,0X72,0X26,0X84,0X5F,0X19,0X55,0X38,0X02,0X38,0X1D,0X09,
0X38,0X20,0X0A,0X35,0X1F,0X0B,0X37,0X21,0X0E,0X40,0X29,0X0B,0X45,0X2C,0X02,0X48,
0X29,0X00,0X4E,0X2C,0X00,0X4F,0X2A,0X01,0X43,0X25,0X02,0X38,0X1E,0X03,0X39,0X1F,
0X2A,0XA3,0X72,0X32,0X9C,0X6C,0X48,0X97,0X6E,0X7C,0XAF,0X92,0XD8,0XF5,0XE9,0XDA,
0XEB,0XF2,0XD3,0XE1,0XF8,0XBB,0XCE,0XF1,0X7D,0X94,0XBD,0X5E,0X79,0XA4,0X8C,0XA1,
0XC1,0XEA,0XEE,0XF4,0XFA,0XF8,0XF9,0XE1,0XD8,0XD9,0X90,0X83,0X80,0X96,0X84,0X7E,
0X90,0X7E,0X77,0X80,0X72,0X6F,0X72,0X67,0X6E,0X62,0X5A,0X6E,0X60,0X5B,0X7B,0X69,
0X6D,0X94,0X4C,0X5C,0X86,0X1F,0X32,0X5D,0X38,0X4E,0X7B,0X65,0X80,0XAA,0X91,0XAE,

0XD7, 0XAB, 0XC9, 0XEE, 0XAA, 0XC1, 0XDF, 0XB9, 0XC9, 0XDD, 0XDD, 0XE1, 0XED, 0XF1, 0XED, 0XF1, 0XF5, 0XEF, 0XEF, 0XF9, 0XF2, 0XEF, 0XFC, 0XF5, 0XF2, 0XFD, 0XF8, 0XF7, 0XFE, 0XF9, 0XF8, 0XFE, 0XFA, 0XF9, 0XFD, 0XFC, 0XFB, 0XFA, 0XFA, 0XFB, 0XF9, 0XFA, 0XFE, 0XF5, 0XF6, 0XFC, 0XEB, 0XF1, 0XF6, 0XE2, 0XF2, 0XFA, 0XDD, 0XEF, 0XFC, 0XE0, 0XF0, 0XFD, 0XE6, 0XF2, 0XFF, 0XE8, 0XF2, 0XFF, 0XE3, 0XF0, 0XFF, 0XDE, 0XED, 0XFF, 0XD9, 0XEB, 0XFE, 0XD4, 0XEB, 0XFF, 0XCE, 0XEB, 0XFF, 0XC7, 0XE7, 0XFD, 0XC3, 0XE2, 0XFB, 0XBC, 0XDA, 0XF5, 0XB7, 0XD9, 0XF2, 0XB8, 0XD9, 0XF4, 0XB7, 0XD8, 0XF3, 0XB4, 0XD6, 0XF0, 0XB3, 0XD4, 0XEF, 0XAD, 0XCD, 0XEA, 0XA5, 0XC5, 0XE2, 0XAE, 0XCC, 0XEA, 0XC3, 0XDB, 0XF4, 0XDC, 0XE4, 0XEF, 0XD6, 0XE0, 0XEA, 0XC9, 0XDC, 0XEC, 0XB3, 0XCF, 0XE4, 0XA6, 0XC8, 0XE2, 0X9F, 0XC4, 0XE2, 0X9C, 0XC0, 0XE0, 0XA7, 0XC3, 0XE4, 0XB9, 0XCC, 0XEC, 0XC9, 0XD6, 0XF5, 0XD0, 0XDC, 0XF6, 0XD1, 0XDE, 0XF1, 0XE0, 0XEC, 0XF7, 0XB9, 0XC7, 0XC8, 0X4E, 0X5E, 0X58, 0X11, 0X2B, 0X1D, 0X08, 0X30, 0X1E, 0X00, 0X35, 0X1E, 0X00, 0X50, 0X34, 0X12, 0X7D, 0X5E, 0X21, 0X9B, 0X79, 0X20, 0X85, 0X65, 0X1A, 0X5C, 0X41, 0X0B, 0X3E, 0X26, 0X15, 0X40, 0X29, 0X14, 0X45, 0X2D, 0X0B, 0X45, 0X2C, 0X03, 0X3F, 0X26, 0X08, 0X3A, 0X22, 0X06, 0X31, 0X1A, 0X02, 0X2C, 0X15, 0X00, 0X2E, 0X16, 0X02, 0X2C, 0X16, 0X04, 0X2B, 0X16, 0X05, 0X2B, 0X17, 0X22, 0X96, 0X61, 0X34, 0X98, 0X65, 0X3D, 0X89, 0X5C, 0X68, 0X9B, 0X79, 0XC6, 0XE5, 0XD3, 0XE0, 0XF4, 0XF7, 0XD9, 0XE9, 0XFC, 0XBC, 0XCD, 0XEB, 0X95, 0XA9, 0XCA, 0XA4, 0XB9, 0XD9, 0XDD, 0XED, 0XFE, 0XF1, 0XF4, 0XF5, 0XF1, 0XF0, 0XED, 0XBD, 0XB8, 0XB4, 0X6C, 0X64, 0X60, 0X4E, 0X43, 0X40, 0X42, 0X35, 0X36, 0X3B, 0X2D, 0X32, 0X35, 0X28, 0X33, 0X3F, 0X32, 0X42, 0X5F, 0X53, 0X67, 0X64, 0X61, 0X7F, 0X56, 0X5D, 0X87, 0X34, 0X41, 0X6D, 0X21, 0X38, 0X64, 0X4B, 0X69, 0X93, 0X87, 0XAA, 0XD0, 0XA5, 0XC6, 0XE7, 0XAE, 0XC7, 0XE1, 0XC4, 0XD4, 0XE5, 0XE1, 0XE6, 0XF0, 0XEE, 0XEA, 0XEF, 0XF3, 0XEC, 0XEC, 0XF6, 0XEF, 0XEC, 0XF9, 0XF2, 0XEF, 0XFA, 0XF5, 0XF4, 0XFB, 0XF6, 0XF6, 0XFB, 0XF6, 0XF7, 0XFC, 0XF8, 0XFA, 0XFC, 0XF8, 0XFC, 0XFB, 0XFA, 0XFE, 0XF8, 0XF7, 0XFC, 0XEE, 0XF0, 0XF6, 0XDE, 0XEE, 0XF9, 0XD8, 0XEF, 0XFD, 0XDC, 0XEF, 0XFE, 0XE0, 0XEF, 0XFF, 0XE1, 0XEE, 0XFE, 0XDF, 0XEC, 0XFE, 0XDB, 0XEA, 0XFD, 0XD6, 0XE8, 0XFD, 0XD1, 0XE9, 0XFE, 0XCB, 0XE7, 0XFE, 0XC5, 0XE4, 0XFB, 0XC2, 0XE2, 0XF9, 0XBF, 0XDE, 0XF5, 0XBB, 0XDB, 0XF2, 0XBA, 0XD9, 0XF0, 0XBA, 0XD9, 0XF2, 0XB7, 0XD6, 0XEF, 0XB2, 0XD1, 0XEA, 0XB0, 0XCE, 0XE9, 0XB3, 0XD1, 0XEC, 0XB7, 0XD5, 0XF1, 0XC0, 0XD7, 0XED, 0XD9, 0XE1, 0XE7, 0XD5, 0XDF, 0XE5, 0XC9, 0XDC, 0XE7, 0XB2, 0XCE, 0XCE, 0XA0, 0XC2, 0XDA, 0XA0, 0XC5, 0XE2, 0XA1, 0XC4, 0XE4, 0XAA, 0XC6, 0XE8, 0XBC, 0XCF, 0XF2, 0XCA, 0XD7, 0XF9, 0XCF, 0XDC, 0XF8, 0XCF, 0XDD, 0XF2, 0XD8, 0XE7, 0XF4, 0XD4, 0XE1, 0XE7, 0X9D, 0XAE, 0XAB, 0X26, 0X40, 0X33, 0X07, 0X2F, 0X1B, 0X00, 0X33, 0X19, 0X01, 0X50, 0X33, 0X12, 0X7B, 0X5C, 0X1C, 0X95, 0X75, 0X15, 0X7D, 0X5E, 0X10, 0X5C, 0X3F, 0X10, 0X46, 0X2D, 0X20, 0X4F, 0X37, 0X22, 0X5C, 0X43, 0X19, 0X62, 0X46, 0X19, 0X60, 0X45, 0X19, 0X4C, 0X35, 0X12, 0X31, 0X1D, 0X0A, 0X21, 0X0F, 0X07, 0X22, 0X10, 0X08, 0X23, 0X12, 0X08, 0X24, 0X13, 0X0A, 0X26, 0X15, 0X1B, 0X92, 0X5F, 0X25, 0X8D, 0X5A, 0X42, 0X94, 0X65, 0X6D, 0XA7, 0X82, 0X9F, 0XC5, 0XAE, 0XD0, 0XE9, 0XE6, 0XD8, 0XEA, 0XF7, 0XC0, 0XCF, 0XE5, 0XAE, 0XBC, 0XD7, 0XCC, 0XD9, 0XF3, 0XED, 0XF5, 0XFF, 0XEC, 0XED, 0XF1, 0XE9, 0XE6, 0XE7, 0XAC, 0XA6, 0XA8, 0X61, 0X59, 0X59, 0X29, 0X1F, 0X20, 0X21, 0X16, 0X19, 0X1C, 0X10, 0X17, 0X1B, 0X10, 0X1C, 0X3E, 0X34, 0X42, 0X7B, 0X72, 0X83, 0X6E, 0X6C, 0X88, 0X45, 0X4C, 0X72, 0X42, 0X4F, 0X77, 0X28, 0X3E, 0X65, 0X47, 0X63, 0X88, 0X84, 0XA3, 0XC6, 0XA9, 0XC6, 0XE3, 0XB9, 0XD0, 0XE6, 0XD1, 0XDF, 0XEE, 0XE5, 0XE8, 0XF0, 0XEF, 0XEA, 0XEC, 0XF1, 0XEB, 0XE9, 0XF4, 0XED, 0XEA, 0XF7, 0XF0, 0XED, 0XF8, 0XF3, 0XF2, 0XF9, 0XF4, 0XF4, 0XF9, 0XF3, 0XF4, 0XFB, 0XF6, 0XF8, 0XFA, 0XF7, 0XF9, 0XFD, 0XFA, 0XFD, 0XF8, 0XF7, 0XFB, 0XEF, 0XF0, 0XF5, 0XD7, 0XE6, 0XF2, 0XD3, 0XE9, 0XF9, 0XD8, 0XEB, 0XFC, 0XD9, 0XEA, 0XFB, 0XDA, 0XEA, 0XFB, 0XDB, 0XEA, 0XFD, 0XD7, 0XE8, 0XFB, 0XD3, 0XE6, 0XFB, 0XD0, 0XE7, 0XFD, 0XCD, 0XE6, 0XFC, 0XC7, 0XE3, 0XF9, 0XC3, 0XE0, 0XF6, 0XC3, 0XE1, 0XF6, 0XBD, 0XDC, 0XF2, 0XB9, 0XD7, 0XEE, 0XBB, 0XD7, 0XF0, 0XBC, 0XD9, 0XF2, 0XB8, 0XD6, 0XEF, 0XB8, 0XD4, 0XEF, 0XBB, 0XD6, 0XF1, 0XB9, 0XD5, 0XF0, 0XBB, 0XD2, 0XE9, 0XD1, 0XDD, 0XE4, 0XD3, 0XDE, 0XE6, 0XCA, 0XDB, 0XE7, 0XB6, 0XCC, 0XDE, 0XA5, 0XBE, 0XD5, 0XA3, 0XBF, 0XDA, 0XA3, 0XBF, 0XDD, 0XA6, 0XBF, 0XE0, 0XAF, 0XC5, 0XE5, 0XB7, 0XCC, 0XEC, 0XBD, 0XD1, 0XEC, 0XCB, 0XDC, 0XF0, 0XD5, 0XE4, 0XF3, 0XD4, 0XE2, 0XEA, 0XD0, 0XE0, 0XDE, 0X63, 0X7B, 0X6F, 0X0B, 0X30, 0X1E, 0X00, 0X32, 0X1A, 0X01, 0X50, 0X34, 0X0F, 0X73, 0X54, 0X11, 0X82, 0X63, 0X06, 0X6F, 0X4F, 0X05, 0X59, 0X39, 0X11, 0X52, 0X35, 0X29, 0X64, 0X4A, 0X30, 0X78, 0X5D, 0X2C, 0X84, 0X67, 0X2E, 0X82, 0X65, 0X2B, 0X66, 0X4E, 0X17, 0X3D, 0X29, 0X08, 0X21, 0X0F, 0X03, 0X1E, 0X0B, 0X06, 0X1F, 0X0D, 0X07, 0X20, 0X0E, 0X0A, 0X23, 0X11, 0X20, 0X9B, 0X69, 0X23, 0X90, 0X5D, 0X47, 0XA0, 0X6F, 0X5B, 0X9E, 0X73, 0X6F, 0X9F, 0X81, 0XB5, 0XD6, 0XCA, 0XD5, 0XEC, 0XEF, 0XD0, 0XE0, 0XED, 0XCF, 0XD8, 0XE9, 0XEA, 0XED, 0XFB, 0XF2, 0XF2, 0XFC, 0XE8, 0XE5, 0XEE, 0XE1, 0XDC, 0XE4, 0XAA, 0XA5, 0XAC, 0X57, 0X50, 0X56, 0X2F, 0X27, 0X2E, 0X21, 0X18, 0X1F, 0X1B, 0X13, 0X1C, 0X24, 0X1C, 0X28, 0X4A, 0X42, 0X50,

0X98, 0X91, 0XA1, 0X88, 0X88, 0XA0, 0X48, 0X4F, 0X72, 0X43, 0X50, 0X72, 0X49, 0X5B, 0X7E, 0X66, 0X7F, 0X9F, 0X92, 0XAC, 0XCA, 0XAF, 0XC7, 0XE1, 0XBE, 0XD0, 0XE2, 0XD1, 0XDB, 0XE6, 0XE1, 0XE2, 0XE8, 0XEC, 0XE7, 0XE8, 0XF1, 0XEA, 0XE8, 0XF4, 0XED, 0XEA, 0XF7, 0XF0, 0XED, 0XF7, 0XF2, 0XF1, 0XF9, 0XF4, 0XF3, 0XF9, 0XF4, 0XF3, 0XF8, 0XF3, 0XF4, 0XFA, 0XF5, 0XF7, 0XFB, 0XF8, 0XFA, 0XFA, 0XF7, 0XF9, 0XF1, 0XF1, 0XF5, 0XD2, 0XE1, 0XED, 0XC9, 0XE0, 0XF2, 0XCF, 0XE4, 0XF6, 0XD2, 0XE6, 0XF8, 0XD5, 0XE7, 0XFB, 0XD5, 0XE6, 0XFB, 0XD4, 0XE5, 0XFA, 0XD1, 0XE5, 0XFA, 0XD1, 0XE8, 0XFC, 0XCF, 0XE8, 0XFC, 0XCC, 0XE5, 0XFA, 0XC7, 0XE2, 0XF6, 0XC6, 0XE1, 0XF6, 0XC0, 0XDC, 0XF1, 0XBB, 0XD7, 0XEC, 0XBD, 0XD6, 0XEE, 0XBE, 0XD8, 0XF1, 0XBE, 0XD8, 0XF2, 0XBC, 0XD6, 0XF0, 0XB9, 0XD0, 0XEC, 0XB9, 0XD2, 0XEE, 0XC2, 0XD9, 0XF0, 0XCC, 0XDB, 0XE5, 0XD3, 0XE0, 0XE9, 0XD0, 0XDD, 0XEA, 0XC6, 0XD4, 0XE5, 0XB7, 0XC6, 0XDA, 0XA3, 0XB4, 0XCD, 0XA0, 0XB3, 0XCE, 0XA1, 0XB6, 0XD3, 0XA3, 0XBC, 0XD8, 0XA9, 0XC4, 0XE1, 0XB2, 0XCC, 0XE5, 0XC3, 0XD8, 0XEB, 0XCB, 0XDB, 0XEC, 0XD0, 0XE0, 0XE8, 0XD6, 0XE6, 0XE5, 0X8F, 0XA4, 0X9B, 0X18, 0X3A, 0X2B, 0X05, 0X39, 0X22, 0X08, 0X50, 0X35, 0X09, 0X63, 0X46, 0X04, 0X6D, 0X4D, 0X00, 0X64, 0X43, 0X00, 0X5D, 0X3B, 0X13, 0X5F, 0X40, 0X29, 0X72, 0X54, 0X2B, 0X84, 0X64, 0X27, 0X8F, 0X6E, 0X22, 0X85, 0X66, 0X29, 0X71, 0X57, 0X1C, 0X49, 0X34, 0X0C, 0X28, 0X15, 0X04, 0X1F, 0X0F, 0X09, 0X1F, 0X0E, 0X0D, 0X20, 0X0F, 0X0F, 0X22, 0X11, 0X20, 0X9B, 0X6C, 0X31, 0XA0, 0X6F, 0X45, 0XA3, 0X71, 0X5B, 0XA5, 0X77, 0X7B, 0XB3, 0X8F, 0XAA, 0XD4, 0XBF, 0XCF, 0XEC, 0XE5, 0XDD, 0XEF, 0XF1, 0XE1, 0XE7, 0XED, 0XF2, 0XF0, 0XF6, 0XF6, 0XF0, 0XF6, 0XE2, 0XDF, 0XEB, 0XD4, 0XCF, 0XDB, 0X98, 0X94, 0X9F, 0X4D, 0X46, 0X52, 0X3A, 0X34, 0X3F, 0X29, 0X24, 0X2F, 0X2A, 0X25, 0X31, 0X41, 0X3D, 0X4C, 0X54, 0X51, 0X60, 0X99, 0X98, 0XA7, 0X8D, 0X8F, 0XA5, 0X50, 0X59, 0X77, 0X3F, 0X4B, 0X69, 0X56, 0X66, 0X83, 0X8A, 0X9E, 0XB9, 0XA1, 0XB7, 0XCF, 0XBD, 0XCF, 0XE4, 0XC5, 0XD3, 0XE1, 0XD4, 0XDA, 0XE3, 0XE5, 0XE4, 0XE7, 0XEE, 0XE9, 0XE8, 0XF0, 0XE8, 0XE7, 0XF1, 0XEA, 0XE9, 0XF4, 0XED, 0XEC, 0XF4, 0XEF, 0XEE, 0XF6, 0XF1, 0XF0, 0XF6, 0XF1, 0XF0, 0XF9, 0XF4, 0XF4, 0XF8, 0XF3, 0XF3, 0XFA, 0XF4, 0XF5, 0XFA, 0XF5, 0XF6, 0XF5, 0XF3, 0XF6, 0XD6, 0XE5, 0XF1, 0XC6, 0XDC, 0XEE, 0XC5, 0XDA, 0XEE, 0XCC, 0XE1, 0XF6, 0XCD, 0XE2, 0XF8, 0XCB, 0XDF, 0XF5, 0XCB, 0XE0, 0XF6, 0XCC, 0XE1, 0XF6, 0XD0, 0XE6, 0XF9, 0XD2, 0XE9, 0XFB, 0XD1, 0XE7, 0XFA, 0XCC, 0XE4, 0XF8, 0XC7, 0XE0, 0XF4, 0XC2, 0XDB, 0XEF, 0XC0, 0XD8, 0XEE, 0XBF, 0XD5, 0XEE, 0XBE, 0XD5, 0XED, 0XBC, 0XD4, 0XED, 0XBB, 0XD2, 0XEC, 0XBA, 0XCF, 0XEA, 0XBC, 0XD2, 0XED, 0XC3, 0XD9, 0XEF, 0XC8, 0XDA, 0XE6, 0XD4, 0XE2, 0XED, 0XD5, 0XDF, 0XEC, 0XD5, 0XDB, 0XEB, 0XCD, 0XD1, 0XE3, 0XB6, 0XBC, 0XD1, 0XAF, 0XBB, 0XD0, 0XA8, 0XBB, 0XD2, 0XA3, 0XBC, 0XD5, 0XA2, 0XC2, 0XDB, 0XAC, 0XCA, 0XE2, 0XB9, 0XD2, 0XE6, 0XC0, 0XD3, 0XE4, 0XD2, 0XE1, 0XEB, 0XD7, 0XE6, 0XE8, 0X97, 0XAA, 0XA3, 0X27, 0X45, 0X37, 0X15, 0X42, 0X2E, 0X11, 0X51, 0X38, 0X07, 0X59, 0X3C, 0X05, 0X64, 0X45, 0X00, 0X67, 0X45, 0X00, 0X67, 0X43, 0X15, 0X6E, 0X4C, 0X23, 0X7A, 0X59, 0X19, 0X7F, 0X5D, 0X0E, 0X84, 0X62, 0X0D, 0X7B, 0X5B, 0X1B, 0X6E, 0X54, 0X1A, 0X4B, 0X37, 0X0D, 0X29, 0X19, 0X05, 0X1F, 0X10, 0X0C, 0X20, 0X0F, 0X10, 0X20, 0X0E, 0X12, 0X22, 0X10, 0X35, 0XAA, 0X7D, 0X3D, 0XAB, 0X7B, 0X4A, 0XA9, 0X76, 0X6A, 0XB9, 0X87, 0X76, 0XB7, 0X8D, 0X80, 0XB4, 0X97, 0XA4, 0XC9, 0XB9, 0XD1, 0XE8, 0XE1, 0XE6, 0XEB, 0XE9, 0XF3, 0XED, 0XEA, 0XF5, 0XE9, 0XEB, 0XDD, 0XD8, 0XE5, 0XC6, 0XC2, 0XD1, 0X8A, 0X87, 0X96, 0X53, 0X51, 0X60, 0X46, 0X44, 0X53, 0X30, 0X30, 0X3E, 0X38, 0X38, 0X47, 0X57, 0X58, 0X66, 0X5E, 0X60, 0X6E, 0X8E, 0X8F, 0X9E, 0X83, 0X89, 0X9D, 0X52, 0X5D, 0X77, 0X48, 0X54, 0X6F, 0X70, 0X7E, 0X97, 0XAE, 0XBE, 0XD6, 0XB5, 0XC8, 0XDA, 0XBF, 0XCE, 0XDE, 0XC3, 0XCE, 0XD8, 0XD0, 0XD4, 0XDA, 0XDE, 0XDD, 0XDE, 0XE6, 0XE1, 0XE0, 0XEA, 0XE3, 0XE2, 0XEE, 0XE7, 0XE6, 0XF1, 0XEA, 0XEA, 0XF2, 0XED, 0XEC, 0XF4, 0XEF, 0XEE, 0XF5, 0XEF, 0XEE, 0XFA, 0XF4, 0XF3, 0XF8, 0XF2, 0XF1, 0XF8, 0XF2, 0XF1, 0XFA, 0XF4, 0XF2, 0XF7, 0XF3, 0XF5, 0XE1, 0XEC, 0XF8, 0XC9, 0XDD, 0XEF, 0XC0, 0XD5, 0XEA, 0XC6, 0XDD, 0XF3, 0XC7, 0XDF, 0XF7, 0XC2, 0XDB, 0XF3, 0XC3, 0XDC, 0XF3, 0XC6, 0XDD, 0XF3, 0XCC, 0XE2, 0XF7, 0XD0, 0XE5, 0XF7, 0XD0, 0XE4, 0XF6, 0XCF, 0XE5, 0XFA, 0XC8, 0XE0, 0XF4, 0XC4, 0XDC, 0XF0, 0XC2, 0XD9, 0XEF, 0XC0, 0XD6, 0XEE, 0XBF, 0XD6, 0XEE, 0XBE, 0XD4, 0XEC, 0XBA, 0XCF, 0XEA, 0XBA, 0XCF, 0XEA, 0XBA, 0XCF, 0XEA, 0XB9, 0XCE, 0XE4, 0XC3, 0XD6, 0XE4, 0XCF, 0XDE, 0XEA, 0XD8, 0XDF, 0XEC, 0XDD, 0XDE, 0XEC, 0XDB, 0XD9, 0XE7, 0XD9, 0XD8, 0XE6, 0XD4, 0XD8, 0XE9, 0XC7, 0XD5, 0XE9, 0XB8, 0XCF, 0XE4, 0XAC, 0XCC, 0XE2, 0XAC, 0XCD, 0XE2, 0XB6, 0XCF, 0XE3, 0XBE, 0XD2, 0XE3, 0XC6, 0XD5, 0XE2, 0XD1, 0XDF, 0XE4, 0XA2, 0XB2, 0XAE, 0X38, 0X52, 0X48, 0X1E, 0X48, 0X36, 0X18, 0X54, 0X3C, 0X06, 0X55, 0X38, 0X0E, 0X68, 0X49, 0X04, 0X6F, 0X4A, 0X01, 0X71, 0X4A, 0X14, 0X73, 0X4F, 0X19, 0X77, 0X55, 0X0B, 0X77, 0X54, 0X00, 0X79, 0X55, 0X04, 0X77, 0X56, 0X16, 0X6C, 0X52, 0X15, 0X49, 0X36, 0X08, 0X27, 0X17, 0X04, 0X1D, 0X0F, 0X0B, 0X1E, 0X0E, 0X11, 0X21, 0X0F, 0X12, 0X23, 0X11, 0X4B, 0XB5, 0X8B, 0X4C, 0XB1, 0X83, 0X5E, 0XBA, 0X86, 0X66, 0XB7, 0X83, 0X61, 0XA8, 0X78, 0X63, 0XA1, 0X7B, 0X65, 0X93, 0X7B, 0X9E, 0XBC, 0XAC, 0XDE, 0XE8, 0XDE, 0XF8, 0XF2, 0XE8, 0XEF, 0XE3, 0XE0, 0XD5, 0XD0, 0XDC, 0XB4, 0XB1, 0XC0, 0X82,

0X82,0X92,0X57,0X59,0X68,0X40,0X42,0X54,0X35,0X38,0X4A,0X34,0X38,0X49,0X3C,0X42,0X53,0X50,0X57,0X67,0X71,0X77,0X86,0X7D,0X85,0X98,0X55,0X62,0X79,0X5D,0X6B,0X82,0X9C,0XAA,0XC1,0XC3,0XD1,0XE4,0XC4,0XD2,0XE3,0XC6,0XD2,0XDE,0XC8,0XD1,0XDA,0XCE,0XD2,0XD6,0XD8,0XD8,0XD9,0XE4,0XDF,0XDF,0XE8,0XE3,0XE2,0XEB,0XE6,0XE5,0XEF,0XEA,0XE9,0XF2,0XED,0XEC,0XF6,0XEF,0XEF,0XF8,0XF0,0XF0,0XF9,0XF2,0XEF,0XF8,0XF1,0XEE,0XF7,0XF0,0XED,0XF7,0XF0,0XED,0XF8,0XF2,0XF0,0XE8,0XF1,0XFA,0XCF,0XE0,0XF1,0XC0,0XD4,0XE6,0XC0,0XD8,0XED,0XC1,0XDC,0XF5,0XBD,0XD9,0XF3,0XB7,0XD4,0XED,0XB9,0XD3,0XEC,0XC0,0XD8,0XEE,0XC8,0XDD,0XF1,0XCB,0XDE,0XF3,0XCF,0XE4,0XF9,0XC8,0XE0,0XF4,0XC4,0XDC,0XF0,0XC2,0XDA,0XEE,0XBD,0XD4,0XEA,0XBE,0XD5,0XEB,0XBE,0XD5,0XEB,0XBA,0XD0,0XE9,0XBA,0XCF,0XEA,0XBA,0XCF,0XEA,0XB8,0XCF,0XE5,0XBC,0XCF,0XE0,0XC6,0XD6,0XE3,0XD7,0XDE,0XEA,0XDC,0XDC,0XE6,0XE2,0XDC,0XE6,0XE5,0XDF,0XE9,0XE3,0XE2,0XED,0XDC,0XE4,0XF2,0XCC,0XDF,0XF0,0XBA,0XD5,0XE9,0XB2,0XCF,0XE4,0XB6,0XCF,0XE4,0XBA,0XCF,0XE2,0XC3,0XD1,0XE0,0XD3,0XE0,0XE7,0XB6,0XC6,0XC5,0X47,0X61,0X58,0X1C,0X45,0X34,0X19,0X54,0X3C,0X08,0X54,0X35,0X19,0X73,0X50,0X0D,0X79,0X51,0X03,0X76,0X4B,0X09,0X69,0X44,0X05,0X62,0X3F,0X01,0X69,0X45,0X00,0X75,0X4F,0X09,0X77,0X57,0X1A,0X6A,0X51,0X15,0X48,0X34,0X06,0X25,0X16,0X02,0X1C,0X0F,0X0A,0X21,0X10,0X15,0X28,0X15,0X16,0X29,0X16,0X5B,0XB5,0X90,0X63,0XBB,0X8F,0X63,0XB8,0X85,0X55,0XA6,0X6F,0X51,0X9E,0X6A,0X4C,0X91,0X66,0X4A,0X83,0X64,0X6A,0X8F,0X7B,0XCA,0XDB,0XCD,0XF9,0XFA,0XEE,0XFA,0XF2,0XEB,0XEA,0XE7,0XEF,0XD3,0XD3,0XDE,0XB5,0XB7,0XC5,0X97,0X9D,0XAC,0X84,0X8B,0X9D,0X7C,0X84,0X96,0X67,0X6F,0X82,0X62,0X6B,0X7C,0X79,0X82,0X93,0X94,0X9D,0XAC,0X9D,0XA9,0XBB,0X94,0XA2,0XB9,0XA2,0XB1,0XC6,0XBC,0XCA,0XDD,0XBE,0XCC,0XDD,0XBC,0XC7,0XD5,0XC1,0XCA,0XD6,0XC6,0XCD,0XD5,0XCD,0XD1,0XD6,0XD7,0XD8,0XD9,0XDE,0XDE,0XDE,0XE6,0XE2,0XE3,0XEB,0XE5,0XE6,0XEF,0XEA,0XE9,0XF3,0XEE,0XED,0XF6,0XF0,0XEE,0XF8,0XF1,0XEE,0XF8,0XEF,0XEC,0XF7,0XEE,0XEA,0XF8,0XEE,0XEA,0XF8,0XEF,0XEA,0XF8,0XF0,0XEC,0XEC,0XF1,0XF7,0XD8,0XE5,0XF2,0XC5,0XD6,0XE6,0XBA,0XD2,0XE7,0XB8,0XD5,0XEE,0XBA,0XD8,0XF5,0XB7,0XD6,0XF3,0XB1,0XCE,0XEC,0XB5,0XCE,0XE8,0XBD,0XD3,0XEC,0XC2,0XD8,0XED,0XC5,0XDD,0XF1,0XBD,0XD5,0XE7,0XBD,0XD5,0XE8,0XC4,0XDC,0XF0,0XC3,0XDB,0XEF,0XC1,0XD8,0XEE,0XBD,0XD4,0XEA,0XB8,0XCE,0XE7,0XBC,0XD2,0XEB,0XBB,0XD1,0XEA,0XB3,0XCA,0XE1,0XB9,0XCB,0XDF,0XC2,0XD1,0XE1,0XD4,0XDC,0XE7,0XDB,0XDC,0XE4,0XE0,0XDB,0XE0,0XE6,0XE1,0XE4,0XE6,0XE4,0XE9,0XE0,0XE4,0XEE,0XD5,0XDF,0XEE,0XC5,0XD6,0XEA,0XB8,0XD0,0XE5,0XB5,0XD0,0XE5,0XBC,0XD3,0XE8,0XBE,0XCF,0XE0,0XCB,0XDA,0XE3,0XC4,0XD5,0XD7,0X64,0X7C,0X77,0X24,0X4C,0X3E,0X18,0X53,0X3A,0X0D,0X5A,0X3A,0X19,0X74,0X50,0X12,0X7F,0X55,0X0B,0X7C,0X50,0X0A,0X66,0X3F,0X00,0X54,0X31,0X00,0X5C,0X39,0X04,0X6E,0X4B,0X12,0X74,0X56,0X18,0X5E,0X47,0X0D,0X39,0X29,0X01,0X1E,0X10,0X00,0X1B,0X0F,0X07,0X23,0X12,0X10,0X2E,0X17,0X11,0X2F,0X18,0X66,0XAE,0X8C,0X65,0XAE,0X85,0X5C,0XA7,0X76,0X47,0X95,0X5D,0X3E,0X8D,0X56,0X35,0X81,0X52,0X3D,0X80,0X5C,0X4B,0X7B,0X63,0XAA,0XC3,0XB3,0XEF,0XF5,0XE9,0XFE,0XFE,0XF5,0XEC,0XEC,0XEF,0XE2,0XE4,0XEA,0XD7,0XDC,0XE6,0XCB,0XD2,0XE0,0XBE,0XC8,0XDA,0XB8,0XC5,0XD7,0XAC,0XB9,0XCC,0XAD,0XBB,0XCD,0XB5,0XC3,0XD4,0XB6,0XC2,0XD3,0XB4,0XC3,0XD6,0XB3,0XC4,0XDA,0XB3,0XC5,0XD9,0XB6,0XC5,0XD8,0XB5,0XC1,0XD2,0XB8,0XC2,0XD0,0XBE,0XC7,0XD1,0XC5,0XCB,0XD3,0XCE,0XD2,0XD7,0XD5,0XD8,0XDC,0XDA,0XDD,0XE0,0XE3,0XE2,0XE2,0XEA,0XE5,0XE5,0XEE,0XE9,0XE8,0XF2,0XED,0XEC,0XF6,0XF0,0XEE,0XF7,0XF0,0XED,0XFA,0XF1,0XED,0XFC,0XF1,0XED,0XFD,0XF2,0XEC,0XFE,0XF3,0XEC,0XFC,0XF3,0XED,0XF0,0XF1,0XF4,0XDF,0XE7,0XF0,0XC9,0XD8,0XE5,0XB7,0XCD,0XE1,0XB0,0XCD,0XE7,0XAF,0XD1,0XEF,0XAA,0XCD,0XED,0XA5,0XC5,0XE5,0XA9,0XC5,0XE3,0XB5,0XCE,0XE9,0XBD,0XD4,0XED,0XC4,0XDC,0XF0,0XC1,0XDA,0XEB,0XBE,0XD8,0XE9,0XBD,0XD7,0XE9,0XBE,0XD7,0XEB,0XC1,0XDA,0XEE,0XC0,0XD9,0XED,0XBA,0XD2,0XE8,0XB6,0XCE,0XE6,0XB8,0XD0,0XE8,0XBB,0XD1,0XEA,0XB8,0XC8,0XDF,0XBF,0XCD,0XDF,0XD3,0XDC,0XE7,0XDC,0XE1,0XE5,0XE1,0XDF,0XDF,0XE3,0XDF,0XDF,0XE2,0XE1,0XE1,0XE0,0XE0,0XE6,0XD9,0XDC,0XE9,0XCD,0XD4,0XE6,0XBF,0XCF,0XE4,0XB3,0XCC,0XE2,0XB9,0XCF,0XE4,0XB8,0XC9,0XDA,0XC2,0XD2,0XDD,0XCD,0XDF,0XE2,0XA7,0XC1,0XBC,0X3F,0X6A,0X5B,0X0E,0X4B,0X33,0X0D,0X5D,0X3D,0X15,0X72,0X4D,0X0F,0X7B,0X51,0X0E,0X7B,0X4F,0X10,0X66,0X3F,0X06,0X4F,0X2D,0X00,0X50,0X2E,0X04,0X5D,0X3C,0X10,0X62,0X47,0X0E,0X47,0X34,0X05,0X29,0X1A,0X00,0X1A,0X0F,0X02,0X20,0X14,0X07,0X2C,0X18,0X10,0X37,0X1E,0X13,0X3A,0X21,0X61,0X9B,0X7B,0X56,0X93,0X6B,0X49,0X8C,0X5A,0X37,0X81,0X48,0X2A,0X79,0X40,0X29,0X79,0X48,0X2D,0X76,

0X51,0X32,0X6A,0X4F,0X82,0XA3,0X92,0XE3,0XEF,0XE1,0XF9,0XFA,0XF0,0XF1,0XF4,0XF3,
0XE5,0XEB,0XED,0XDB,0XE3,0XE9,0XCF,0XD9,0XE5,0XBE,0XCD,0XDC,0XB4,0XC3,0XD6,0XAB,
0XBA,0XCD,0XAD,0XBC,0XCF,0XB2,0XC0,0XD2,0XB0,0XBD,0XCF,0XAE,0XBF,0XD1,0XAF,0XC4,
0XDA,0XB1,0XC6,0XDA,0XB5,0XC5,0XD8,0XB8,0XC5,0XD5,0XBC,0XC5,0XD3,0XBF,0XC6,0XD0,
0XC5,0XCA,0XD2,0XCC,0XCF,0XD7,0XD2,0XD6,0XDA,0XD8,0XDB,0XDF,0XE0,0XDF,0XE2,0XE8,
0XE3,0XE4,0XEC,0XE7,0XE7,0XF0,0XEB,0XEA,0XF3,0XED,0XEB,0XF5,0XEE,0XEB,0XF9,0XF0,
0XEC,0XFD,0XF3,0XEC,0XFF,0XF5,0XEE,0XFF,0XF5,0XEE,0XFE,0XF5,0XEE,0XF2,0XEF,0XEE,
0XE0,0XE5,0XEB,0XCA,0XD6,0XE2,0XB5,0XCB,0XDD,0XA9,0XC7,0XE0,0XA5,0XCA,0XE8,0XA8,
0XCE,0XEE,0XA3,0XC7,0XE9,0XA9,0XC7,0XE7,0XAF,0XCA,0XE9,0XB6,0XCD,0XE9,0XB5,0XCF,
0XE3,0XB9,0XD3,0XE4,0XBB,0XD5,0XE6,0XBA,0XD5,0XE6,0XBB,0XD5,0XE9,0XB9,0XD2,0XE6,
0XB4,0XCE,0XE2,0XAF,0XC7,0XDD,0XA9,0XC2,0XD9,0XAA,0XC3,0XDA,0XAF,0XC6,0XDE,0XB1,
0XC1,0XD8,0XB7,0XC5,0XD8,0XCD,0XD9,0XE3,0XD9,0XE2,0XE2,0XDD,0XE0,0XDD,0XE1,0XE1,
0XDD,0XE4,0XE3,0XDF,0XE4,0XE2,0XE5,0XDF,0XDD,0XE8,0XD9,0XD5,0XE8,0XC8,0XCF,0XE6,
0XAB,0XC4,0XDB,0XAA,0XC0,0XD6,0XAE,0XC0,0XD1,0XB9,0XC9,0XD5,0XC9,0XDB,0XE0,0XC4,
0XE0,0XDC,0X6C,0X99,0X8A,0X1D,0X5C,0X44,0X0B,0X5F,0X3D,0X11,0X72,0X4A,0X11,0X7E,
0X53,0X13,0X7E,0X52,0X20,0X6F,0X4A,0X1D,0X5B,0X3B,0X11,0X52,0X33,0X0A,0X54,0X35,
0X05,0X49,0X2F,0X03,0X30,0X1F,0X00,0X1C,0X0E,0X02,0X19,0X10,0X05,0X24,0X19,0X07,
0X31,0X1D,0X0C,0X3C,0X22,0X0E,0X3E,0X24,0X47,0X7E,0X5B,0X3E,0X78,0X4E,0X37,0X76,
0X45,0X2D,0X73,0X3E,0X25,0X73,0X3E,0X23,0X75,0X46,0X26,0X73,0X4D,0X2F,0X6B,0X50,
0X51,0X75,0X64,0XC7,0XD5,0XC7,0XFA,0XFC,0XF2,0XF6,0XFA,0XF6,0XE8,0XED,0XED,0XDC,
0XE5,0XEA,0XD1,0XDB,0XE5,0XBF,0XCE,0XDC,0XB7,0XC7,0XD9,0XA6,0XB7,0XCA,0XA7,0XB8,
0XCB,0XB2,0XC2,0XD4,0XB0,0XBF,0XD1,0XAD,0XBE,0XD1,0XB1,0XC6,0XDC,0XB0,0XC5,0XD9,
0XAB,0XBD,0XCE,0XAF,0XBD,0XCD,0XB9,0XC4,0XCF,0XBD,0XC5,0XCF,0XC2,0XC8,0XCF,0XC7,
0XCB,0XD2,0XCD,0XD1,0XD6,0XD3,0XD7,0XDC,0XDD,0XDD,0XE0,0XE5,0XE0,0XE1,0XEA,0XE4,
0XE5,0XEE,0XE9,0XE9,0XF1,0XEC,0XEB,0XF3,0XEC,0XE9,0XF5,0XEC,0XE9,0XFA,0XEF,0XEA,
0XFC,0XF2,0XEB,0XFD,0XF2,0XEB,0XFC,0XF1,0XEB,0XF5,0XF0,0XEF,0XE5,0XE8,0XEB,0XD2,
0XDB,0XE5,0XC1,0XD2,0XE2,0XB0,0XCA,0XE2,0XA4,0XC4,0XE1,0X9E,0XC2,0XE2,0X9D,0XC0,
0XE2,0XA2,0XC2,0XE3,0XA7,0XC2,0XE3,0XA8,0XC1,0XE0,0XB2,0XCF,0XE3,0XAF,0XCC,0XDE,
0XB0,0XCD,0XE0,0XB1,0XCF,0XE1,0XAA,0XC7,0XDA,0XA8,0XC5,0XD8,0XA6,0XC3,0XD7,0XA3,
0XBF,0XD6,0XA7,0XC1,0XD8,0XA2,0XBC,0XD5,0X9D,0XB5,0XCD,0XA6,0XB6,0XCD,0XAD,0XBB,
0XCD,0XC4,0XD1,0XDB,0XD2,0XDC,0XDD,0XD6,0XDC,0XD9,0XDD,0XE1,0XDB,0XE3,0XE2,0XDF,
0XE5,0XE1,0XE3,0XE4,0XDD,0XE6,0XDF,0XD6,0XE6,0XCE,0XD3,0XE6,0XAA,0XC2,0XD8,0XA3,
0XBA,0XCE,0XAE,0XBF,0XD1,0XBA,0XC8,0XD5,0XC6,0XD8,0XDD,0XCC,0XE6,0XE3,0XAC,0XD5,
0XC8,0X4D,0X88,0X72,0X12,0X5E,0X3F,0X0C,0X66,0X40,0X16,0X79,0X50,0X18,0X7A,0X4D,
0X23,0X6D,0X47,0X24,0X5D,0X3E,0X18,0X51,0X34,0X0E,0X4B,0X2E,0X04,0X37,0X21,0X01,
0X22,0X12,0X01,0X15,0X09,0X05,0X18,0X0F,0X05,0X23,0X19,0X06,0X33,0X1D,0X0B,0X40,
0X24,0X0D,0X43,0X27,0X2A,0X76,0X45,0X2F,0X76,0X46,0X31,0X74,0X43,0X29,0X6F,0X40,
0X20,0X6B,0X3E,0X1B,0X6B,0X43,0X25,0X73,0X51,0X27,0X65,0X4A,0X41,0X62,0X51,0XC2,
0XC9,0XBD,0XFF,0XFF,0XF9,0XF7,0XF7,0XF7,0XEB,0XEE,0XF3,0XE1,0XE5,0XEE,0XD4,0XDC,
0XE9,0XC9,0XD4,0XE3,0XBC,0XC9,0XDB,0XB0,0XC0,0XD1,0XAA,0XBA,0XCB,0XB1,0XBF,0XD0,
0XB5,0XC4,0XD4,0XB2,0XC3,0XD3,0XB0,0XC1,0XD4,0XB1,0XC2,0XD4,0XA8,0XBA,0XCB,0XA6,
0XB7,0XC6,0XB0,0XBF,0XCA,0XB4,0XC0,0XC9,0XBB,0XC4,0XCB,0XC4,0XC9,0XD0,0XCD,0XD1,
0XD6,0XD7,0XD7,0XDB,0XDC,0XDB,0XDE,0XE3,0XE0,0XE2,0XE8,0XE6,0XE7,0XEC,0XE9,0XEA,
0XEF,0XEA,0XEB,0XF2,0XED,0XEC,0XF1,0XEA,0XE9,0XF5,0XEB,0XE9,0XF7,0XED,0XEA,0XF9,
0XEE,0XEA,0XF8,0XED,0XEA,0XF3,0XED,0XEC,0XED,0XEA,0XEC,0XE2,0XE3,0XE9,0XD2,0XD9,
0XE4,0XC2,0XCF,0XDF,0XB7,0XCA,0XDF,0XAB,0XC4,0XDD,0X9F,0XBA,0XD7,0X99,0XB6,0XD5,
0X9D,0XBA,0XDA,0XA0,0XBE,0XDE,0X9E,0XBC,0XD7,0XB5,0XD4,0XEB,0XA7,0XC6,0XDD,0XA8,
0XC7,0XDC,0XAC,0XCC,0XDF,0X9F,0XBF,0XD3,0X9C,0XBC,0XD1,0X97,0XB4,0XCF,0X99,0XB4,
0XD2,0X9E,0XB9,0XDA,0X9A,0XB3,0XD1,0XA3,0XB7,0XCA,0XA6,0XB7,0XC4,0XBC,0XCC,0XD4,
0XCE,0XD9,0XDE,0XD2,0XDA,0XDA,0XD5,0XD9,0XD7,0XDA,0XDA,0XD9,0XE0,0XDE,0XDE,0XE2,
0XDF,0XE0,0XD9,0XD6,0XD9,0XC5,0XCB,0XD5,0XAE,0XC3,0XD3,0XA8,0XBD,0XCD,0XAF,0XBF,
0XCC,0XC1,0XCF,0XD7,0XD3,0XE0,0XE4,0XD1,0XE2,0XE0,0XD9,0XF1,0XE9,0XA9,0XCA,0XBB,
0X48,0X75,0X61,0X2B,0X5F,0X48,0X29,0X66,0X46,0X14,0X59,0X34,0X1C,0X60,0X3C,0X12,
0X53,0X33,0X13,0X4D,0X2F,0X11,0X3E,0X24,0X0F,0X2A,0X17,0X04,0X11,0X04,0X05,0X0F,
0X05,0X08,0X18,0X0F,0X04,0X1F,0X15,0X01,0X2F,0X17,0X09,0X45,0X25,0X16,0X55,0X34,

0X23,0X72,0X3F,0X29,0X72,0X41,0X2D,0X70,0X42,0X2A,0X6E,0X42,0X22,0X6B,0X41,0X19,
0X68,0X42,0X1C,0X6A,0X49,0X22,0X60,0X45,0X58,0X79,0X68,0XDD,0XE4,0XDA,0XFF,0XFD,
0XFA,0XF7,0XF6,0XF8,0XED,0XF0,0XF5,0XE4,0XE8,0XF0,0XD9,0XE0,0XED,0XCF,0XDA,0XE9,
0XC2,0XCE,0XE0,0XB8,0XC6,0XD8,0XAF,0XBE,0XD0,0XB0,0XBF,0XCF,0XB5,0XC5,0XD3,0XB4,
0XC3,0XD4,0XAD,0XBD,0XCE,0XAD,0XBE,0XCF,0XA5,0XB7,0XC7,0XA4,0XB7,0XC4,0XAE,0XBE,
0XCB,0XB7,0XC5,0XCE,0XBE,0XC8,0XD0,0XC4,0XCA,0XD1,0XC9,0XCC,0XD1,0XD3,0XD1,0XD7,
0XDB,0XDA,0XDD,0XE1,0XE0,0XE2,0XE5,0XE4,0XE6,0XE8,0XE5,0XE6,0XE9,0XE5,0XE6,0XEC,
0XE6,0XE7,0XED,0XE6,0XE7,0XF1,0XE8,0XE8,0XF6,0XEC,0XEB,0XFA,0XF1,0XEE,0XFD,0XF3,
0XF0,0XF9,0XF1,0XF0,0XF3,0XED,0XEE,0XE9,0XE6,0XEA,0XDC,0XDD,0XE6,0XD0,0XD7,0XE4,
0XC5,0XD2,0XE4,0XB9,0XCD,0XE2,0XAE,0XC5,0XDF,0XA4,0XBF,0XDC,0X9E,0XBC,0XDA,0X9C,
0XBC,0XDA,0XA4,0XC3,0XDC,0XA9,0XC6,0XDE,0XAC,0XCB,0XE2,0XA1,0XC1,0XD7,0XA0,0XBF,
0XD5,0XA0,0XBF,0XD7,0X9D,0XBC,0XD6,0X97,0XB4,0XD1,0X8E,0XAB,0XCA,0X92,0XAE,0XCF,
0X98,0XB3,0XCF,0XA0,0XB6,0XC8,0XAA,0XBB,0XC8,0XBB,0XCA,0XD4,0XC7,0XD1,0XD8,0XCE,
0XD6,0XD9,0XD8,0XDD,0XDC,0XDD,0XDE,0XDE,0XE2,0XE2,0XE2,0XE6,0XE4,0XE4,0XE1,0XDF,
0XDF,0XD4,0XDA,0XDF,0XC8,0XD7,0XE3,0XC6,0XD3,0XDF,0XCB,0XD4,0XDE,0XD6,0XDC,0XE3,
0XE1,0XE5,0XE8,0XE8,0XEE,0XED,0XE4,0XED,0XE9,0XE5,0XF5,0XEA,0XC8,0XE0,0XD1,0X75,
0X92,0X81,0X29,0X50,0X37,0X17,0X49,0X29,0X14,0X4D,0X2B,0X0D,0X4A,0X2B,0X19,0X51,
0X33,0X11,0X3A,0X21,0X06,0X1E,0X0B,0X04,0X10,0X01,0X02,0X0E,0X01,0X00,0X11,0X04,
0X00,0X19,0X0B,0X00,0X2D,0X13,0X06,0X4C,0X2A,0X19,0X66,0X43,0X23,0X6F,0X3C,0X27,
0X6E,0X3E,0X2D,0X6E,0X41,0X2C,0X6D,0X43,0X23,0X6A,0X42,0X18,0X66,0X41,0X18,0X66,
0X46,0X1F,0X5E,0X43,0X5E,0X83,0X6F,0XE7,0XF0,0XE5,0XFB,0XF6,0XEF,0XF8,0XF7,0XF9,
0XEF,0XEF,0XF5,0XE4,0XE8,0XF0,0XD8,0XE1,0XEB,0XCE,0XD8,0XE6,0XC6,0XD3,0XE2,0XBE,
0XCC,0XDE,0XB4,0XC3,0XD3,0XB0,0XBF,0XCF,0XB4,0XC4,0XD1,0XB5,0XC5,0XD3,0XAD,0XBD,
0XCE,0XAD,0XBD,0XCE,0XA6,0XB9,0XC8,0XA8,0XBA,0XC9,0XB1,0XC2,0XCE,0XB4,0XC3,0XCC,
0XBD,0XC7,0XD0,0XC3,0XCA,0XD1,0XC8,0XCB,0XD1,0XD1,0XD1,0XD8,0XDA,0XD9,0XDD,0XDD,
0XDD,0XDF,0XE1,0XE0,0XE2,0XE2,0XE2,0XE3,0XDF,0XE1,0XE4,0XE0,0XE1,0XEB,0XE5,
0XE6,0XEE,0XE6,0XE6,0XF0,0XE8,0XE7,0XF3,0XEA,0XE8,0XF7,0XED,0XEB,0XFB,0XF1,0XF0,
0XF5,0XED,0XEE,0XEA,0XE7,0XE8,0XE1,0XE0,0XE6,0XD7,0XDC,0XE6,0XCE,0XD9,0XE7,0XC2,
0XD2,0XE4,0XB6,0XCB,0XE1,0XA7,0XC1,0XDB,0X9F,0XBB,0XD9,0X9E,0XBC,0XD7,0XA6,0XC2,
0XD8,0XA5,0XC2,0XD6,0XA9,0XC5,0XDD,0X9E,0XBA,0XD4,0X9A,0XB6,0XD3,0X9D,0XB9,0XD7,
0X99,0XB6,0XD4,0X95,0XB3,0XD0,0X8F,0XAD,0XCA,0X8F,0XAD,0XC9,0X93,0XB2,0XCA,0XA2,
0XB8,0XCB,0XB1,0XC2,0XD2,0XBC,0XCB,0XD6,0XC2,0XCC,0XD4,0XCD,0XD5,0XD9,0XD7,0XDB,
0XDD,0XDC,0XDE,0XDE,0XE1,0XE1,0XE1,0XE6,0XE4,0XE4,0XE5,0XE4,0XE4,0XDF,0XE0,0XE5,
0XD7,0XDB,0XE5,0XDB,0XDE,0XE7,0XE2,0XE0,0XE9,0XEB,0XE5,0XEA,0XEF,0XE7,0XEB,0XEC,
0XE6,0XE7,0XEE,0XEA,0XE8,0XF0,0XF3,0XED,0XEC,0XF4,0XEA,0XB2,0XC1,0XB5,0X57,0X6E,
0X59,0X2B,0X4A,0X2D,0X15,0X3F,0X23,0X15,0X47,0X2A,0X19,0X4B,0X30,0X12,0X3D,0X24,
0X09,0X29,0X13,0X01,0X1B,0X06,0X01,0X1A,0X07,0X01,0X1E,0X0B,0X00,0X24,0X10,0X00,
0X31,0X14,0X03,0X51,0X2E,0X16,0X6F,0X4B,0X29,0X74,0X41,0X2A,0X70,0X40,0X2F,0X6E,
0X42,0X30,0X6E,0X45,0X24,0X69,0X42,0X14,0X62,0X3D,0X15,0X64,0X42,0X23,0X64,0X48,
0X5A,0X84,0X6E,0XE4,0XF1,0XE4,0XFA,0XF9,0XF1,0XF8,0XF7,0XF8,0XED,0XEE,0XF3,0XE1,
0XE6,0XED,0XD4,0XDD,0XE7,0XCA,0XD4,0XE1,0XC7,0XD4,0XE3,0XC1,0XCF,0XDF,0XB8,0XC7,
0XD7,0XB4,0XC3,0XD1,0XB6,0XC3,0XD1,0XB4,0XC2,0XD0,0XAD,0XBC,0XCD,0XAA,0XBA,0XCB,
0XA5,0XB7,0XC7,0XA7,0XBA,0XC8,0XAF,0XC1,0XCD,0XB5,0XC5,0XCF,0XBC,0XC8,0XD1,0XC3,
0XCB,0XD3,0XC8,0XCC,0XD4,0XCA,0XCC,0XD4,0XD0,0XD1,0XD7,0XD7,0XD8,0XDC,0XDB,0XDC,
0XE0,0XDE,0XDD,0XDF,0XE0,0XDE,0XE0,0XE2,0XDF,0XE1,0XE9,0XE3,0XE4,0XEB,0XE4,0XE5,
0XEE,0XE6,0XE6,0XF2,0XEA,0XEA,0XF9,0XEF,0XEF,0XF9,0XF0,0XED,0XF5,0XEC,0XEB,0XEC,
0XE6,0XE6,0XE3,0XE0,0XE2,0XDA,0XDD,0XE2,0XD1,0XD9,0XE3,0XC6,0XD4,0XE2,0XB7,0XCA,
0XDE,0XA4,0XBD,0XD4,0X9A,0XB6,0XD0,0X9C,0XBA,0XD3,0XA1,0XBC,0XCE,0XAB,0XC5,0XD8,
0XA2,0XBC,0XD4,0XA0,0XB7,0XD6,0X9B,0XB4,0XD7,0X93,0XAD,0XD0,0X8E,0XA9,0XCC,0X8D,
0XAA,0XC9,0X8C,0XAE,0XC7,0X8A,0XAD,0XC4,0X8F,0XAF,0XC3,0X9E,0XB4,0XC5,0XAF,0XBF,
0XD0,0XB8,0XC7,0XD3,0XBB,0XC5,0XCE,0XC8,0XCF,0XD5,0XD5,0XD9,0XDC,0XDB,0XDE,0XDF,
0XE1,0XE3,0XE4,0XE5,0XE4,0XE6,0XE5,0XE6,0XE7,0XE5,0XE6,0XE9,0XE6,0XE2,0XE8,0XEA,
0XE4,0XE9,0XEE,0XE5,0XE8,0XF1,0XE4,0XE7,0XF3,0XE3,0XE6,0XF6,0XE8,0XE8,0XF9,0XEC,
0XEB,0XF4,0XEB,0XE8,0XF6,0XF2,0XED,0XF2,0XF2,0XEB,0XD6,0XDB,0XCC,0X96,0XA4,0X8F,
0X33,0X4D,0X36,0X22,0X4A,0X31,0X28,0X57,0X3D,0X21,0X53,0X38,0X13,0X40,0X26,0X01,

0X2D,0X13,0X02,0X2E,0X15,0X04,0X33,0X19,0X00,0X30,0X14,0X00,0X3F,0X1E,0X02,0X58,
0X35,0X10,0X6F,0X4B,0X31,0X7B,0X4B,0X31,0X74,0X46,0X33,0X71,0X46,0X32,0X70,0X48,
0X24,0X68,0X42,0X15,0X64,0X3E,0X14,0X66,0X43,0X2E,0X75,0X57,0X61,0X91,0X79,0XDD,
0XF3,0XE1,0XF9,0XFD,0XF3,0XF6,0XF5,0XF6,0XEC,0XED,0XF1,0XE2,0XE5,0XEC,0XD7,0XDD,
0XE7,0XCC,0XD5,0XE2,0XCA,0XD6,0XE6,0XC3,0XD0,0XE0,0XBF,0XCC,0XDB,0XBE,0XCB,0XD9,
0XB9,0XC7,0XD3,0XB3,0XC1,0XCF,0XB0,0XBE,0XD0,0XAA,0XBA,0XCA,0XA5,0XB8,0XC7,0XA8,
0XBB,0XC9,0XB0,0XC1,0XCE,0XB3,0XC3,0XCF,0XB9,0XC5,0XCF,0XC3,0XCC,0XD6,0XCB,0XD0,
0XDA,0XC8,0XCA,0XD4,0XC9,0XCC,0XD2,0XD0,0XD3,0XD7,0XD6,0XD9,0XDD,0XDC,0XDD,0XE1,
0XDF,0XDF,0XE2,0XE2,0XE1,0XE3,0XE8,0XE4,0XE6,0XE9,0XE4,0XE5,0XEA,0XE5,0XEE,
0XE9,0XE9,0XF5,0XED,0XEC,0XF7,0XEE,0XEB,0XF5,0XEB,0XE8,0XEF,0XE7,0XE6,0XE7,0XE2,
0XE1,0XDC,0XDC,0XDF,0XD3,0XD7,0XDF,0XCA,0XD4,0XE0,0XBC,0XCD,0XDE,0XA5,0XBC,0XD1,
0X96,0XAF,0XC9,0X94,0XB0,0XC9,0XA0,0XBA,0XCB,0XAB,0XC4,0XD6,0XA5,0XBD,0XD6,0XA1,
0XB7,0XD8,0X98,0XAE,0XD4,0X8F,0XA7,0XCF,0X8C,0XA6,0XCB,0X89,0XA6,0XC6,0X83,0XA5,
0XBC,0X84,0XA8,0XBA,0X95,0XB7,0XC7,0X9B,0XB0,0XC3,0XAA,0XBA,0XCC,0XB5,0XC2,0XD1,
0XB9,0XC2,0XCD,0XC5,0XCB,0XD3,0XD0,0XD4,0XD8,0XD8,0XDB,0XDF,0XDE,0XE1,0XE5,0XDF,
0XE1,0XE5,0XDF,0XE2,0XE6,0XE4,0XE5,0XE7,0XE9,0XE5,0XE6,0XEA,0XE4,0XE5,0XEC,0XE3,
0XE4,0XF0,0XE4,0XE4,0XF3,0XE4,0XE5,0XF8,0XE7,0XE8,0XF4,0XE4,0XE4,0XF6,0XE9,0XE7,
0XFA,0XF1,0XEE,0XFE,0XFB,0XF8,0XFA,0XF6,0XED,0XE8,0XEA,0XDB,0X71,0X80,0X6E,0X28,
0X46,0X32,0X24,0X51,0X38,0X1B,0X52,0X37,0X0E,0X4B,0X2D,0X08,0X46,0X28,0X0E,0X4F,
0X2F,0X0F,0X50,0X30,0X08,0X4B,0X2A,0X03,0X50,0X31,0X04,0X59,0X3A,0X0C,0X62,0X43,
0X32,0X7B,0X4D,0X31,0X73,0X47,0X31,0X6F,0X46,0X2F,0X6D,0X45,0X23,0X67,0X42,0X12,
0X62,0X3C,0X15,0X6A,0X47,0X2A,0X76,0X56,0X62,0X99,0X7F,0XCB,0XEA,0XD6,0XF1,0XFC,
0XF1,0XF4,0XF5,0XF4,0XEC,0XEB,0XEF,0XE2,0XE5,0XEB,0XD9,0XDE,0XE7,0XD0,0XD8,0XE4,
0XCD,0XD8,0XE6,0XCB,0XD7,0XE6,0XC4,0XD1,0XDF,0XC4,0XD0,0XDD,0XC0,0XCC,0XD8,0XB4,
0XC2,0XD0,0XB2,0XC1,0XD1,0XB0,0XC0,0XD0,0XAA,0XBD,0XCC,0XA9,0XBC,0XCA,0XAB,0XBE,
0XCB,0XAE,0XBE,0XCB,0XB3,0XC1,0XCE,0XBE,0XC9,0XD5,0XC5,0XCC,0XD8,0XC7,0XCC,0XD9,
0XCA,0XCE,0XD6,0XCE,0XD2,0XD7,0XD3,0XD6,0XDB,0XD8,0XDA,0XDE,0XDC,0XDD,0XE1,0XDE,
0XDF,0XE2,0XE4,0XE2,0XE4,0XE8,0XE4,0XE6,0XE9,0XE5,0XE6,0XEB,0XE6,0XE7,0XEE,0XE9,
0XE9,0XF3,0XEA,0XE8,0XF5,0XEC,0XE9,0XF4,0XEB,0XE8,0XEA,0XE4,0XE2,0XDE,0XDC,0XDC,
0XD4,0XD6,0XDA,0XC7,0XCF,0XD9,0XBA,0XC9,0XD8,0XA1,0XB7,0XCB,0X98,0XB2,0XCA,0X93,
0XAE,0XC8,0XA0,0XB9,0XCC,0XA5,0XBD,0XD1,0XA6,0XBC,0XD7,0X9D,0XB1,0XD2,0X96,0XAB,
0XD0,0X8C,0XA3,0XCA,0X88,0XA3,0XC7,0X83,0X9F,0XBF,0X7A,0X9A,0XB1,0X7F,0XA1,0XB3,
0X98,0XB7,0XC8,0X9F,0XB2,0XC7,0XA1,0XB0,0XC3,0XB3,0XBF,0XD0,0XBC,0XC5,0XD1,0XC5,
0XCC,0XD5,0XCF,0XD4,0XD9,0XD3,0XD7,0XDC,0XD8,0XDC,0XE1,0XDB,0XDF,0XE4,0XDA,0XDD,
0XE2,0XD8,0XDC,0XDF,0XDC,0XDE,0XDD,0XE1,0XE0,0XDE,0XE6,0XE1,0XE0,0XE9,0XE2,0XE2,
0XEC,0XE3,0XE3,0XEB,0XE1,0XE2,0XEC,0XE2,0XE3,0XF0,0XE7,0XE6,0XF1,0XEB,0XEA,0XF7,
0XF1,0XF1,0XF2,0XED,0XE7,0XF9,0XF9,0XED,0XC8,0XD3,0XC5,0X66,0X7E,0X6E,0X27,0X51,
0X3C,0X1F,0X58,0X3F,0X06,0X4D,0X2E,0X08,0X56,0X36,0X18,0X69,0X47,0X24,0X74,0X51,
0X18,0X67,0X43,0X15,0X5A,0X3D,0X12,0X53,0X3A,0X0D,0X50,0X37,0X28,0X71,0X43,0X28,
0X6C,0X41,0X2B,0X6A,0X41,0X28,0X67,0X40,0X19,0X5F,0X3A,0X0B,0X5D,0X37,0X13,0X6D,
0X46,0X20,0X72,0X50,0X48,0X88,0X6B,0XA3,0XCE,0XB6,0XEA,0XFF,0XF1,0XF2,0XF4,0XF1,
0XEE,0XED,0XEF,0XE6,0XE8,0XEC,0XDB,0XE0,0XE8,0XCF,0XD7,0XE2,0XD1,0XDA,0XE7,0XCE,
0XDA,0XE8,0XC6,0XD3,0XE1,0XC6,0XD2,0XDE,0XC3,0XCF,0XD9,0XBA,0XC6,0XD2,0XB4,0XC3,
0XD2,0XB3,0XC3,0XD3,0XAC,0XBF,0XCE,0XA8,0XBB,0XC9,0XA8,0XBB,0XC8,0XB0,0XC1,0XCE,
0XB5,0XC5,0XD2,0XBB,0XC8,0XD6,0XBF,0XC8,0XD5,0XC1,0XC8,0XD7,0XC7,0XCD,0XD6,0XCA,
0XD1,0XD6,0XD0,0XD4,0XD9,0XD3,0XD9,0XDC,0XD7,0XDA,0XDE,0XDA,0XDC,0XE0,0XE3,0XE2,
0XE5,0XE7,0XE5,0XE7,0XE8,0XE4,0XE6,0XE8,0XE4,0XE5,0XE9,0XE5,0XE6,0XF1,0XE9,0XE9,
0XF5,0XEC,0XEA,0XF6,0XED,0XEB,0XEE,0XE8,0XE5,0XE1,0XDC,0XDC,0XD2,0XD2,0XD5,0XC1,
0XC9,0XD1,0XB4,0XC2,0XD0,0X99,0XAF,0XC2,0X95,0XAF,0XC8,0X94,0XB2,0XCC,0X99,0XB2,
0XC8,0XA3,0XBB,0XD3,0XA3,0XBA,0XD5,0X94,0XAA,0XC9,0X91,0XA7,0XCA,0X8B,0XA2,0XC5,
0X85,0X9D,0XBF,0X83,0X9D,0XBA,0X80,0X9E,0XB6,0X84,0XA4,0XB7,0X97,0XB2,0XC4,0X9C,
0XAE,0XC5,0X97,0XA4,0XBA,0XA6,0XB2,0XC3,0XAF,0XB9,0XC6,0XBA,0XC1,0XCB,0XC7,0XCD,
0XD5,0XC9,0XCD,0XD3,0XCA,0XCF,0XD4,0XCE,0XD3,0XD8,0XCF,0XD5,0XDC,0XD0,0XD6,0XDA,
0XD3,0XDA,0XDA,0XD5,0XDC,0XDB,0XD9,0XDD,0XDD,0XDD,0XDF,0XDD,0XDF,0XDF,0XE1,
0XE0,0XE0,0XE4,0XE0,0XE1,0XE5,0XE2,0XE3,0XE7,0XE6,0XE6,0XEA,0XE9,0XE9,0XED,0XEB,

0XE8, 0XED, 0XEE, 0XE4, 0XE9, 0XF0, 0XE6, 0XBF, 0XD0, 0XC4, 0X60, 0X81, 0X70, 0X1C, 0X50, 0X3A, 0X04, 0X40, 0X24, 0X0A, 0X5B, 0X3C, 0X18, 0X6F, 0X4E, 0X25, 0X7C, 0X59, 0X1B, 0X6C, 0X4A, 0X1B, 0X54, 0X3C, 0X1A, 0X46, 0X33, 0X0D, 0X39, 0X27, 0X1D, 0X69, 0X3D, 0X1F, 0X66, 0X3C, 0X22, 0X62, 0X3A, 0X1C, 0X5C, 0X35, 0X0D, 0X56, 0X30, 0X01, 0X53, 0X2C, 0X03, 0X5F, 0X38, 0X10, 0X6A, 0X46, 0X29, 0X72, 0X53, 0X73, 0XAA, 0X8E, 0XE2, 0XFD, 0XED, 0XF2, 0XF4, 0XF2, 0XF0, 0XEE, 0XF0, 0XE7, 0XE9, 0XEE, 0XDB, 0XE1, 0XE9, 0XCF, 0XD6, 0XE0, 0XCD, 0XD6, 0XE3, 0XCC, 0XD8, 0XE4, 0XCB, 0XD7, 0XE3, 0XCB, 0XD7, 0XE3, 0XCA, 0XD4, 0XDE, 0XC2, 0XCE, 0XDA, 0XBD, 0XCB, 0XDB, 0XB8, 0XC7, 0XD7, 0XB0, 0XC1, 0XD0, 0XA9, 0XBC, 0XCB, 0XA7, 0XBA, 0XC9, 0XA6, 0XB9, 0XC8, 0XB0, 0XC0, 0XD0, 0XB5, 0XC3, 0XD3, 0XBA, 0XC4, 0XD4, 0XBD, 0XC5, 0XD6, 0XC1, 0XC8, 0XD3, 0XC5, 0XCD, 0XD4, 0XCB, 0XD1, 0XD6, 0XCE, 0XD4, 0XD9, 0XD2, 0XD7, 0XDB, 0XD5, 0XD8, 0XDC, 0XDA, 0XDB, 0XDF, 0XE0, 0XDF, 0XE1, 0XE2, 0XE0, 0XE2, 0XE5, 0XE2, 0XE4, 0XE9, 0XE6, 0XE6, 0XF1, 0XEB, 0XEC, 0XF3, 0XEC, 0XEC, 0XF7, 0XEF, 0XEF, 0XF5, 0XEE, 0XED, 0XE3, 0XDE, 0XDE, 0XCD, 0XCE, 0XD0, 0XBC, 0XC4, 0XCB, 0XB0, 0XBE, 0XCD, 0X95, 0XAB, 0XC1, 0X8C, 0XA9, 0XC4, 0X92, 0XB0, 0XCE, 0X8E, 0XA8, 0XC6, 0X98, 0XB1, 0XCF, 0X95, 0XAE, 0XCC, 0X87, 0X9F, 0XBC, 0X82, 0X9A, 0XB7, 0X89, 0XA1, 0XBD, 0X84, 0X9D, 0XB7, 0X84, 0X9D, 0XB6, 0X87, 0XA0, 0XB8, 0X83, 0X9C, 0XB3, 0X84, 0X9B, 0XB2, 0X88, 0X98, 0XB1, 0X83, 0X8F, 0XA7, 0X8F, 0X9A, 0XAD, 0X9E, 0XA7, 0XB6, 0XAF, 0XB6, 0XC2, 0XBB, 0XC0, 0XCA, 0XBA, 0XBF, 0XC7, 0XB9, 0XC0, 0XC7, 0XBF, 0XC7, 0XCE, 0XC6, 0XCD, 0XD5, 0XC7, 0XD1, 0XD8, 0XC7, 0XD5, 0XD7, 0XC8, 0XD4, 0XD6, 0XC9, 0XD5, 0XD6, 0XCC, 0XD7, 0XD8, 0XD1, 0XD8, 0XDA, 0XD7, 0XDC, 0XDF, 0XD8, 0XDC, 0XDD, 0XD9, 0XDC, 0XDD, 0XDD, 0XDE, 0XE0, 0XE0, 0XE1, 0XE2, 0XE5, 0XE8, 0XE5, 0XE1, 0XE8, 0XE0, 0XE9, 0XED, 0XE6, 0XEF, 0XF6, 0XEE, 0XD0, 0XE2, 0XD6, 0XAD, 0XD0, 0XC0, 0X51, 0X87, 0X73, 0X0F, 0X57, 0X3E, 0X22, 0X71, 0X56, 0X1D, 0X6D, 0X50, 0X11, 0X5A, 0X3E, 0X14, 0X40, 0X2E, 0X14, 0X30, 0X23, 0X08, 0X25, 0X17, 0X16, 0X65, 0X3A, 0X17, 0X5F, 0X36, 0X16, 0X57, 0X30, 0X0F, 0X52, 0X2B, 0X05, 0X52, 0X2C, 0X00, 0X5B, 0X33, 0X00, 0X61, 0X3A, 0X08, 0X6A, 0X44, 0X1A, 0X6B, 0X4A, 0X41, 0X81, 0X63, 0XB4, 0XDA, 0XC4, 0XF5, 0XF9, 0XF5, 0XF1, 0XEE, 0XF0, 0XE5, 0XE6, 0XEB, 0XDC, 0XDF, 0XE7, 0XD2, 0XD9, 0XE2, 0XC5, 0XCE, 0XDB, 0XC5, 0XCF, 0XDC, 0XCA, 0XD6, 0XE2, 0XD0, 0XDA, 0XE4, 0XCC, 0XD6, 0XE0, 0XC5, 0XD1, 0XDD, 0XBF, 0XCC, 0XDA, 0XB5, 0XC4, 0XD4, 0XAC, 0XBC, 0XCC, 0XA4, 0XB7, 0XC6, 0X9F, 0XB2, 0XC1, 0XA4, 0XB7, 0XC6, 0XAE, 0XBF, 0XD0, 0XB0, 0XBE, 0XD0, 0XB7, 0XC2, 0XD4, 0XBC, 0XC4, 0XD6, 0XBC, 0XC5, 0XD0, 0XBF, 0XD0, 0XC9, 0XD0, 0XC4, 0XCC, 0XD3, 0XCB, 0XD1, 0XD6, 0XCE, 0XD3, 0XD8, 0XD0, 0XD4, 0XD9, 0XD3, 0XD6, 0XDA, 0XD8, 0XD9, 0XDD, 0XDB, 0XDB, 0XDE, 0XDF, 0XDE, 0XE0, 0XE6, 0XE4, 0XE6, 0XEE, 0XE9, 0XEB, 0XF0, 0XEA, 0XEC, 0XF4, 0XEF, 0XEF, 0XF4, 0XEF, 0XEF, 0XE5, 0XE0, 0XE1, 0XD0, 0XD1, 0XD3, 0XBA, 0XC2, 0XCA, 0XB0, 0XBF, 0XCE, 0X98, 0XB0, 0XC6, 0X89, 0XA7, 0XC5, 0X88, 0XA8, 0XCB, 0X85, 0XA0, 0XC6, 0X88, 0XA2, 0XC6, 0X85, 0XA1, 0XC0, 0X86, 0XA2, 0XBC, 0X80, 0X9C, 0XB0, 0X90, 0XAA, 0XBE, 0X89, 0XA2, 0XB5, 0X85, 0X9D, 0XB2, 0X87, 0X9C, 0XB7, 0X7E, 0X91, 0XAE, 0X78, 0X87, 0XA5, 0X7A, 0X87, 0XA3, 0X74, 0X80, 0X99, 0X7D, 0X87, 0X9D, 0X91, 0X99, 0XAA, 0XA7, 0XAE, 0XBC, 0XB2, 0XB7, 0XC0, 0XB0, 0XB6, 0XBF, 0XB1, 0XB8, 0XC1, 0XB8, 0XC0, 0XC9, 0XBC, 0XC5, 0XCF, 0XBE, 0XC8, 0XD1, 0XBB, 0XCA, 0XD1, 0XBB, 0XC9, 0XD0, 0XBB, 0XC9, 0XCF, 0XBE, 0XCA, 0XCE, 0XC0, 0XCC, 0XD0, 0XC7, 0XD0, 0XD4, 0XCA, 0XD1, 0XD5, 0XD0, 0XD5, 0XD8, 0XD6, 0XDA, 0XDB, 0XDC, 0XDE, 0XDF, 0XD9, 0XDF, 0XDD, 0XD9, 0XDF, 0XDA, 0XE8, 0XE5, 0XE1, 0XF2, 0XEB, 0XE6, 0XEF, 0XEC, 0XE7, 0XE6, 0XF2, 0XE8, 0XBF, 0XDE, 0XD3, 0X3E, 0X72, 0X62, 0X1F, 0X5E, 0X4A, 0X11, 0X52, 0X3E, 0X05, 0X41, 0X2E, 0X0F, 0X36, 0X27, 0X15, 0X2D, 0X23, 0X0F, 0X27, 0X1D, 0X10, 0X61, 0X37, 0X15, 0X5F, 0X37, 0X16, 0X5B, 0X33, 0X13, 0X59, 0X31, 0X0E, 0X5E, 0X37, 0X09, 0X67, 0X3F, 0X04, 0X6A, 0X42, 0X08, 0X6E, 0X48, 0X1A, 0X72, 0X4F, 0X2C, 0X73, 0X53, 0X93, 0XBD, 0XA7, 0XF7, 0XFA, 0XF6, 0XF2, 0XEF, 0XF1, 0XE8, 0XE7, 0XEB, 0XDC, 0XDF, 0XE7, 0XD2, 0XD9, 0XE2, 0XC3, 0XCC, 0XD8, 0XBB, 0XC5, 0XD2, 0XBD, 0XC9, 0XD5, 0XC2, 0XCC, 0XD6, 0XC2, 0XCD, 0XD5, 0XC3, 0XCF, 0XDA, 0XBE, 0XCA, 0XD8, 0XB3, 0XC2, 0XD2, 0XAE, 0XBE, 0XCE, 0XA9, 0XBC, 0XCB, 0XA4, 0XB9, 0XC8, 0XA8, 0XBB, 0XCB, 0XB1, 0XC1, 0XD2, 0XAC, 0XBB, 0XCD, 0XB2, 0XBE, 0XD0, 0XB8, 0XC2, 0XD5, 0XB8, 0XC1, 0XCE, 0XBB, 0XC5, 0XCC, 0XC0, 0XC9, 0XD0, 0XC6, 0XCD, 0XD3, 0XC9, 0XCF, 0XD5, 0XCA, 0XD0, 0XD5, 0XD1, 0XD5, 0XD8, 0XD5, 0XD6, 0XDA, 0XD6, 0XD6, 0XD9, 0XDA, 0XD9, 0XDB, 0XE0, 0XDF, 0XE1, 0XE6, 0XE5, 0XE8, 0XEB, 0XE6, 0XEA, 0XEE, 0XEB, 0XEB, 0XEF, 0XEA, 0XEB, 0XE8, 0XE5, 0XE6, 0XD9, 0XDC, 0XDE, 0XBC, 0XC5, 0XCD, 0XAD, 0XBC, 0XCE, 0X98, 0XB0, 0XC9, 0X85, 0XA5, 0XC4, 0X7D, 0XA0, 0XC4, 0X7F, 0X9B, 0XC7, 0X80, 0X9B, 0XC5, 0X7F, 0X9C, 0XBE, 0X89, 0XA8, 0XC0, 0X88, 0XA7, 0XB7, 0XA4, 0XC1, 0XCC, 0X99, 0XB3, 0XC0, 0X8F, 0XA4, 0XB7, 0X8B, 0X9D, 0XB8, 0X83, 0X90, 0XB2, 0X7E, 0X88, 0XAC, 0X7C, 0X87, 0XA5, 0X77, 0X82, 0X9D, 0X7B, 0X86, 0X9C, 0X90, 0X98, 0XAB, 0XA8, 0XAF, 0XBE, 0XB7, 0XBD, 0XC8, 0XB4, 0XBA, 0XC4, 0XAF, 0XB6, 0XBF, 0XAF, 0XB8, 0XC2, 0XB3, 0XBC, 0XC6, 0XB2, 0XBD, 0XC7, 0XAE, 0XBB, 0XC6, 0XAE, 0XBB, 0XC5, 0XAF, 0XBA, 0XC5, 0XAF, 0XBA, 0XC3,

0XAF, 0XB9, 0XC1, 0XB5, 0XBD, 0XC3, 0XB9, 0XC0, 0XC5, 0XC2, 0XC7, 0XCA, 0XCC, 0XCE, 0XD1, 0XD4, 0XD4, 0XD6, 0XD9, 0XDE, 0XDC, 0XDC, 0XE2, 0XDD, 0XEA, 0XE0, 0XDE, 0XF8, 0XE2, 0XE1, 0XF7, 0XE1, 0XE0, 0XE7, 0XDE, 0XDB, 0XD5, 0XE1, 0XDA, 0X7F, 0XA0, 0X96, 0X19, 0X46, 0X3A, 0X0F, 0X40, 0X33, 0X0B, 0X39, 0X2D, 0X18, 0X39, 0X2F, 0X1B, 0X34, 0X2B, 0X17, 0X2F, 0X26, 0X11, 0X5F, 0X39, 0X19, 0X66, 0X3F, 0X1F, 0X69, 0X43, 0X1D, 0X6C, 0X45, 0X16, 0X71, 0X49, 0X15, 0X7D, 0X55, 0X11, 0X81, 0X58, 0X10, 0X7D, 0X56, 0X1A, 0X78, 0X53, 0X21, 0X6D, 0X4C, 0X7F, 0XAE, 0X96, 0XF1, 0XF8, 0XF2, 0XF0, 0XF1, 0XF1, 0XEA, 0XEC, 0XEE, 0XDF, 0XE2, 0XEA, 0XD1, 0XD6, 0XE0, 0XC6, 0XCD, 0XDB, 0XB6, 0XBF, 0XCD, 0XB0, 0XB8, 0XC7, 0XB1, 0XBA, 0XC8, 0XB4, 0XC0, 0XCD, 0XB8, 0XC3, 0XD3, 0XAE, 0XBC, 0XD0, 0XA6, 0XB7, 0XC9, 0XA3, 0XB9, 0XC9, 0XA2, 0XBA, 0XC8, 0XA1, 0XB8, 0XC7, 0XA1, 0XB4, 0XC6, 0XAA, 0XBA, 0XCD, 0XA5, 0XB3, 0XC5, 0XAD, 0XB9, 0XCB, 0XB4, 0XC1, 0XD1, 0XB2, 0XBF, 0XCC, 0XB5, 0XC3, 0XCB, 0XB9, 0XC7, 0XD0, 0XBF, 0XCA, 0XD3, 0XC2, 0XCC, 0XD5, 0XC5, 0XCE, 0XD5, 0XC9, 0XCE, 0XD4, 0XCD, 0XD0, 0XD6, 0XD2, 0XD4, 0XD8, 0XDA, 0XD9, 0XDD, 0XE1, 0XE0, 0XE4, 0XE2, 0XE2, 0XE5, 0XE6, 0XE5, 0XE7, 0XEB, 0XE6, 0XE8, 0XED, 0XE5, 0XE8, 0XED, 0XE7, 0XEA, 0XE3, 0XE3, 0XE9, 0XBF, 0XC7, 0XD3, 0XA8, 0XB8, 0XCA, 0X96, 0XAD, 0XC6, 0X85, 0XA3, 0XC0, 0X7B, 0X9D, 0XBE, 0X7A, 0X9F, 0XC3, 0X7F, 0XA4, 0XC5, 0X7B, 0X9F, 0XB6, 0X7E, 0XA1, 0XAF, 0X81, 0XA2, 0XA7, 0XB6, 0XD1, 0XD6, 0XB2, 0XC9, 0XD0, 0X9F, 0XB0, 0XC0, 0X92, 0X9E, 0XB9, 0X87, 0X91, 0XB3, 0X82, 0X8B, 0XB1, 0X7B, 0X87, 0XA5, 0X79, 0X86, 0XA0, 0X7E, 0X8A, 0XA1, 0X96, 0XA0, 0XB3, 0XB1, 0XB8, 0XC7, 0XC9, 0XCD, 0XD8, 0XC4, 0XC9, 0XD1, 0XB4, 0XBB, 0XC2, 0XAC, 0XB7, 0XBD, 0XAC, 0XBB, 0XC0, 0XA9, 0XBA, 0XC1, 0XA2, 0XB1, 0XBD, 0XA3, 0XB2, 0XBD, 0XA4, 0XB1, 0XBD, 0XA3, 0XB0, 0XB9, 0XA2, 0XAD, 0XB5, 0XA6, 0XB0, 0XB7, 0XAE, 0XB5, 0XBC, 0XB6, 0XBA, 0XC0, 0XBF, 0XC1, 0XC7, 0XCA, 0XC9, 0XCE, 0XC8, 0XCD, 0XCD, 0XCF, 0XD4, 0XD3, 0XE5, 0XDD, 0XDE, 0XF0, 0XDC, 0XDE, 0XF3, 0XDD, 0XE0, 0XEF, 0XE0, 0XE1, 0XDF, 0XDF, 0XDD, 0X9A, 0XAB, 0XA7, 0X28, 0X45, 0X3F, 0X1B, 0X3F, 0X37, 0X18, 0X3B, 0X34, 0X2E, 0X49, 0X46, 0X2C, 0X43, 0X42, 0X28, 0X3D, 0X3C, 0X0E, 0X59, 0X34, 0X13, 0X60, 0X3B, 0X1D, 0X6F, 0X49, 0X19, 0X76, 0X4F, 0X12, 0X7E, 0X54, 0X0F, 0X85, 0X5C, 0X05, 0X7F, 0X56, 0X0B, 0X7E, 0X56, 0X13, 0X73, 0X4E, 0X1A, 0X69, 0X47, 0X68, 0X9D, 0X82, 0XE7, 0XF7, 0XED, 0XE9, 0XF0, 0XED, 0XE8, 0XED, 0XEE, 0XE2, 0XE4, 0XEC, 0XD2, 0XD2, 0XDF, 0XC0, 0XC1, 0XD1, 0XB5, 0XB9, 0XCB, 0XA9, 0XAF, 0XC3, 0XAD, 0XB5, 0XC8, 0XAB, 0XB7, 0XCA, 0XA1, 0XAC, 0XC5, 0XA4, 0XAF, 0XCE, 0X9D, 0XB1, 0XCB, 0X9E, 0XBC, 0XCD, 0X95, 0XB7, 0XC4, 0X9A, 0XB7, 0XC6, 0XA3, 0XB7, 0XCB, 0XA9, 0XB7, 0XCE, 0XAD, 0XB7, 0XCD, 0XAC, 0XB9, 0XCA, 0XA7, 0XB8, 0XC4, 0XA5, 0XB9, 0XC6, 0XAB, 0XBF, 0XCE, 0XB3, 0XC6, 0XD4, 0XB4, 0XC5, 0XD4, 0XB7, 0XC6, 0XD2, 0XBE, 0XC9, 0XD4, 0XC2, 0XCB, 0XD5, 0XC4, 0XCB, 0XD3, 0XC9, 0XCD, 0XD5, 0XCF, 0XD1, 0XD8, 0XD4, 0XD4, 0XDB, 0XDE, 0XE2, 0XE2, 0XE5, 0XE6, 0XE5, 0XEA, 0XE3, 0XE5, 0XF2, 0XE3, 0XE8, 0XF0, 0XE2, 0XEB, 0XDD, 0XD7, 0XE3, 0XBC, 0XC2, 0XD1, 0XA7, 0XB9, 0XCB, 0X9B, 0XB4, 0XC9, 0X8D, 0XA9, 0XC1, 0X84, 0XA5, 0XBC, 0X77, 0XAC, 0XBA, 0X70, 0XA8, 0XB0, 0X65, 0X97, 0X99, 0X49, 0X73, 0X6F, 0X42, 0X64, 0X5B, 0X9D, 0XB7, 0XB0, 0XC4, 0XD7, 0XD7, 0XB6, 0XC4, 0XCD, 0X9F, 0XA9, 0XBE, 0X93, 0X9C, 0XBA, 0X81, 0X8A, 0XAC, 0X7B, 0X86, 0XA4, 0X7A, 0X88, 0XA2, 0X7C, 0X8B, 0XA1, 0X8C, 0X9A, 0XAC, 0XAD, 0XB5, 0XC2, 0XC6, 0XC8, 0XD3, 0XDD, 0XDC, 0XE3, 0XBE, 0XC2, 0XC4, 0X96, 0XA4, 0XA3, 0X98, 0XB1, 0XAD, 0X9E, 0XBA, 0XBA, 0X9A, 0XB3, 0XB9, 0X9E, 0XB4, 0XBB, 0X9C, 0XB1, 0XB8, 0X9E, 0XB2, 0XB9, 0X9F, 0XB0, 0XB7, 0XA0, 0XAC, 0XB4, 0XAB, 0XB4, 0XBD, 0XAD, 0XB4, 0XBC, 0XB1, 0XB6, 0XBF, 0XBA, 0XBC, 0XC5, 0XB9, 0XBF, 0XC6, 0XBD, 0XC5, 0XC9, 0XCB, 0XCD, 0XD2, 0XD8, 0XD5, 0XDA, 0XDF, 0XDB, 0XDE, 0XE2, 0XDD, 0XE1, 0XE1, 0XE2, 0XE3, 0XC5, 0XCD, 0XCC, 0X4B, 0X5C, 0X5A, 0X39, 0X50, 0X4D, 0X3C, 0X56, 0X53, 0X45, 0X58, 0X5F, 0X47, 0X56, 0X63, 0X49, 0X57, 0X64, 0X17, 0X5A, 0X35, 0X14, 0X5A, 0X34, 0X1B, 0X69, 0X42, 0X1D, 0X76, 0X4D, 0X15, 0X7C, 0X52, 0X0E, 0X7F, 0X54, 0X09, 0X7B, 0X51, 0X07, 0X6E, 0X48, 0X0E, 0X64, 0X40, 0X15, 0X59, 0X38, 0X46, 0X73, 0X59, 0XD1, 0XE0, 0XD6, 0XF3, 0XFA, 0XF7, 0XE9, 0XED, 0XEF, 0XDD, 0XDF, 0XE7, 0XCE, 0XCE, 0XDA, 0XBE, 0XBE, 0XCE, 0XB7, 0XBA, 0XCD, 0XAF, 0XB5, 0XC9, 0XB0, 0XB8, 0XCC, 0XAC, 0XB7, 0XCB, 0X9F, 0XAB, 0XC6, 0X94, 0X9D, 0XC1, 0X96, 0XAB, 0XC5, 0X96, 0XB5, 0XC6, 0X97, 0XB9, 0XC7, 0X9E, 0XBC, 0XCB, 0XA0, 0XB3, 0XC8, 0XA3, 0XAE, 0XC7, 0XB1, 0XB8, 0XD2, 0XB1, 0XBB, 0XCF, 0XA8, 0XB8, 0XC6, 0XA7, 0XB9, 0XC7, 0XA6, 0XB8, 0XC8, 0XA8, 0XBB, 0XCA, 0XAF, 0XBF, 0XCF, 0XB3, 0XC2, 0XCF, 0XB5, 0XC1, 0XCD, 0XB8, 0XC2, 0XCC, 0XBB, 0XC2, 0XCB, 0XC3, 0XC7, 0XD0, 0XCF, 0XD2, 0XDA, 0XD9, 0XDB, 0XE2, 0XD9, 0XDD, 0XDE, 0XE0, 0XE2, 0XE2, 0XE7, 0XE2, 0XE3, 0XEE, 0XE2, 0XE6, 0XE9, 0XDE, 0XE5, 0XD0, 0XD0, 0XD8, 0XB0, 0XBD, 0XC5, 0XA4, 0XBC, 0XC6, 0X9C, 0XBB, 0XC5, 0X97, 0XBA, 0XC6, 0X8B, 0XB3, 0XBC, 0X65, 0X9E, 0X9D, 0X4B, 0X87, 0X7F, 0X36, 0X6D, 0X61, 0X2E, 0X5C, 0X4C, 0X20, 0X46, 0X33, 0X54, 0X71, 0X61, 0XA8, 0XBE, 0XB4, 0XC7, 0XD7, 0XD7, 0XA9, 0XB6, 0XC3, 0X9E, 0XA9, 0XBF, 0X88, 0X93, 0XAE, 0X80, 0X8B, 0XA7, 0X85, 0X93, 0XAD, 0X80, 0X90, 0XA6, 0X87, 0X95, 0XA7, 0XA8, 0XAF, 0XBE, 0XC6, 0XC7, 0XD3, 0XD6, 0XD6, 0XDE, 0XA6, 0XAA, 0XAD, 0X4E,

0X5D,0X5B,0X5A,0X73,0X70,0X6E,0X8B,0X8A,0X8F,0XAB,0XB1,0XA2,0XBC,0XC3,0X9D,0XB5,
0XBD,0X9B,0XB0,0XB8,0X9E,0XB0,0XB9,0X9E,0XAA,0XB4,0X9E,0XA7,0XB1,0X9F,0XA8,0XB2,
0XAD,0XB3,0XBF,0XB2,0XB6,0XC1,0XAA,0XB1,0XB9,0XA7,0XB1,0XB8,0XB0,0XB7,0XBD,0XC2,
0XC5,0XCB,0XD1,0XD0,0XD6,0XD6,0XD5,0XD9,0XDC,0XDC,0XE0,0XDD,0XE1,0XE4,0X8B,0X96,
0X96,0X57,0X68,0X67,0X56,0X6C,0X6B,0X5E,0X70,0X77,0X63,0X70,0X7E,0X68,0X75,0X83,
0X20,0X64,0X37,0X13,0X5A,0X2E,0X18,0X64,0X38,0X1D,0X73,0X46,0X16,0X78,0X4B,0X0E,
0X77,0X4B,0X0C,0X75,0X4B,0X02,0X5F,0X39,0X0B,0X55,0X33,0X11,0X47,0X2A,0X25,0X47,
0X30,0XAE,0XBC,0XB2,0XF1,0XF7,0XF4,0XEA,0XEF,0XF0,0XDE,0XE0,0XE8,0XD0,0XD1,0XDD,
0XC9,0XC9,0XD9,0XBC,0XBF,0XD1,0XB1,0XB6,0XCA,0XAF,0XB7,0XCA,0XAB,0XB6,0XC9,0XA4,
0XAE,0XC9,0X94,0X9D,0XC0,0X9C,0XB1,0XCA,0X96,0XB4,0XC5,0X96,0XB8,0XC4,0XA1,0XBD,
0XCC,0XA7,0XB9,0XCD,0XA6,0XAF,0XC9,0XB2,0XB8,0XD3,0XB1,0XBB,0XD1,0XAB,0XBA,0XCB,
0XAC,0XBC,0XCD,0XA8,0XB6,0XC8,0XA8,0XB7,0XC7,0XB3,0XC1,0XD0,0XB9,0XC5,0XD3,0XB8,
0XC1,0XCE,0XBB,0XC4,0XCE,0XC2,0XC7,0XD0,0XCA,0XCE,0XD6,0XD1,0XD4,0XDC,0XD6,0XD9,
0XE0,0XD5,0XDA,0XDD,0XDC,0XE0,0XE1,0XE5,0XE2,0XE4,0XEA,0XE2,0XE5,0XE1,0XDE,0XE0,
0XC9,0XD0,0XD1,0XAA,0XC1,0XBE,0X8F,0XB3,0XAF,0X78,0XA4,0X9F,0X66,0X95,0X90,0X4C,
0X80,0X77,0X26,0X63,0X53,0X23,0X61,0X4B,0X24,0X5C,0X43,0X2D,0X5D,0X41,0X21,0X49,
0X2D,0X1C,0X3C,0X23,0X52,0X6B,0X5A,0XB1,0XC5,0XBC,0XC5,0XD6,0XD8,0XA2,0XB1,0XBD,
0X9B,0XA9,0XBB,0X89,0X96,0XAE,0X8C,0X9A,0XB1,0X8B,0X9B,0XAF,0X90,0X9E,0XB0,0X9C,
0XA4,0XB4,0XBD,0XBF,0XCC,0XCF,0XCF,0XD8,0XA9,0XAD,0XB2,0X38,0X46,0X46,0X2C,0X43,
0X40,0X2C,0X48,0X49,0X44,0X5F,0X67,0X66,0X7F,0X8A,0X7E,0X95,0XA0,0X8D,0XA2,0XAD,
0X93,0XA6,0XB0,0X99,0XA8,0XB4,0XA0,0XAC,0XB8,0XA6,0XAF,0XBB,0XAD,0XB4,0XC1,0XAB,
0XB1,0XBF,0XA2,0XAC,0XB6,0X9B,0XA7,0XAF,0X9A,0XA3,0XAC,0XAA,0XAE,0XB7,0XBB,0XBC,
0XC3,0XC1,0XC0,0XC8,0XCE,0XCD,0XD4,0XDA,0XDD,0XE2,0XBB,0XC2,0XC6,0X7F,0X8C,0X8E,
0X7C,0X8B,0X8F,0X81,0X90,0X98,0X84,0X92,0X9E,0X88,0X96,0XA3,0X23,0X6E,0X3A,0X15,
0X62,0X2F,0X17,0X6B,0X37,0X1F,0X7A,0X49,0X20,0X84,0X54,0X1D,0X87,0X58,0X17,0X7F,
0X52,0X08,0X62,0X3A,0X0D,0X51,0X30,0X08,0X39,0X1C,0X0F,0X2A,0X17,0XAF,0XB8,0XB2,
0XF4,0XF9,0XF7,0XF1,0XF5,0XF7,0XE0,0XE2,0XE9,0XD4,0XD5,0XE1,0XC8,0XC7,0XD7,0XBB,
0XBB,0XCE,0XB7,0XBC,0XCF,0XB5,0XBD,0XCF,0XA4,0XB0,0XC2,0X9B,0XA6,0XBD,0XA0,0XAB,
0XC8,0XA9,0XC0,0XD3,0X9E,0XBE,0XC8,0X97,0XB9,0XBE,0XA6,0XC2,0XCB,0XB1,0XC3,0XD2,
0XB5,0XBF,0XD4,0XB4,0XBB,0XD1,0XAE,0XB8,0XCC,0XA8,0XB7,0XC7,0XAD,0XBC,0XCD,0XAD,
0XBB,0XCD,0XAB,0XB8,0XC8,0XB4,0XBE,0XCF,0XB8,0XC2,0XD0,0XB7,0XC0,0XCD,0XBE,0XC7,
0XD1,0XC5,0XCC,0XD5,0XCE,0XD3,0XDB,0XD3,0XD6,0XDE,0XD2,0XD7,0XDE,0XD2,0XD8,0XDD,
0XDA,0XDD,0XE1,0XDF,0XDF,0XE3,0XE4,0XE0,0XE1,0XD9,0XDD,0XDB,0XBE,0XCF,0XC8,0X8B,
0XAC,0X9F,0X52,0X81,0X70,0X37,0X6F,0X5A,0X25,0X61,0X4B,0X19,0X56,0X3B,0X0F,0X4F,
0X31,0X15,0X52,0X33,0X1A,0X52,0X31,0X1E,0X4F,0X2D,0X1E,0X46,0X26,0X18,0X39,0X1C,
0X18,0X34,0X1D,0X6C,0X82,0X76,0XC8,0XDB,0XD8,0XB9,0XCB,0XCE,0XA2,0XB2,0XBE,0X93,
0XA0,0XB4,0X8A,0X98,0XAD,0X8E,0X9E,0XB1,0X96,0XA4,0XB6,0X93,0X9C,0XAD,0XA2,0XA4,
0XB3,0XCE,0XCE,0XD9,0XD6,0XD8,0XE1,0X70,0X7C,0X7F,0X43,0X56,0X58,0X45,0X5E,0X61,
0X47,0X60,0X6C,0X4B,0X65,0X71,0X58,0X6F,0X7B,0X67,0X7C,0X89,0X6A,0X7D,0X8A,0X7E,
0X8F,0X9C,0X8F,0X9D,0XAB,0X9A,0XA5,0XB3,0XA0,0XA9,0XB7,0XA1,0XAA,0XB9,0X9A,0XA6,
0XB3,0X96,0XA5,0XAE,0X9D,0XA8,0XB2,0XA8,0XAF,0XBA,0XAD,0XB0,0XBA,0XAD,0XAC,0XB5,
0XBF,0XBE,0XC7,0XCD,0XCE,0XD7,0XD4,0XD8,0XDD,0XA9,0XB1,0XB5,0XA1,0XAC,0XB0,0X9D,
0XA9,0XB2,0X9C,0XAA,0XB6,0X9D,0XAB,0XB7,0X31,0X8C,0X52,0X23,0X80,0X47,0X21,0X84,
0X4B,0X26,0X8F,0X58,0X2B,0X9C,0X67,0X2D,0XA2,0X6F,0X24,0X94,0X65,0X14,0X76,0X4C,
0X18,0X62,0X3F,0X0D,0X42,0X25,0X16,0X37,0X22,0XC1,0XCB,0XC4,0XF2,0XF7,0XF6,0XF1,
0XF4,0XF6,0XDF,0XDF,0XE7,0XDA,0XD9,0XE4,0XD0,0XCF,0XDE,0XBB,0XBC,0XCC,0XB7,0XBD,
0XCC,0XBC,0XC4,0XD3,0XAC,0XB7,0XC6,0XA1,0XAE,0XBF,0XAE,0XC0,0XD1,0XAB,0XC5,0XCD,
0X8E,0XB1,0XAE,0X6B,0X91,0X8A,0X75,0X96,0X92,0XA1,0XB5,0XB9,0XBB,0XC5,0XD1,0XB5,
0XBE,0XCE,0XB0,0XBD,0XCA,0XAB,0XBD,0XC6,0XA5,0XB6,0XC4,0XA6,0XB3,0XC5,0XA6,0XB3,
0XC3,0XAE,0XB9,0XCA,0XB8,0XC3,0XD1,0XBE,0XC7,0XD4,0XBD,0XC6,0XD0,0XC1,0XC8,0XD1,
0XC6,0XCD,0XD5,0XCD,0XD3,0XDA,0XD0,0XD6,0XDD,0XCF,0XD6,0XDD,0XD4,0XDA,0XDF,0XD8,
0XDA,0XDF,0XDA,0XDC,0XDC,0XD1,0XDA,0XD5,0XB0,0XC8,0XBC,0X5F,0X88,0X74,0X24,0X5B,
0X41,0X1D,0X5C,0X3D,0X0E,0X51,0X2F,0X09,0X49,0X26,0X09,0X47,0X26,0X11,0X49,0X2A,
0X1F,0X53,0X33,0X18,0X47,0X28,0X17,0X3E,0X22,0X14,0X35,0X1D,0X14,0X2E,0X1E,0X2B,
0X43,0X39,0X80,0X95,0X93,0XC1,0XD4,0XD8,0XB3,0XC3,0XCC,0XA3,0XAF,0XBF,0X90,0X9E,

0XB1,0X8F,0X9F,0XB1,0X97,0XA8,0XB9,0X98,0XA2,0XB4,0X93,0X96,0XA7,0XB1,0XB2,0XC0,
0XDD,0XDE,0XE9,0XBB,0XC7,0XCC,0X77,0X8A,0X8C,0X6C,0X84,0X89,0X70,0X89,0X96,0X74,
0X8B,0X9A,0X7B,0X91,0XA0,0X86,0X9B,0XAA,0X88,0X9B,0XAA,0X8E,0X9E,0XAE,0X98,0XA6,
0XB6,0X9C,0XA9,0XB9,0XA4,0XAE,0XBF,0XA9,0XB3,0XC4,0XA9,0XB7,0XC4,0XA8,0XBA,0XC5,
0XA4,0XB1,0XBD,0XA1,0XAB,0XB5,0XA3,0XA9,0XB3,0XA8,0XAA,0XB4,0XB3,0XB3,0XBC,0XCA,
0XC9,0XD2,0XDB,0XDC,0XE4,0XBF,0XC1,0XC9,0XB5,0XBA,0XC1,0XAC,0XB6,0XBE,0XA9,0XB5,
0XBF,0XA9,0XB5,0XBF,0X2F,0X9F,0X5F,0X28,0X9A,0X5B,0X25,0X98,0X5C,0X26,0XA0,0X66,
0X26,0XA8,0X6F,0X20,0XA5,0X6F,0X1B,0X9C,0X69,0X15,0X85,0X57,0X25,0X7D,0X56,0X1A,
0X5D,0X3B,0X13,0X3C,0X23,0XBE,0XC9,0XC2,0XF8,0XFA,0XFA,0XF3,0XF4,0XF6,0XE3,0XE0,
0XE9,0XDC,0XD9,0XE4,0XCC,0XCC,0XDA,0XCB,0XCC,0XDA,0XBD,0XC2,0XD0,0XBB,0XC3,0XD0,
0XB6,0XC1,0XCD,0XA5,0XB6,0XBE,0XAD,0XC7,0XCB,0XA6,0XC8,0XC1,0X6E,0X98,0X87,0X3F,
0X6A,0X53,0X39,0X5F,0X4C,0X69,0X81,0X78,0X97,0XA8,0XA7,0XAD,0XBA,0XBD,0XB1,0XC4,
0XC6,0XAE,0XC6,0XC8,0XA8,0XBD,0XC6,0XA8,0XB9,0XC9,0XA8,0XB7,0XC7,0XAC,0XBB,0XCB,
0XB4,0XC0,0XCE,0XB8,0XC4,0XD0,0XC1,0XCB,0XD5,0XC1,0XC8,0XD1,0XC2,0XC9,0XD1,0XCD,
0XD3,0XDA,0XCF,0XD5,0XDC,0XD0,0XD8,0XDF,0XD4,0XDA,0XE1,0XDA,0XDD,0XE1,0XD5,0XDA,
0XD9,0XCD,0XDA,0XD4,0X99,0XB5,0XA8,0X39,0X65,0X4F,0X18,0X51,0X35,0X0D,0X4D,0X2E,
0X07,0X48,0X24,0X00,0X3C,0X18,0X02,0X39,0X1D,0X12,0X42,0X2B,0X18,0X46,0X2F,0X16,
0X3F,0X2A,0X15,0X39,0X29,0X1C,0X38,0X2E,0X2B,0X45,0X40,0X2D,0X43,0X42,0X51,0X64,
0X69,0XAA,0XBC,0XC4,0XCD,0XDB,0XE7,0XB2,0XBD,0XCC,0X95,0XA4,0XB4,0X91,0XA2,0XB3,
0X97,0XA7,0XB8,0X9B,0XA8,0XBA,0X8D,0X92,0XA5,0XA0,0XA0,0XB1,0XC7,0XC8,0XD6,0XD0,
0XD9,0XE1,0XA3,0XB4,0XBA,0X94,0XAA,0XB1,0X98,0XAD,0XBB,0X9A,0XAF,0XBE,0X9E,0XB2,
0XC1,0XA1,0XB4,0XC3,0XA5,0XB5,0XC5,0XA7,0XB6,0XC6,0XAC,0XBA,0XCA,0XB2,0XBF,0XCF,
0XB6,0XC0,0XD1,0XB6,0XC0,0XD1,0XB5,0XC3,0XD0,0XB1,0XC3,0XCE,0XB5,0XC2,0XCE,0XA9,
0XB3,0XBD,0X9C,0XA3,0XAD,0XAD,0XAF,0XBA,0XBA,0XBB,0XC5,0XCD,0XCC,0XD5,0XD9,0XD8,
0XE1,0XDE,0XDD,0XE6,0XC1,0XC1,0XCA,0XB3,0XBB,0XC4,0XB0,0XBD,0XC5,0XB3,0XC0,0XC8,
0X24,0X9E,0X5F,0X1D,0X98,0X59,0X1D,0X9B,0X5E,0X1F,0XA4,0X67,0X18,0XA3,0X69,0X0D,
0X9B,0X64,0X0B,0X93,0X5F,0X0D,0X84,0X55,0X20,0X81,0X58,0X21,0X6C,0X48,0X4D,0X7C,
0X62,0XE8,0XF2,0XEC,0XF3,0XF5,0XF5,0XF5,0XF6,0XF8,0XDE,0XDC,0XE2,0XE3,0XDF,0XEA,
0XD1,0XCF,0XDB,0XD1,0XD1,0XDE,0XC8,0XCC,0XD8,0XC4,0XCC,0XD7,0XB9,0XC6,0XCE,0XA7,
0XBC,0XBF,0X9E,0XBF,0XB8,0X7D,0XA7,0X95,0X4F,0X80,0X62,0X31,0X63,0X40,0X2D,0X57,
0X39,0X30,0X4E,0X3A,0X49,0X5E,0X55,0X50,0X63,0X60,0X67,0X7F,0X7C,0X8E,0XAD,0XAA,
0XA1,0XBC,0XC3,0XA7,0XBD,0XCD,0XA9,0XBF,0XCE,0XAC,0XBE,0XCE,0XB0,0XC1,0XCE,0XB6,
0XC5,0XD1,0XC2,0XCE,0XD8,0XC7,0XD0,0XD9,0XCA,0XD0,0XD8,0XCF,0XD5,0XDC,0XCC,0XD1,
0XD9,0XC8,0XD1,0XD6,0XC9,0XD2,0XD5,0XD3,0XD8,0XDB,0XD4,0XD9,0XDA,0XCB,0XD8,0XD4,
0X8F,0XAA,0XA0,0X25,0X4F,0X3F,0X0E,0X43,0X2E,0X05,0X40,0X27,0X05,0X3D,0X24,0X05,
0X39,0X20,0X0E,0X3B,0X2A,0X1D,0X46,0X3B,0X2A,0X50,0X47,0X2F,0X50,0X4C,0X35,0X52,
0X51,0X3D,0X57,0X5A,0X4A,0X60,0X67,0X5A,0X6D,0X77,0X65,0X75,0X82,0X88,0X98,0XA6,
0XB8,0XC6,0XD5,0XC5,0XCF,0XDC,0XA9,0XB8,0XC4,0X8C,0X9D,0XAC,0X8B,0X9E,0XAE,0X9D,
0XAA,0XBE,0X9F,0XA4,0XBA,0X9E,0X9E,0XB3,0XA7,0XA8,0XB9,0XBC,0XC3,0XCE,0XB2,0XC1,
0XC9,0XA3,0XB6,0XBF,0XA9,0XBC,0XC9,0XAC,0XBE,0XCB,0XAD,0XBF,0XCD,0XB2,0XC2,0XD0,
0XB4,0XC2,0XD1,0XB7,0XC5,0XD4,0XBC,0XC8,0XD7,0XC0,0XCB,0XDA,0XC1,0XCC,0XDB,0XC2,
0XCB,0XDB,0XC0,0XCD,0XDA,0XBB,0XCB,0XD5,0XBD,0XCA,0XD4,0XB5,0XBF,0XC9,0XA5,0XAD,
0XB7,0XAA,0XB0,0XB8,0XB6,0XB9,0XC1,0XC5,0XC5,0XCE,0XD1,0XD2,0XD9,0XDE,0XDE,0XE5,
0XD1,0XD1,0XD8,0XBF,0XC6,0XCE,0XB7,0XC4,0XCB,0XB9,0XC6,0XCC,0X15,0X8D,0X52,0X0C,
0X85,0X4B,0X0F,0X8B,0X51,0X15,0X98,0X5F,0X0D,0X96,0X5E,0X02,0X8D,0X57,0X00,0X84,
0X50,0X05,0X7E,0X4E,0X1D,0X7E,0X54,0X2E,0X7A,0X55,0X98,0XC5,0XAC,0XF4,0XFD,0XF8,
0XED,0XEF,0XEF,0XF6,0XF6,0XF8,0XDE,0XDC,0XE2,0XDE,0XDA,0XE5,0XD1,0XCF,0XDB,0XD1,
0XD1,0XDD,0XCA,0XCE,0XD8,0XC3,0XCB,0XD4,0XB9,0XC4,0XCC,0XA6,0XBD,0XBE,0X82,0XAB,
0X9E,0X49,0X7A,0X62,0X2F,0X65,0X41,0X29,0X60,0X37,0X29,0X57,0X32,0X29,0X4A,0X32,
0X1F,0X39,0X2C,0X0C,0X24,0X1F,0X0F,0X2D,0X2A,0X2C,0X4F,0X4B,0X47,0X69,0X6F,0X58,
0X76,0X84,0X63,0X7F,0X8D,0X70,0X8A,0X98,0X89,0XA0,0XAC,0XA4,0XB6,0XC1,0XBF,0XCF,
0XD8,0XC8,0XD3,0XDB,0XC9,0XD2,0XDA,0XCF,0XD5,0XDC,0XCD,0XD1,0XD8,0XCB,0XD3,0XD7,
0XCA,0XD2,0XD3,0XD0,0XD5,0XD6,0XD2,0XD6,0XD7,0XC3,0XCE,0XCD,0X85,0X9C,0X99,0X2F,
0X54,0X4D,0X27,0X53,0X4A,0X1F,0X4E,0X45,0X24,0X51,0X48,0X2D,0X54,0X4C,0X36,0X59,
0X56,0X45,0X65,0X66,0X54,0X73,0X76,0X60,0X7B,0X84,0X6A,0X82,0X8E,0X76,0X8C,0X9C,

0X75, 0X89, 0X9A, 0X84, 0X96, 0XA7, 0X96, 0XA6, 0XB7, 0X98, 0XA8, 0XB9, 0XAC, 0XBC, 0XC9, 0XC0, 0XCB, 0XD4, 0XBD, 0XCC, 0XD5, 0X94, 0XA6, 0XB4, 0X89, 0X9A, 0XAD, 0X95, 0XA2, 0XB8, 0XB0, 0XB5, 0XCD, 0XAE, 0XB0, 0XC7, 0X9E, 0X9F, 0XB3, 0XA5, 0XAB, 0XBA, 0XBC, 0XCA, 0XD4, 0XB2, 0XC3, 0XCD, 0XB6, 0XC6, 0XD2, 0XB8, 0XC7, 0XD4, 0XBB, 0XC8, 0XD6, 0XBC, 0XCA, 0XD6, 0XBD, 0XCB, 0XD7, 0XC1, 0XCC, 0XDA, 0XC3, 0XCE, 0XDB, 0XC3, 0XCF, 0XDB, 0XC5, 0XCE, 0XDB, 0XC4, 0XCD, 0XDB, 0XC2, 0XCD, 0XD8, 0XBE, 0XCB, 0XD3, 0XBF, 0XCB, 0XD4, 0XBF, 0XCA, 0XD2, 0XB0, 0XBA, 0XC1, 0XA8, 0XB1, 0XB7, 0XB6, 0XBC, 0XC2, 0XC1, 0XC5, 0XCA, 0XCD, 0XCF, 0XD5, 0XDC, 0XDD, 0XE1, 0XDB, 0XDB, 0XE0, 0XC7, 0XCE, 0XD3, 0XBB, 0XC7, 0XCC, 0XBB, 0XC7, 0XCC, 0X0B, 0X74, 0X41, 0X05, 0X6F, 0X3C, 0X0C, 0X7A, 0X47, 0X1A, 0X8F, 0X5B, 0X1B, 0X96, 0X64, 0X14, 0X94, 0X61, 0X0C, 0X89, 0X57, 0X13, 0X81, 0X53, 0X24, 0X7A, 0X50, 0X43, 0X85, 0X60, 0XC6, 0XED, 0XD3, 0XF2, 0XFB, 0XF4, 0XF9, 0XF9, 0XF9, 0XF0, 0XED, 0XF1, 0XE3, 0XDF, 0XE5, 0XDE, 0XD9, 0XE4, 0XD5, 0XD2, 0XDD, 0XD1, 0XD1, 0XDC, 0XC9, 0XCD, 0XD7, 0XC1, 0XC9, 0XD1, 0XB9, 0XC5, 0XCB, 0XAC, 0XC4, 0XC5, 0X82, 0XAD, 0XA2, 0X42, 0X75, 0X60, 0X2D, 0X65, 0X45, 0X27, 0X5E, 0X38, 0X22, 0X51, 0X2F, 0X22, 0X45, 0X30, 0X12, 0X2C, 0X23, 0X11, 0X2B, 0X29, 0X20, 0X40, 0X42, 0X32, 0X59, 0X5B, 0X3F, 0X67, 0X6F, 0X3D, 0X63, 0X71, 0X38, 0X5C, 0X69, 0X43, 0X64, 0X71, 0X6A, 0X86, 0X92, 0X91, 0XA8, 0XB3, 0XB8, 0XCB, 0XD3, 0XC1, 0XCE, 0XD6, 0XC3, 0XCB, 0XD3, 0XC9, 0XD0, 0XD7, 0XCD, 0XD0, 0XD7, 0XCA, 0XD2, 0XD3, 0XC9, 0XD1, 0XD0, 0XCF, 0XD4, 0XD4, 0XD0, 0XD4, 0XD5, 0XC3, 0XCC, 0XCF, 0X92, 0XA4, 0XA8, 0X5B, 0X77, 0X7B, 0X5D, 0X7E, 0X83, 0X58, 0X79, 0X80, 0X60, 0X7D, 0X86, 0X66, 0X80, 0X88, 0X6A, 0X86, 0X8B, 0X71, 0X8D, 0X93, 0X7A, 0X95, 0X9F, 0X83, 0X9C, 0XAB, 0X8B, 0XA1, 0XB4, 0X93, 0XA7, 0XBC, 0X98, 0XAB, 0XC0, 0X9A, 0XAE, 0XC0, 0XA2, 0XB4, 0XC4, 0XA8, 0XBA, 0XC8, 0XAC, 0XBD, 0XC7, 0XC3, 0XCD, 0XD4, 0XCA, 0XD9, 0XE1, 0XA4, 0XB6, 0XC3, 0X8B, 0X9D, 0XAF, 0X8D, 0X9B, 0XB2, 0XA3, 0XA8, 0XC2, 0XB5, 0XB5, 0XD0, 0XAE, 0XAE, 0XC4, 0X9D, 0XA2, 0XB3, 0XC0, 0XCB, 0XD7, 0XBF, 0XCE, 0XD7, 0XC1, 0XCF, 0XD8, 0XC3, 0XCF, 0XD9, 0XC4, 0XCF, 0XDA, 0XC5, 0XCF, 0XDA, 0XC5, 0XD0, 0XDA, 0XC4, 0XCD, 0XD8, 0XC4, 0XCD, 0XD8, 0XC4, 0XCD, 0XD7, 0XC3, 0XCC, 0XD7, 0XC2, 0XCB, 0XD6, 0XC2, 0XCC, 0XD4, 0XBF, 0XCA, 0XD1, 0XC1, 0XCB, 0XD2, 0XC5, 0XD0, 0XD5, 0XBD, 0XC8, 0XCC, 0XB4, 0XBF, 0XC2, 0XAE, 0XB7, 0XBA, 0XBD, 0XCF, 0XBC, 0XC8, 0XCC, 0X14, 0X6B, 0X3F, 0X14, 0X6D, 0X41, 0X1B, 0X78, 0X4C, 0X26, 0X89, 0X5B, 0X24, 0X91, 0X63, 0X21, 0X92, 0X64, 0X17, 0X86, 0X57, 0X1E, 0X7E, 0X52, 0X2C, 0X77, 0X4E, 0X60, 0X94, 0X6F, 0XE3, 0XFF, 0XE7, 0XF7, 0XFD, 0XF8, 0XF8, 0XF8, 0XE8, 0XE7, 0XEB, 0XE1, 0XDD, 0XE3, 0XDD, 0XD8, 0XE1, 0XD7, 0XD3, 0XDD, 0XD3, 0XD3, 0XDD, 0XCE, 0XD2, 0XDB, 0XC3, 0XCB, 0XD2, 0XB9, 0XC4, 0XC9, 0XA7, 0XC1, 0XC2, 0X77, 0XA4, 0X9D, 0X47, 0X7C, 0X6B, 0X37, 0X71, 0X55, 0X29, 0X61, 0X40, 0X23, 0X52, 0X36, 0X1D, 0X41, 0X2F, 0X19, 0X34, 0X31, 0X32, 0X4D, 0X53, 0X4E, 0X6D, 0X77, 0X60, 0X87, 0X90, 0X63, 0X8E, 0X9B, 0X5D, 0X8A, 0X97, 0X5D, 0X89, 0X94, 0X66, 0X8B, 0X97, 0X72, 0X93, 0X9D, 0X7E, 0X99, 0XA3, 0XB3, 0XC8, 0XD0, 0XC1, 0XCE, 0XD6, 0XC1, 0XCA, 0XD2, 0XC5, 0XCB, 0XD2, 0XC7, 0XCB, 0XD1, 0XC1, 0XC8, 0XC8, 0XC3, 0XCB, 0XC9, 0XCB, 0XD0, 0XD0, 0XCD, 0XCF, 0XD1, 0XC9, 0XCE, 0XD5, 0XA7, 0XB4, 0XBD, 0X8B, 0XA0, 0XAB, 0X90, 0XA9, 0XBA, 0X8F, 0XA5, 0XB9, 0X96, 0XA7, 0XBE, 0X94, 0XA2, 0XB9, 0X8E, 0XA5, 0XB0, 0X8E, 0XA6, 0XAF, 0X90, 0XA7, 0XB4, 0X93, 0XA9, 0XBB, 0X95, 0XAA, 0XBF, 0X95, 0XAA, 0XC0, 0X9B, 0XB0, 0XC5, 0XA3, 0XB7, 0XC8, 0XA5, 0XB8, 0XC5, 0XAF, 0XC3, 0XCC, 0XBD, 0XD0, 0XD5, 0XC8, 0XD3, 0XD7, 0XCD, 0XDD, 0XE3, 0XB4, 0XC7, 0XD3, 0X94, 0XA8, 0XB9, 0X8D, 0X9C, 0XB4, 0X98, 0X9E, 0XBA, 0XA9, 0XAA, 0XC5, 0XB3, 0XB3, 0XCB, 0XA3, 0XA8, 0XBA, 0XC8, 0XD3, 0XDF, 0XC5, 0XD1, 0XDB, 0XC5, 0XD0, 0XD8, 0XC6, 0XCF, 0XD8, 0XC6, 0XCF, 0XD8, 0XC6, 0XCF, 0XD8, 0XC6, 0XCF, 0XD8, 0XC7, 0XD0, 0XD9, 0XC8, 0XCF, 0XD8, 0XC7, 0XCE, 0XD7, 0XC7, 0XCE, 0XD7, 0XC7, 0XCE, 0XD7, 0XC7, 0XCF, 0XD6, 0XC5, 0XCE, 0XD2, 0XC4, 0XCD, 0XD1, 0XC7, 0XD2, 0XD6, 0XC7, 0XD3, 0XD5, 0XC1, 0XCD, 0XCF, 0XAB, 0XB4, 0XB6, 0XB6, 0XBE, 0XBE, 0XC0, 0XC7, 0XC8, 0XCB, 0XD1, 0XD0, 0XD8, 0XDD, 0XDD, 0XD7, 0XDF, 0XE1, 0XC6, 0XD1, 0XD6, 0XBF, 0XCA, 0XCE, 0X11, 0X7B, 0X4C, 0X17, 0X7B, 0X4D, 0X22, 0X7F, 0X54, 0X2A, 0X83, 0X5B, 0X26, 0X81, 0X5B, 0X25, 0X85, 0X5E, 0X15, 0X76, 0X50, 0X24, 0X78, 0X54, 0X3A, 0X78, 0X56, 0X86, 0XAB, 0X8C, 0XF6, 0XFF, 0XF1, 0XF5, 0XF7, 0XF4, 0XF0, 0XEE, 0XEF, 0XE7, 0XE5, 0XE9, 0XDB, 0XD9, 0XDE, 0XD5, 0XD3, 0XDA, 0XD4, 0XD3, 0XDA, 0XD0, 0XD1, 0XDA, 0XCD, 0XD2, 0XDB, 0XC4, 0XCB, 0XD2, 0XBB, 0XC4, 0XCA, 0X97, 0XB1, 0XB2, 0X5E, 0X8F, 0X86, 0X49, 0X7C, 0X70, 0X3F, 0X72, 0X61, 0X35, 0X64, 0X53, 0X33, 0X5B, 0X4E, 0X30, 0X4F, 0X4B, 0X3C, 0X57, 0X5A, 0X5A, 0X73, 0X7D, 0X72, 0X8C, 0X99, 0X80, 0X9F, 0XAD, 0X86, 0XA8, 0XB6, 0X81, 0XA4, 0XB3, 0X7C, 0X9D, 0XAC, 0X81, 0X9F, 0XAD, 0X8D, 0XA8, 0XB5, 0X99, 0XAF, 0XBB, 0XB4, 0XC6, 0XD1, 0XC4, 0XD0, 0XDB, 0XBF, 0XC9, 0XD2, 0XC2, 0XC9, 0XD2, 0XBE, 0XC5, 0XCE, 0XBB, 0XC4, 0XC8, 0XC2, 0XC9, 0XCC, 0XC5, 0XCA, 0XD0, 0XC8, 0XCB, 0XD3, 0XC7, 0XCB, 0XD6, 0XB5, 0XBC, 0XCB, 0XAE, 0XB9, 0XCA, 0XB1, 0XBF, 0XD2, 0XB0, 0XBF, 0XD4, 0XB2, 0XC0, 0XD5, 0XAE,

0XBB,0XD1,0XAF,0XBD,0XCA,0XAF,0XBE,0XC8,0XB1,0XBF,0XCC,0XB2,0XC0,0XCF,0XB2,0XC0,
0XD1,0XB0,0XBE,0XD1,0XAA,0XB8,0XCA,0XAB,0XB8,0XC9,0XAD,0XBB,0XCA,0XAE,0XBB,0XC7,
0XB3,0XC0,0XC8,0XBC,0XC8,0XCA,0XC9,0XD6,0XDA,0XC6,0XD5,0XE0,0XA4,0XB4,0XC4,0X8F,
0X9D,0XB1,0X95,0X9F,0XB7,0XA5,0XAC,0XC2,0XAB,0XB1,0XC3,0XA9,0XB1,0XBF,0XC6,0XD2,
0XDA,0XC2,0XCE,0XD6,0XC8,0XD3,0XDB,0XCA,0XD4,0XDC,0XCB,0XD5,0XDE,0XCD,0XD7,0XDF,
0XCD,0XD7,0XE0,0XC8,0XD2,0XDB,0XCA,0XD3,0XDC,0XC9,0XD3,0XDB,0XC9,0XD2,0XDB,0XC8,
0XD0,0XD9,0XC9,0XD0,0XD9,0XC9,0XD1,0XD6,0XC9,0XD0,0XD6,0XCA,0XD2,0XD6,0XCA,0XD3,
0XD6,0XC8,0XD0,0XD3,0XB2,0XBA,0XBE,0XB8,0XBF,0XC4,0XBD,0XC3,0XC8,0XBC,0XC1,0XC7,
0XC9,0XCE,0XD5,0XCF,0XD7,0XDE,0XC2,0XCC,0XD4,0XC0,0XCB,0XD2,0X03,0X84,0X51,0X10,
0X82,0X53,0X1E,0X7C,0X54,0X26,0X76,0X52,0X24,0X71,0X51,0X1F,0X72,0X54,0X0E,0X64,
0X46,0X21,0X6E,0X50,0X35,0X69,0X4E,0XA6,0XBE,0XA6,0XFF,0XFF,0XF5,0XFA,0XF8,0XF7,
0XF2,0XEE,0XF3,0XE2,0XE0,0XE4,0XD7,0XD6,0XDA,0XD7,0XD7,0XDD,0XD9,0XDC,0XE1,0XD1,
0XD6,0XDB,0XCB,0XD1,0XD8,0XC3,0XC9,0XD0,0XBD,0XC5,0XCC,0X8F,0XAA,0XA9,0X58,0X8A,
0X81,0X4F,0X80,0X78,0X48,0X72,0X6D,0X43,0X6A,0X66,0X44,0X63,0X65,0X4E,0X6B,0X70,
0X5E,0X75,0X7F,0X73,0X89,0X94,0X89,0XA0,0XAC,0X9B,0XB1,0XC0,0X9F,0XB6,0XC5,0XA0,
0XB6,0XC8,0XA2,0XB7,0XC9,0XA5,0XB9,0XCA,0XA7,0XB9,0XC9,0XA8,0XB8,0XC8,0XB9,0XC7,
0XD5,0XC7,0XD3,0XDF,0XBB,0XC5,0XD2,0XBE,0XC7,0XD4,0XBA,0XC4,0XCE,0XBA,0XC3,0XCC,
0XBF,0XC6,0XD0,0XC0,0XC6,0XD1,0XC7,0XCA,0XD6,0XC8,0XCB,0XD9,0XC1,0XC4,0XD4,0XC2,
0XC6,0XD7,0XC1,0XC8,0XD9,0XC0,0XC9,0XDC,0XBD,0XCA,0XDC,0XBC,0XCB,0XDB,0XC1,0XCA,
0XD7,0XC3,0XCD,0XD7,0XC6,0XCF,0XD9,0XC8,0XD0,0XDD,0XC9,0XD1,0XDE,0XC5,0XCD,0XDB,
0XC3,0XCA,0XD9,0XC1,0XC8,0XD7,0XC1,0XC8,0XD9,0XC1,0XC8,0XD8,0XC2,0XCB,0XD5,0XBF,
0XCB,0XCD,0XC6,0XD2,0XD4,0XCF,0XDB,0XE2,0XB2,0XBF,0XCD,0X95,0XA3,0XB3,0X8C,0X9A,
0XAD,0XA1,0XAD,0XBE,0XA4,0XB1,0XBD,0XAD,0XB7,0XC0,0XBC,0XC7,0XCB,0XB6,0XC1,0XC5,
0XB5,0XBF,0XC7,0XB6,0XBF,0XC8,0XB6,0XC0,0XC8,0XB6,0XC0,0XC8,0XB6,0XC1,0XC9,0XC0,
0XC9,0XD2,0XC0,0XCA,0XD3,0XC2,0XCD,0XD5,0XC7,0XD1,0XD9,0XCA,0XD3,0XDC,0XCB,0XD3,
0XDC,0XCE,0XD3,0XDC,0XCF,0XD5,0XDC,0XD0,0XD6,0XDB,0XCF,0XD5,0XDA,0XCE,0XD5,0XD8,
0XBC,0XC2,0XC7,0XAA,0XAF,0XB8,0XB6,0XBA,0XC5,0XB4,0XB7,0XC4,0XB2,0XB6,0XC4,0XB6,
0XBE,0XCB,0XC5,0XCF,0XD9,0XBF,0XC9,0XD3,0X02,0X77,0X4D,0X11,0X79,0X52,0X1B,0X71,
0X4F,0X1A,0X63,0X46,0X15,0X5C,0X43,0X0C,0X57,0X3F,0X08,0X55,0X3D,0X1B,0X5E,0X47,
0X29,0X55,0X41,0XC3,0XD4,0XC5,0XFD,0XFD,0XF4,0XF7,0XF4,0XF6,0XEE,0XEA,0XEF,0XDB,
0XD9,0XDE,0XD0,0XD0,0XD4,0XD6,0XD7,0XDD,0XD6,0XDA,0XDF,0XCE,0XD3,0XD9,0XCA,0XD0,
0XD7,0XC0,0XC7,0XD0,0XBC,0XC3,0XCC,0X93,0XAB,0XAE,0X67,0X94,0X8F,0X65,0X8F,0X8C,
0X64,0X8A,0X89,0X66,0X86,0X88,0X6A,0X85,0X89,0X74,0X8A,0X91,0X7B,0X8E,0X99,0X86,
0X98,0XA3,0X93,0XA6,0XB3,0XA0,0XB3,0XC0,0XA8,0XBC,0XCC,0XAF,0XC2,0XD3,0XB5,0XC7,
0XD8,0XB8,0XC8,0XDA,0XB9,0XC8,0XD8,0XB7,0XC5,0XD4,0XC1,0XCC,0XDA,0XCC,0XD6,0XE3,
0XBF,0XC8,0XD4,0XBD,0XC5,0XCF,0XBB,0XC2,0XCD,0XB9,0XC3,0XCB,0XBD,0XC7,0XCE,0XC2,
0XC9,0XD2,0XC8,0XCD,0XD6,0XCC,0XCE,0XD8,0XC9,0XCC,0XD8,0XCA,0XCE,0XDC,0XC9,0XCF,
0XDE,0XC6,0XCF,0XDF,0XC2,0XCF,0XDE,0XC1,0XCE,0XDD,0XC7,0XCF,0XDC,0XCB,0XD1,0XDC,
0XCE,0XD4,0XDF,0XD0,0XD6,0XE1,0XD1,0XD7,0XE2,0XD1,0XD7,0XE2,0XD1,0XD7,0XE3,0XD3,
0XD9,0XE5,0XD4,0XD9,0XE6,0XD3,0XD9,0XE6,0XD2,0XD9,0XE3,0XCF,0XD9,0XDB,0XD3,0XDE,
0XE1,0XD4,0XDF,0XE7,0XBB,0XC5,0XD2,0X99,0XA5,0XB6,0X90,0X9C,0XAE,0X98,0XA3,0XB4,
0XB1,0XBA,0XC7,0XC4,0XCE,0XD6,0XC7,0XD0,0XD4,0XC2,0XCB,0XD0,0XC1,0XC8,0XD1,0XBF,
0XC5,0XCE,0XBB,0XC2,0XCB,0XB6,0XBE,0XC7,0XB5,0XBC,0XC5,0XB3,0XB9,0XC2,0XB0,0XB6,
0XBF,0XAC,0XB4,0XBD,0XAD,0XB4,0XBD,0XAF,0XB5,0XBE,0XB1,0XB6,0XBF,0XB0,0XB5,0XBE,
0XB0,0XB6,0XBD,0XB1,0XB7,0XBC,0XB3,0XBA,0XBE,0XB5,0XBC,0XBF,0XB7,0XBD,0XC2,0XA5,
0XAA,0XB3,0XA7,0XAB,0XB6,0XAE,0XB1,0XBF,0XB5,0XB9,0XC7,0XB8,0XBF,0XCC,0XB7,0XC1,
0XCB,0XBB,0XC5,0XCF,0X01,0X62,0X44,0X0A,0X63,0X46,0X19,0X62,0X4A,0X1E,0X5C,0X49,
0X15,0X50,0X41,0X09,0X49,0X3A,0X0C,0X4D,0X3E,0X19,0X50,0X42,0X34,0X57,0X4B,0XDC,
0XE6,0XDD,0XFC,0XF9,0XF4,0XF4,0XF1,0XF4,0XE8,0XE7,0XEB,0XD7,0XD6,0XDB,0XCE,0XCE,
0XD4,0XD6,0XD7,0XDD,0XCE,0XD1,0XD9,0XC9,0XCD,0XD6,0XC9,0XCE,0XD7,0XBE,0XC5,0XCE,
0XB5,0XBD,0XC6,0X97,0XAB,0XB1,0X84,0XA7,0XAB,0X86,0XA8,0XAD,0X8B,0XA9,0XAE,0X93,
0XAB,0XB1,0X97,0XAB,0XB3,0X99,0XAA,0XB3,0X99,0XA8,0XB3,0X9B,0XA9,0XB5,0X9F,0XAD,
0XB9,0XA2,0XB2,0XBE,0XAB,0XBA,0XC9,0XB1,0XC1,0XD1,0XB9,0XC8,0XD8,0XBF,0XCC,0XDC,
0XC0,0XCC,0XDB,0XC2,0XCB,0XD9,0XC4,0XCC,0XDA,0XD0,0XD8,0XE5,0XC5,0XCC,0XD8,0XBF,
0XC3,0XCE,0XBC,0XC2,0XCC,0XBB,0XC4,0XCC,0XBE,0XC8,0XCC,0XC3,0XCC,0XD2,0XC9,0XCF,

0XD6, 0XCD, 0XD1, 0XD9, 0XCF, 0XD2, 0XDC, 0XCE, 0XD2, 0XDD, 0XCC, 0XD3, 0XDE, 0XCA, 0XD3, 0XDF, 0XC6, 0XD3, 0XDF, 0XC5, 0XD2, 0XDE, 0XC9, 0XCF, 0XDA, 0XCC, 0XD0, 0XDB, 0XCF, 0XD3, 0XDE, 0XD0, 0XD5, 0XDE, 0XD1, 0XD6, 0XDF, 0XD1, 0XD6, 0XDF, 0XD3, 0XD8, 0XE1, 0XD6, 0XDB, 0XE4, 0XD7, 0XDC, 0XE5, 0XD6, 0XDB, 0XE4, 0XD5, 0XDB, 0XE2, 0XD7, 0XDE, 0XE1, 0XE5, 0XEB, 0XF0, 0XD8, 0XDF, 0XE8, 0XB9, 0XC0, 0XCE, 0X9C, 0XA5, 0XB6, 0X95, 0X9E, 0XAF, 0X99, 0XA1, 0XB1, 0XBD, 0XC4, 0XCF, 0XD9, 0XE0, 0XE8, 0XD9, 0XDF, 0XE4, 0XDB, 0XE0, 0XE6, 0XDA, 0XE0, 0XE7, 0XD9, 0XDC, 0XE4, 0XD5, 0XD9, 0XE0, 0XD1, 0XD6, 0XDD, 0XCF, 0XD4, 0XDC, 0XD0, 0XD3, 0XDB, 0XCD, 0XD1, 0XD9, 0XC8, 0XCE, 0XD5, 0XC2, 0XC7, 0XCE, 0XBC, 0XBF, 0XC7, 0XB4, 0XBA, 0XC2, 0XAD, 0XB2, 0XBB, 0XA3, 0XA9, 0XB0, 0X98, 0X9E, 0XA4, 0X91, 0X97, 0X9C, 0X8E, 0X95, 0X98, 0X8B, 0X91, 0X96, 0XA8, 0XAD, 0XB5, 0XA6, 0XAA, 0XB5, 0XAE, 0XB1, 0XBF, 0XA2, 0XA6, 0XB4, 0X81, 0X88, 0X95, 0X77, 0X80, 0X8A, 0X8D, 0X96, 0XA0, 0X0C, 0X59, 0X47, 0X0F, 0X56, 0X45, 0X1D, 0X58, 0X4C, 0X2D, 0X5E, 0X56, 0X31, 0X61, 0X5B, 0X2D, 0X61, 0X5B, 0X28, 0X5B, 0X55, 0X28, 0X51, 0X4C, 0X5F, 0X77, 0X73, 0XEA, 0XEF, 0XED, 0XF8, 0XF3, 0XF4, 0XF4, 0XF0, 0XF5, 0XE5, 0XE3, 0XE8, 0XD7, 0XD6, 0XDC, 0XD3, 0XD3, 0XD9, 0XD5, 0XD7, 0XDD, 0XD0, 0XD3, 0XDB, 0XCA, 0XCF, 0XD7, 0XC8, 0XCF, 0XD8, 0XBE, 0XC5, 0XCF, 0XB6, 0XBF, 0XC8, 0XA1, 0XB2, 0XBC, 0X9F, 0XB9, 0XC4, 0XA2, 0XBA, 0XC6, 0XA8, 0XBC, 0XC8, 0XAE, 0XBD, 0XCA, 0XB2, 0XBE, 0XCA, 0XB0, 0XBB, 0XC6, 0XB0, 0XBA, 0XC5, 0XB0, 0XB9, 0XC5, 0XB0, 0XBA, 0XC5, 0XB0, 0XBB, 0XC6, 0XB0, 0XBB, 0XC8, 0XB1, 0XBC, 0XCA, 0XB5, 0XBF, 0XCD, 0XB8, 0XC1, 0XCE, 0XB8, 0XC0, 0XCE, 0XB8, 0XBF, 0XCB, 0XC0, 0XC6, 0XD2, 0XD2, 0XD7, 0XE3, 0XCC, 0XCF, 0XDB, 0XC0, 0XC3, 0XCE, 0XBE, 0XC1, 0XCC, 0XC0, 0XC8, 0XCE, 0XBF, 0XCA, 0XCD, 0XC6, 0XCF, 0XD3, 0XCA, 0XD0, 0XD6, 0XCD, 0XD0, 0XD7, 0XD4, 0XD8, 0XDE, 0XD3, 0XD9, 0XDF, 0XD4, 0XD9, 0XE2, 0XD1, 0XDA, 0XE2, 0XCF, 0XDB, 0XE2, 0XCF, 0XDA, 0XE2, 0XD1, 0XD6, 0XE0, 0XD4, 0XD7, 0XE2, 0XD5, 0XD8, 0XE2, 0XD4, 0XD8, 0XE2, 0XD4, 0XD8, 0XE0, 0XD3, 0XD7, 0XDF, 0XD3, 0XD8, 0XDE, 0XD3, 0XD8, 0XDE, 0XD3, 0XD8, 0XDE, 0XD3, 0XD8, 0XDD, 0XD4, 0XD8, 0XDD, 0XDD, 0XE0, 0XE5, 0XE6, 0XE9, 0XF1, 0XCD, 0XD1, 0XDB, 0XB2, 0XB8, 0XC4, 0X9C, 0XA3, 0XB2, 0X95, 0X9B, 0XAB, 0XA2, 0XA8, 0XB6, 0XC7, 0XCB, 0XD6, 0XDA, 0XDE, 0XE6, 0XD9, 0XDD, 0XE2, 0XDC, 0XE0, 0XE4, 0XDC, 0XDF, 0XE7, 0XDB, 0XDE, 0XE6, 0XDA, 0XDD, 0XE5, 0XD9, 0XDC, 0XE4, 0XD9, 0XDB, 0XE3, 0XD5, 0XD7, 0XDF, 0XD6, 0XD9, 0XE1, 0XD7, 0XDA, 0XE2, 0XD5, 0XD8, 0XE0, 0XD3, 0XD5, 0XD0, 0XD4, 0XDC, 0XCD, 0XD2, 0XDB, 0XCA, 0XD0, 0XD7, 0XC7, 0XCD, 0XD2, 0XC4, 0XCA, 0XCE, 0XC2, 0XC9, 0XCC, 0XBF, 0XC5, 0XCA, 0XC1, 0XC6, 0XCF, 0XAD, 0XB2, 0XBC, 0XB5, 0XB8, 0XC6, 0XAF, 0XB3, 0XC2, 0X7C, 0X82, 0X8F, 0X7E, 0X87, 0X91, 0X85, 0X8E, 0X98, 0X41, 0X7A, 0X72, 0X42, 0X76, 0X71, 0X47, 0X73, 0X71, 0X57, 0X7D, 0X7F, 0X6D, 0X93, 0X96, 0X76, 0X9D, 0XA0, 0X64, 0X8A, 0X8C, 0X51, 0X6D, 0X6F, 0X98, 0XA7, 0XA9, 0XF8, 0XF9, 0XFC, 0XFC, 0XF5, 0XFA, 0XED, 0XEA, 0XF0, 0XDB, 0XD9, 0XDF, 0XD3, 0XD3, 0XD9, 0XD1, 0XD4, 0XD9, 0XCE, 0XD0, 0XD8, 0XCD, 0XD3, 0XDA, 0XC7, 0XCD, 0XD5, 0XC5, 0XCC, 0XD5, 0XC1, 0XCA, 0XD4, 0XC6, 0XCF, 0XD9, 0XB6, 0XC3, 0XD0, 0XB2, 0XC4, 0XD4, 0XB6, 0XC4, 0XD6, 0XBA, 0XC5, 0XD7, 0XBE, 0XC6, 0XD6, 0XBF, 0XC5, 0XD4, 0XC4, 0XC8, 0XD6, 0XC6, 0XCA, 0XD6, 0XC8, 0XCC, 0XD7, 0XC8, 0XCE, 0XD8, 0XC8, 0XCF, 0XD8, 0XC4, 0XCB, 0XD5, 0XC0, 0XC9, 0XD3, 0XC1, 0XC7, 0XD2, 0XBE, 0XC4, 0XD1, 0XBC, 0XC2, 0XCD, 0XBD, 0XC1, 0XCC, 0XBC, 0XC0, 0XCB, 0XD3, 0XD5, 0XE0, 0XD0, 0XD2, 0XDD, 0XC3, 0XC5, 0XD0, 0XC0, 0XC1, 0XCC, 0XC3, 0XCB, 0XCF, 0XC1, 0XCC, 0XCE, 0XC8, 0XD1, 0XD4, 0XC9, 0XCF, 0XD4, 0XCC, 0XD0, 0XD5, 0XD5, 0XD9, 0XDE, 0XD5, 0XD9, 0XDE, 0XD6, 0XDA, 0XDF, 0XD4, 0XDC, 0XE1, 0XD3, 0XDE, 0XE2, 0XD3, 0XDE, 0XE2, 0XD9, 0XDE, 0XE7, 0XDB, 0XDD, 0XE7, 0XDA, 0XDC, 0XE6, 0XD8, 0XDA, 0XE4, 0XD7, 0XDA, 0XE2, 0XD8, 0XDC, 0XE2, 0XD9, 0XDD, 0XE2, 0XD6, 0XDA, 0XDF, 0XD5, 0XDA, 0XDD, 0XD5, 0XDA, 0XDD, 0XD8, 0XDB, 0XE0, 0XED, 0XED, 0XF6, 0XE4, 0XE3, 0XED, 0XBF, 0XC0, 0XCD, 0XAA, 0XAD, 0XBB, 0X95, 0X99, 0XA8, 0X8C, 0X91, 0XA0, 0XA8, 0XAD, 0XBA, 0XCF, 0XD1, 0XDC, 0XDA, 0XDC, 0XE3, 0XD8, 0XD9, 0XDE, 0XDA, 0XDB, 0XDF, 0XD4, 0XD5, 0XDD, 0XD3, 0XD5, 0XDD, 0XD3, 0XD5, 0XDD, 0XD2, 0XD4, 0XDC, 0XD2, 0XD4, 0XDC, 0XD5, 0XD7, 0XDF, 0XD2, 0XD4, 0XDC, 0XCE, 0XD0, 0XD8, 0XCC, 0XCE, 0XD6, 0XCD, 0XCF, 0XD7, 0XCD, 0XCF, 0XD8, 0XCB, 0XD0, 0XD9, 0XCD, 0XD3, 0XDA, 0XCD, 0XD3, 0XD8, 0XCB, 0XD2, 0XD6, 0XC9, 0XD0, 0XD3, 0XCA, 0XD0, 0XD5, 0XCE, 0XD3, 0XDC, 0XB4, 0XB8, 0XC3, 0X92, 0X95, 0XA3, 0X9D, 0XA0, 0XAE, 0X9E, 0XA4, 0XB1, 0X7F, 0X88, 0X92, 0X90, 0X99, 0XA3, 0X88, 0XAC, 0XAE, 0X8F, 0XB1, 0XB4, 0X8A, 0XA9, 0XAE, 0X8B, 0XA7, 0XAF, 0XA4, 0XBE, 0XC9, 0XB1, 0XCB, 0XD4, 0XA5, 0XBD, 0XC6, 0X8A, 0X9B, 0XA3, 0XEA, 0XEF, 0XF7, 0XFC, 0XF7, 0XFD, 0XFA, 0XF2, 0XF9, 0XE8, 0XE7, 0XED, 0XDF, 0XDF, 0XE5, 0XD2, 0XD3, 0XDA, 0XCD, 0XCE, 0XD6, 0XD1, 0XD3, 0XDD, 0XCA, 0XCE, 0XD7, 0XC4, 0XCA, 0XD4, 0XC6, 0XCE, 0XD8, 0XCE, 0XD7, 0XE1, 0XCC, 0XD6, 0XE0, 0XC5, 0XD0, 0XDE, 0XC2, 0XCE, 0XE1, 0XC4, 0XCC, 0XE0, 0XC7, 0XCD, 0XE0, 0XCC, 0XCF, 0XE1, 0XD1, 0XD2, 0XE1, 0XD4, 0XD5, 0XE3, 0XD6, 0XD7, 0XE3, 0XD8, 0XD9, 0XE4, 0XD7, 0XDA, 0XE4, 0XD6, 0XDB, 0XE3, 0XD5, 0XDB, 0XE3, 0XD4, 0XDB, 0XE3, 0XD3, 0XD8, 0XE0, 0XD0, 0XD5, 0XDF, 0XCF, 0XD4, 0XDD, 0XCF, 0XD1, 0XDB, 0XD1, 0XD3, 0XDD, 0XDC, 0XDD, 0XE7,

0XCF, 0XD0, 0XDA, 0XC5, 0XC6, 0XD0, 0XC1, 0XC2, 0XCD, 0XBF, 0XC8, 0XCF, 0XC0, 0XCB, 0XCF, 0XC1, 0XCA, 0XCE, 0XC6, 0XCC, 0XD1, 0XCD, 0XD2, 0XD6, 0XCF, 0XD2, 0XD6, 0XCD, 0XD1, 0XD5, 0XCF, 0XD4, 0XD7, 0XD3, 0XDB, 0XDE, 0XD5, 0XE0, 0XE2, 0XD6, 0XDF, 0XE2, 0XD6, 0XDB, 0XE3, 0XD7, 0XD9, 0XE2, 0XD7, 0XDA, 0XE2, 0XD7, 0XDA, 0XE2, 0XD7, 0XDA, 0XE2, 0XD6, 0XD9, 0XE0, 0XD7, 0XDB, 0XE1, 0XD8, 0XDC, 0XE2, 0XD7, 0XDB, 0XE1, 0XDF, 0XE3, 0XE9, 0XEE, 0XF1, 0XF8, 0XE5, 0XE3, 0XEF, 0XCE, 0XCB, 0XD9, 0XBA, 0XBA, 0XC8, 0X9E, 0XA1, 0XAF, 0X8F, 0X92, 0XA0, 0XA3, 0XA6, 0XB4, 0XC4, 0XC7, 0XD3, 0XD6, 0XD9, 0XE2, 0XD3, 0XD5, 0XDB, 0XD3, 0XD3, 0XD7, 0XD0, 0XD1, 0XD5, 0XCF, 0XCF, 0XD5, 0XCE, 0XCE, 0XD4, 0XCE, 0XCE, 0XD4, 0XCE, 0XCE, 0XD4, 0XCF, 0XCF, 0XD5, 0XCC, 0XCC, 0XD2, 0XCA, 0XCA, 0XD0, 0XCA, 0XCA, 0XD0, 0XCB, 0XCB, 0XD1, 0XCA, 0XCA, 0XD0, 0XC7, 0XC9, 0XD1, 0XC5, 0XCA, 0XD3, 0XC6, 0XCC, 0XD3, 0XC7, 0XCD, 0XD2, 0XC7, 0XCD, 0XD1, 0XC6, 0XCD, 0XD0, 0XC4, 0XCA, 0XCF, 0XC6, 0XCC, 0XD4, 0XC0, 0XC5, 0XCF, 0XAB, 0XAE, 0XBC, 0X80, 0X83, 0X92, 0X7A, 0X7F, 0X8C, 0X87, 0X8D, 0X98, 0XAD, 0XB3, 0XBE, 0XB1, 0XC3, 0XCB, 0XB4, 0XC8, 0XD0, 0XB2, 0XC6, 0XD1, 0XB2, 0XC8, 0XD4, 0XC1, 0XD4, 0XE1, 0XC9, 0XDB, 0XE8, 0XC1, 0XCF, 0XDB, 0XC3, 0XCA, 0XD4, 0XF6, 0XF5, 0XFF, 0XFD, 0XF7, 0XFC, 0XF8, 0XF0, 0XF7, 0XE9, 0XE7, 0XF0, 0XDB, 0XDD, 0XE5, 0XD2, 0XD4, 0XDC, 0XCE, 0XD0, 0XD8, 0XCB, 0XCE, 0XD8, 0XC3, 0XC7, 0XD2, 0XC7, 0XCD, 0XD8, 0XCF, 0XD7, 0XE2, 0XD4, 0XDC, 0XE9, 0XD3, 0XDC, 0XE9, 0XD0, 0XD9, 0XE7, 0XCF, 0XD7, 0XE8, 0XD0, 0XD6, 0XE8, 0XD4, 0XD6, 0XE8, 0XD8, 0XD8, 0XE8, 0XDD, 0XDA, 0XEA, 0XE1, 0XDF, 0XED, 0XE1, 0XE0, 0XEC, 0XDF, 0XE0, 0XEA, 0XDD, 0XE0, 0XE8, 0XDC, 0XDF, 0XE7, 0XDC, 0XE0, 0XE6, 0XDD, 0XE1, 0XE6, 0XDC, 0XE1, 0XE6, 0XDD, 0XE0, 0XE9, 0XDD, 0XE0, 0XE9, 0XDE, 0XE1, 0XE9, 0XDE, 0XE1, 0XE9, 0XE2, 0XE4, 0XEE, 0XCE, 0XD0, 0XDA, 0XBF, 0XC1, 0XCB, 0XBE, 0XC1, 0XCB, 0XBC, 0XC6, 0XCD, 0XBA, 0XC6, 0XCC, 0XBC, 0XC4, 0XCB, 0XC1, 0XC7, 0XCD, 0XC7, 0XCB, 0XD0, 0XC8, 0XCA, 0XCF, 0XBD, 0XC0, 0XC5, 0XBD, 0XC0, 0XC4, 0XC2, 0XC7, 0XCA, 0XC7, 0XCE, 0XD1, 0XCB, 0XD2, 0XD5, 0XD8, 0XDE, 0XE3, 0XD9, 0XDF, 0XE4, 0XD9, 0XDF, 0XE4, 0XD5, 0XDB, 0XE2, 0XD0, 0XD6, 0XDD, 0XD3, 0XD9, 0XE0, 0XDF, 0XE4, 0XED, 0XE2, 0XE7, 0XF0, 0XE1, 0XE6, 0XEF, 0XE2, 0XE6, 0XF0, 0XDB, 0XDD, 0XE8, 0XCB, 0XC8, 0XD8, 0XBB, 0XB8, 0XC8, 0XB0, 0XB0, 0XBF, 0X91, 0X93, 0XA1, 0XA4, 0XA8, 0XB5, 0XC5, 0XCB, 0XD7, 0XCC, 0XD2, 0XDB, 0XCC, 0XD0, 0XD8, 0XCC, 0XCF, 0XD4, 0XCC, 0XCD, 0XD1, 0XC7, 0XC8, 0XCD, 0XC8, 0XCA, 0XD0, 0XC7, 0XCA, 0XCF, 0XC6, 0XC9, 0XCE, 0XC6, 0XC8, 0XCD, 0XC6, 0XC8, 0XCD, 0XC2, 0XC5, 0XCA, 0XC0, 0XC3, 0XC8, 0XC1, 0XC3, 0XC8, 0XC3, 0XC6, 0XCB, 0XC2, 0XC5, 0XCA, 0XC3, 0XC6, 0XCD, 0XC1, 0XC6, 0XCF, 0XBD, 0XC3, 0XCA, 0XBA, 0XC0, 0XC5, 0XB9, 0XBF, 0XC3, 0XB9, 0XC0, 0XC3, 0XB8, 0XBE, 0XC3, 0XB2, 0XB7, 0XBF, 0XB4, 0XB9, 0XC3, 0XB4, 0XB7, 0XC5, 0X97, 0X9A, 0XA8, 0X68, 0X6D, 0X7A, 0X82, 0X88, 0X93, 0XB1, 0XB7, 0XC2, 0XC3, 0XC9, 0XD3, 0XC2, 0XCC, 0XD7, 0XC2, 0XD1, 0XDC, 0XC4, 0XD5, 0XE1, 0XC8, 0XD9, 0XE5, 0XCB, 0XD8, 0XE5, 0XC6, 0XCE, 0XDA, 0XE2, 0XE2, 0XEC, 0XF2, 0XEF, 0XF6, 0XF8, 0XF1, 0XF7, 0XF4, 0XEE, 0XF4, 0XE8, 0XE7, 0XEF, 0XD9, 0XDB, 0XE3, 0XD1, 0XD3, 0XDB, 0XCC, 0XCF, 0XD8, 0XC5, 0XC9, 0XD3, 0XC0, 0XC5, 0XD0, 0XC9, 0XD1, 0XDC, 0XD3, 0XDB, 0XE7, 0XD3, 0XDC, 0XE9, 0XD1, 0XDB, 0XE8, 0XD3, 0XDB, 0XE8, 0XD3, 0XDA, 0XE8, 0XD6, 0XDA, 0XE8, 0XDA, 0XDC, 0XE9, 0XDD, 0XDC, 0XEA, 0XE0, 0XDD, 0XE9, 0XE3, 0XDF, 0XEA, 0XE1, 0XDF, 0XE9, 0XE0, 0XDF, 0XE8, 0XDF, 0XE1, 0XE9, 0XDF, 0XE2, 0XEA, 0XDF, 0XE3, 0XE7, 0XDE, 0XE3, 0XE5, 0XDE, 0XE2, 0XE6, 0XDE, 0XE2, 0XE6, 0XDD, 0XE1, 0XE6, 0XDC, 0XE0, 0XE7, 0XDE, 0XE2, 0XE9, 0XE2, 0XE5, 0XEE, 0XD3, 0XD6, 0XDF, 0XC0, 0XC3, 0XCD, 0XBB, 0XC0, 0XC9, 0XB7, 0XC0, 0XC9, 0XB3, 0XBE, 0XC5, 0XBA, 0XC3, 0XCB, 0XC5, 0XCB, 0XD2, 0XCF, 0XD2, 0XDA, 0XD8, 0XDA, 0XE0, 0XD5, 0XD5, 0XDB, 0XCC, 0XCE, 0XD3, 0XC5, 0XC8, 0XCC, 0XBE, 0XC3, 0XC5, 0XB6, 0XBC, 0XBF, 0XB1, 0XB8, 0XBB, 0XB4, 0XBC, 0XC0, 0XBA, 0XC2, 0XC6, 0XC2, 0XC9, 0XD0, 0XC9, 0XCF, 0XD7, 0XCF, 0XD4, 0XDE, 0XDC, 0XE1, 0XED, 0XC8, 0XCC, 0XDA, 0XA2, 0XA5, 0XB5, 0XAA, 0XAE, 0XBE, 0XC0, 0XC2, 0XD3, 0XBB, 0XB9, 0XCB, 0XAD, 0XAC, 0XBD, 0X9B, 0X9C, 0XAC, 0X8B, 0X90, 0X9D, 0XB1, 0XB7, 0XC3, 0XC1, 0XC8, 0XD2, 0XBD, 0XC5, 0XCC, 0XBB, 0XC2, 0XC8, 0XBC, 0XC0, 0XC5, 0XBF, 0XC1, 0XC5, 0XBD, 0XC0, 0XC4, 0XBA, 0XBE, 0XC2, 0XBB, 0XBF, 0XC3, 0XBB, 0XBF, 0XC3, 0XBB, 0XBE, 0XC3, 0XBA, 0XBE, 0XC2, 0XBA, 0XBE, 0XC2, 0XB8, 0XBC, 0XC0, 0XB7, 0XBB, 0XBF, 0XB9, 0XBD, 0XC1, 0XB7, 0XBB, 0XBF, 0XB3, 0XB8, 0XBE, 0XB1, 0XB6, 0XBF, 0XB2, 0XB8, 0XBF, 0XB1, 0XB7, 0XBC, 0XB0, 0XB6, 0XBA, 0XAF, 0XB6, 0XB9, 0XAC, 0XB2, 0XB7, 0XAC, 0XB1, 0XB9, 0XA2, 0XA6, 0XB1, 0X9B, 0X9E, 0XAC, 0X93, 0X96, 0XA5, 0X87, 0X8B, 0X99, 0X8A, 0X8F, 0X9A, 0X9A, 0XA0, 0XAB, 0XCF, 0XCD, 0XD8, 0XCD, 0XD0, 0XDB, 0XCB, 0XD6, 0XE0, 0XCB, 0XDA, 0XE6, 0XCC, 0XDC, 0XE8, 0XD2, 0XDC, 0XE9, 0XD6, 0XD8, 0XE3, 0XF1, 0XEE, 0XF4, 0XF6, 0XF0, 0XF5, 0XF7, 0XF0, 0XF3, 0XF3, 0XEE, 0XF0, 0XE3, 0XE4, 0XEB, 0XD6, 0XD8, 0XE0, 0XCC, 0XCE, 0XD7, 0XC7, 0XC9, 0XD3, 0XC3, 0XC7, 0XD2, 0XCA, 0XD0, 0XDB, 0XD1, 0XD9, 0XE4, 0XD6, 0XDF, 0XEC, 0XD5, 0XDE, 0XEB, 0XD4, 0XE0, 0XEC, 0XD6, 0XDF, 0XEB, 0XD6, 0XDD, 0XE7, 0XDB, 0XE0, 0XE9, 0XDF, 0XE0, 0XEB, 0XE2, 0XE0, 0XEB, 0XE4, 0XE0, 0XEB, 0XE4, 0XE0, 0XEB, 0XDF, 0XDE, 0XE7, 0XDB, 0XDA, 0XE3, 0XD8, 0XDA, 0XE2, 0XD7, 0XDA, 0XE2, 0XD8, 0XDD, 0XE1, 0XDA,

0XDF,0XE0,0XDC,0XE1,0XE2,0XDE,0XE3,0XE6,0XDF,0XE5,0XE9,0XDF,0XE5,0XEA,0XDE,0XE4,
0XE9,0XE0,0XE6,0XED,0XD9,0XDF,0XE7,0XC4,0XC9,0XD2,0XB4,0XBA,0XC3,0XAE,0XB8,0XC1,
0XAA,0XB4,0XBE,0XB6,0XBF,0XC9,0XC7,0XCB,0XD5,0XD3,0XD5,0XDF,0XE3,0XE4,0XEC,0XE5,
0XE4,0XED,0XE3,0XE3,0XE9,0XE0,0XE2,0XE7,0XDA,0XDE,0XE2,0XD2,0XD8,0XDB,0XCC,0XD6,
0XD6,0XC0,0XC9,0XCB,0XB0,0XB9,0XBC,0XA4,0XAC,0XB3,0XA0,0XA7,0XB0,0XB4,0XBA,0XC6,
0XB0,0XB5,0XC4,0X89,0X8D,0X9F,0X76,0X7A,0X8E,0X8F,0X91,0XA9,0XAA,0XAC,0XC4,0X9A,
0X99,0XAE,0X7C,0X7B,0X8F,0X65,0X68,0X79,0X6A,0X71,0X7F,0X82,0X8A,0X94,0X87,0X91,
0X98,0X8B,0X95,0X9B,0X92,0X9B,0X9F,0X92,0X97,0X9C,0X95,0X98,0X9C,0X9D,0XA1,0XA5,
0XA3,0XA8,0XAB,0XA8,0XAD,0XB0,0XAD,0XB2,0XB5,0XB0,0XB5,0XB8,0XB1,0XB6,0XB9,0XB3,
0XB8,0XBB,0XB1,0XB6,0XB9,0XB0,0XB5,0XB8,0XB0,0XB5,0XB8,0XAF,0XB4,0XB7,0XAC,0XB1,
0XB7,0XAB,0XB0,0XB9,0XAF,0XB5,0XBC,0XB1,0XB7,0XBC,0XB1,0XB7,0XBB,0XB1,0XB8,0XBB,
0XAF,0XB5,0XBA,0XA6,0XAB,0XB4,0XA6,0XAA,0XB5,0XAF,0XB2,0XC0,0XA7,0XAA,0XB9,0XA8,
0XAB,0XB9,0XAE,0XB2,0XBD,0XB2,0XB6,0XC1,0XD5,0XCF,0XDA,0XD1,0XD1,0XDC,0XCC,0XD5,
0XDE,0XCC,0XD9,0XE2,0XD0,0XDD,0XE6,0XD3,0XDA,0XE4,0XDC,0XDD,0XE6,0XF0,0XEB,0XF1,
0XFD,0XF8,0XFC,0XF5,0XF0,0XF1,0XEB,0XE8,0XEA,0XDE,0XDF,0XE8,0XD4,0XD6,0XE0,0XC7,
0XC9,0XD3,0XC0,0XC3,0XCD,0XC2,0XC6,0XD1,0XCA,0XCF,0XDA,0XCA,0XD3,0XDD,0XCB,0XD4,
0XE0,0XCE,0XD7,0XE4,0XD2,0XDC,0XE9,0XD6,0XDE,0XE9,0XD8,0XDE,0XE5,0XDD,0XE0,0XE8,
0XDF,0XE2,0XEA,0XE1,0XE1,0XEA,0XE2,0XDF,0XE8,0XE3,0XE0,0XEA,0XDD,0XDD,0XE6,0XD9,
0XD9,0XE2,0XD6,0XD8,0XE0,0XD5,0XD9,0XE1,0XD8,0XDE,0XE1,0XDB,0XE1,0XE2,0XDB,0XE2,
0XE3,0XDC,0XE3,0XE4,0XDD,0XE4,0XE6,0XDD,0XE4,0XE7,0XDC,0XE5,0XE9,0XD8,0XE1,0XE6,
0XDB,0XE2,0XEA,0XCC,0XD3,0XDB,0XB9,0XC1,0XC9,0XB3,0XBC,0XC7,0XAD,0XB4,0XC1,0XB8,
0XBF,0XCA,0XC6,0XC9,0XD3,0XD0,0XD2,0XDB,0XDF,0XDF,0XE9,0XDE,0XDC,0XE5,0XDB,0XDB,
0XE1,0XDC,0XDE,0XE3,0XDD,0XE0,0XE5,0XDB,0XE0,0XE3,0XD3,0XDD,0XDD,0XD2,0XDD,0XDF,
0XD1,0XDB,0XDE,0XCA,0XD3,0XDA,0XC1,0XCA,0XD3,0XB7,0XBE,0XCA,0X93,0X99,0XA9,0X7E,
0X82,0X97,0X86,0X89,0XA1,0X7F,0X82,0X9B,0X7B,0X7C,0X95,0X59,0X59,0X6E,0X2C,0X2D,
0X40,0X48,0X4D,0X5D,0X6F,0X77,0X84,0X83,0X8D,0X96,0X92,0X9E,0XA5,0X95,0XA1,0XA7,
0X9F,0XA9,0XAE,0XA2,0XAA,0XAF,0XA2,0XA9,0XAD,0XA8,0XAE,0XB2,0XA4,0XAB,0XAF,0XA7,
0XAE,0XB2,0XA8,0XAF,0XB3,0XA6,0XAE,0XB1,0XA4,0XAC,0XAF,0XAB,0XB2,0XB6,0XAA,0XB1,
0XB4,0XAB,0XB3,0XB6,0XAF,0XB6,0XB9,0XB0,0XB7,0XBA,0XB1,0XB7,0XBC,0XB0,0XB5,0XBE,
0XAB,0XB1,0XB8,0XA8,0XAE,0XB3,0XAB,0XB2,0XB6,0XAE,0XB5,0XB9,0XAE,0XB4,0XBA,0XAD,
0XB3,0XBA,0XAD,0XB2,0XBC,0XB2,0XB6,0XC2,0XAD,0XB0,0XBE,0XA9,0XAD,0XBA,0XAF,0XB4,
0XBF,0XB2,0XB7,0XC2,0XD0,0XD1,0XDB,0XD1,0XD3,0XDC,0XD0,0XD6,0XDD,0XD0,0XD7,0XDE,
0XD4,0XDA,0XE1,0XD9,0XDD,0XE3,0XDC,0XDD,0XE1,0XED,0XEB,0XEE,0XFE,0XFB,0XFD,0XF7,
0XF2,0XF3,0XEA,0XE9,0XEC,0XD8,0XDC,0XE4,0XCB,0XD0,0XD9,0XC3,0XC8,0XD1,0XC3,0XCA,
0XD3,0XC3,0XCA,0XD3,0XC6,0XCC,0XD6,0XC2,0XC9,0XD2,0XBB,0XC4,0XCD,0XBA,0XC3,0XCD,
0XC2,0XCB,0XD5,0XC9,0XCF,0XDA,0XCC,0XD1,0XDA,0XCE,0XD3,0XDC,0XD6,0XD9,0XE2,0XDC,
0XDE,0XE7,0XDB,0XDD,0XE7,0XE1,0XE3,0XED,0XDD,0XDF,0XE9,0XDA,0XDC,0XE6,0XD8,0XDC,
0XE6,0XD6,0XDA,0XE5,0XD7,0XDE,0XE6,0XDB,0XE2,0XEA,0XD7,0XDE,0XE6,0XD7,0XDE,0XE6,
0XDE,0XE4,0XEB,0XD9,0XDF,0XE6,0XD9,0XDF,0XE4,0XDF,0XE5,0XEA,0XDF,0XE4,0XE9,0XD4,
0XDA,0XDF,0XCB,0XD1,0XD6,0XBF,0XC2,0XCA,0XC2,0XC2,0XCB,0XC3,0XC3,0XCC,0XCB,0XC8,
0XD1,0XD5,0XD3,0XDC,0XDA,0XDA,0XE0,0XD8,0XD7,0XDE,0XD7,0XD7,0XDD,0XD5,0XD7,0XDC,
0XD3,0XD6,0XDB,0XD2,0XD5,0XDA,0XCE,0XD4,0XD6,0XCC,0XD3,0XD7,0XCC,0XD2,0XD7,0XCB,
0XD2,0XD7,0XCB,0XD1,0XD8,0XCA,0XD0,0XD7,0XC3,0XC8,0XD2,0XBF,0XC4,0XCE,0XBD,0XC1,
0XCD,0XB9,0XBD,0XCA,0XB6,0XBB,0XC8,0X92,0X9C,0XA9,0X6C,0X77,0X84,0X5B,0X66,0X73,
0X5C,0X67,0X73,0X5E,0X6B,0X77,0X6E,0X7B,0X86,0X7E,0X8A,0X96,0X97,0XA2,0XAE,0XA7,
0XB3,0XBF,0XA9,0XB4,0XC0,0XA9,0XB1,0XBE,0XAA,0XB1,0XBF,0XAA,0XB0,0XBC,0XA8,0XAE,
0XBB,0XA6,0XAE,0XB8,0XA5,0XAD,0XB6,0XAA,0XB1,0XBA,0XA8,0XB1,0XB6,0XA4,0XAE,0XB2,
0XA4,0XAE,0XB1,0XA7,0XB1,0XB1,0XAC,0XB5,0XBA,0XAF,0XB7,0XBE,0XB0,0XB8,0XBF,0XAD,
0XB5,0XBB,0XA8,0XAF,0XB6,0XA3,0XAB,0XB2,0XA1,0XA8,0XAF,0XA6,0XAE,0XB5,0XAE,0XB5,
0XBD,0XB1,0XB8,0XC1,0XB2,0XB8,0XC2,0XB2,0XBA,0XC3,0XAF,0XB8,0XC1,0XAE,0XB7,0XC0,
0XD3,0XD7,0XE0,0XD7,0XDA,0XE2,0XDA,0XDD,0XE4,0XDB,0XDE,0XE4,0XDD,0XDF,0XE4,0XDC,
0XDD,0XE1,0XE0,0XE0,0XE2,0XF1,0XF0,0XF1,0XFD,0XFA,0XFB,0XF2,0XEE,0XEE,0XE6,0XE5,
0XE7,0XDA,0XDF,0XE7,0XCC,0XD3,0XDC,0XB9,0XC0,0XC9,0XBF,0XC6,0XCF,0XC8,0XCF,0XD8,
0XC1,0XC8,0XD1,0XC5,0XCC,0XD5,0XCB,0XD2,0XDB,0XCD,0XD4,0XDD,0XCB,0XD2,0XDB,0XCB,
0XD1,0XDA,0XCC,0XD0,0XDB,0XC9,0XCD,0XD8,0XC6,0XCA,0XD5,0XC2,0XC6,0XD1,0XBD,0XC1,

0XCC,0XC5,0XC9,0XD4,0XC4,0XC8,0XD3,0XC7,0XCB,0XD6,0XCC,0XD0,0XDB,0XCD,0XD2,0XDD,
0XCB,0XD1,0XDD,0XD2,0XDB,0XE6,0XD9,0XE0,0XEB,0XD6,0XDD,0XE7,0XD8,0XDE,0XE7,0XD6,
0XDC,0XE5,0XD8,0XDE,0XE5,0XDC,0XDF,0XE6,0XE6,0XEB,0XEF,0XDB,0XE0,0XE3,0XD2,0XD6,
0XDA,0XD0,0XCF,0XD5,0XD3,0XCF,0XD5,0XD4,0XD0,0XD6,0XD5,0XD2,0XD8,0XD6,0XD4,0XDA,
0XD5,0XD4,0XDA,0XD3,0XD3,0XD9,0XD2,0XD3,0XD9,0XD0,0XD3,0XD8,0XCD,0XD0,0XD5,0XCB,
0XCE,0XD3,0XC5,0XC9,0XCE,0XC4,0XC8,0XCD,0XC3,0XC7,0XCC,0XC4,0XC8,0XCD,0XC5,0XC9,
0XCE,0XC4,0XC8,0XCD,0XC3,0XC7,0XCC,0XC4,0XC8,0XCD,0XC4,0XC8,0XCD,0XC5,0XC9,0XCE,
0XC3,0XC9,0XD0,0XBA,0XC7,0XCF,0XB7,0XC5,0XCD,0XB1,0XBF,0XC9,0XA5,0XB2,0XBE,0X94,
0XA1,0XAD,0X82,0X8F,0X9C,0X73,0X80,0X8D,0X64,0X71,0X7E,0X63,0X6F,0X7E,0X6B,0X77,
0X86,0X73,0X7D,0X8D,0X7D,0X84,0X94,0X8A,0X91,0XA1,0X95,0X9C,0XAB,0XA1,0XA9,0XB6,
0XAB,0XB4,0XBF,0XA6,0XAF,0XB8,0XAA,0XB4,0XBC,0XAE,0XB9,0XBD,0XAC,0XB7,0XBA,0XA7,
0XB3,0XB6,0XA7,0XB1,0XB6,0XA8,0XB0,0XB8,0XA8,0XB1,0XB8,0XAA,0XB3,0XBA,0XAE,0XB6,
0XBE,0XB1,0XB9,0XC1,0XB4,0XBC,0XC4,0XAF,0XB8,0XBF,0XB0,0XB9,0XC0,0XB4,0XBC,0XC4,
0XB3,0XBC,0XC4,0XAF,0XBA,0XC2,0XB2,0XBC,0XC5,0XB3,0XBE,0XC7,0XDB,0XDE,0XE5,0XDD,
0XE0,0XE6,0XE1,0XE4,0XE9,0XE2,0XE5,0XEA,0XE2,0XE3,0XE7,0XDB,0XDB,0XDD,0XE3,0XE2,
0XE3,0XF7,0XF5,0XF5,0XFB,0XF6,0XF7,0XED,0XE8,0XE8,0XE0,0XE0,0XE1,0XD5,0XDA,0XE1,
0XC5,0XCC,0XD5,0XB4,0XBB,0XC4,0XC9,0XD0,0XD9,0XD9,0XE0,0XE9,0XD2,0XD9,0XE2,0XCC,
0XD3,0XDC,0XC6,0XCD,0XD6,0XC8,0XCF,0XD8,0XCF,0XD6,0XDF,0XD4,0XDA,0XE3,0XD7,0XDB,
0XE6,0XD6,0XDA,0XE5,0XD5,0XD9,0XE4,0XD6,0XDA,0XE5,0XD8,0XDC,0XE7,0XD2,0XD6,0XE1,
0XCA,0XCE,0XD9,0XC0,0XC4,0XCF,0XB5,0XB9,0XC4,0XAA,0XAF,0XBA,0X97,0X9D,0XA8,0X9B,
0XA4,0XAD,0XB3,0XBC,0XC5,0XC6,0XCD,0XD6,0XD1,0XD8,0XE1,0XD9,0XE0,0XE9,0XD2,0XD8,
0XDF,0XDD,0XE0,0XE8,0XE4,0XE8,0XEF,0XDC,0XDF,0XE6,0XDC,0XDF,0XE6,0XD6,0XD5,0XDB,
0XD7,0XD3,0XD9,0XDA,0XD8,0XDE,0XDA,0XD8,0XDE,0XD2,0XD0,0XD6,0XCB,0XCB,0XD1,0XC9,
0XC9,0XCF,0XC6,0XC9,0XCE,0XC5,0XC8,0XCD,0XC2,0XC5,0XCA,0XBF,0XC3,0XC8,0XC7,0XCB,
0XD0,0XC4,0XC8,0XCD,0XC0,0XC4,0XC9,0XC0,0XC4,0XC9,0XC1,0XC5,0XCA,0XC0,0XC4,0XC9,
0XBD,0XC1,0XC6,0XB9,0XBD,0XC2,0XB6,0XBA,0XBF,0XB1,0XB5,0XBA,0XAE,0XB4,0XB8,0XA6,
0XB1,0XB8,0XA9,0XB4,0XBC,0XAA,0XB6,0XBE,0XAE,0XBA,0XC4,0XB6,0XC0,0XCA,0XB7,0XC1,
0XCC,0XB4,0XBF,0XCB,0XB1,0XBC,0XC8,0XAC,0XB6,0XC3,0XA3,0XAD,0XBB,0X97,0X9F,0XAD,
0X78,0X7F,0X8D,0X5B,0X62,0X71,0X49,0X51,0X5E,0X4F,0X58,0X64,0X60,0X69,0X73,0X80,
0X89,0X92,0X89,0X92,0X9B,0X99,0XA3,0XA9,0XA8,0XB2,0XB7,0XB1,0XBB,0XC1,0XB2,0XBC,
0XC4,0XB0,0XB9,0XC2,0XAD,0XB6,0XBF,0XAC,0XB5,0XBE,0XB2,0XBB,0XC4,0XB8,0XC1,0XCA,
0XB1,0XBA,0XC3,0XAF,0XB8,0XC1,0XAE,0XB7,0XC0,0XB0,0XB9,0XC2,0XAB,0XB4,0XBD,0XA8,
0XB2,0XBC,0XB1,0XBB,0XC5,0XB6,0XC0,0XCA,0XE0,0XE0,0XE5,0XDE,0XDF,0XE3,0XE0,0XE1,
0XE5,0XE4,0XE5,0XE9,0XE4,0XE3,0XE6,0XE0,0XDE,0XE0,0XED,0XEB,0XEB,0XFA,0XF8,0XF8,
0XF9,0XF5,0XF4,0XED,0XE9,0XE8,0XDE,0XDE,0XDE,0XD0,0XD5,0XDB,0XBC,0XC2,0XC9,0XBD,
0XC3,0XCA,0XDA,0XE0,0XE7,0XE2,0XE8,0XEF,0XE4,0XEA,0XF1,0XDE,0XE4,0XEB,0XD6,0XDC,
0XE3,0XCE,0XD4,0XDB,0XC2,0XC8,0XCF,0XBA,0XC0,0XC7,0XC4,0XC9,0XD2,0XD6,0XDB,0XE4,
0XD5,0XDA,0XE3,0XD2,0XD7,0XE0,0XDC,0XE1,0XEA,0XDB,0XE0,0XE9,0XD8,0XDD,0XE6,0XD5,
0XDA,0XE3,0XD2,0XD7,0XE0,0XCC,0XD1,0XDA,0XC6,0XCE,0XD6,0XBF,0XC9,0XD0,0XBA,0XC4,
0XCB,0XB5,0XBF,0XC6,0XAD,0XB5,0XBD,0XA9,0XB0,0XB9,0XC8,0XCD,0XD6,0XE1,0XE6,0XEF,
0XE7,0XEA,0XF4,0XE1,0XE3,0XED,0XD6,0XD7,0XE2,0XDC,0XDC,0XE5,0XDD,0XDA,0XE3,0XE0,
0XDE,0XE7,0XD6,0XD4,0XDD,0XC5,0XC4,0XCD,0XC1,0XC1,0XCA,0XC1,0XC2,0XCA,0XC0,0XC2,
0XCA,0XBE,0XC1,0XC9,0XBC,0XBF,0XC7,0XBA,0XBD,0XC5,0XB6,0XBB,0XC2,0XB5,0XBB,0XC2,
0XB5,0XBB,0XC2,0XB7,0XBD,0XC4,0XB8,0XBE,0XC5,0XBB,0XC1,0XC8,0XBC,0XC2,0XC9,0XBA,
0XC0,0XC7,0XB8,0XBE,0XC5,0XB6,0XBC,0XC3,0XB5,0XBB,0XC2,0XAD,0XB7,0XBC,0XAF,0XB9,
0XBF,0XAD,0XB8,0XBE,0XA9,0XB3,0XBB,0XA7,0XB0,0XB8,0XAA,0XB2,0XBB,0XA8,0XB2,0XBB,
0XAA,0XB3,0XBD,0XB0,0XB9,0XC3,0XB5,0XBD,0XC8,0XB8,0XC1,0XCB,0XBE,0XC7,0XD1,0XBA,
0XC3,0XCE,0XB4,0XBD,0XC7,0X9E,0XA7,0XB1,0X81,0X8A,0X94,0X6E,0X77,0X81,0X5F,0X68,
0X71,0X55,0X5E,0X67,0X60,0X69,0X71,0X70,0X79,0X82,0X81,0X8B,0X94,0X91,0X9B,0XA5,
0X9F,0XA9,0XB3,0XAC,0XB6,0XC0,0XB2,0XBC,0XC6,0XB4,0XBE,0XC8,0XB0,0XBA,0XC4,0XAE,
0XB8,0XC2,0XA3,0XAD,0XB7,0XA3,0XAD,0XB7,0XA4,0XAE,0XB8,0XA1,0XA9,0XB6,0XA7,0XAF,
0XBC,0XAC,0XB4,0XC1,0XE1,0XE1,0XE3,0XDB,0XDB,0XDD,0XDB,0XDB,0XDD,0XE1,0XE0,0XE3,
0XE1,0XE0,0XE2,0XE7,0XE6,0XE8,0XF4,0XF3,0XF4,0XF7,0XF5,0XF5,0XEF,0XED,0XED,0XE4,
0XE2,0XE1,0XD4,0XD3,0XD5,0XCA,0XCF,0XD5,0XBA,0XC0,0XC7,0XC9,0XCF,0XD6,0XDA,0XE0,
0XE7,0XDA,0XE0,0XE7,0XD7,0XDD,0XE4,0XDA,0XE0,0XE7,0XE1,0XE7,0XEE,0XE2,0XE8,0XEF,

0XD3, 0XD9, 0XE0, 0XC0, 0XC5, 0XCD, 0XA9, 0XAE, 0XB7, 0XA5, 0XAA, 0XB3, 0XBF, 0XC4, 0XCD, 0XD6,
0XDB, 0XE4, 0XD2, 0XD7, 0XE0, 0XD9, 0XDE, 0XE7, 0XD7, 0XDC, 0XE5, 0XD6, 0XDB, 0XE4, 0XD2, 0XD7,
0XE0, 0XCB, 0XD0, 0XD9, 0XC7, 0XD1, 0XD7, 0XC1, 0XCD, 0XD1, 0XC0, 0XCB, 0XD0, 0XC0, 0XCA, 0XD1,
0XC1, 0XCA, 0XD2, 0XC8, 0XD1, 0XDA, 0XD8, 0XDE, 0XE9, 0XBA, 0XBE, 0XC9, 0XCC, 0XCF, 0XDD, 0XD3,
0XD6, 0XE4, 0XC6, 0XC8, 0XD6, 0XD9, 0XD9, 0XE3, 0XDB, 0XDA, 0XE3, 0XDE, 0XDD, 0XE6, 0XCE, 0XCE,
0XD7, 0XBF, 0XC1, 0XC9, 0XC2, 0XC4, 0XCC, 0XBB, 0XBD, 0XC5, 0XBB, 0XBE, 0XC6, 0XBA, 0XBF, 0XC6,
0XB8, 0XBE, 0XC5, 0XB8, 0XBD, 0XC4, 0XB9, 0XBF, 0XC6, 0XB9, 0XBF, 0XC6, 0XB6, 0XBC, 0XC3, 0XB2,
0XB8, 0XBF, 0XAD, 0XB3, 0XBA, 0XAD, 0XB3, 0XBA, 0XB1, 0XB7, 0XBE, 0XB3, 0XB9, 0XC0, 0XB7, 0XBD,
0XC4, 0XBA, 0XC0, 0XC7, 0XBB, 0XC1, 0XC8, 0XBE, 0XC6, 0XCA, 0XB6, 0XBD, 0XC1, 0XB3, 0XBB, 0XBF,
0XB5, 0XBE, 0XC3, 0XB8, 0XBF, 0XC5, 0XB1, 0XB8, 0XBF, 0XAA, 0XB1, 0XB9, 0XA7, 0XAE, 0XB7, 0XAA,
0XB0, 0XB9, 0XAE, 0XB4, 0XBD, 0XAE, 0XB5, 0XBE, 0XAD, 0XB7, 0XBF, 0XB4, 0XBD, 0XC6, 0XBA, 0XC3,
0XCC, 0XBA, 0XC3, 0XCC, 0XB6, 0XBF, 0XC8, 0XB7, 0XC0, 0XCA, 0XB7, 0XC0, 0XCA, 0XB6, 0XBF, 0XC9,
0XA6, 0XAF, 0XB9, 0X8A, 0X93, 0X9F, 0X72, 0X7B, 0X88, 0X5F, 0X6A, 0X76, 0X4D, 0X59, 0X65, 0X49,
0X55, 0X61, 0X59, 0X65, 0X70, 0X69, 0X75, 0X80, 0X8C, 0X98, 0XA4, 0XA5, 0XB0, 0XBC, 0XA5, 0XB0,
0XBC, 0XA4, 0XB0, 0XBC, 0XA4, 0XAE, 0XBA, 0XA8, 0XB0, 0XBE, 0XAC, 0XB3, 0XC1, 0XAD, 0XB5, 0XC3,
0XE2, 0XE1, 0XE3, 0XDB, 0XDA, 0XDD, 0XD8, 0XD7, 0XDA, 0XDD, 0XDD, 0XDF, 0XDF, 0XDE, 0XE1, 0XEC,
0XEC, 0XEE, 0XF2, 0XF2, 0XF4, 0XEC, 0XEC, 0XED, 0XE5, 0XE2, 0XE5, 0XD2, 0XD0, 0XD3, 0XC3, 0XC4,
0XC7, 0XBC, 0XC1, 0XC7, 0XBC, 0XC2, 0XC8, 0XD3, 0XD8, 0XDF, 0XD6, 0XDC, 0XE2, 0XD7, 0XDC, 0XE3,
0XE0, 0XE5, 0XEC, 0XDB, 0XE0, 0XE6, 0XD7, 0XDC, 0XE3, 0XDA, 0XDF, 0XE5, 0XDA, 0XE0, 0XE6, 0XD7,
0XDD, 0XE4, 0XCF, 0XD5, 0XDD, 0XBD, 0XC2, 0XCB, 0XA7, 0XAD, 0XB5, 0XA7, 0XAC, 0XB4, 0XB6, 0XBB,
0XC3, 0XBF, 0XC5, 0XCD, 0XC9, 0XCF, 0XD7, 0XD0, 0XD5, 0XDD, 0XCE, 0XD3, 0XDB, 0XCB, 0XD1, 0XD9,
0XC7, 0XD1, 0XD6, 0XC0, 0XCD, 0XCF, 0XC1, 0XCD, 0XD1, 0XC0, 0XCA, 0XD1, 0XBF, 0XC9, 0XD1, 0XCB,
0XD4, 0XDD, 0XB6, 0XBC, 0XC8, 0X8E, 0X92, 0XA0, 0XBF, 0XC2, 0XD1, 0XBD, 0XC1, 0XD0, 0X99, 0X9B,
0XAA, 0XC6, 0XC7, 0XD2, 0XCA, 0XC9, 0XD2, 0XBE, 0XC0, 0XC9, 0XA2, 0XA4, 0XAC, 0X8E, 0X90, 0X99,
0X94, 0X98, 0XA0, 0X9E, 0XA3, 0XAB, 0XA6, 0XAC, 0XB3, 0XB0, 0XB6, 0XBE, 0XB4, 0XBB, 0XC2, 0XB4,
0XBB, 0XC2, 0XAE, 0XB4, 0XBC, 0XB1, 0XB7, 0XBF, 0XB3, 0XB9, 0XC1, 0XB3, 0XB9, 0XC1, 0XB2, 0XB8,
0XC0, 0XB0, 0XB6, 0XBE, 0XB0, 0XB6, 0XBE, 0XAF, 0XB5, 0XBD, 0XAD, 0XB3, 0XBA, 0XAE, 0XB4, 0XBC,
0XB1, 0XB7, 0XBE, 0XAF, 0XB5, 0XB9, 0XAD, 0XB3, 0XB6, 0XB1, 0XB7, 0XBB, 0XB3, 0XB8, 0XBD, 0XAF,
0XB4, 0XB9, 0XB2, 0XB7, 0XBE, 0XB2, 0XB7, 0XBF, 0XB3, 0XB7, 0XC0, 0XB5, 0XB9, 0XC2, 0XB5, 0XB9,
0XC3, 0XB5, 0XBA, 0XC3, 0XB6, 0XBF, 0XC6, 0XB1, 0XBB, 0XC2, 0XA7, 0XB0, 0XB8, 0XA8, 0XB1, 0XBA,
0XB4, 0XBD, 0XC6, 0XB0, 0XB9, 0XC3, 0XAE, 0XB7, 0XC1, 0XAE, 0XB7, 0XC2, 0XB3, 0XBB, 0XC8, 0XB5,
0XBD, 0XCA, 0XB4, 0XBD, 0XCA, 0XB1, 0XBC, 0XC7, 0XA6, 0XB1, 0XBD, 0X94, 0X9F, 0XAB, 0X7C, 0X88,
0X93, 0X6C, 0X77, 0X82, 0X5B, 0X67, 0X72, 0X61, 0X6D, 0X78, 0X59, 0X64, 0X70, 0X62, 0X6D, 0X79,
0X77, 0X82, 0X8D, 0X91, 0X99, 0XA7, 0X9A, 0XA1, 0XAF, 0XA0, 0XA6, 0XB5, 0XDC, 0XDB, 0XDF, 0XD6,
0XD6, 0XDA, 0XD9, 0XD9, 0XDD, 0XDC, 0XDD, 0XE1, 0XEA, 0XEC, 0XF0, 0XE4, 0XE6, 0XEB, 0XE6, 0XE9,
0XEE, 0XDC, 0XDF, 0XE3, 0XD6, 0XD9, 0XDD, 0XC1, 0XC2, 0XC9, 0XA2, 0XA4, 0XAB, 0X9D, 0XA1, 0XA6,
0XDA, 0XDE, 0XE3, 0XD6, 0XDA, 0XDF, 0XD1, 0XD5, 0XDA, 0XD3, 0XD7, 0XDC, 0XD1, 0XD5, 0XDA, 0XD4,
0XD8, 0XDD, 0XD5, 0XD9, 0XDE, 0XD4, 0XD8, 0XDD, 0XD3, 0XD7, 0XDC, 0XD0, 0XD5, 0XDB, 0XCB, 0XD1,
0XD8, 0XCD, 0XD3, 0XDA, 0XC8, 0XCE, 0XD5, 0XBA, 0XC0, 0XC7, 0XAE, 0XB4, 0XBB, 0X93, 0X99, 0XA0,
0X9C, 0XA2, 0XA9, 0XB7, 0XBD, 0XC4, 0XCD, 0XD3, 0XDA, 0XC8, 0XCE, 0XD5, 0XBA, 0XC3, 0XCA, 0XBA,
0XC6, 0XCA, 0XC1, 0XCD, 0XD3, 0XBC, 0XC7, 0XCE, 0XB0, 0XBA, 0XC3, 0XB2, 0XBB, 0XC5, 0X76, 0X7E,
0X8B, 0X8E, 0X93, 0XA2, 0XAC, 0XB1, 0XC0, 0XA8, 0XAD, 0XBC, 0X94, 0X96, 0XA7, 0XA2, 0XA4, 0XAF,
0X96, 0X98, 0XA2, 0X7F, 0X81, 0X8B, 0X78, 0X7B, 0X85, 0X8A, 0X8E, 0X98, 0X99, 0X9E, 0XA7, 0X8B,
0X91, 0X9A, 0X7A, 0X81, 0X8A, 0X7C, 0X83, 0X8C, 0X92, 0X9A, 0XA3, 0XA8, 0XB0, 0XB9, 0XB5, 0XBC,
0XC5, 0XAA, 0XB1, 0XBA, 0XAA, 0XB1, 0XBA, 0XB5, 0XBC, 0XC5, 0XB4, 0XBB, 0XC4, 0XAE, 0XB5, 0XBE,
0XAC, 0XB3, 0XBC, 0XB0, 0XB7, 0XC0, 0XB7, 0XBE, 0XC7, 0XAE, 0XB5, 0XBE, 0XA1, 0XA8, 0XAF, 0XA7,
0XAC, 0XB0, 0XAA, 0XAF, 0XB2, 0XAD, 0XB2, 0XB6, 0XB0, 0XB4, 0XB9, 0XB1, 0XB5, 0XBB, 0XB7, 0XBA,
0XC2, 0XB8, 0XBB, 0XC3, 0XB8, 0XBA, 0XC4, 0XB8, 0XBA, 0XC4, 0XB8, 0XBA, 0XC4, 0XB6, 0XBC, 0XC5,
0XB5, 0XBF, 0XC6, 0XB0, 0XB9, 0XC2, 0XA7, 0XB0, 0XB9, 0XA9, 0XB2, 0XBB, 0XAC, 0XB5, 0XBE, 0XA3,
0XAC, 0XB6, 0XA5, 0XAE, 0XB8, 0XA5, 0XAE, 0XB8, 0XA4, 0XAD, 0XB7, 0XA7, 0XAF, 0XBC, 0XA8, 0XB1,
0XBC, 0XA8, 0XB3, 0XBB, 0XAC, 0XB7, 0XC0, 0XB3, 0XBD, 0XC7, 0XB6, 0XC0, 0XC9, 0XB4, 0XBF, 0XC8,
0XB0, 0XBA, 0XC4, 0XAC, 0XB7, 0XC0, 0XA1, 0XAB, 0XB4, 0X8D, 0X98, 0XA0, 0X7B, 0X85, 0X8F, 0X66,
0X6D, 0X78, 0X60, 0X66, 0X73, 0X5D, 0X63, 0X70, 0XD3, 0XD5, 0XDB, 0XDA, 0XDB, 0XE1, 0XE7, 0XEA,
0XF0, 0XDC, 0XDF, 0XE5, 0XE6, 0XE9, 0XF0, 0XE1, 0XE4, 0XEC, 0XD5, 0XD9, 0XE2, 0XC5, 0XC9, 0XD2,
0XBF, 0XC4, 0XCE, 0XAE, 0XB4, 0XBE, 0X94, 0X9A, 0XA3, 0XBA, 0XBD, 0XC3, 0XD5, 0XD8, 0XDD, 0XC9,

0XCC, 0XD1, 0XD4, 0XD7, 0XDC, 0XCF, 0XD2, 0XD7, 0XCC, 0XCF, 0XD4, 0XCE, 0XD1, 0XD6, 0XCD, 0XD0, 0XD5, 0XCA, 0XCD, 0XD2, 0XC8, 0XCB, 0XD0, 0XC6, 0XCB, 0XD0, 0XC3, 0XC8, 0XCF, 0XC2, 0XC8, 0XCF, 0XC2, 0XC8, 0XCF, 0XC4, 0XCA, 0XD1, 0XC6, 0XCC, 0XD3, 0XB7, 0XBD, 0XC4, 0X99, 0X9F, 0XA6, 0X7A, 0X80, 0X87, 0X7D, 0X83, 0X8A, 0X9F, 0XA5, 0XAC, 0XB6, 0XC0, 0XC7, 0XB7, 0XC4, 0XCC, 0XB1, 0XBE, 0XC6, 0XB6, 0XC0, 0XC9, 0XB7, 0XC1, 0XCB, 0XAC, 0XB6, 0XC0, 0X6D, 0X75, 0X82, 0X80, 0X88, 0X95, 0X75, 0X7C, 0X89, 0X73, 0X79, 0X87, 0X71, 0X75, 0X84, 0X7D, 0X81, 0X8C, 0X85, 0X8A, 0X93, 0X90, 0X95, 0X9E, 0X98, 0X9D, 0XA6, 0X99, 0X9E, 0XA7, 0X98, 0X9F, 0XA8, 0X9B, 0XA3, 0XAC, 0X9C, 0XA4, 0XAD, 0X98, 0XA1, 0XAA, 0X8B, 0X94, 0X9D, 0X7C, 0X86, 0X8E, 0X7F, 0X86, 0X8F, 0X8D, 0X94, 0X9D, 0X9B, 0XA2, 0XAB, 0XA4, 0XAB, 0XB4, 0XAB, 0XB2, 0XBB, 0XAF, 0XB6, 0XBF, 0XAC, 0XB3, 0XBC, 0XAB, 0XB2, 0XBB, 0XB0, 0XB7, 0XC0, 0XB1, 0XB8, 0XC1, 0XAD, 0XB5, 0XBC, 0XB2, 0XB8, 0XBE, 0XB3, 0XB9, 0XBF, 0XB3, 0XB9, 0XBF, 0XB2, 0XB8, 0XC0, 0XB2, 0XB7, 0XBF, 0XB1, 0XB6, 0XBF, 0XB1, 0XB5, 0XBF, 0XB0, 0XB4, 0XBF, 0XAF, 0XB3, 0XBE, 0XAF, 0XB2, 0XBE, 0XAC, 0XB1, 0XBC, 0XA8, 0XB1, 0XBB, 0XAB, 0XB4, 0XBF, 0XA8, 0XB1, 0XBB, 0XAA, 0XB3, 0XBD, 0XAA, 0XB3, 0XBD, 0XAB, 0XB4, 0XBE, 0XA8, 0XB1, 0XBB, 0XA8, 0XB1, 0XBA, 0XAB, 0XB4, 0XBD, 0XAB, 0XB4, 0XBD, 0XA9, 0XB2, 0XBB, 0XA8, 0XB2, 0XB8, 0XAA, 0XB3, 0XBA, 0XAE, 0XB7, 0XBF, 0XB0, 0XB9, 0XC0, 0XAE, 0XB7, 0XBE, 0XAE, 0XB7, 0XBE, 0XAF, 0XB8, 0XC0, 0XB0, 0XB9, 0XC0, 0XB0, 0XB9, 0XC0, 0XAF, 0XB8, 0XC0, 0XB2, 0XB8, 0XC2, 0XA9, 0XAF, 0XB9, 0X9D, 0XA3, 0XAE, 0XCA, 0XCC, 0XD5, 0XDC, 0XDE, 0XE7, 0XCF, 0XD3, 0XDC, 0XB9, 0XBD, 0XC6, 0XAB, 0XAF, 0XB9, 0XBE, 0XC4, 0XCE, 0XA5, 0XAD, 0XB9, 0XA7, 0XAF, 0XBB, 0X8B, 0X94, 0XA2, 0X86, 0X8F, 0X9C, 0XB4, 0XBB, 0XC7, 0XC9, 0XCC, 0XD2, 0XC7, 0XCA, 0XCF, 0XCD, 0XD0, 0XD4, 0XBF, 0XC2, 0XC6, 0XBD, 0XC0, 0XC5, 0XC5, 0XC8, 0XCC, 0XC5, 0XC8, 0XCC, 0XC2, 0XC5, 0XC9, 0XBC, 0XBF, 0XC4, 0XBA, 0XBD, 0XC1, 0XBA, 0XBF, 0XC3, 0XB9, 0XBF, 0XC4, 0XB7, 0XBD, 0XC3, 0XB8, 0XBE, 0XC4, 0XBC, 0XC2, 0XC7, 0XBE, 0XC4, 0XCA, 0XC7, 0XCD, 0XD3, 0XBB, 0XC1, 0XC6, 0XB5, 0XBB, 0XC0, 0X9D, 0XA3, 0XA8, 0X64, 0X6A, 0X70, 0X4F, 0X59, 0X61, 0X7B, 0X87, 0X93, 0XA9, 0XB5, 0XC0, 0XB5, 0XC0, 0XCC, 0XB6, 0XC0, 0XCC, 0XAF, 0XB9, 0XC5, 0XAE, 0XB6, 0XC3, 0XA5, 0XAE, 0XB8, 0XA5, 0XAE, 0XB8, 0XA1, 0XA9, 0XB4, 0XA1, 0XA7, 0XB4, 0XAB, 0XAF, 0XBA, 0XA8, 0XAD, 0XB7, 0XA3, 0XA9, 0XB3, 0XA2, 0XA7, 0XB2, 0XA0, 0XA6, 0XB1, 0X9A, 0XA2, 0XAC, 0X96, 0X9F, 0XA9, 0X9B, 0XA4, 0XAE, 0X9F, 0XA8, 0XB2, 0XA0, 0XAA, 0XB4, 0XA1, 0XAB, 0XB5, 0XA7, 0XB0, 0XB9, 0X9C, 0XA5, 0XAE, 0X88, 0X90, 0X9A, 0X7E, 0X87, 0X90, 0X8B, 0X94, 0X9E, 0XA5, 0XAD, 0XB7, 0XB4, 0XBC, 0XC6, 0XB6, 0XBE, 0XC8, 0XB1, 0XB9, 0XC3, 0XB0, 0XB9, 0XC3, 0XB5, 0XBE, 0XC7, 0XB9, 0XC0, 0XC7, 0XB5, 0XBC, 0XC4, 0XB2, 0XB9, 0XC2, 0XB2, 0XB8, 0XC2, 0XB4, 0XB9, 0XC4, 0XAE, 0XB4, 0XBE, 0XAC, 0XB1, 0XBE, 0XAA, 0XB0, 0XBC, 0XA7, 0XAC, 0XB9, 0XA4, 0XA9, 0XB7, 0XA3, 0XA9, 0XB6, 0XA4, 0XAC, 0XB9, 0XA7, 0XAE, 0XBD, 0XA6, 0XAE, 0XBA, 0XAB, 0XB3, 0XBF, 0XAD, 0XB6, 0XC0, 0XAC, 0XB5, 0XBE, 0XA8, 0XB1, 0XBA, 0XAA, 0XB3, 0XBB, 0XAF, 0XB9, 0XBF, 0XB0, 0XBA, 0XC1, 0XB3, 0XBA, 0XBF, 0XB3, 0XBA, 0XBE, 0XAF, 0XB6, 0XBA, 0XAD, 0XB3, 0XB9, 0XAA, 0XB1, 0XB5, 0XA5, 0XAD, 0XB0, 0XA5, 0XAC, 0XB0, 0XA5, 0XAC, 0XB1, 0XA6, 0XAD, 0XB1, 0XA8, 0XAF, 0XB3, 0XAB, 0XB1, 0XB6, 0XAB, 0XB2, 0XB9, 0XAB, 0XB1, 0XB9, 0XAF, 0XB5, 0XBC, 0XC0, 0XC3, 0XCD, 0XCB, 0XD1, 0XDA, 0XB7, 0XBC, 0XC6, 0X96, 0X9C, 0XA7, 0X53, 0X5A, 0X66, 0X71, 0X79, 0X86, 0X7F, 0X88, 0X97, 0X6D, 0X77, 0X87, 0X3B, 0X46, 0X57, 0X81, 0X8C, 0X9E, 0XC8, 0XD1, 0XDF, 0XCA, 0XCE, 0XD4, 0XCC, 0XCF, 0XD3, 0XC0, 0XC3, 0XC7, 0XB7, 0XBA, 0XBE, 0XB1, 0XB4, 0XB8, 0XB0, 0XB3, 0XB7, 0XB1, 0XB4, 0XB8, 0XB1, 0XB4, 0XB8, 0XAF, 0XB2, 0XB6, 0XB2, 0XB5, 0XB9, 0XB3, 0XB8, 0XBC, 0XB2, 0XB8, 0XBD, 0XB3, 0XB9, 0XBE, 0XB4, 0XBA, 0XBF, 0XB6, 0XBC, 0XC1, 0XB8, 0XBE, 0XC3, 0XB6, 0XBC, 0XC1, 0XB5, 0XBB, 0XC0, 0XB8, 0XBE, 0XC3, 0XB8, 0XBE, 0XC3, 0XAE, 0XB4, 0XBA, 0X8F, 0X98, 0XA3, 0X66, 0X72, 0X80, 0X4C, 0X57, 0X67, 0X61, 0X6C, 0X7B, 0X8E, 0X98, 0XA6, 0XA5, 0XAE, 0XBB, 0XA0, 0XA9, 0XB6, 0X98, 0XA1, 0XAB, 0XA3, 0XAC, 0XB5, 0XA1, 0XAA, 0XB4, 0XA1, 0XA8, 0XB3, 0XA1, 0XA6, 0XB1, 0XA5, 0XAA, 0XB5, 0XA9, 0XAF, 0XBA, 0XA9, 0XB0, 0XBB, 0XA6, 0XAE, 0XB8, 0XA6, 0XAF, 0XB9, 0XAA, 0XB3, 0XBD, 0XA6, 0XB0, 0XBA, 0XA0, 0XAA, 0XB4, 0X9F, 0XAA, 0XB4, 0XA2, 0XAE, 0XB8, 0XAB, 0XB4, 0XBE, 0XA8, 0XB1, 0XBB, 0XAC, 0XB5, 0XBF, 0XAC, 0XB5, 0XBF, 0X97, 0XA0, 0XAA, 0X7B, 0X84, 0X8E, 0X6F, 0X78, 0X82, 0X7C, 0X85, 0X8F, 0X9A, 0XA3, 0XAD, 0XAB, 0XB4, 0XBE, 0XAB, 0XB4, 0XBE, 0XB4, 0XBB, 0XC5, 0XB4, 0XBB, 0XC5, 0XB3, 0XBA, 0XC4, 0XB0, 0XB7, 0XC3, 0XAE, 0XB5, 0XC0, 0XAA, 0XB0, 0XBD, 0XA9, 0XAF, 0XBD, 0XA9, 0XB0, 0XBD, 0XAA, 0XAF, 0XBF, 0XAA, 0XB0, 0XBF, 0XA9, 0XAF, 0XBE, 0XA6, 0XAD, 0XBD, 0XA6, 0XAD, 0XBD, 0XA3, 0XAA, 0XB9, 0XA8, 0XB0, 0XBD, 0XAC, 0XB4, 0XBF, 0XA9, 0XB2, 0XBB, 0XA9, 0XB2, 0XBA, 0XA9, 0XB4, 0XB8, 0XAB, 0XB6, 0XBA, 0XAD, 0XB8, 0XBB, 0XAE, 0XB6, 0XB8, 0XAD, 0XB2, 0XB5, 0XAC, 0XB1, 0XB3, 0XAD, 0XB2, 0XB4, 0XAF, 0XB4, 0XB6, 0XAE, 0XB3, 0XB6, 0XAB, 0XB0, 0XB2, 0XAB, 0XB0, 0XB2, 0XAB, 0XB0, 0XB2, 0XAA, 0XAF, 0XB2, 0XAA, 0XB0, 0XB4, 0XA7, 0XAD, 0XB2, 0XA5, 0XAB, 0XB0, 0XB8, 0XBD, 0XC8, 0X85, 0X8B, 0X96, 0X70, 0X76, 0X81, 0X6F, 0X77, 0X84, 0X4B, 0X53, 0X61, 0X32, 0X3C, 0X4B, 0X31, 0X3B,

```

0X4C,0X42,0X4E,0X5F,0X5E,0X6C,0X7F,0XAD,0XBB,0XCE,0X9C,0XA6,0XB6,0X9F,0XA3,0XA9,
0X9A,0X9D,0XA1,0XA2,0XA5,0XA9,0XAD,0XB0,0XB4,0XAC,0XAF,0XB3,0XAA,0XAD,0XB1,0XAB,
0XAE,0XB2,0XAA,0XAD,0XB1,0XAA,0XAD,0XB1,0XAD,0XB0,0XB4,0XB1,0XB5,0XB9,0XB1,0XB7,
0XBC,0XAE,0XB4,0XB9,0XAE,0XB4,0XB9,0XB1,0XB7,0XBC,0XB4,0XBA,0XBF,0XB1,0XB7,0XBC,
0XAB,0XB1,0XB6,0XA9,0XAF,0XB4,0XAE,0XB4,0XB9,0XB1,0XB7,0XBD,0XAB,0XB4,0XC0,0XA3,
0XAF,0XC0,0X96,0XA3,0XB4,0X73,0X7D,0X8E,0X4F,0X58,0X68,0X4B,0X54,0X62,0X66,0X6F,
0X7C,0X9B,0XA4,0XAE,0XA0,0XA9,0XB3,0XA4,0XAD,0XB6,0X9E,0XA8,0XAF,0X9B,0XA1,0XAC,
0XA1,0XA7,0XB2,0XA5,0XAB,0XB6,0XA2,0XAB,0XB5,0XA4,0XAD,0XB7,0XA8,0XB2,0XBC,0XA7,
0XB1,0XBB,0XAB,0XB5,0XBF,0XA7,0XB2,0XBC,0XA3,0XAF,0XB9,0XA4,0XB0,0XBA,0XA4,0XAD,
0XB7,0XA4,0XAD,0XB7,0XA7,0XB0,0XBA,0XAA,0XB3,0XBD,0XA8,0XB1,0XBB,0XA6,0XAF,0XB9,
0XA4,0XAD,0XB7,0X99,0XA2,0XAC,0X88,0X91,0X9B,0X79,0X82,0X8C,0X71,0X7A,0X84,0X87,
0X90,0X9A,0X98,0XA1,0XAB,0XA8,0XB1,0XBC,0XAF,0XB7,0XC4,0XAC,0XB4,0XC1,0XA9,0XB1,
0XBF,0XA9,0XB0,0XBF,0XA9,0XB0,0XBF,0XA8,0XAF,0XC0,0XA8,0XAF,0XC0,0XA7,0XAE,0XBF,
0XA7,0XAD,0XC0,0XA8,0XAF,0XC0,0XA3,0XAA,0XBA,0XA5,0XAC,0XBA,0XA4,0XAD,0XB8,0XA3,
0XAC,0XB6,0XA5,0XAF,0XB6,0XA2,0XAD,0XB1,0X9E,0XAA,0XAC,0X9F,0XAB,0XAC,0XA6,0XAE,
0XAE,0XA9,0XAD,0XAE,0XA6,0XAA,0XAB,0XA8,0XAC,0XAD,0XAA,0XAE,0XAF,0XA9,0XAD,0XAE,
0XAC,0XB0,0XB1,0XAC,0XB0,0XB1,0XAC,0XB0,0XB1,0XAC,0XB0,0XB1,0XAA,0XAE,0XAF,0XAC,
0XB2,0XB4,0XA8,0XAE,0XB2,0XA3,0XAA,0XAD,};
void setup(void)
{
  Serial.begin(115200);
  tft.begin();
  tft.fillScreen(DISPLAY_BLACK);
  tft.drawBmp((uint8_t*)g, -50, -43, 100, 86);
}

void loop(void)
{
}

```

Effect Display



Sample Code

The function of the program: draw a running clock on the screen, and its starting time is 18:00:00.

```
/*
 * file clock.ino
 *
 * @ https://github.com/DFRobot/DFRobot_ST7687S
 *
 * connect with your board (please reference board compatibility)
 *
 * controller (uno)          DFRobot 2.2 inch tft lcd display
 * SPI_SCK      ----> SPI_SCL
 * SPI_MOSI     ----> SPI_MOSI
 * 3            ----> cs
 * 5            ----> rs
 * 6            ----> wr
 * 7            ----> lck
 *
 * a clock demo
 *
 * Copyright [DFRobot](http://www.dfrobot.com), 2016
 * Copyright GNU Lesser General Public License
 *
 * version V1.0
 * date 2017-12-7
 */

#include "DFRobot_ST7687S_Latch.h"
#include "DFRobot_Display_Clock.h"
#include <TimeLib.h>

#ifdef __AVR__
uint8_t pin_cs = 3, pin_rs = 5, pin_wr = 6, pin_lck = 7;
#else
uint8_t pin_cs = D3, pin_rs = D5, pin_wr = D6, pin_lck = D7;
#endif

DFRobot_ST7687S_Latch tft(pin_cs, pin_rs, pin_wr, pin_lck);
DFRobot_Display_Clock clk(&tft);

void setup(void)
{
  Serial.begin(115200);
  setTime(18,0,0,19,4,2018);
  tft.begin();
  tft.fillScreen(DISPLAY_BLACK);
  clk.setPointerLength(32, 40, 48); //pointer length: hour, minute, second
  clk.setPointerWidth(3, 2, 2); //pointer width: hour, minute, second
  clk.setPointerColor(DISPLAY_RED, DISPLAY_GREEN, DISPLAY_BLUE); //pointer color:
  hour, min, second
  clk.setClockDial(0, 0, 60); //clock position x, y, clock radius
}
```

```
    clk.setDialColor(DISPLAY_WHITE, DISPLAY_BLACK); //clock border color, background
    clk.showDial(); //draw dial
}

void loop(void)
{
    clk.updateClock(hour(), minute(), second());
}
```

Effect Display

