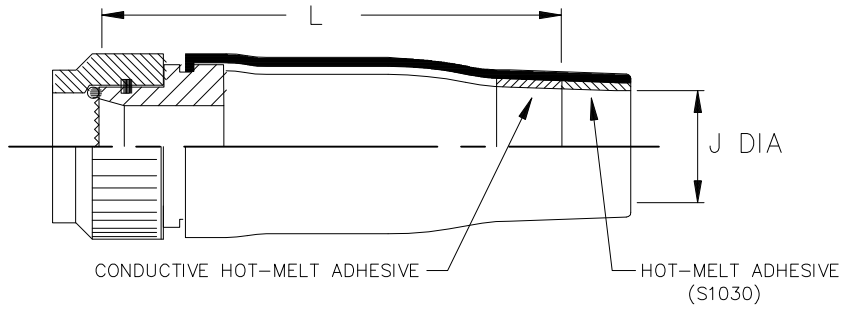


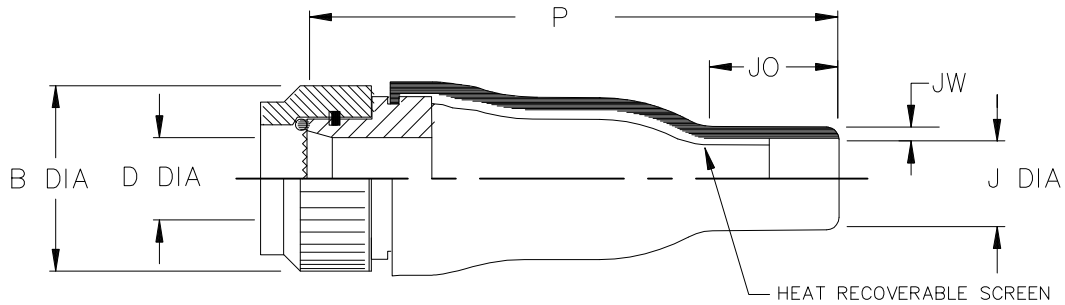
REVISIONS

| P | LTR | DESCRIPTION | DATE | DWN | APVD |
|---|-----|-------------------------------|-----------|-----|------|
| 6 | | RELEASED AS PER ECO-17-009529 | 03JUL2017 | PV | MP |

a) Part as supplied.



b) Part after unrestricted recovery.



NOTES:

Raychem Connector Code: 54
 Connector Series: MIL-C-5015 (MS3400)
 203M0**-19B**-KNS (Olive Drab);
 Adaptor Series: Aluminium Alloy to BS1474 HE30TF, FC1 or 6262
 Cadmium per QQ-P-416, Type II, Class 3
 Over appropriate under plate,
 Per MIL-C-85049 (500 hour salt spray)

Moulded Part Material: -100C (Black); Polyolefin/Silver Composites, semi-flexible
 ZEROHAL™ Low fire hazard

Kits to include cleaning tissue, 1 piece 100 grit emery cloth & packing piece.
 Kits to be used in conjunction with installation guide for straight assemblies.


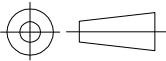
Dimensions in mm [inches for reference]

| Part No. | Shell Size | B DIA MAX | D DIA MIN | J | | P ±10% b | L REF a | JO REF b | JW ±30% b |
|----------|-------------|--------------|--------------|-----------|------------|----------------|---------------|----------------|-----------------|
| | | | | MIN a | MAX b | | | | |
| KTKK0612 | 8&8S | 15.6 [.61] | 6.2 [.24] | 7 [.28] | 5.0 [.20] | 55 [2.17] | 49 [1.93] | 15 [.59] | 1.0 [.04] |
| KTKK0613 | 10,10S&10SL | 18.6 [.73] | 9.3 [.37] | 9 [.35] | 6.0 [.24] | 70 [2.76] | 64 [2.52] | 17 [.67] | 1.0 [.04] |
| KTKK0614 | 12&12S | 21.9 [.86] | 12.7 [.50] | 11 [.43] | 7.2 [.28] | 82 [3.23] | 76 [2.99] | 20 [.79] | 1.0 [.04] |
| KTKK0615 | 14&14S | 24.6 [.97] | 14.1 [.56] | 11 [.43] | 7.2 [.28] | 82 [3.23] | 76 [2.99] | 20 [.79] | 1.0 [.04] |
| KTKK0616 | 16&16S | 27.6 [1.09] | 17.8 [.70] | 17 [.67] | 8.5 [.33] | 95 [3.74] | 86 [3.39] | 25 [.98] | 1.0 [.04] |
| KTKK0617 | 18 | 29.6 [1.17] | 18.8 [.74] | 17 [.67] | 8.5 [.33] | 95 [3.74] | 86 [3.39] | 25 [.98] | 1.0 [.04] |
| KTKK0618 | 20 | 34.1 [1.34] | 23.0 [.91] | 21 [.83] | 10 [.39] | 120 [4.72] | 108 [4.25] | 30 [1.18] | 1.2 [.05] |
| KTKK0619 | 22 | 37.4 [1.47] | 23.6 [.93] | 21 [.83] | 10 [.39] | 120 [4.72] | 108 [4.25] | 30 [1.18] | 1.2 [.05] |
| KTKK0620 | 24 | 40.6 [1.60] | 29.1 [1.15] | 29 [1.14] | 15.8 [.62] | 145 [5.71] | 130 [5.12] | 30 [1.18] | 1.5 [.06] |

THIS DRAWING IS UNPUBLISHED.

ALL RIGHTS RESERVED.

COPYRIGHT 2016 By TE Connectivity

| | | | | | | |
|---|------------------|--------------------------|--|-----------------|---------------|-----------|
| DIMENSIONS: mm [INCHES] | DWN P. VU | 10OCT2016 | MATERIAL | SEE NOTES | FINISH | SEE NOTES |
| | CHK N. NAGAR | 10OCT2016 |  TE Connectivity | | | |
| TOLERANCES UNLESS OTHERWISE SPECIFIED: | APVD M. POPE | 10OCT2016 | | | | |
| 0 PLC ± - | PRODUCT SPEC | NAME ADAPTOR ASSEMBLY | | | | |
| 1 PLC ± - | — | — | | | | |
| 2 PLC ± - | APPLICATION SPEC | — | | | | |
| 3 PLC ± - | — | SIZE | CAGE CODE | DRAWING NO | RESTRICTED TO | |
| 4 PLC ± - | — | A4 | 00779 | C-KTKK0612-0620 | — | |
| ANGLES ± - | WEIGHT | CUSTOMER DRAWING | | | | |
|  | | SCALE | DNS | SHEET | 1 OF 1 | REV 6 |