

4

3

2

1

THIS DRAWING IS UNPUBLISHED

RELEASED FOR PUBLICATION

2015

LOC

DIST

REVISIONS

© COPYRIGHT 2015 BY TE CONNECTIVITY

ALL RIGHTS RESERVED.

P	LTR	DESCRIPTION	DATE	DWN	APVD
C2		REVISED PER ECO-16-003814	11MAR2016	JA	DM
D		REVISED PER ECO-16-016158	09NOV2016	DD	DM
D1		REVISED PER ECR-17-016062	31OCT2017	DD	DM
D2		REVISED PER PCN :E-18-011832	23JUL2018	DD	DM

SECTION A-A

KEY -A-
COLOR: GREYKEY -B-
COLOR: BLACKKEY -C-
COLOR: BROWN

KEY ARRANGEMENTS

4 MATERIAL: PLUG HOUSING: PA46 GF10 (GREY, BLACK, BROWN)
 SECONDARY LOCK: PA66 GF10 (BLUE)
 INTERFACE SEAL: VMO (RED ORANGE)
 PROTECTIVE COVER: PA66 GF15 (BLACK)

3 PLUG HOUSING, SECONDARY LOCK, AND PROTECTIVE COVER ARE SHIPPED LOOSE IN INDIVIDUAL BAG.
 FOR INSTALLATION; SEE APPLICATION SPEC 114-151028.

2 CABLE SEAL NOT INCLUDED. SEE TABLE FOR SEAL SELECTION.

TE INTERNAL PN	DEUTSCH PN	MIN INSUL OD	MAX INSUL OD	CABLE SEAL COLOR
2289241-1	WS-25-001	8.17 [.322]	9.66 [.380]	BLUE
2289242-1	WS-32-001	9.49 [.374]	10.52 [.414]	RED
2289243-1	WS-35-001	10.59 [.417]	11.59 [.456]	GREEN

THIS DRAWING IS A CONTROLLED DOCUMENT.

DIMENSIONS: mm [INCHES]

TOLERANCES UNLESS OTHERWISE SPECIFIED:

0 PLC	±
1 PLC	±
2 PLC	±0.64 [.025]
3 PLC	±
4 PLC	±
ANGLES	±0°30'0"

MATERIAL

FINISH

DWN 19JAN2012
 ILINA GRANICHAROVA

CHK 18SEP2012
 ILINA GRANICHAROVA

APVD 18SEP2012
 DAVID MEYER

PRODUCT SPEC 108-151027

APPLICATION SPEC 114-151028

WEIGHT 57.4g

CUSTOMER DRAWING

TE INTERNAL PN DEUTSCH PN

2289241-1	WS-25-001	8.17 [.322]	9.66 [.380]	BLUE
2289242-1	WS-32-001	9.49 [.374]	10.52 [.414]	RED
2289243-1	WS-35-001	10.59 [.417]	11.59 [.456]	GREEN

TE Connectivity

NAME PLUG, 8MM DTSK SERIES

SIZE	CAGE CODE	DRAWING NO	RESTRICTED TO
A3	4AFU8	DTSK06-1-08SX	-

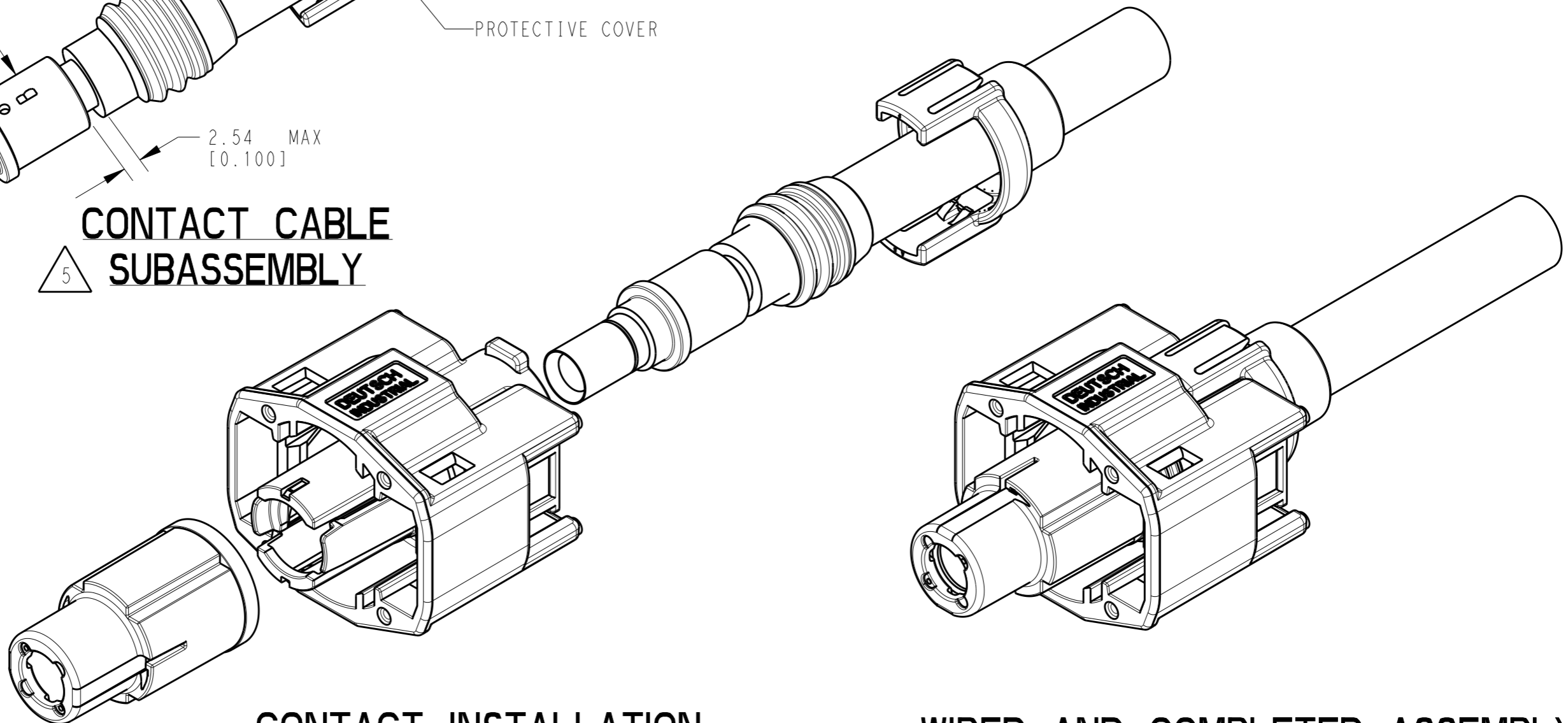
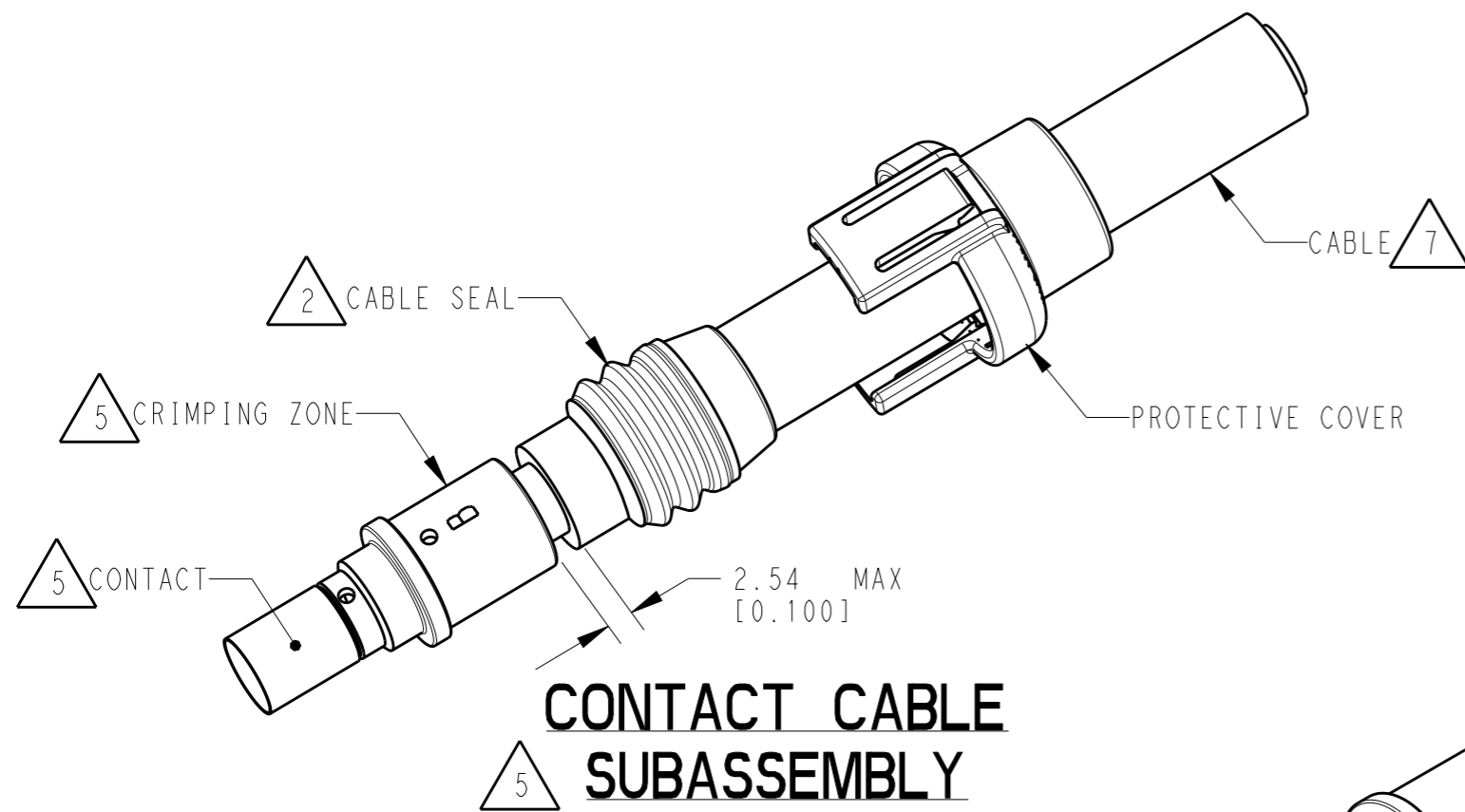
SCALE 3:2 SHEET 1 OF 2 REV D2

1. THIS PLUG MATES WITH DTSK04-1-08PX RECEPTACLE. (X=A,B,C KEYS)

NOTES:

1470-19 (3/11)

LOC		DIST		REVISIONS			
P	LTR	DESCRIPTION	DATE	DWN	APVD		
	-	SEE SHEET 1	-	-	-		



CONTACT INSTALLATION

WIRED AND COMPLETED ASSEMBLY

- NOTES:
- 7 FOR CABLE O.D. SEE APPLICATION SPEC 114-151028.
 - 6 FOR PROTECTIVE COVER SEE 1028-047-08005.
 - 5 FOR CONTACT AND CRIMP INFORMATION SEE APPLICATION SPEC 114-151039.

THIS DRAWING IS A CONTROLLED DOCUMENT.		DWN 19JAN2012 ILINA GRANICHAROVA		TE Connectivity	
DIMENSIONS: mm[INCHES]		CHK 18SEP2012 ILINA GRANICHAROVA			
		APVD 18SEP2012 DAVID MEYER		NAME PLUG, 8MM DTSK SERIES	
		TOLERANCES UNLESS OTHERWISE SPECIFIED: 0 PLC ± 1 PLC ± 2 PLC ±0.64[.025] 3 PLC ± 4 PLC ± ANGLES ±0°30'0"		PRODUCT SPEC 108-151027	
MATERIAL 4		FINISH		APPLICATION SPEC 114-151028	
		WEIGHT 57.4g		SIZE A3	CAGE CODE 4AFU8
		CUSTOMER DRAWING		DRAWING NO DTSK06-1-08SX	RESTRICTED TO -
		SCALE 3:2		SHEET 2	OF 2
				REV D2	