

THIS DRAWING IS UNPUBLISHED.

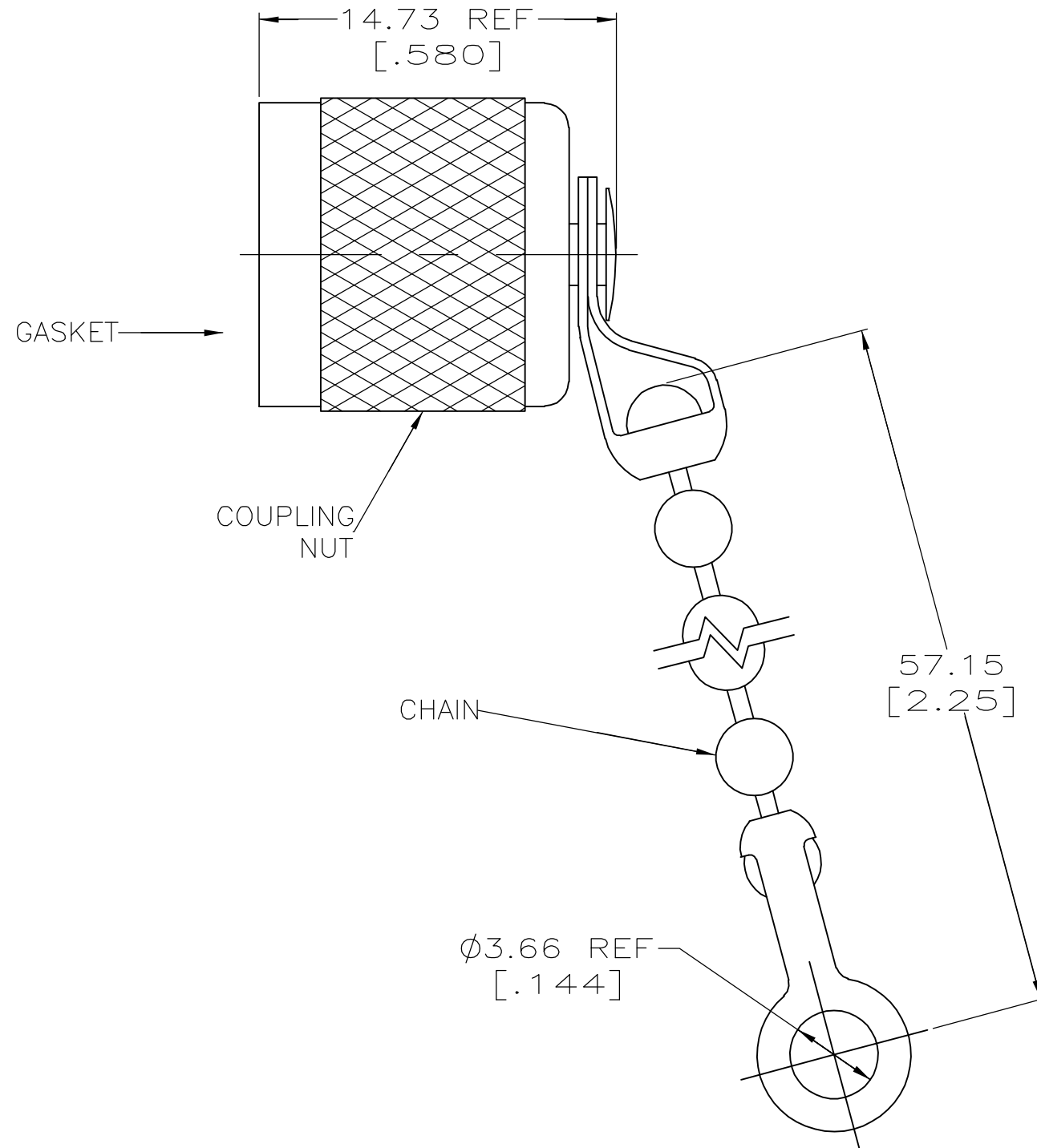
RELEASED FOR PUBLICATION

© COPYRIGHT - BY TYCO ELECTRONICS CORPORATION. ALL RIGHTS RESERVED.

LOC  
AJ 17

REVISIONS

P	LTR	DESCRIPTION	DATE	DWN	APVD
	B	REVISED PER EC OS14-0457-04	20JUN05	BM	JL



- △1 FINISH:  
COUPLING NUT AND CHAIN: NICKEL PLATED.
- △2 MATERIALS:  
COUPLING NUT AND CHAIN: BRASS.  
GASKET: SILICONE RUBBER.

OBSOLETE 414910-2

PART NUMBER

THIS DRAWING IS A CONTROLLED DOCUMENT.

DWN M.E. COWHER 13JUL94

CHK M. PHILLIPS 15JUL94

APVD -

PRODUCT SPEC -

APPLICATION SPEC -

WEIGHT -

**tyco** Tyco Electronics Corporation  
**Electronics** Harrisburg, Pa 17105-3608

NAME DUST COVER, MALE, TNC

SIZE	CAGE CODE	DRAWING NO	RESTRICTED TO
A3	00779	C-414910	-

DIMENSIONS: mm [INCHES]	TOLERANCES UNLESS OTHERWISE SPECIFIED:
0 PLC	± -
1 PLC	± -
2 PLC	± 6.35 [.25]
3 PLC	± -
4 PLC	± -
ANGLES	± -
MATERIAL	FINISH
△2	△1

CUSTOMER DRAWING SCALE 4:1 SHEET 1 OF 1 REV B