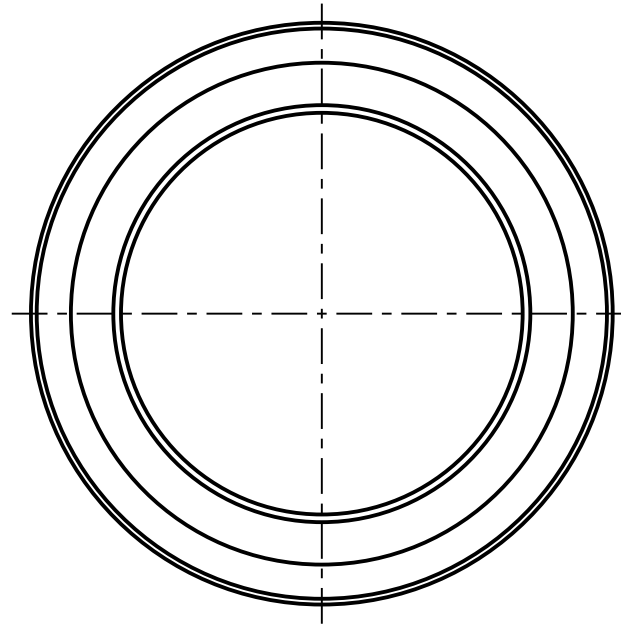
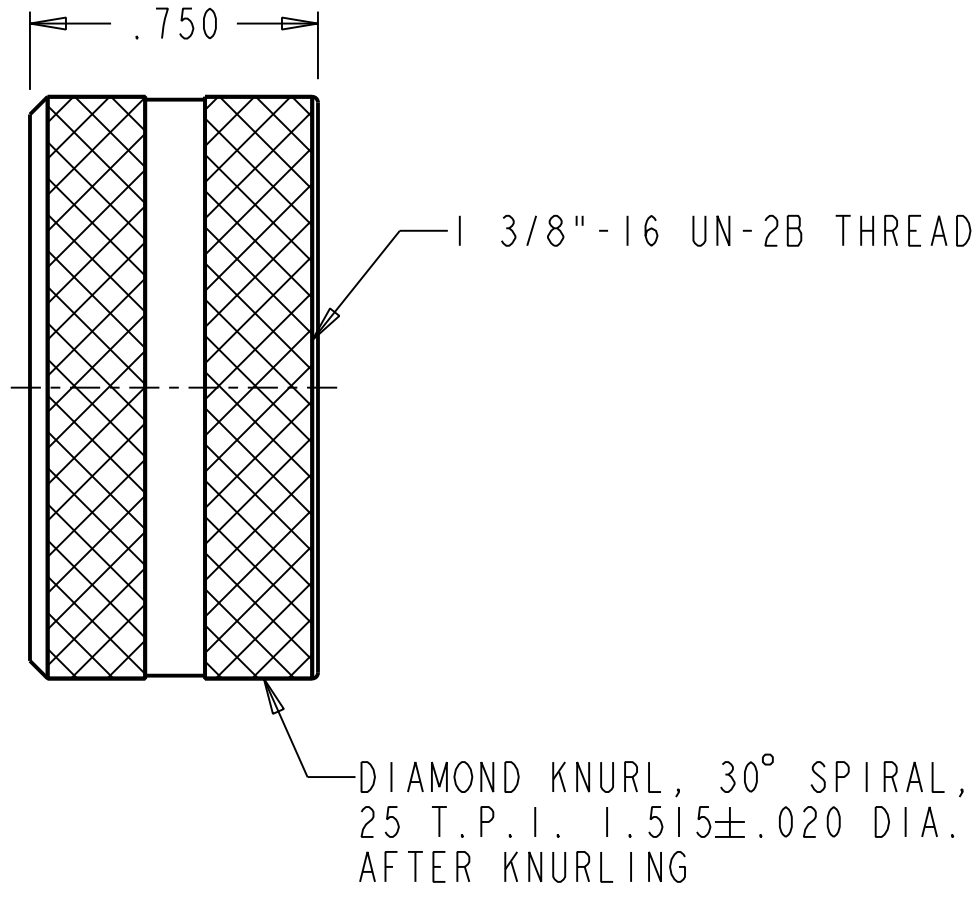

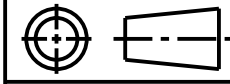


REV	ECN	BY	CKD	DATE	DESCRIPTION
A	WNA2012-0021	KJ	BW	7/12/11	INITIAL RELEASE

MATERIAL NUMBER	ENGINEERING NUMBER	FINISH
1302010059	55-0145	CLEAR ANODIZE
1302010054	55-0134	BLACK ANODIZE



NOTES:  
 1. MATERIAL: ALUMINUM.

DRAWN BY BH	DATE 10-21-02	 <b>MOLEX INCORPORATED</b>
CHECKED BY JM	DATE 10-21-02	
MATERIAL SEE NOTES		TITLE QUICK-CHANGE INTERNAL COUPLING NUT
FINISH SEE NOTES		SIZE B
UNLESS OTHERWISE SPECIFIED TOLERANCES ARE .X = ±.020 .XX = ±.010 .XXX = ±.005 FRACTIONAL = ±1/64 ANGULAR = ±1/2°		DRAWING NUMBER SD-130201-002
 THIRD ANGLE PROJECTION		REV A
		SCALE 2.0
THIS DRAWING CONTAINS INFORMATION THAT IS PROPRIETARY TO MOLEX INCORPORATED AND SHOULD NOT BE USED WITHOUT WRITTEN PERMISSION		PROJECT NUMBER
		SHEET 1 OF 1