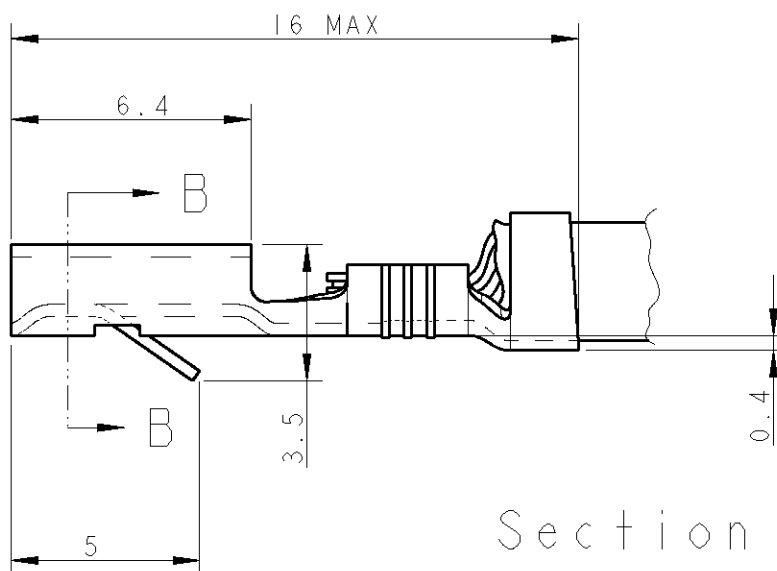
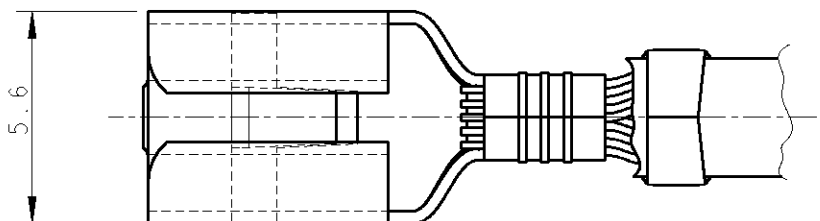


LOC	DIST	REVISIONS					
		P	LTR	DESCRIPTION	DATE	DWN	APVD
			M	REDRAWN ET00-0107-04	06MAY2004	AV	CT
			M1	CHANGED Q.TY PER REEL ET00-0050-05	21APR2005	AV	GT
			M2	REVISED PER ECO-10-000445	09JAN10	KK	AEG

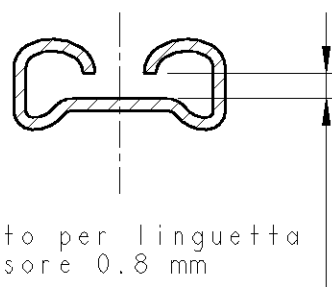


Section B-B

- ⚠ OTTONE P/N 280919-1  
BRASS P/N ~~280919-1~~ **OBSOLETE** ⚠
- OTTONE STAGNATO 280919-2
- TIN BRASS P/N 280919-2
- BRONZO FOSF. STAGNATO 280919-4
- TIN PHOS.BRZ. P/N 280919-4

WIRE RANGE 0.5-1.5 mm<sup>2</sup>  
INSULATION 2.3-3.3 mm DIA.

- ⚠ **OBSOLETE PARTS: OBSOLETE CIS**  
**STREAMLINING PER D.RENAUD/D.SINISI**



2004

RELEASED FOR PUBLICATION

THIS DRAWING IS UNPUBLISHED.

© COPYRIGHT 2004 BY TYCO ELECTRONICS CORPORATION. ALL RIGHTS RESERVED.

DIMENSIONS: mm	DWN	A. Vecchia	06MAY2004	MATERIAL	⚠	FINISH	-
	CHK	C. Tartari	06MAY2004	tyco Electronics AMP Italia S.p.A. 10093 Collegno TO			
TOLERANCES UNLESS OTHERWISE SPECIFIED:	APVD	C. Tartari	06MAY2004				
0 PLC ±0.4	PRODUCT SPEC	108-20020		NAME	CONTATTO FASTIN-ON FEMMINA SERIE 4.8 mm 4.8 mm SERIES FASTIN-ON RECEPTACLE		
1 PLC ±	APPLICATION SPEC	-		SIZE	CAGE CODE	DRAWING NO	RESTRICTED TO
2 PLC ±	WEIGHT	-		A4	00779	©=280919	-
3 PLC ±	CUSTOMER DRAWING	SCALE		5:1	SHEET	1 OF 1	REV
4 PLC ±							M2
ANGLES ±1°							