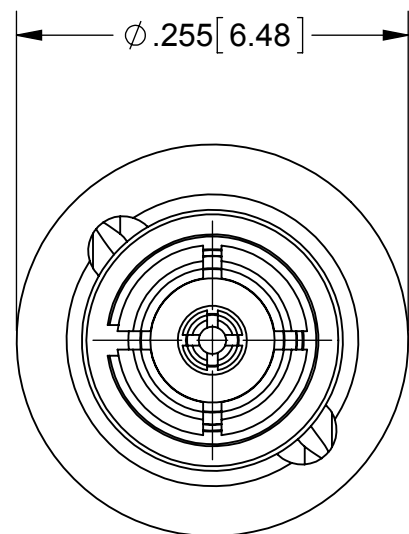
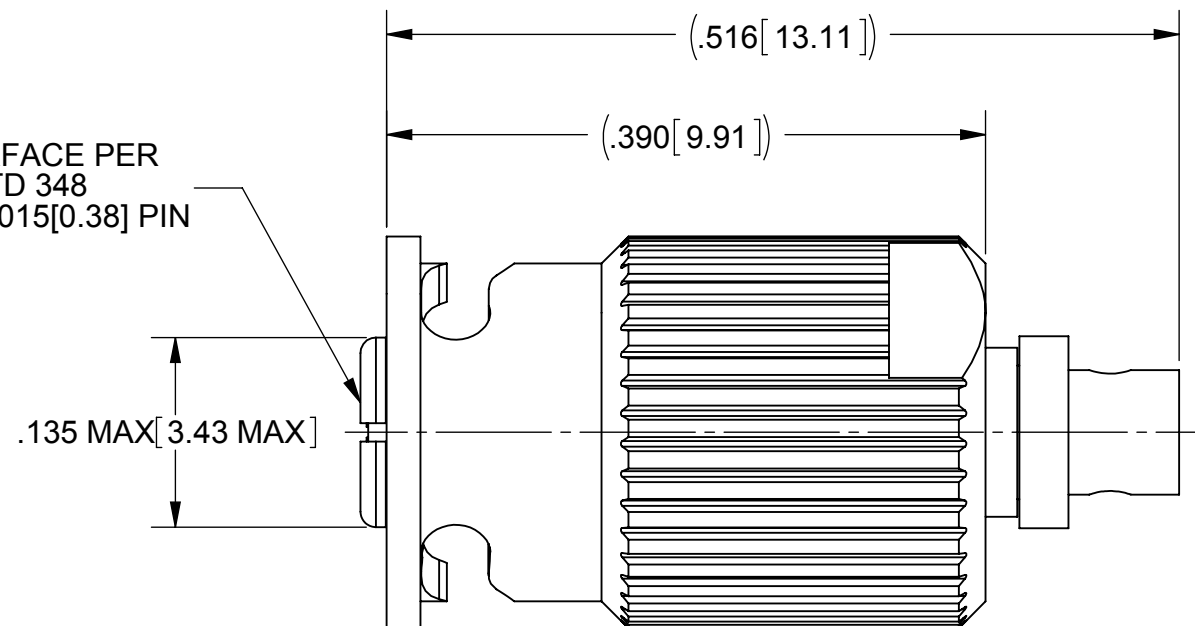


# PRODUCT DATA DRAWING

REVISION HISTORY			
REV	DESCRIPTION	DATE	APPROVED
C	DCN 41749	10/15	STW



SMP INTERFACE PER MIL-STD 348 ACCEPTS  $\phi$  .015[0.38] PIN



**MATERIAL:**

BODY, EMI RING, FERRULE, & CONTACT:

BERYLLIUM COPPER PER ASTM B196, ALLOY No. UNS C17300, TD04

INSULATOR:

PTFE PER ASTM D1710, TYPE I, GRADE 1, CLASS B

SPRING:

STAINLESS STEEL PER ASTM A313

QUARTER BACK NUT:

STAINLESS STEEL PER AMS-5640, ALLOY UNS S30300, TYPE 1

**FINISH:**

BODY, EMI RING & CONTACT:

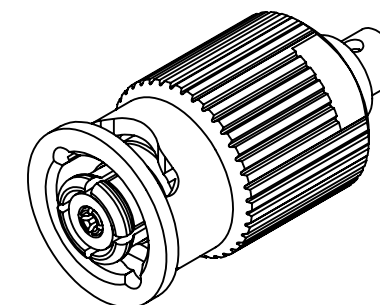
GOLD PER ASTM B488, TYPE II, CODE C, CLASS 1.27, OVER NICKEL PER AMS-QQ-N-290, CLASS 1, .00005" MIN.

QUARTER BACK NUT & SPRING:

PASSIVATED PER AMS 2700

**PERFORMANCE:**

IMPEDANCE: 50 OHMS  
 FREQ. RANGE: DC TO 40.0 GHz  
 VSWR: 1.30:1 DC TO 40.0 GHz  
 INSERTION LOSS: .03 X SQRT(F IN GHz)



MATERIAL: SEE NOTES	DIMENSIONS ARE IN INCHES TOLERANCES: FRACTIONAL: $\pm 1/64$ ANGULAR: X° $\pm 1'0''$ X'X' $\pm 15'$	UNLESS OTHERWISE SPECIFIED 1) ALL DIMENSIONS ARE IN INCHES (MILLIMETERS) 2) ALL DIMENSIONS ARE AFTER PLATING. 3) BREAK CORNERS & EDGES .005 R. MAX. 4) CHAM. 1ST & LAST THREADS. 5) SURFACE ROUGHNESS 63-MIL-STD-10. 6) DIA: 'S ON COMMON CENTERS TO BE CONCENTRIC WITHIN T.I.R. 7) REMOVE ALL BURRS	<b>SV Microwave, Inc.</b> 2400 Centrepark West Drive, Suite 100 West Palm Beach, FL 33409
FINISH: SEE NOTES	DECIMAL: X $\pm .030$ .XX $\pm .010$ .XXX $\pm .005$	INTERPRET DIMENSIONS AND TOLERANCES PER ASME Y14.5M - 1994	TITLE: SMP JACK W/ QUARTER BACK NUT FOR STANDARD FLEXTRA CABLE
SURFACE AREA: N/A	THIRD ANGLE PROJECTION	DRAWN: ELA 11/05/12	SIZE   CAGE CODE   DWG. NO.   <b>B</b>   <b>95077</b>   <b>1221-40051</b>
PROPRIETARY THE INFORMATION CONTAINED IN THIS DRAWING IS THE SOLE PROPERTY OF SV MICROWAVE, INC. ANY REPRODUCTION IN PART OR AS A WHOLE WITHOUT THE WRITTEN PERMISSION OF SV MICROWAVE, INC IS PROHIBITED.		CHECKED: STW 11/05/12 APPROVED: STW 11/05/12	SCALE: 8:1   SHEET 1 OF 1