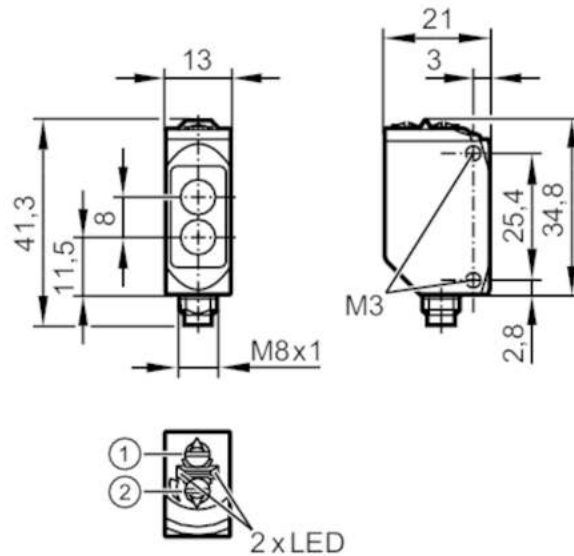


O6P401



Retro-reflective sensor

O6P-FNKG/AS/4P



- 1: output function switch
2: potentiometer sensitivity



Product characteristics

Type of light	red light
Housing	rectangular

Application

Special feature	polarisation filter
Function principle	Retro-reflective sensor
Application	suited for use in the machine tool industry

Electrical data

Operating voltage	[V]	10...30 DC
Current consumption	[mA]	12; ((24 V))
Protection class		III
Reverse polarity protection		yes
Type of light		red light
Wave length	[nm]	633

Outputs

Electrical design		NPN
Output function		light-on/dark-on mode; (selectable)
Max. voltage drop switching output DC	[V]	2.5
Permanent current rating of switching output DC	[mA]	100
Switching frequency DC	[Hz]	1000
Short-circuit protection		yes
Type of short-circuit protection		pulsed

O6P401



Retro-reflective sensor

O6P-FNKG/AS/4P

Detection zone		
Range referred to prismatic reflector	[m]	0.05...5; (Prismatic reflector Ø 80 E20005)
Range adjustable		yes
Max. light spot diameter	[mm]	150
Light spot dimensions refer to		at maximum range
Polarisation filter available		yes

Operating conditions		
Ambient temperature	[°C]	-25...60
Protection		IP 65; IP 67; IP 68

Tests / approvals		
EMC		EN 60947-5-2
MTTF	[years]	909
UL approval		UL Approval no. E010

Mechanical data		
Weight	[g]	34.4
Housing		rectangular
Dimensions	[mm]	41.3 x 13 x 21
Materials		housing: stainless steel (1.4404 / 316L); plastics: PPSU; Sealing: FKM
Lens material		PMMA
Lens alignment		side lens
Tightening torque	[Nm]	1; (screws)

Displays / operating elements		
Display	switching status	1 x LED, yellow
	operation	1 x LED, green

Remarks		
Remarks		operating voltage "supply class 2" according to cULus
Pack quantity		1 pcs.

Electrical connection

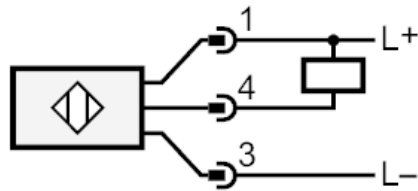
Connector: 1 x M8; coding: A



Retro-reflective sensor

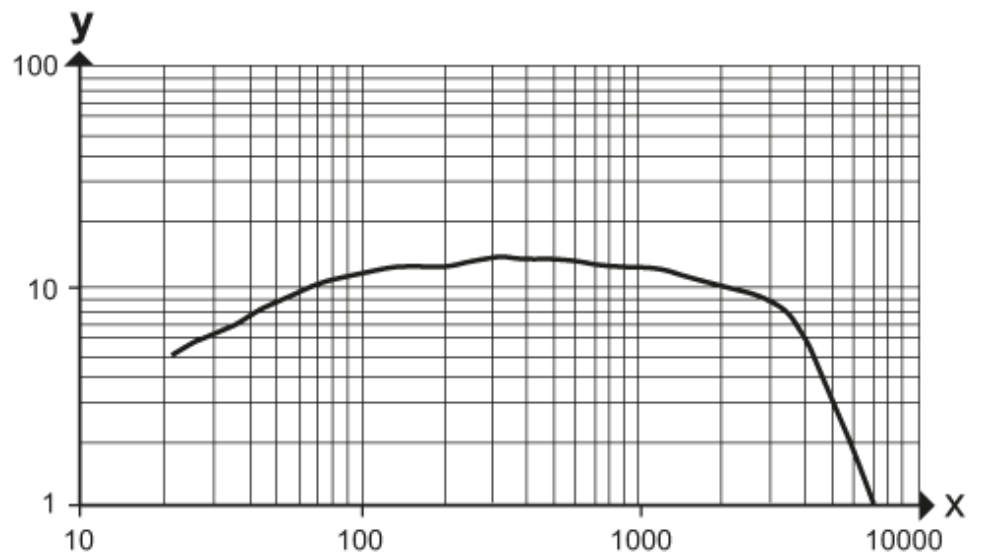
O6P-FNKG/AS/4P

Connection



Diagrams and graphs

excess gain graph



x: distance [mm]

y: excess gain factor