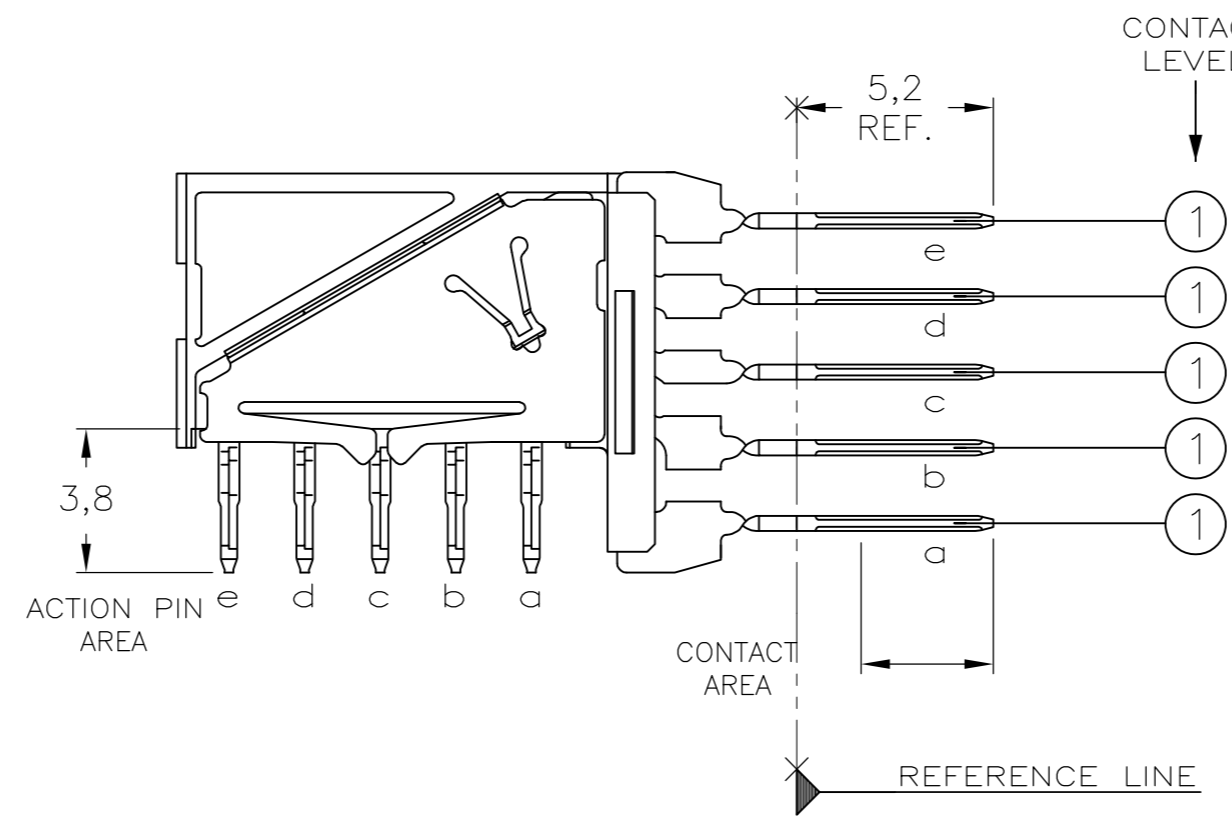


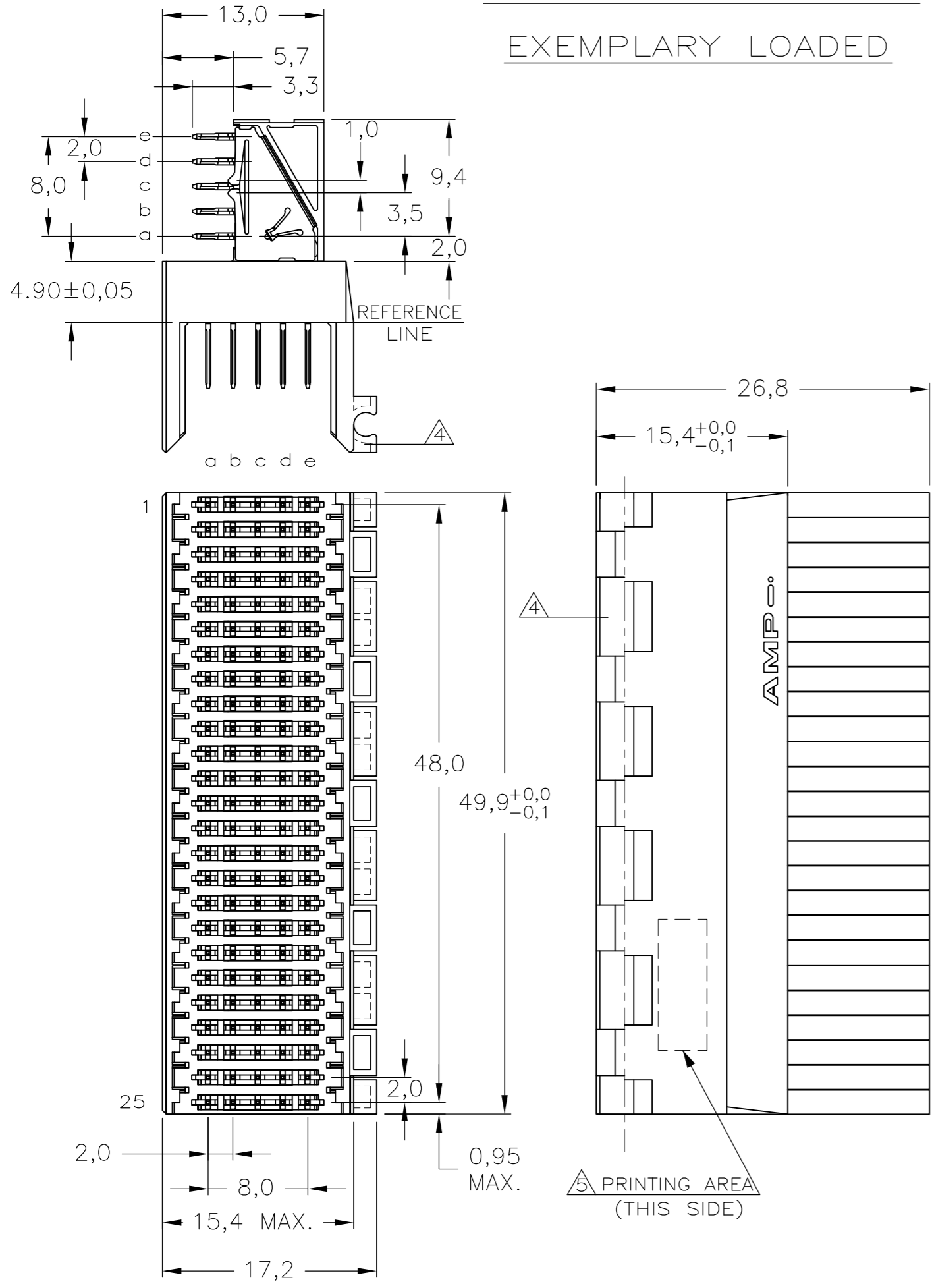
THIS DRAWING IS UNPUBLISHED. RELEASED FOR PUBLICATION  
 © COPYRIGHT BY TYCO ELECTRONICS CORPORATION. ALL RIGHTS RESERVED.

### CONTACT DIMENSIONS

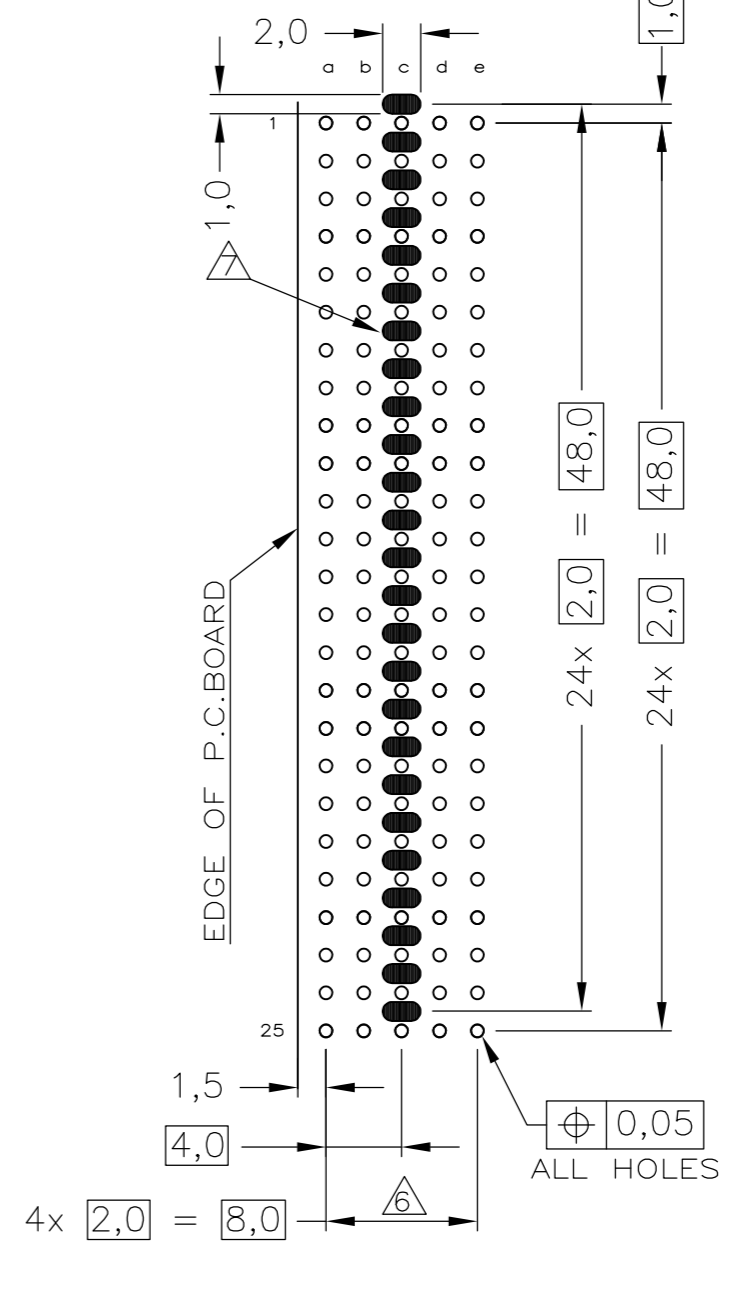


| LOC | DIST | REVISIONS     |          |     |      |
|-----|------|---------------|----------|-----|------|
| P   | LTR  | DESCRIPTION   | DATE     | DWN | APVD |
| C   |      | ECR-06-026577 | 14-11-06 | BSV | BM   |
| D   |      | ECR-10-018652 | 10SEP10  | JS  | MQW  |

### CONNECTOR ASSEMBLY EXEMPLARY LOADED



### RECOMMENDED PCB-HOLE LAY-OUT COMPONENT SIDE SHOWN



### CONTACT LAYOUT

|    | a | b | c | d | e |
|----|---|---|---|---|---|
| 1  | 1 | 1 | 1 | 1 | 1 |
| 2  | 1 | 1 | 1 | 1 | 1 |
| 3  | 1 | 1 | 1 | 1 | 1 |
| 4  | 1 | 1 | 1 | 1 | 1 |
| 5  | 1 | 1 | 1 | 1 | 1 |
| 6  | 1 | 1 | 1 | 1 | 1 |
| 7  | 1 | 1 | 1 | 1 | 1 |
| 8  | 1 | 1 | 1 | 1 | 1 |
| 9  | 1 | 1 | 1 | 1 | 1 |
| 10 | 1 | 1 | 1 | 1 | 1 |
| 11 | 1 | 1 | 1 | 1 | 1 |
| 12 | 1 | 1 | 1 | 1 | 1 |
| 13 | 1 | 1 | 1 | 1 | 1 |
| 14 | 1 | 1 | 1 | 1 | 1 |
| 15 | 1 | 1 | 1 | 1 | 1 |
| 16 | 1 | 1 | 1 | 1 | 1 |
| 17 | 1 | 1 | 1 | 1 | 1 |
| 18 | 1 | 1 | 1 | 1 | 1 |
| 19 | 1 | 1 | 1 | 1 | 1 |
| 20 | 1 | 1 | 1 | 1 | 1 |
| 21 | 1 | 1 | 1 | 1 | 1 |
| 22 | 1 | 1 | 1 | 1 | 1 |
| 23 | 1 | 1 | 1 | 1 | 1 |
| 24 | 1 | 1 | 1 | 1 | 1 |
| 25 | 1 | 1 | 1 | 1 | 1 |

P.C.B. HOLE DIM. ACTION PIN  
FOR DETAILS SEE  
APPLICATION SPECIFICATION

- NOTES:**
- 1 MATERIAL HOUSING : GREY GLASSFILLED POLYESTER  
UL-RATING V0
  - CONTACT : PHOSPHORBRONZE  
REDUCED CROSS-TALK SHIELD: PHOSPHORBRONZE
  - △ GENERAL CONTACT PLATING SPECIFICATION: UNDERPLATING (ENTIRE CONTACT):  
1,27µm NICKEL MIN. AND ACTION PIN: 0,5µm TIN MIN.  
FOR PLATING OF MATING SURFACES SEE APPLICABLE SPECIFICATION  
REFERENCE FOR EACH DASH NUMBER.  
REDUCED CROSS-TALK SHIELD PLATING: GOLD FLASH OVER 1,27µm NICKEL MIN.
  - ③ CONFORMS TO ALL TESTING ACCORDING IEC 61076-4-101  
PERFORMANCE LEVEL 2.
  - ④ CONNECTOR ASSEMBLY WITH LATCH HINGE FOR CABLE CONNECTOR.
  - ⑤ CONNECTOR PRINTED WITH PARTNUMBER AND DATECODE
  - ⑥ PLATED-THROUGH HOLES AT 2x2mm SQUARE GRID.
  - △ PLATED SPOT ONLY ON COMPONENT SIDE, FORMING ONE CONTACT  
WITH PLATED THROUGH HOLES OF ROW C

|                |               |
|----------------|---------------|
| △/3            | 1-5352272-1 △ |
| △/3            | 5352272-1     |
| CONTACT FINISH | PART NUMBER   |

|  |  |                            |   |           |
|--|--|----------------------------|---|-----------|
| THIS DRAWING IS A CONTROLLED DOCUMENT. |  | DWN 23AUG2004<br>K.N.KIRAN | Tyco Electronics Corporation<br>s-HertogenBosch, Netherlands, |           |
| DIMENSIONS: mm                         |  | CHK 23DEC2004<br>B.MOOIJ   | NAME  |           |
| TOLERANCES UNLESS OTHERWISE SPECIFIED: |  | APVD 23DEC2004<br>B.MOOIJ  | Z-PACK 2mm HM TYPE B  |           |
| 0 PLC ±                                |  | PRODUCT SPEC               | 125 POS. RIGHT ANGLE MALE CONNECTOR                           |           |
| 1 PLC ± ±                              |  | APPLICATION SPEC           | WITH REDUCED CROSS-TALK SHIELDS                               |           |
| 2 PLC ± ± ±0.2                         |  | 108-19082                  | SIZE  | CAGE CODE |
| 3 PLC ± ±                              |  | 114-19029                  | A2  | 00779     |
| 4 PLC ± ±                              |  | WEIGHT                     | DRAWING NO  |           |
| ANGLES ± ±                             |  | -                          | C=5352272   |           |
| FINISH                                 |  | CUSTOMER DRAWING           | SCALE   | SHEET     |
| -                                      |  |                            | 5:1   | 1 of 1    |
|  |  |                            | REV   | D         |